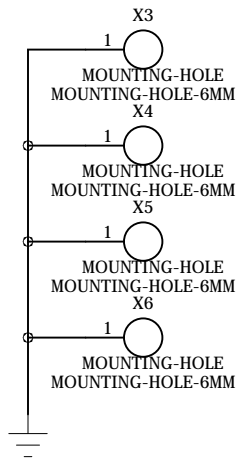
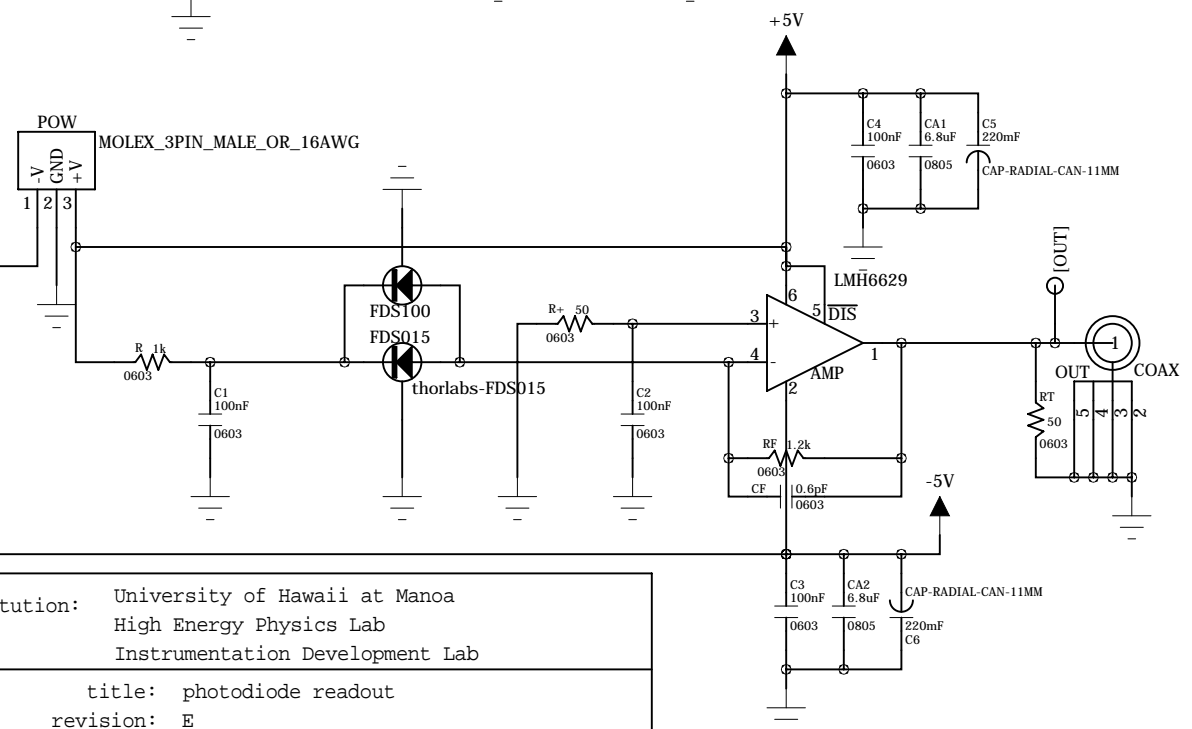
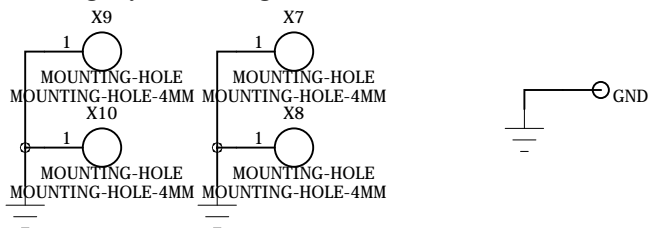


30 mm cage system (also good for M6 SHCS):



16 mm cage system (also good for 6-32 SHCS):



institution:	University of Hawaii at Manoa High Energy Physics Lab Instrumentation Development Lab
title:	photodiode readout
revision:	E
IDLAB design #:	IDL_20_050
circuit design:	mza
PCB design:	mza
sheet #:	1 of 1
sheet description:	BOARD
date last modified:	2020-10-27