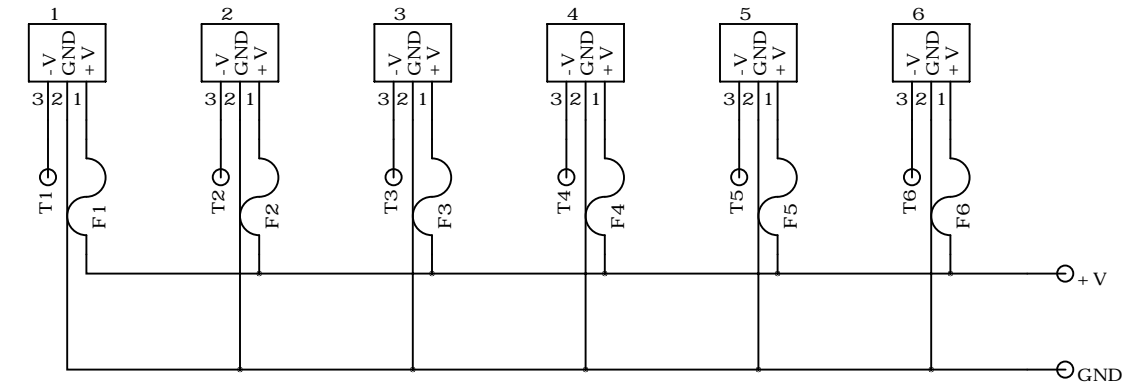


MOLEX_3PIN_MALE MOLEX_3PIN_MALE MOLEX_3PIN_MALE MOLEX_3PIN_MALE MOLEX_3PIN_MALE MOLEX_3PIN_MALE



institution: University of Hawai'i at Manoa
 High Energy Physics Group
 Instrumentation Development Lab

title: mini-fit jr 3pos rail
 revision: B
 IDLAB design #: IDL_20_012
 circuit design: mza
 PCB design: mza

sheet #: 1 of 1
 sheet description: THE_SCHEMATIC
 date last modified: 2020-02-28

