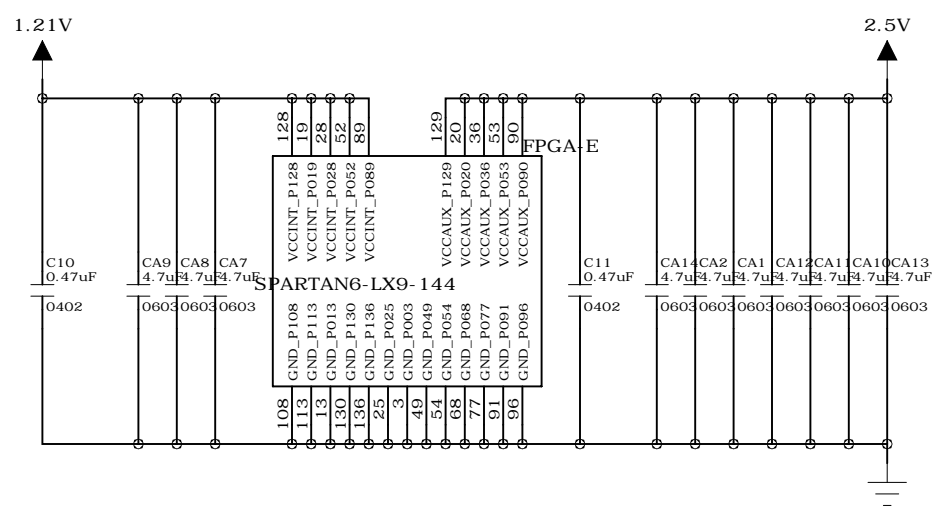
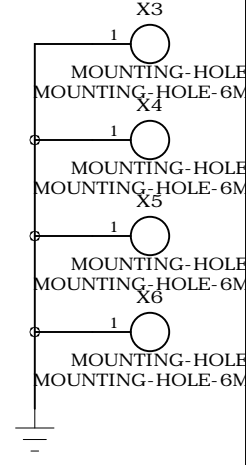
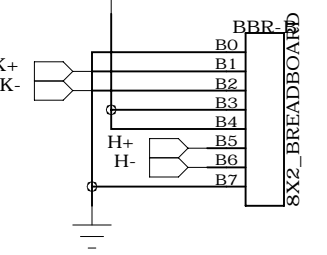
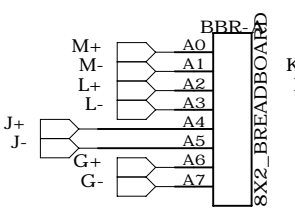
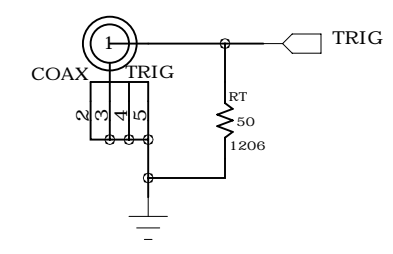
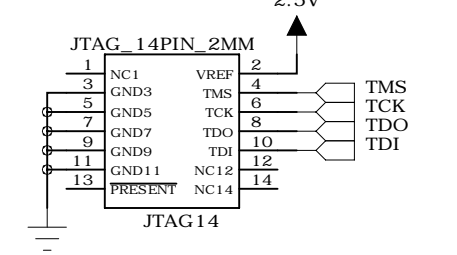
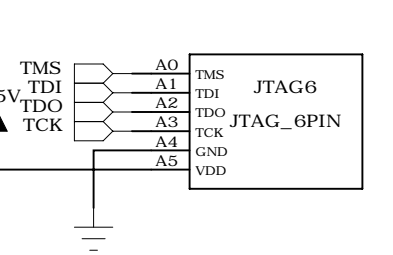
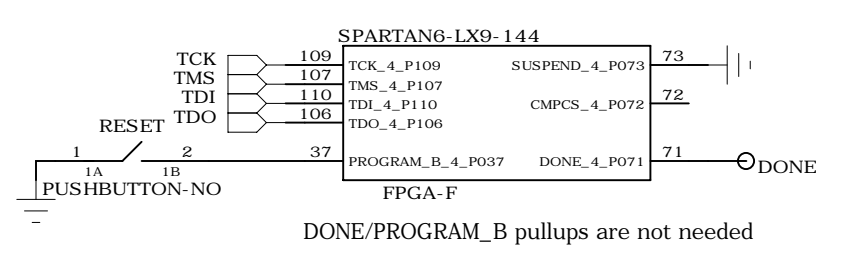
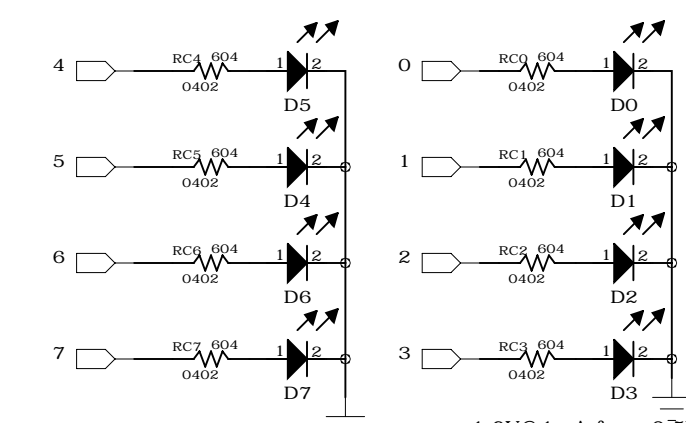
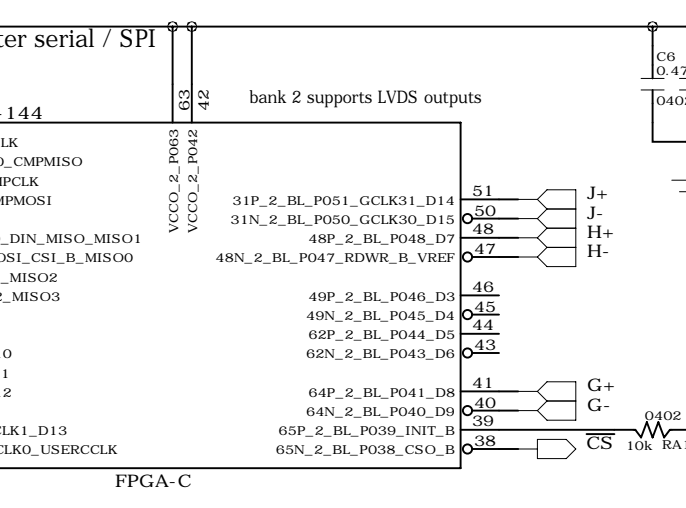
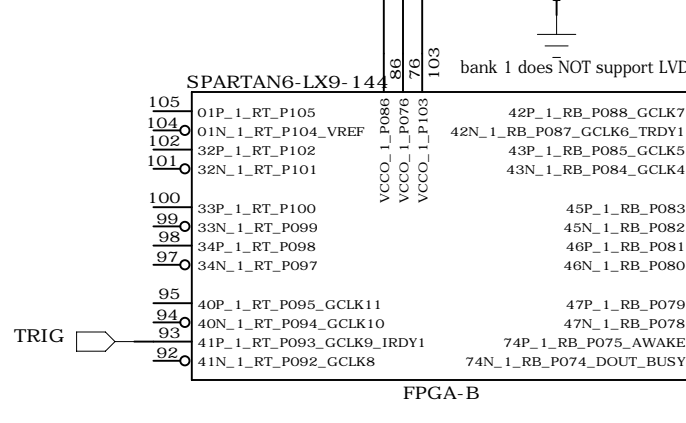
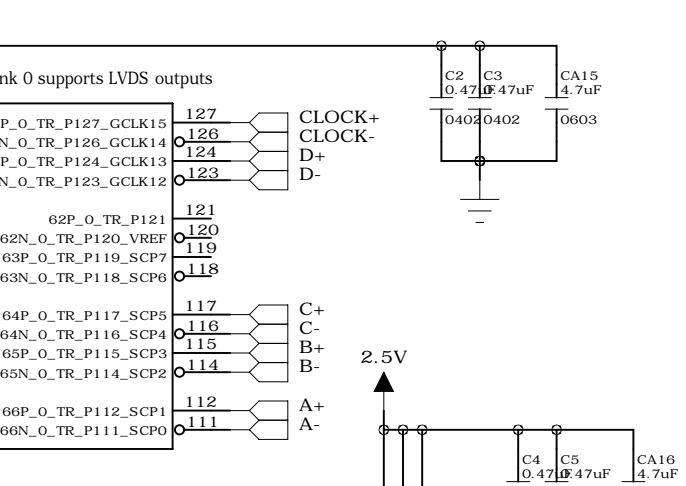
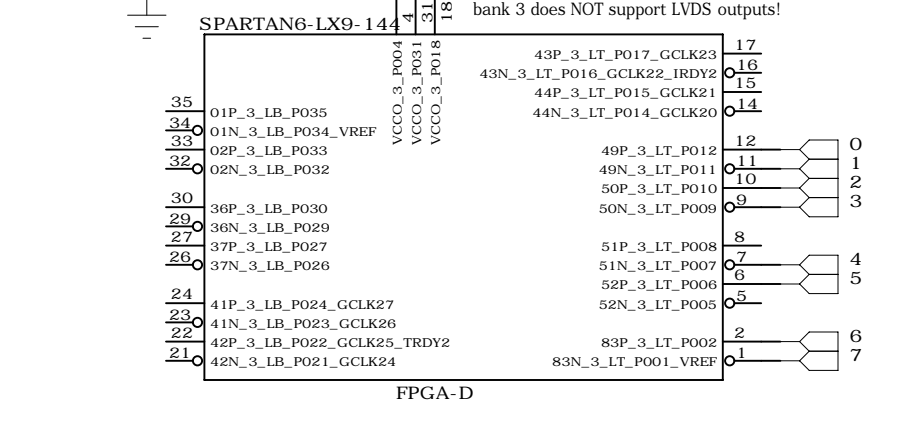


2019-08-28 notes for revB:
 1008 22uF caps don't exist, so change to 0805/10uF or 1206/22uF
 power connector is wired backwards compared to other boards that use the same connector
 spi flash doesn't support x4 mode, so it might be better to find an alternate part that has more bits
 spi flash is miswired (mosi and miso are reversed)



orange= 1.9V@1mA from 2.5V bank

institution:	University of Hawaii at Manoa High Energy Physics Lab Instrumentation Development Lab
title:	althea
revision:	A'
IDLAB design #:	IDL_18_040
circuit design:	mza
PCB design:	mza
sheet #:	1 of 1
sheet description:	FPGA
date last modified:	2019-08-28