

6

5

4

3

2

1

E

E

D

D

C

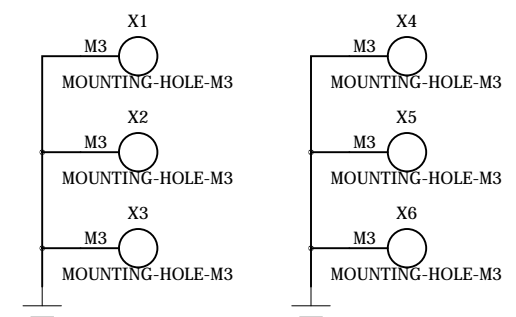
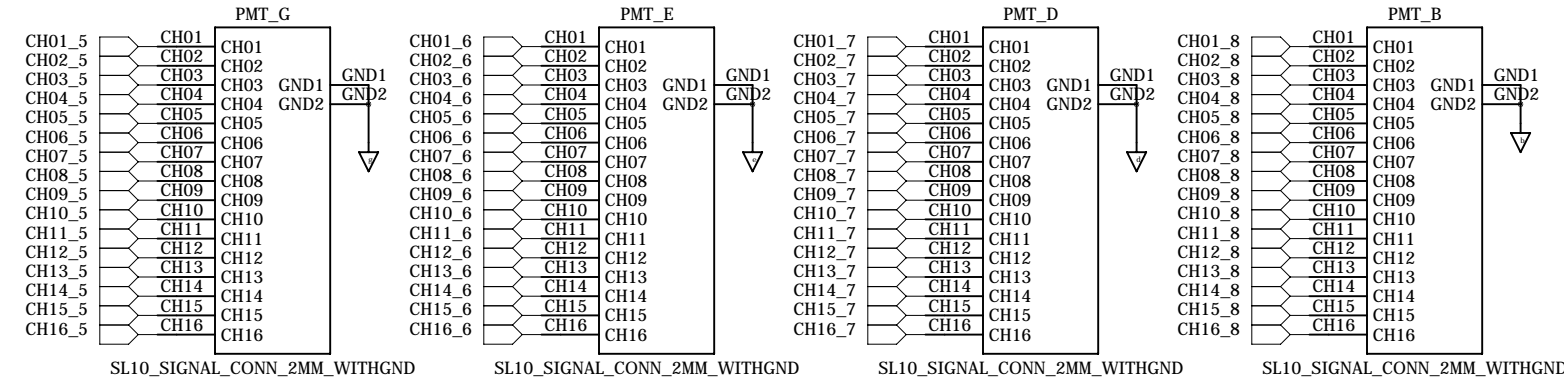
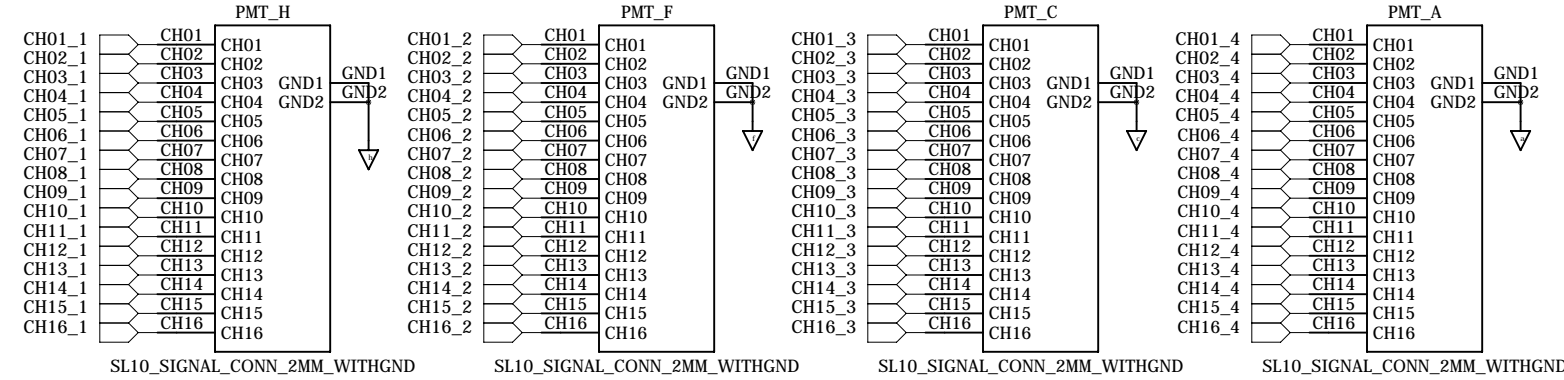
C

B

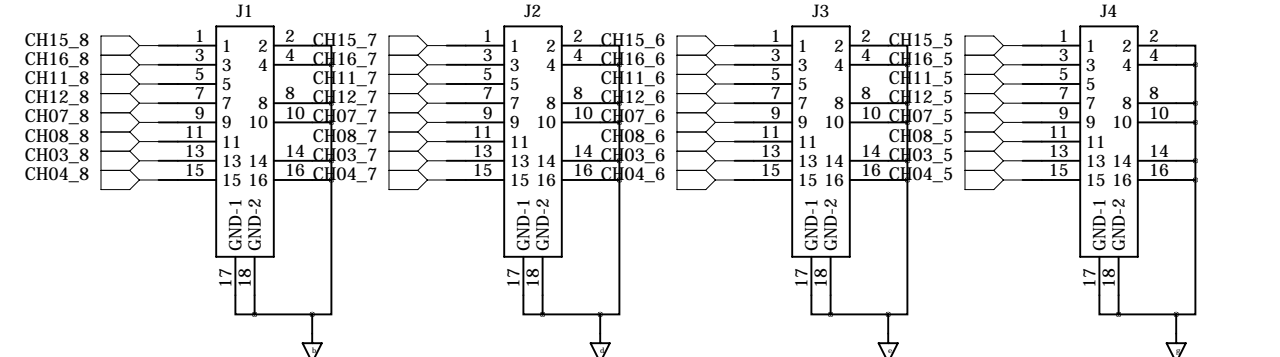
B

A

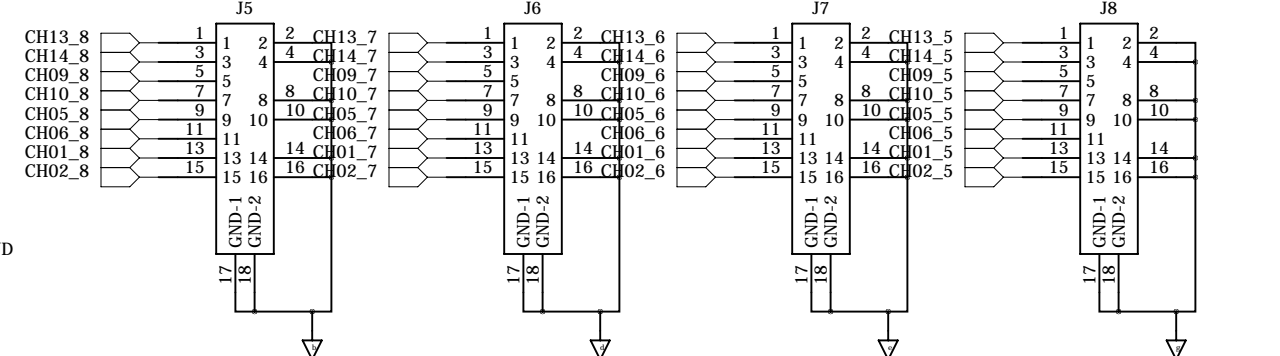
A



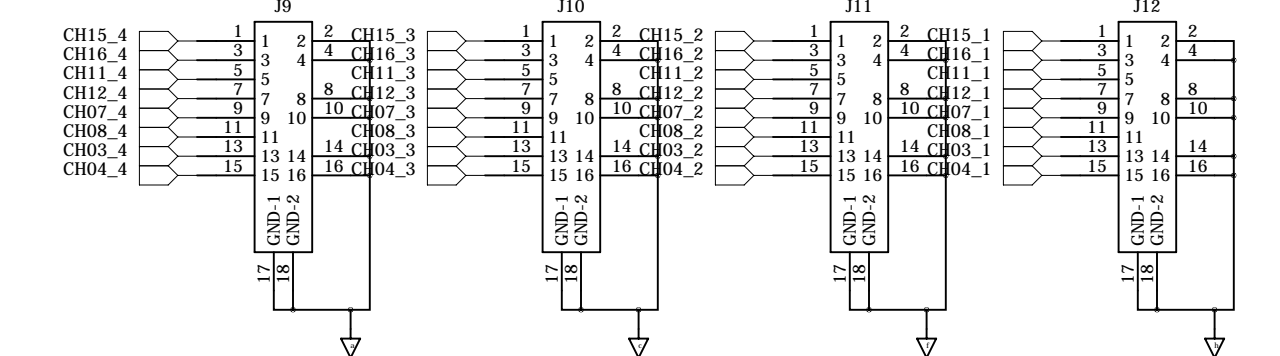
2MM_SMD_16PIN_VERTCONN_MISSTM5PADS6PIN_VERTCONN_MISSTM5PADS6PIN_VERTCONN_MISSTM5PADS6PIN_VERTCONN_MISSTM5PADS6PIN_VERTCONN_MISSING_2_PADS



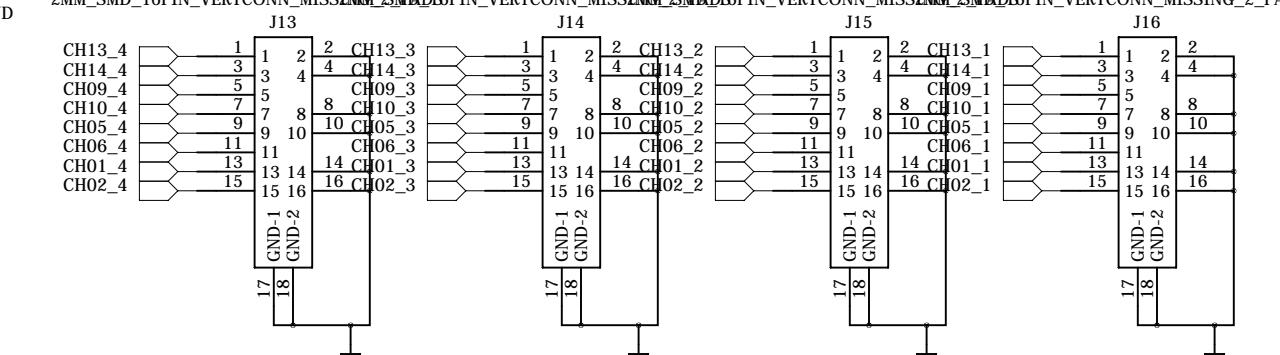
2MM_SMD_16PIN_VERTCONN_MISSTM5PADS6PIN_VERTCONN_MISSTM5PADS6PIN_VERTCONN_MISSTM5PADS6PIN_VERTCONN_MISSTM5PADS6PIN_VERTCONN_MISSING_2_PADS



2MM_SMD_16PIN_VERTCONN_MISSTM5PADS6PIN_VERTCONN_MISSTM5PADS6PIN_VERTCONN_MISSTM5PADS6PIN_VERTCONN_MISSTM5PADS6PIN_VERTCONN_MISSING_2_PADS



2MM_SMD_16PIN_VERTCONN_MISSTM5PADS6PIN_VERTCONN_MISSTM5PADS6PIN_VERTCONN_MISSTM5PADS6PIN_VERTCONN_MISSTM5PADS6PIN_VERTCONN_MISSING_2_PADS



institution: University of Hawai'i at Manoa
 High Energy Physics Group
 Instrumentation Development Lab

title: front-back
 revision: C
 IDLAB design #: IDL_13_002
 circuit design: ljr, mza
 PCB design: ljr, mza

sheet #: 1 of 1
 sheet description: CONNECTORS
 date last modified: 2013-02-03