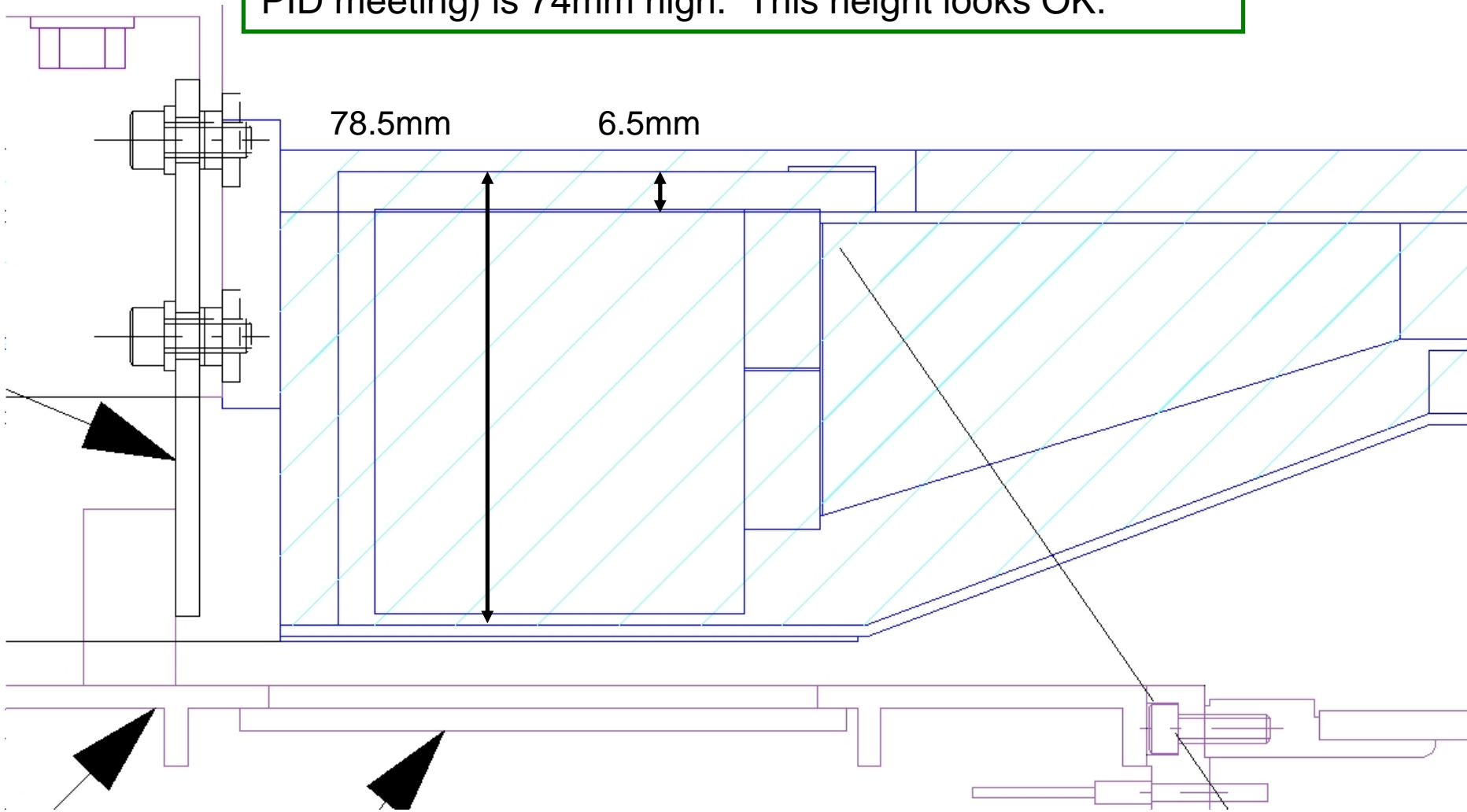
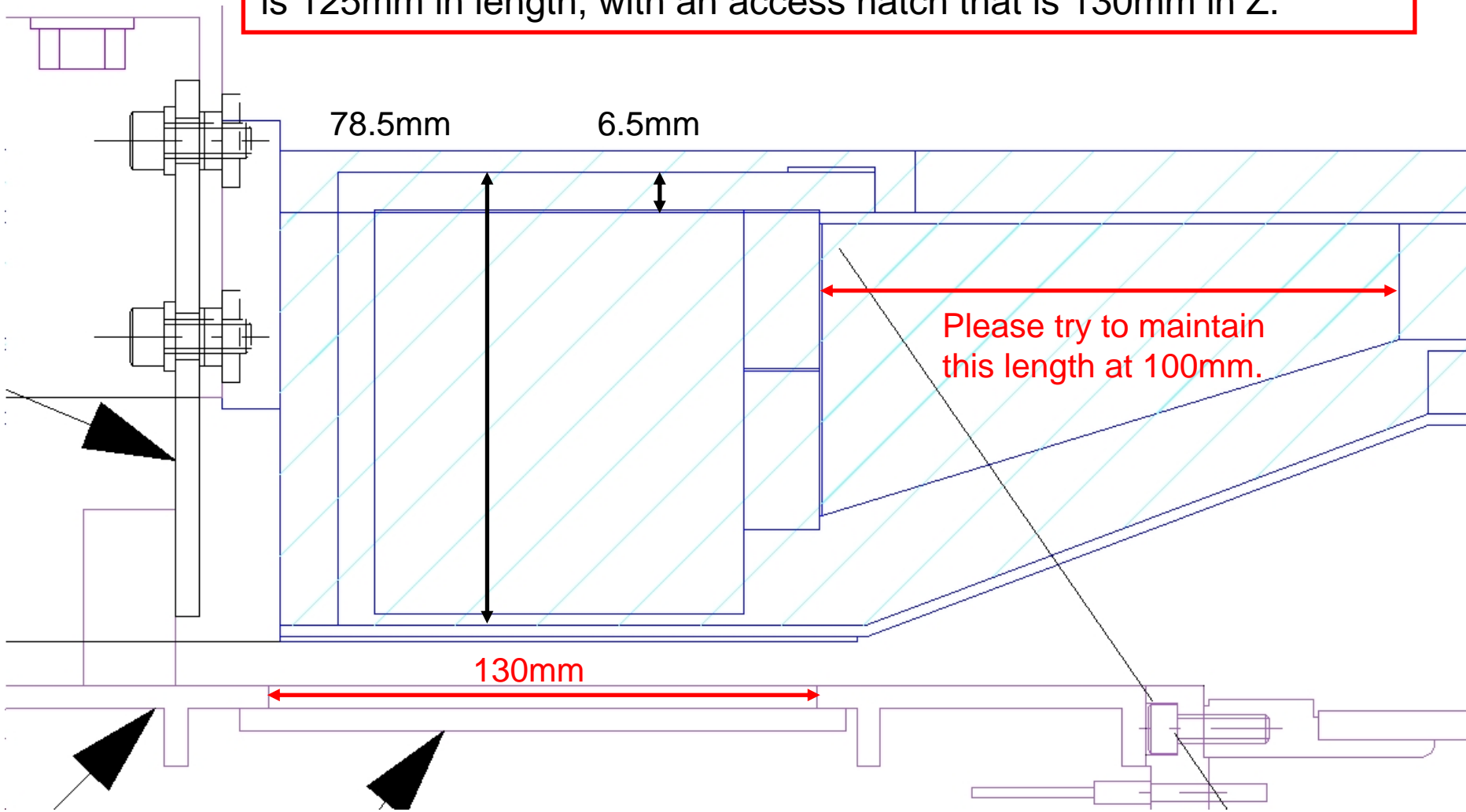


The requested dimension for the final readout (July 21 PID meeting) is 74mm high. This height looks OK.



IDS-TOP2010827R4.dwg

The requested dimension for the final readout (July 21 PID meeting) is 125mm in length, with an access hatch that is 130mm in Z.



IDS-TOP2010827R4.dwg