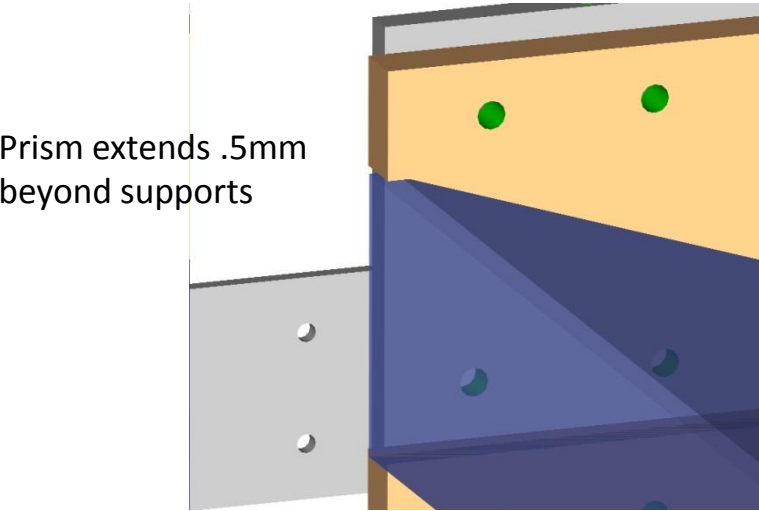
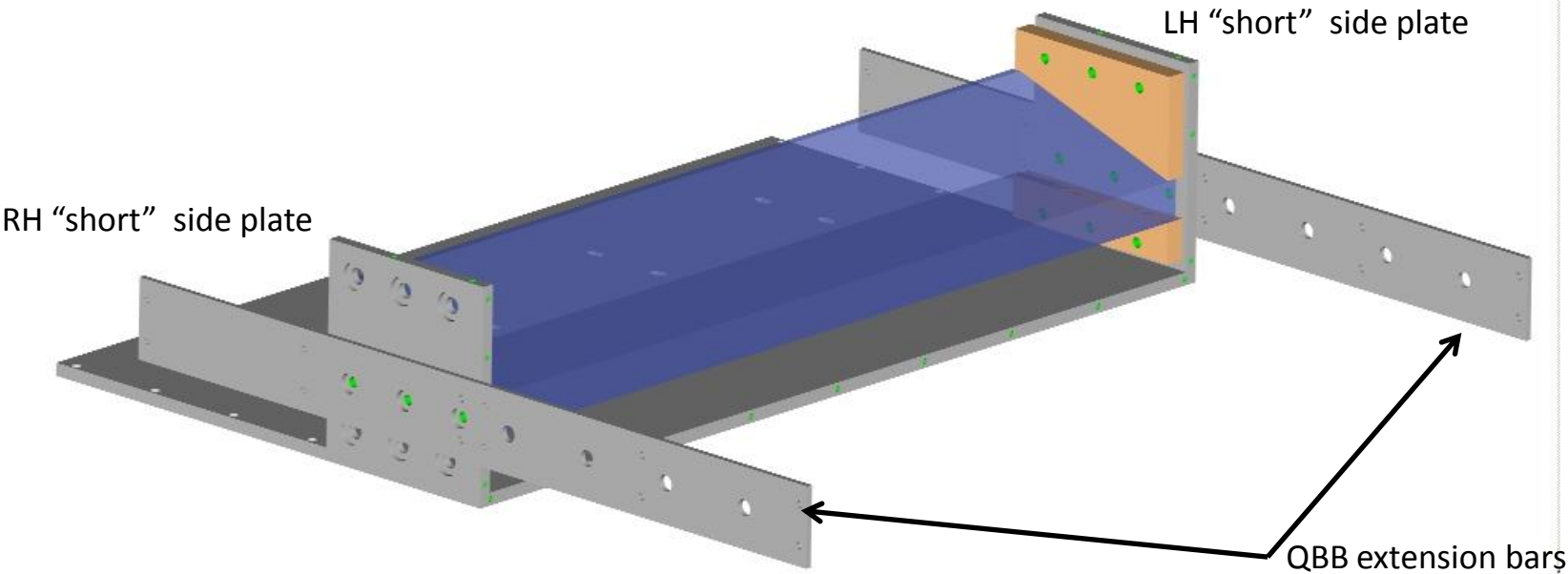


Readout chassis in optical grease configuration.



Readout chassis with "long" side plates included (following optical coupling).

Joint between short and long side plates.

