

18-OCT-2010

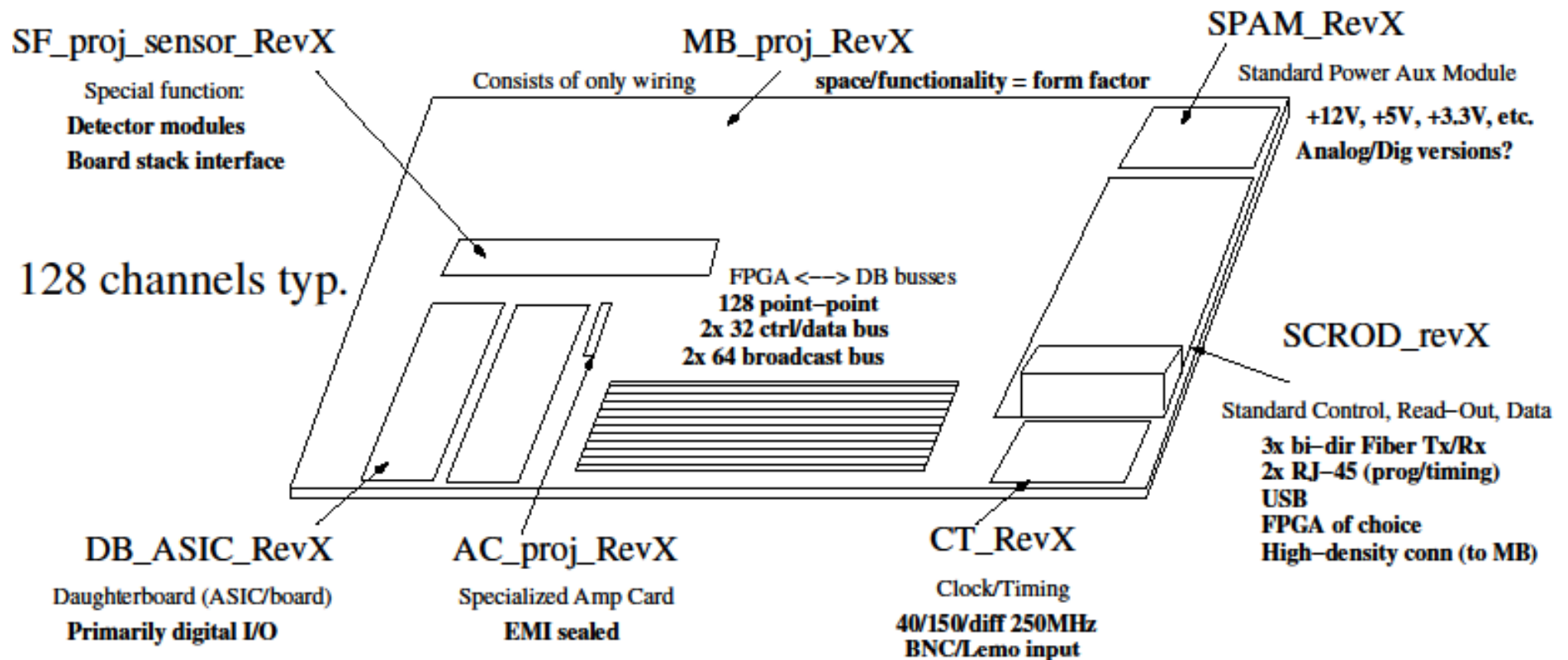
Gary Varner

Specifications for the
iTOP readout variant
BLAB3A basis

IDL Consolidated Board Management System (ICBMS)

(a proposal — suggestions how to improve welcome)

This time, the front-end board stacks. Next time, the back-end.



BS_proj_RevX

Board, Special (DB)

Standard ADCs

Multi-DB functionality (e.g. MUX)

Relevant Projects

- 1) xFEL Readout (formerly ROE+...) [128 channels]
- 2) eKLM prototype Readout [150 channels]
- 3) mTimeCube Readout [6x 128 channels]
- 4) iTOP proto Readout [7x 16? channels]
- 5) ATF2 xRay Readout [128 channels]
- 6) fDIRC CTA Readout [7x 128 channels]

How to track all of these?

The screenshot shows a Google Spreadsheet with the following data:

	A	B	C	D	E	F
1	IDLAB unique identifier	human-readable name	human-readable description	date initiated	date shipped	initiator project(s)
2	IDL_10_001	CHAMP_EVAL		2010-09		LAPPD / TEDA / GRAPH
3	IDL_10_002	KLM 15 channel test card		2010-09		KLM
4	IDL_10_003	KLM 15 channel KLM amp carrier		2010-08		KLM
5	IDL_10_004	KLM amp	bipolar transistor amplifier; 400MHz bandwidth; 16 pin 2mm header	2010-08	8/10/2010	KLM
6						
7						
8						
9						
10						
11						
12						
13						
14						

Below the table, there is a control to add more rows: "Add 20 more rows at bottom."

Overlaid on the bottom half of the spreadsheet is the following text in red:

ID Lab Unique Identifier numbers

Shown page is Manifest

The bottom of the screenshot shows a search bar with the text "idlab.manifest" and "IDLAB unique identifier" on the right. Below the search bar, there are navigation controls: "Find: jadrán", "Next", "Previous", "Highlight all", and "Match case". The status bar at the very bottom says "Stopped".

Example: KLM 15 Ch. Amp test card

Formula: IDLAB unique identifier

	A	B	C	D	E	F
1	IDLAB unique identifier	human-readable name	human-readable description	date initiated	date shipped	initiator project(s)
2	IDL_10_001	CHAMP_EVAL		2010-09		LAPPD / TEDA / GRAPH
3	IDL_10_002	KLM 15 channel test card		2010-09		KLM
4	IDL_10_003	KLM 15 channel KLM amp carrier		2010-08		KLM
5	IDL_10_004	KLM amp	bipolar transistor amplifier; 400MHz bandwidth; 16 pin 2mm header	2010-08	8/10/2010	KLM
6						
7						
8						
9						
10						
11						
12						
13						
14						

Add 20 more rows at bottom.

ID Lab Unique Identifier = IDL_10_002

The year made →

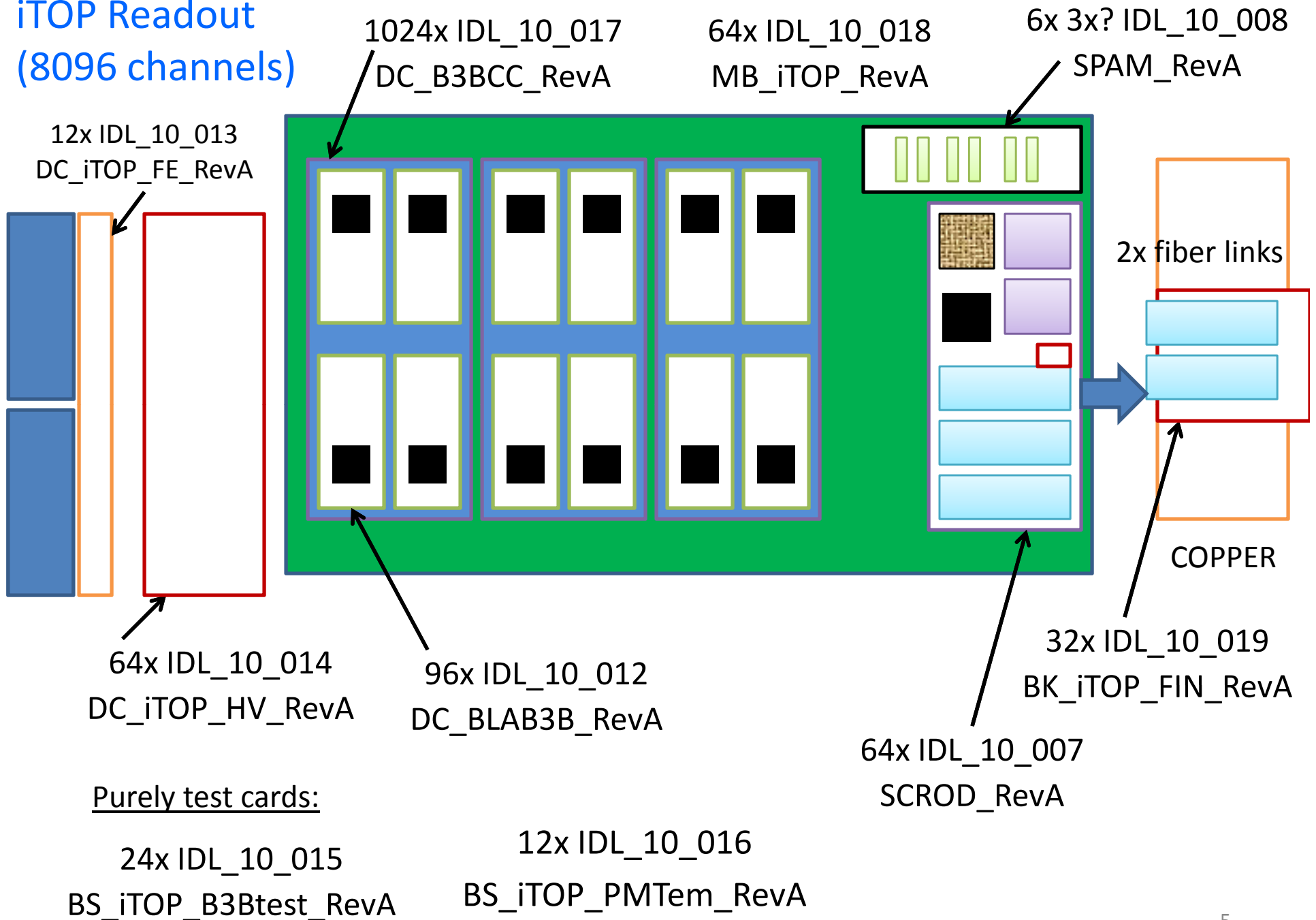
Sequence enumerator →

idlab.manifest IDLAB unique identifier

Find: jadran Next Previous Highlight all Match case

Stopped

iTOP Readout (8096 channels)



mTC BLAB3A card = IDL_10_012

Enumeration	Designator	Descriptor
IDL_10_012_00	HRD	Human Readable Document (describe descendant design, revision info)
IDL_10_012_01	ICD	Interface Control Document (all a designer needs to know if treat board as black box – typically spreadsheet of pins with their function defined)
IDL_10_012_02	Schematics (source)	Typically PADS
IDL_10_012_03	Schematics (PDF)	Easily viewable rendering
IDL_10_012_04	Layout (PADS)	Current edited version
IDL_10_012_05	Gerbers	As submitted for fabrication
IDL_10_012_06	BOM	Bill of Materials (complete)
IDL_10_012_07	DXF	Board outline/mounting holes (opt.)
IDL_10_012_08	Firmware descriptor	Human readable: revisions, etc.
IDL_10_012_09	Firmware (source)	Current source or SVN/CVS link
IDL_10_012_10	Software (source)	Current source or SVN/CVS link With human readable descriptor

And more as needed

Backup Slides

Further room for documentation...

