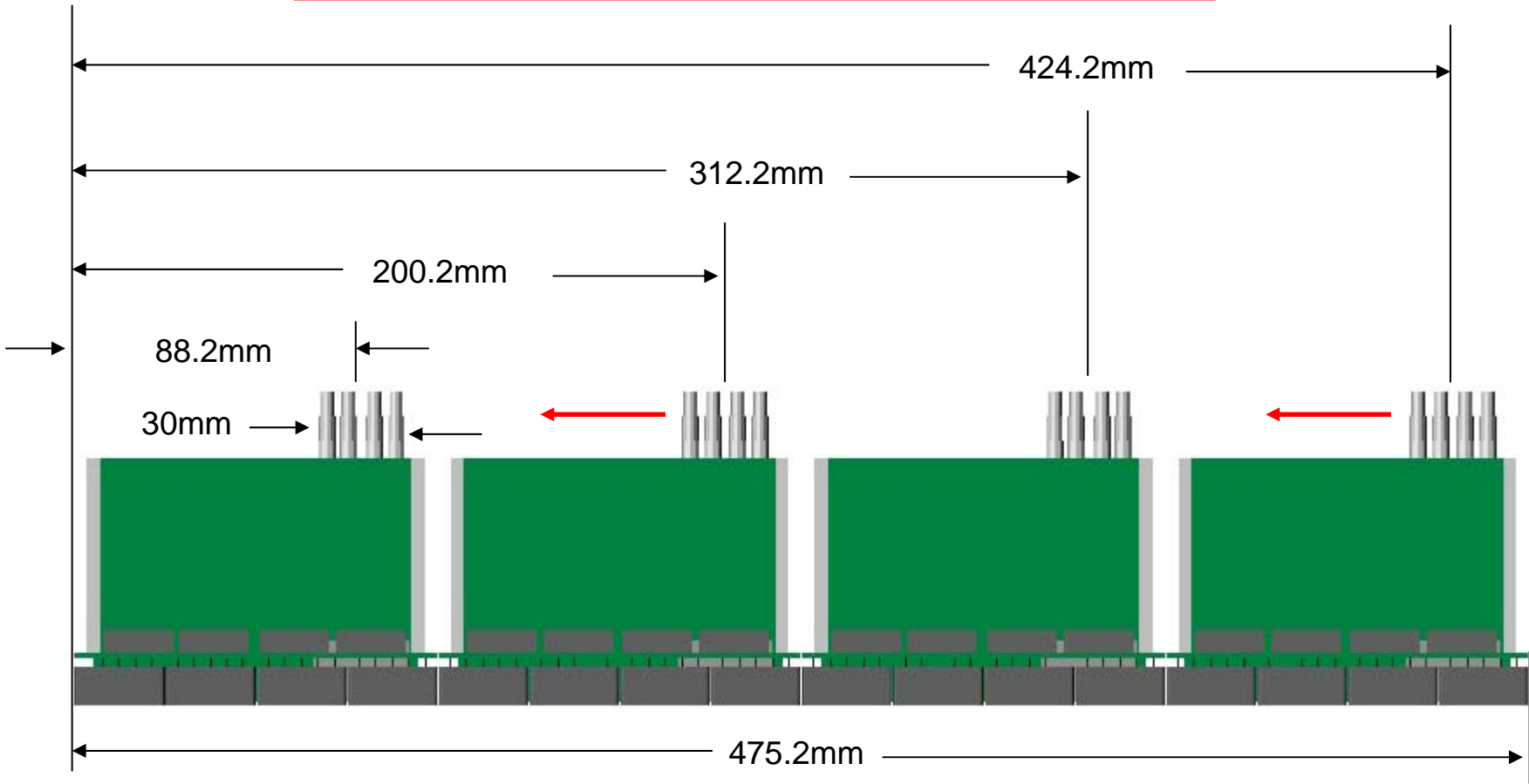


Top view of new electronics showing the positions of the fiber transceivers and overall width_030111.

Suzuki-san and Kohriki-san would like to see the fibers clustered into two ingress/egress positions.



Revisiting an early (circa Jan. '10) lateral and end coupling will eliminate the current height crunch!

side wall of electronics enclosure

