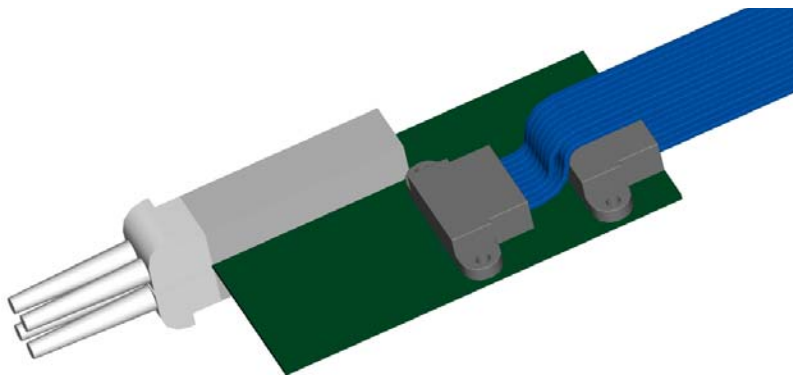
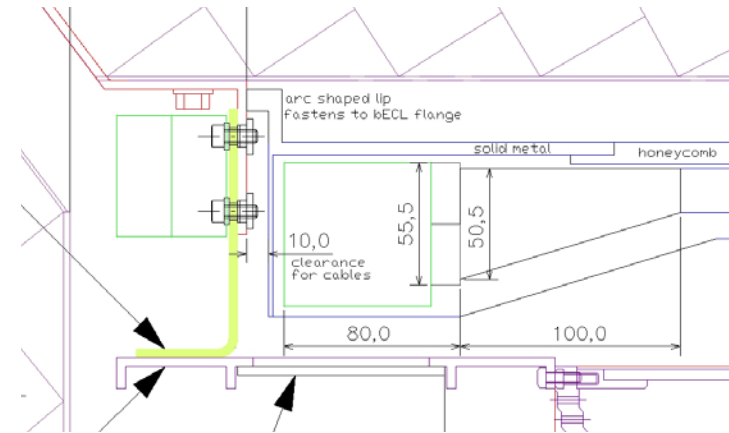
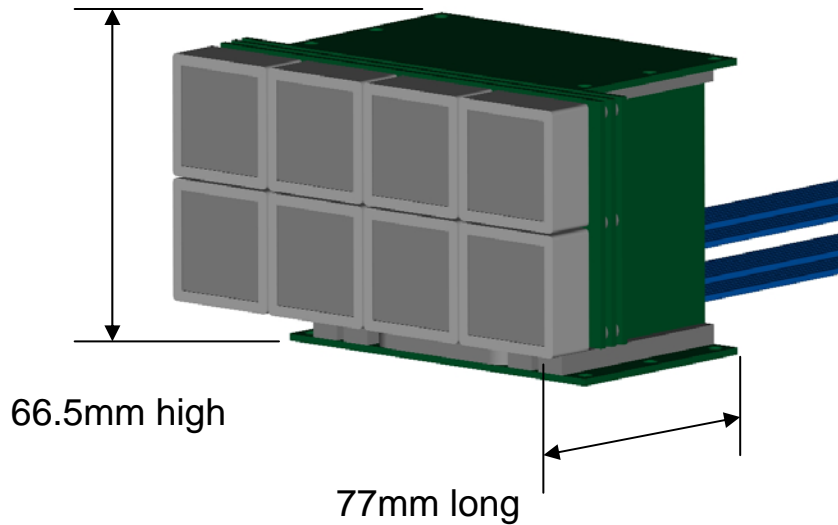


# Front-end 2x4 module with PMTs (all large connectors eliminated)



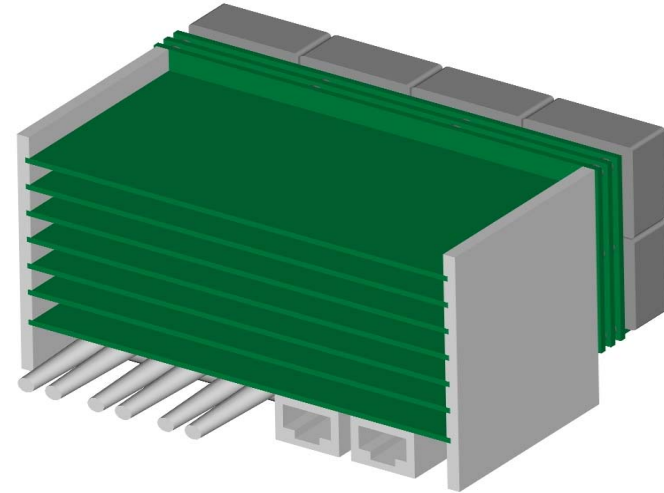
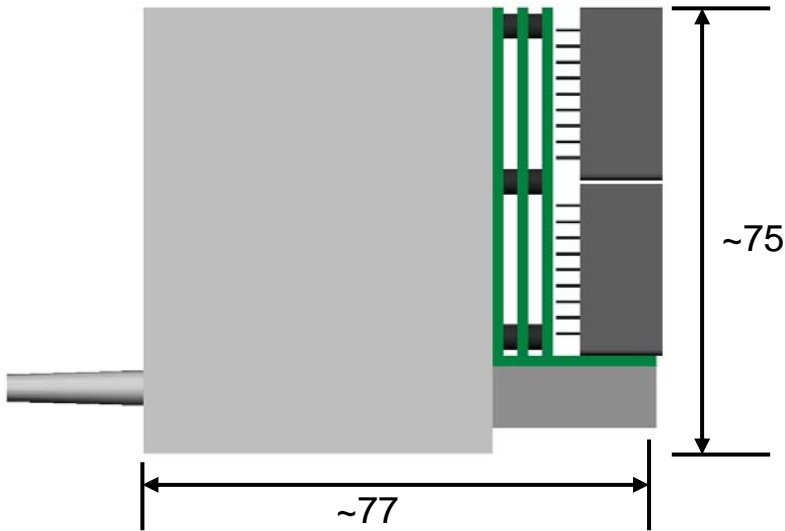
Transceiver module: 100mm x 55mm x 25mm

- The target goal for overall length has been achieved.
- The overall height is  $\sim 1.5\text{mm}$  > than goal.

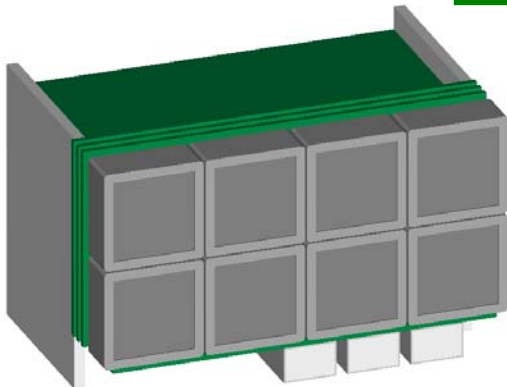
Originally presented at  
PID\_up March 17, '10

## bPID Mechanical Update:

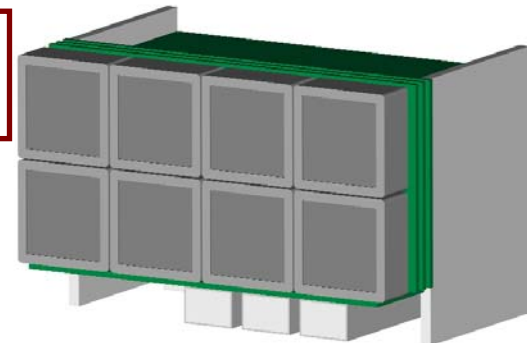
- Electro-Mechanics: new SL-10 2x4 concept



~length is same and height is increased by ~1cm

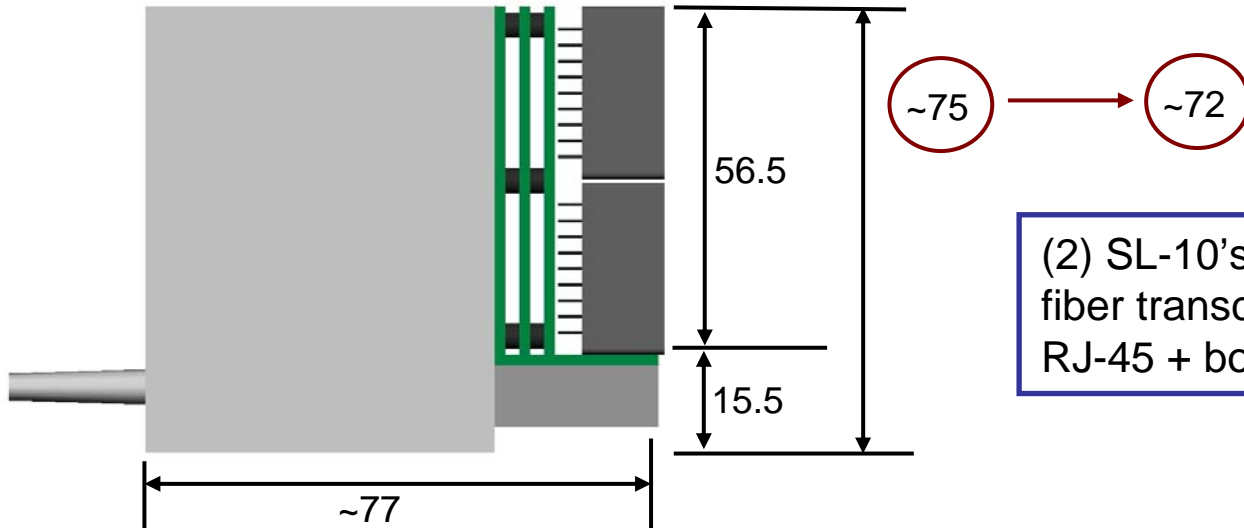


Originally presented at  
PID\_up\_HI Sept 4, '10



## bPID Mechanical Update:

- Electro-Mechanics: new SL-10 2x4 concept



~length is same and height is increased by ~5.5mm

