

List of purchases:

St. Gobain, 8/1/11, PO Z998302, total = \$535.00

350pcs of BCF-12 fiber, diamond machined to 150mm @ \$1.30/ea.

500ml BC-620 reflective paint @ \$80/ea.

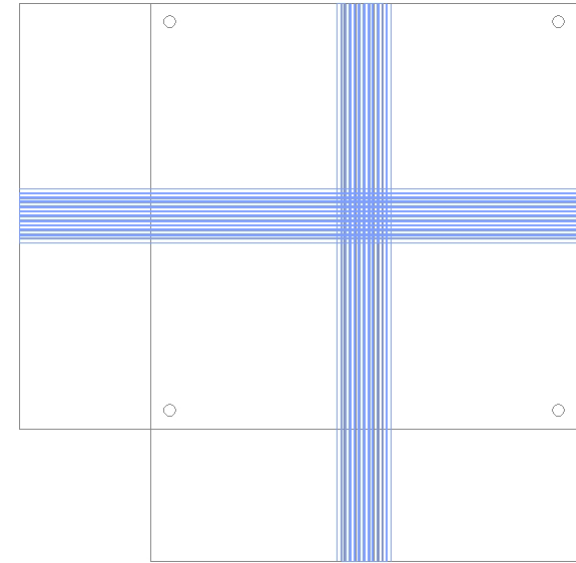
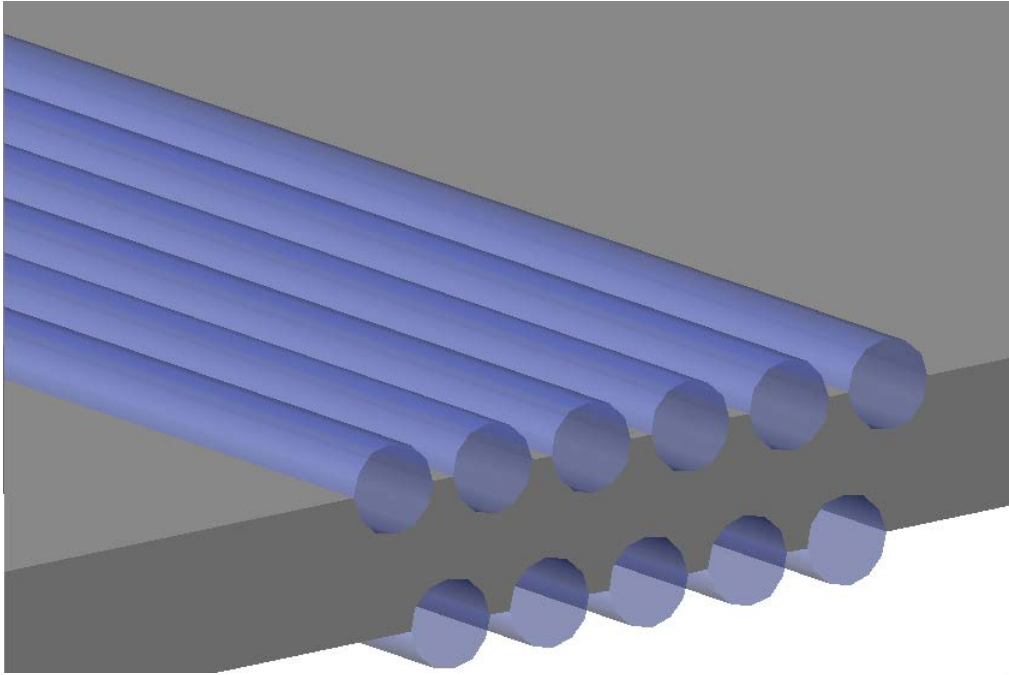
Digikey, 12/5/11, 3 bud boxes + lids, CC purchase, \$256.10.

UH Chemstore, Nov-Dec 2011, \$150.00.

Norland Products, Oct 2011, UV adhesive system, ~\$2k.

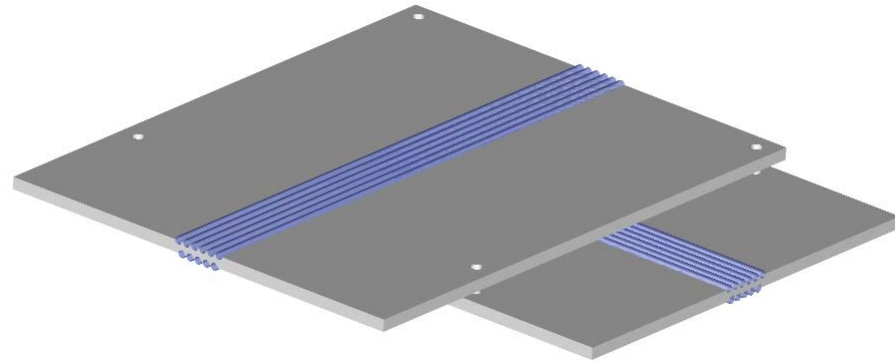
Total: ~\$3k

Original CAD concepts



11 x 2mm fibers per plate
on 2.5mm centers.

Vertex region = 17.5mm^2



Lessoned learned:

Integrated assembly concept, which did not work due to a connector mismatch between the tracker plate readout boards and the mother board.

Modified corner brackets eventually allowed the entire assembly to be mounted in the bud boxes.

