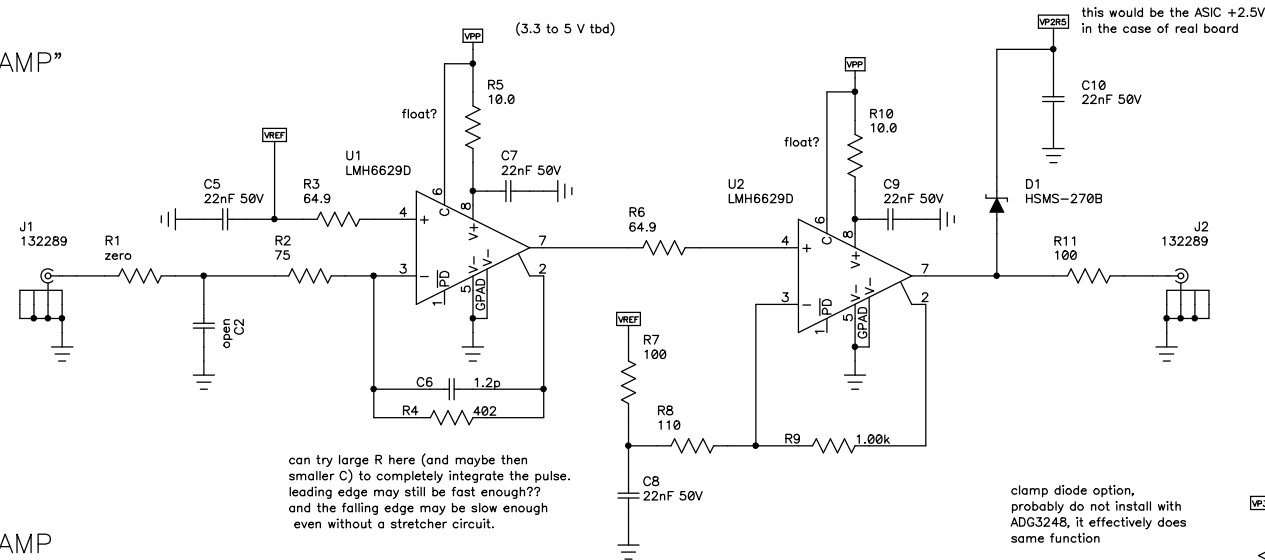


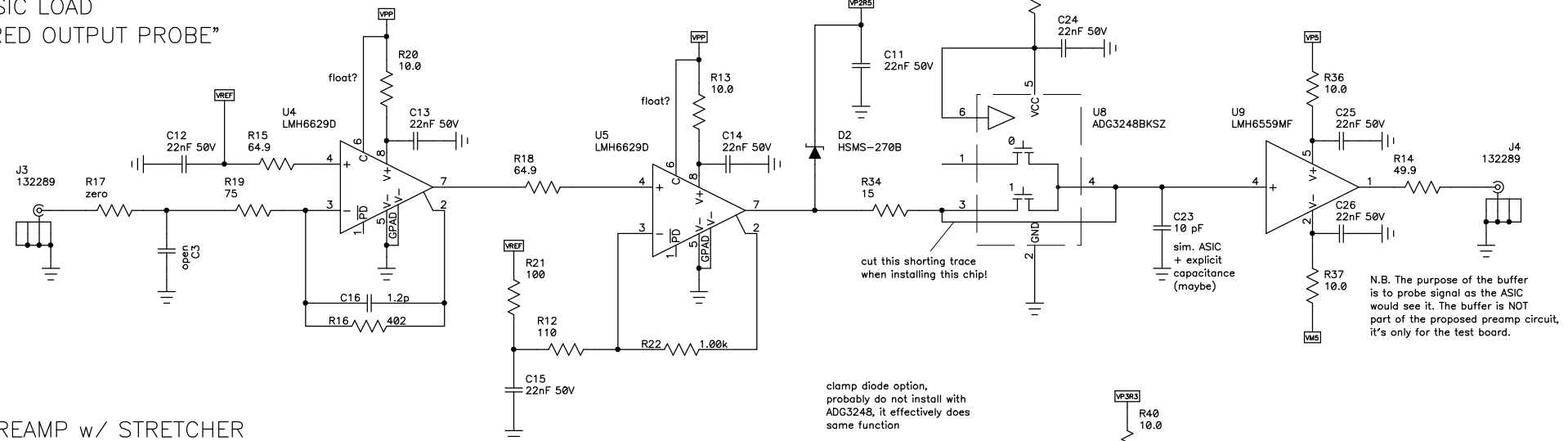
"FINAL PREAMP"



can try large R here (and maybe then smaller C) to completely integrate the pulse. leading edge may still be fast enough?? and the falling edge may be slow enough even without a stretcher circuit.

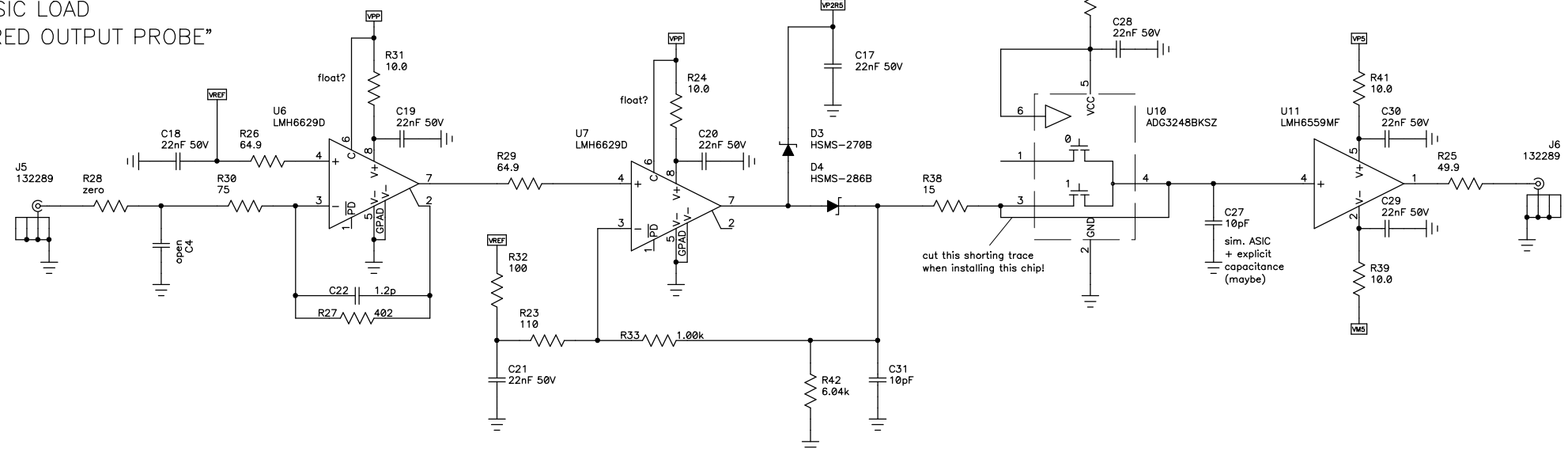
clamp diode option, probably do not install with ADG3248, it effectively does same function

"FINAL PREAMP w/ MUX/ASIC LOAD w/ BUFFERED OUTPUT PROBE"

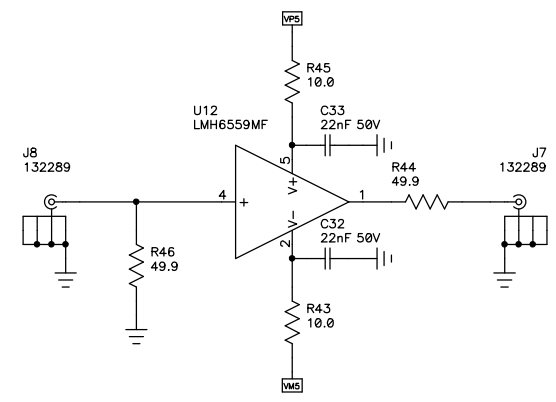


N.B. The purpose of the buffer is to probe signal as the ASIC would see it. The buffer is NOT part of the proposed preamp circuit, it's only for the test board.

"INTERIM PREAMP w/ STRETCHER w/ MUX/ASIC LOAD w/ BUFFERED OUTPUT PROBE"



"BUFFER TEST"



{Company Name}			
Title {Title}			
Size C	Number {Drawing Number}	Rev {Revision}	
Date {Date}	Drawn by {Drawn By}	Eng. {Engineer}	
Filename PMT_preamp_test_board.sch		Sheet 1 of 1	