

Power Module
slides in from side

RJ45

SMA

JTAG

Cooling Fans

MATERIAL:
6061 Al. Alloy

UNLESS OTHERWISE SPECIFIED:
DIMENSIONS ARE IN INCHES
TOLERANCES: ± .005

DO NOT SCALE DRAWING

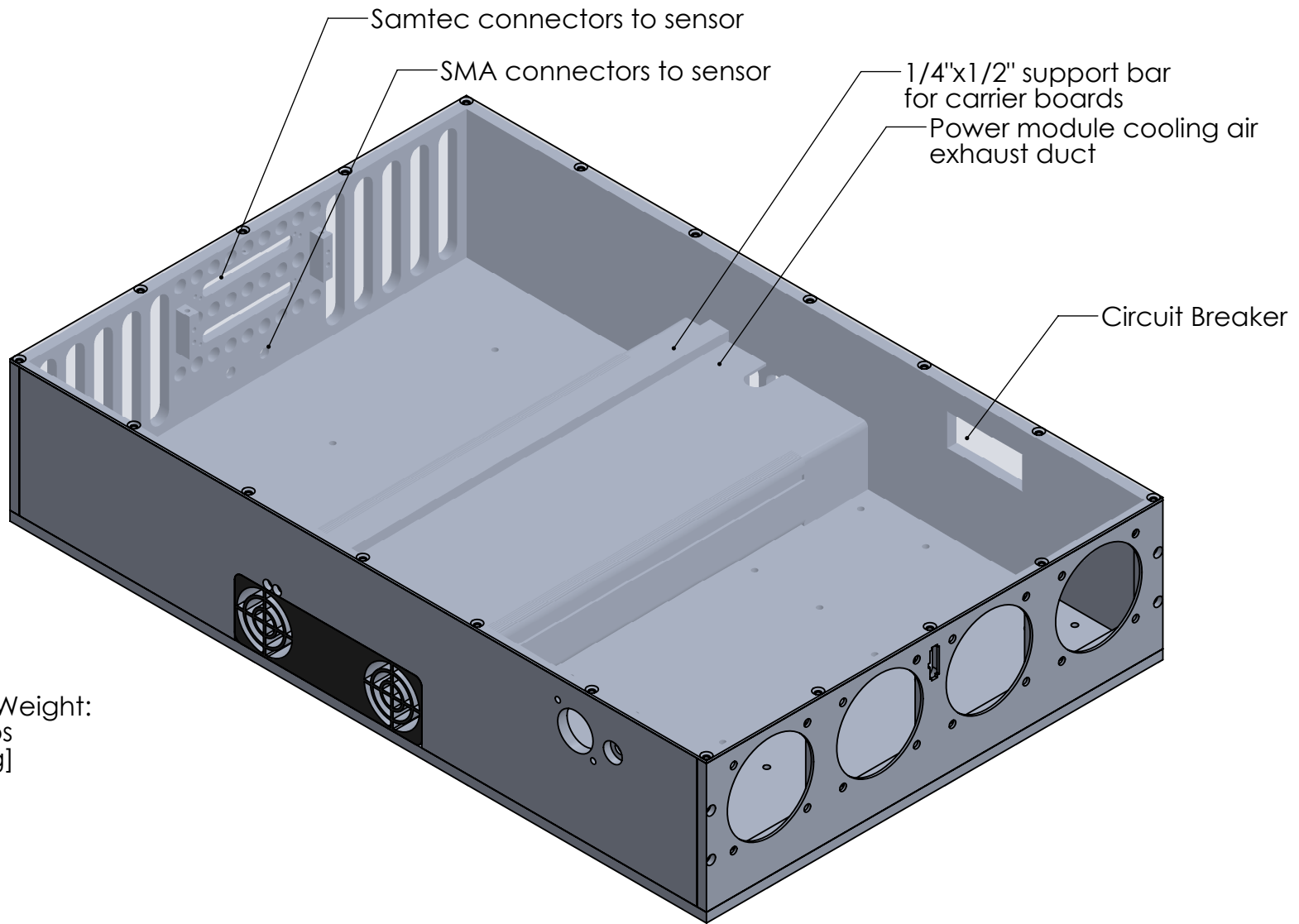
Chris Ketter
cketter@hawaii.edu
High Energy Physics ID Lab
2505 Correa Rd.
Honolulu, HI 96822

PROJECT:
XRM Electronics Housing

DESCRIPTION:
Main Box

P/N:
XRM0xx
9/24/2014 SHEET 1 OF 1





Empty Weight:
12.44 lbs
[5.65 kg]

PROJECT:
XRM Electronics Housing

DESCRIPTION:
Main Box

P/N:
XRM0xx

9/24/2014 SHEET 1 OF 1



UNIVERSITY
of HAWAII
MĀNOA

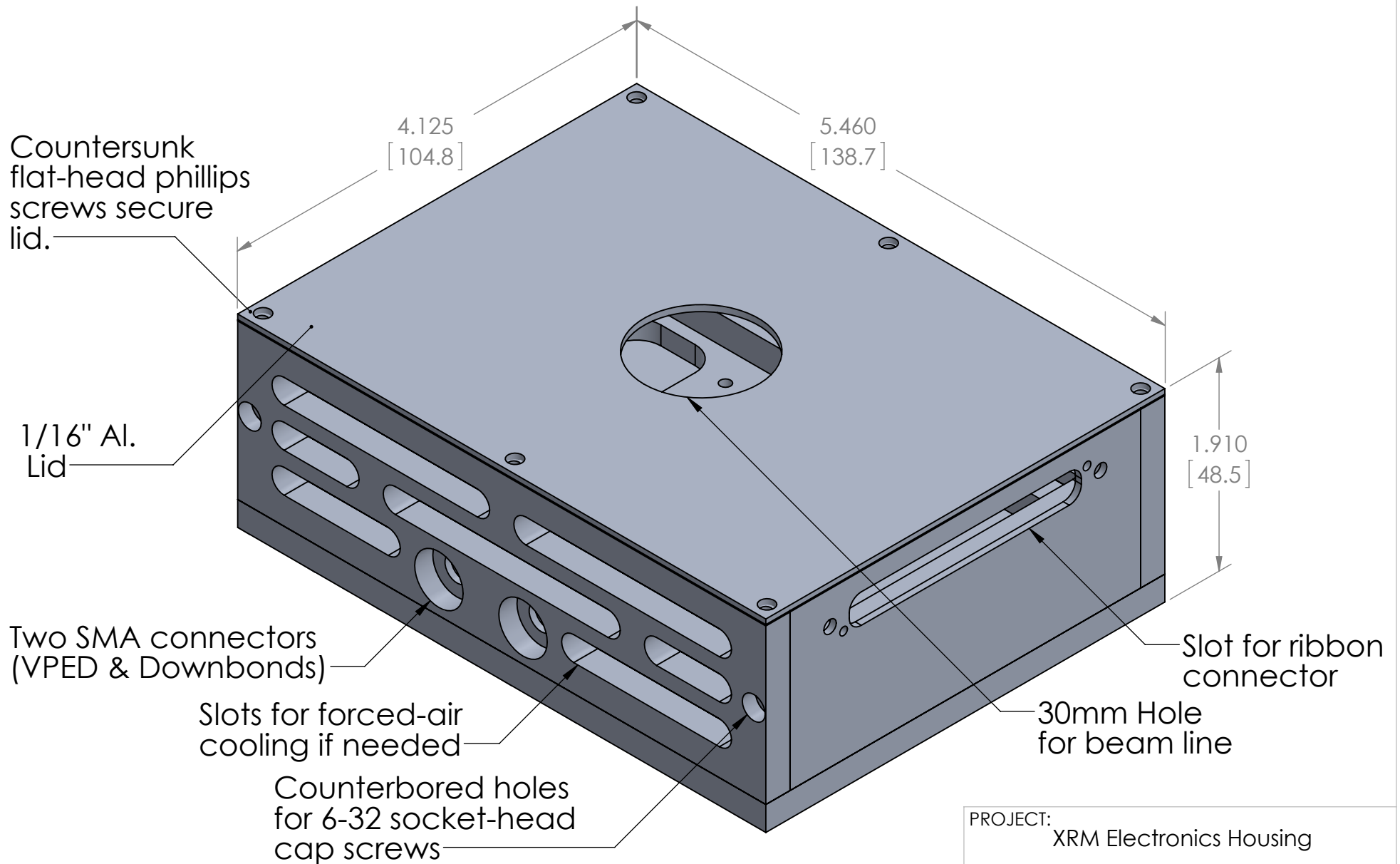
MATERIAL:
6061 Al. Alloy

UNLESS OTHERWISE SPECIFIED:
DIMENSIONS ARE IN INCHES
TOLERANCES: ± .005

DO NOT SCALE DRAWING

Chris Ketter
cketter@hawaii.edu
High Energy Physics ID Lab
2505 Correa Rd.
Honolulu, HI 96822

Enable 3D View



PROJECT:
XRM Electronics Housing

DESCRIPTION:
Main Box

P/N:
XRM0xx

9/26/2014 SHEET 1 OF 2



UNIVERSITY
of HAWAII[®]
MĀNOA

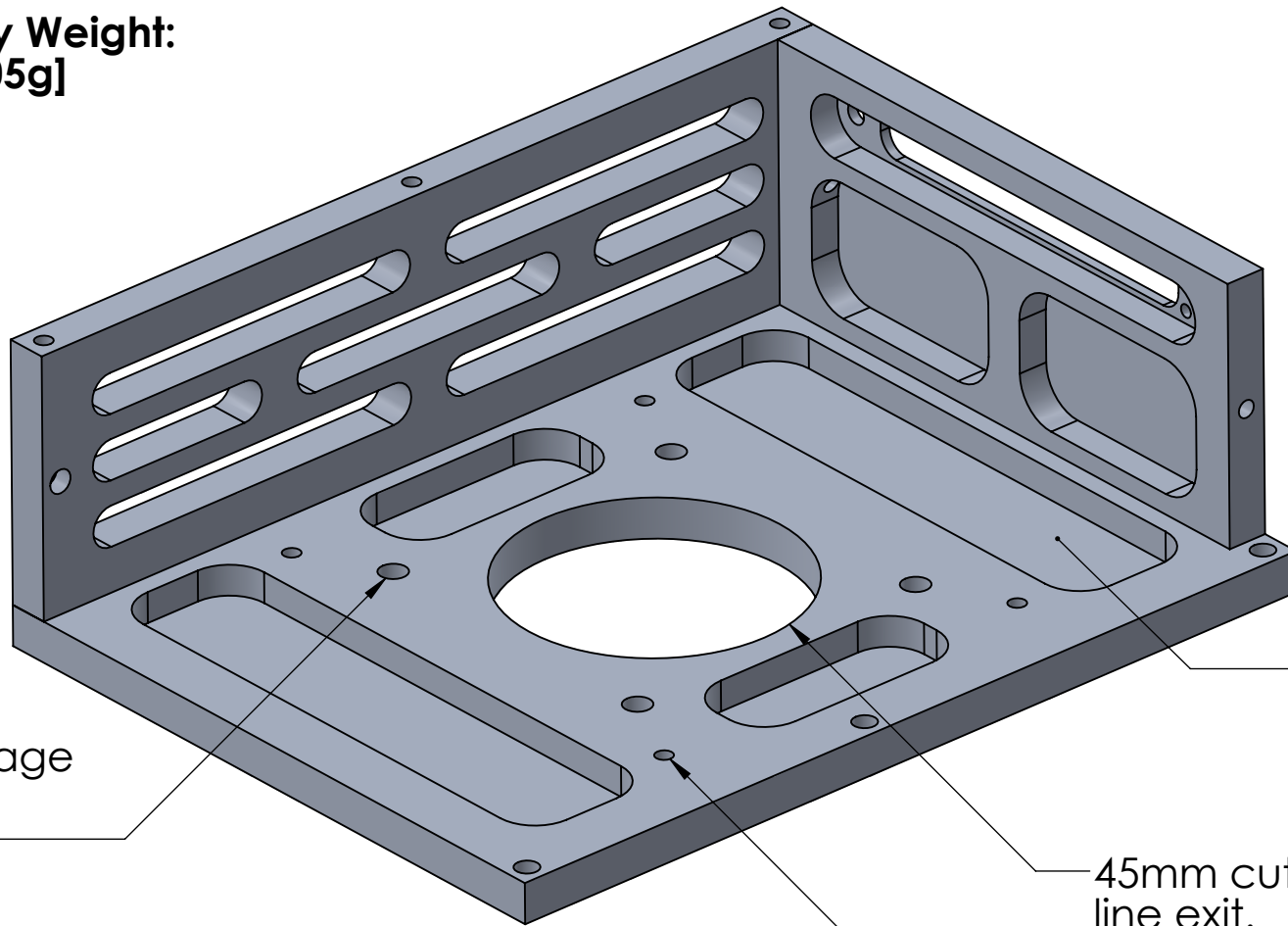
UNLESS OTHERWISE SPECIFIED:
DIMENSIONS ARE IN INCHES
TOLERANCES: ± .005

Chris Ketter
cketter@hawaii.edu
High Energy Physics ID Lab
2505 Correa Rd.
Honolulu, HI 96822

DO NOT SCALE DRAWING

MATERIAL:

**Total Empty Weight:
0.89 lbs [405g]**



Rotating stage
mounting
holes.

Recesses in
bottom and
sidewalls for
weight reduction

45mm cutout for beam
line exit.

Detector PCB mounting
holes

PROJECT:
XRM Electronics Housing

DESCRIPTION:
Detector Box

P/N:
FERM0xx

9/26/2014 SHEET 2 OF 2

UNLESS OTHERWISE SPECIFIED:
DIMENSIONS ARE IN INCHES
TOLERANCES: ± .005

Chris Ketter
cketter@hawaii.edu
High Energy Physics ID Lab
2505 Correa Rd.
Honolulu, HI 96822

DO NOT SCALE DRAWING

MATERIAL:

5

4

3

2

1

Enable 3D View