

institution:	University of Hawai'i at Manoa High Energy Physics Group Instrumentation Development Lab
title:	MB_STURM_DG_Power
revision:	B
IDLAB design #:	IDL_13_007
circuit design:	JM
PCB design:	JM
sheet #:	1 of 6
sheet description:	Connectors 1 - 2
date last modified:	24-JUNE-2013

A

A

B

B

C

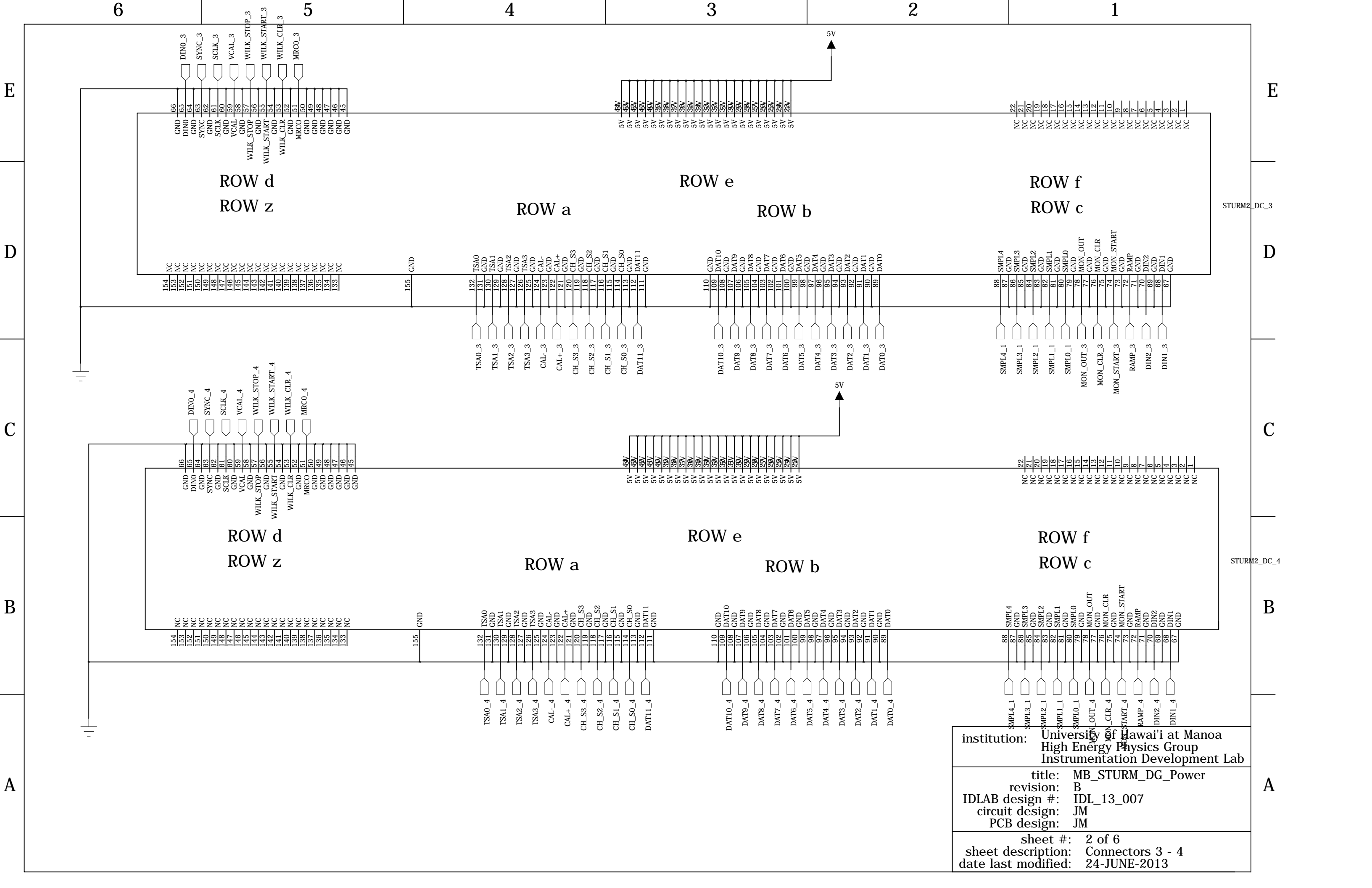
C

D

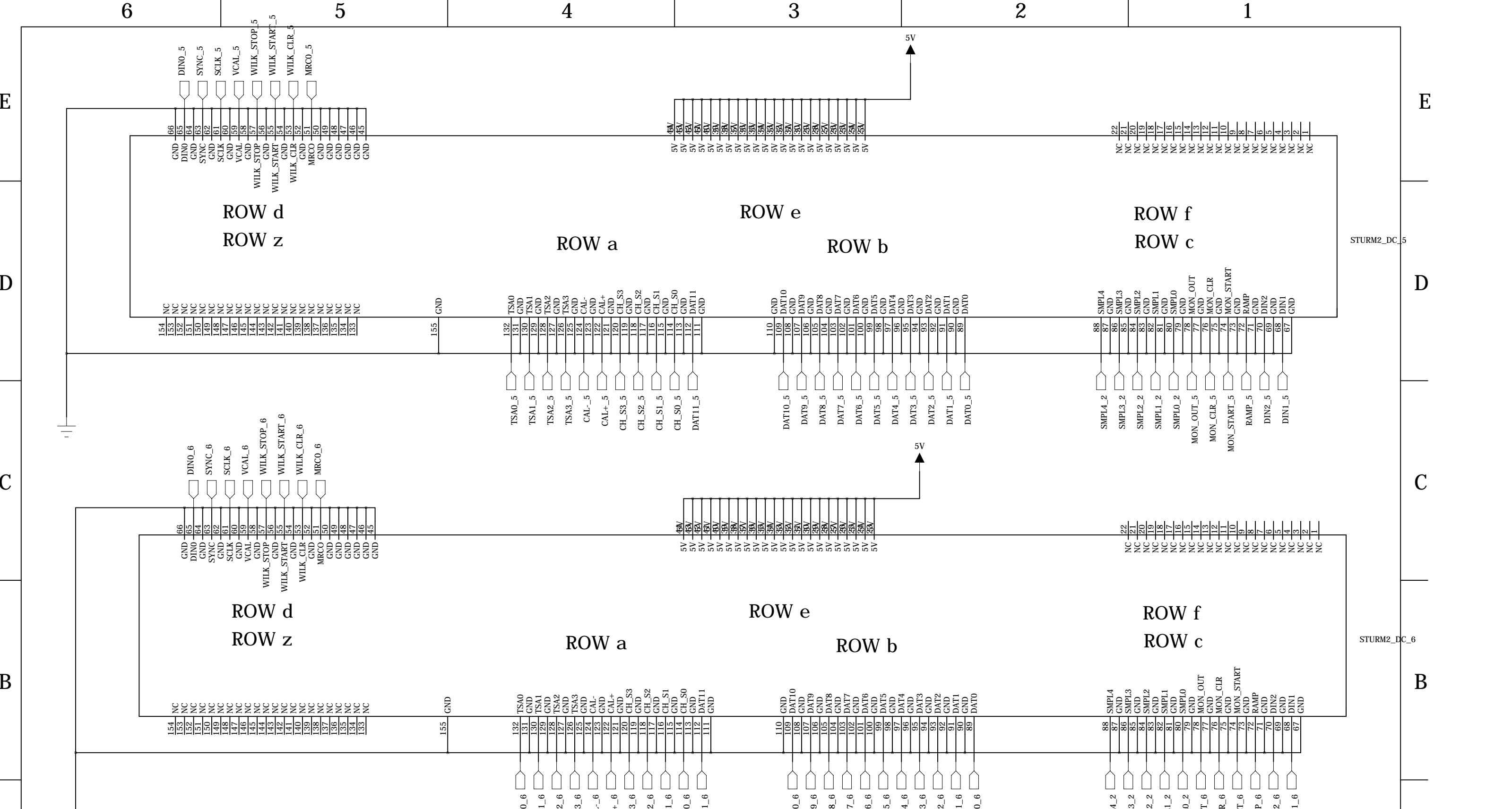
D

E

E



institution:	University of Hawai'i at Manoa High Energy Physics Group Instrumentation Development Lab
title:	MB_STURM_DG_Power
revision:	B
IDLAB design #:	IDL_13_007
circuit design:	JM
PCB design:	JM
sheet #:	2 of 6
sheet description:	Connectors 3 - 4
date last modified:	24-JUNE-2013



institution: University of Hawaii at Manoa  
 High Energy Physics Group  
 Instrumentation Development Lab

title: MB\_STURM\_DG\_Power  
 revision: B  
 IDLAB design #: IDL\_13\_007  
 circuit design: JM  
 PCB design: JM

sheet #: 3 of 6  
 sheet description: Connectors 5 - 6  
 date last modified: 24-JUNE-2013

A

A

B

B

C

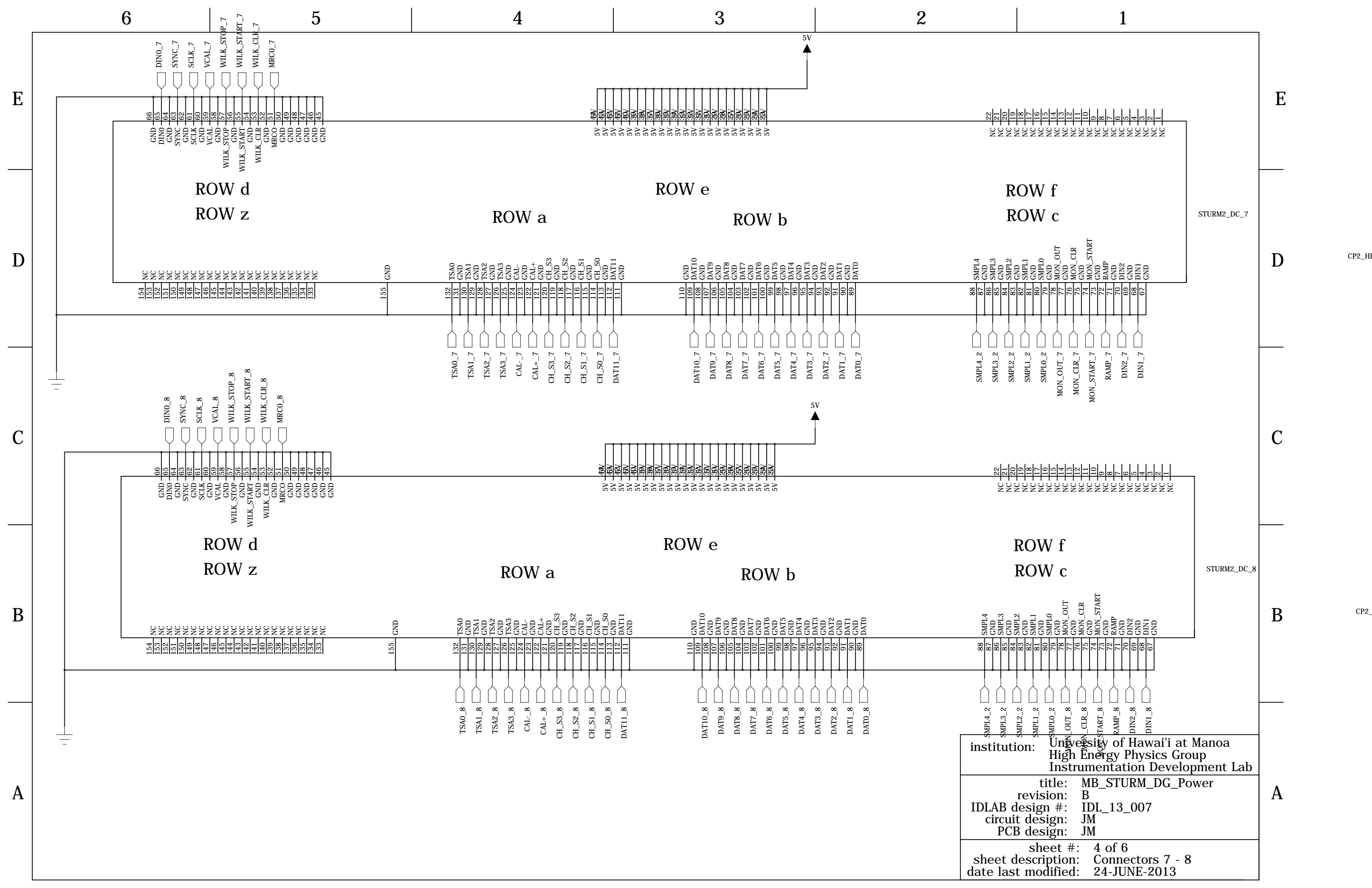
C

D

D

E

E



institution:	University of Hawai'i at Manoa High Energy Physics Group Instrumentation Development Lab
title:	MB_STURM_DG_Power
revision:	B
IDLAB design #:	IDL_13_007
circuit design:	JM
PCB design:	JM
sheet #:	4 of 6
sheet description:	Connectors 7 - 8
date last modified:	24-JUNE-2013

6

5

4

3

2

1

E

E

D

D

C

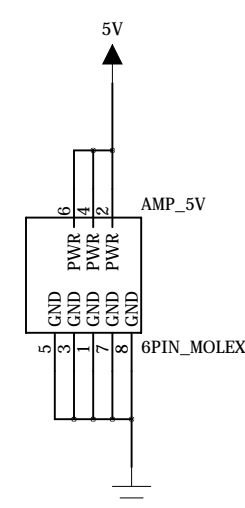
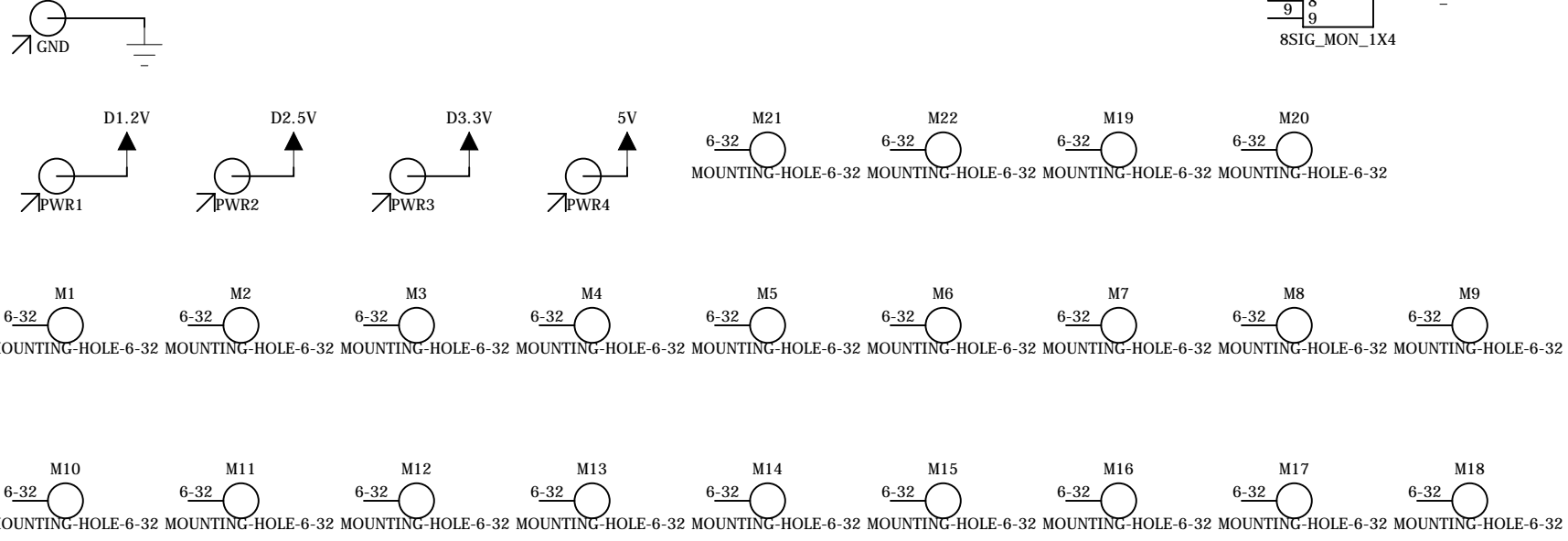
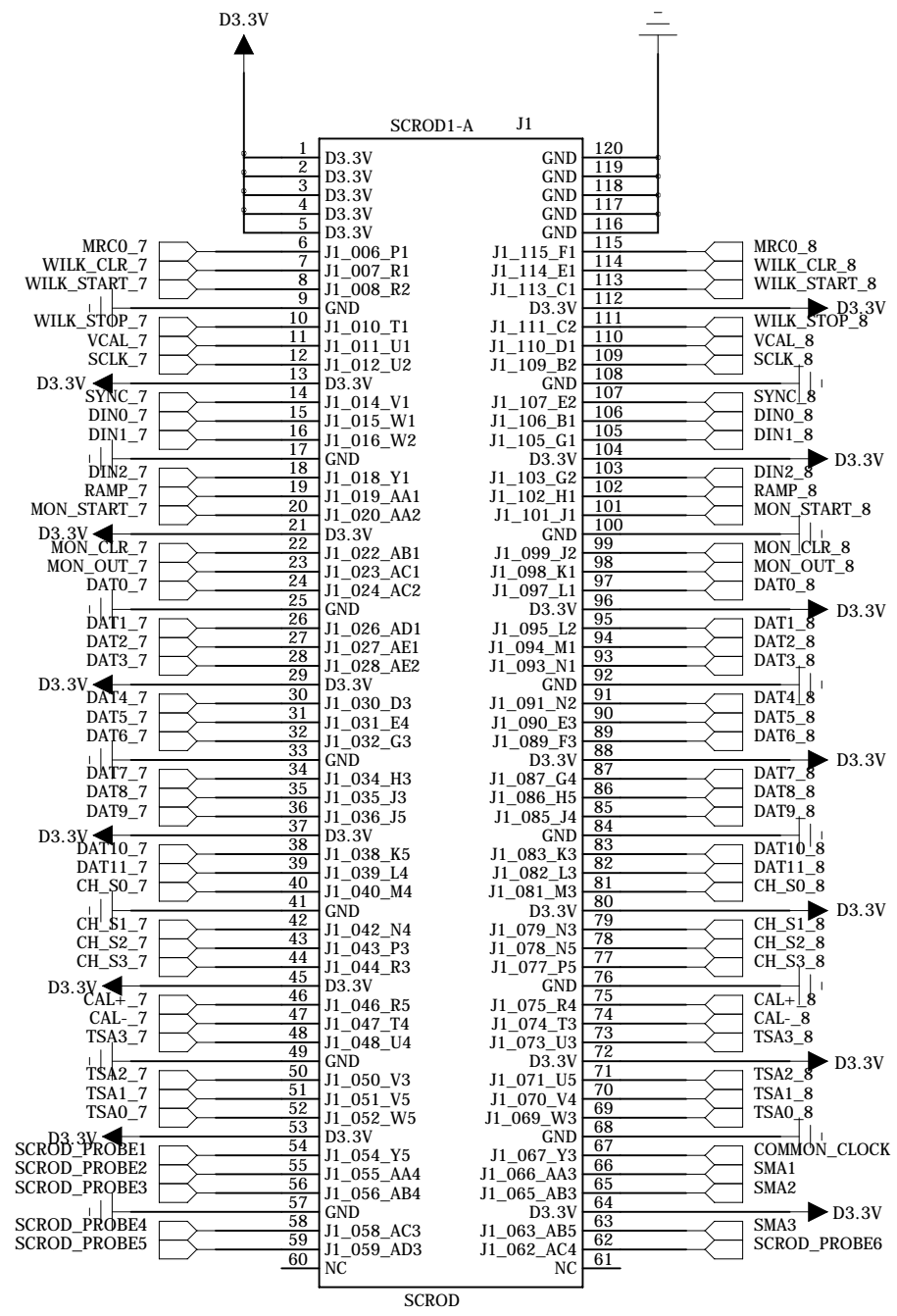
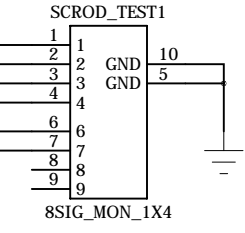
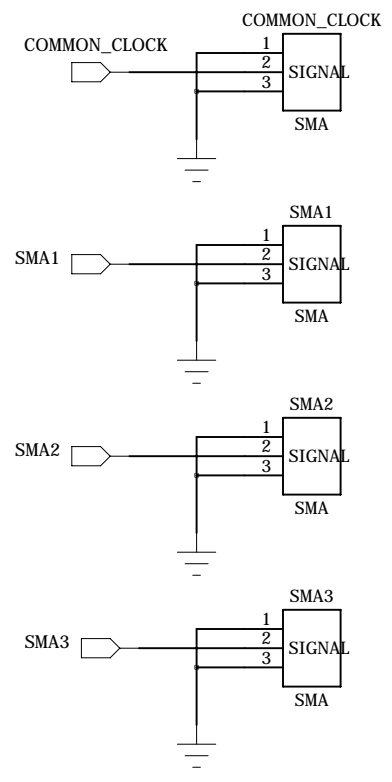
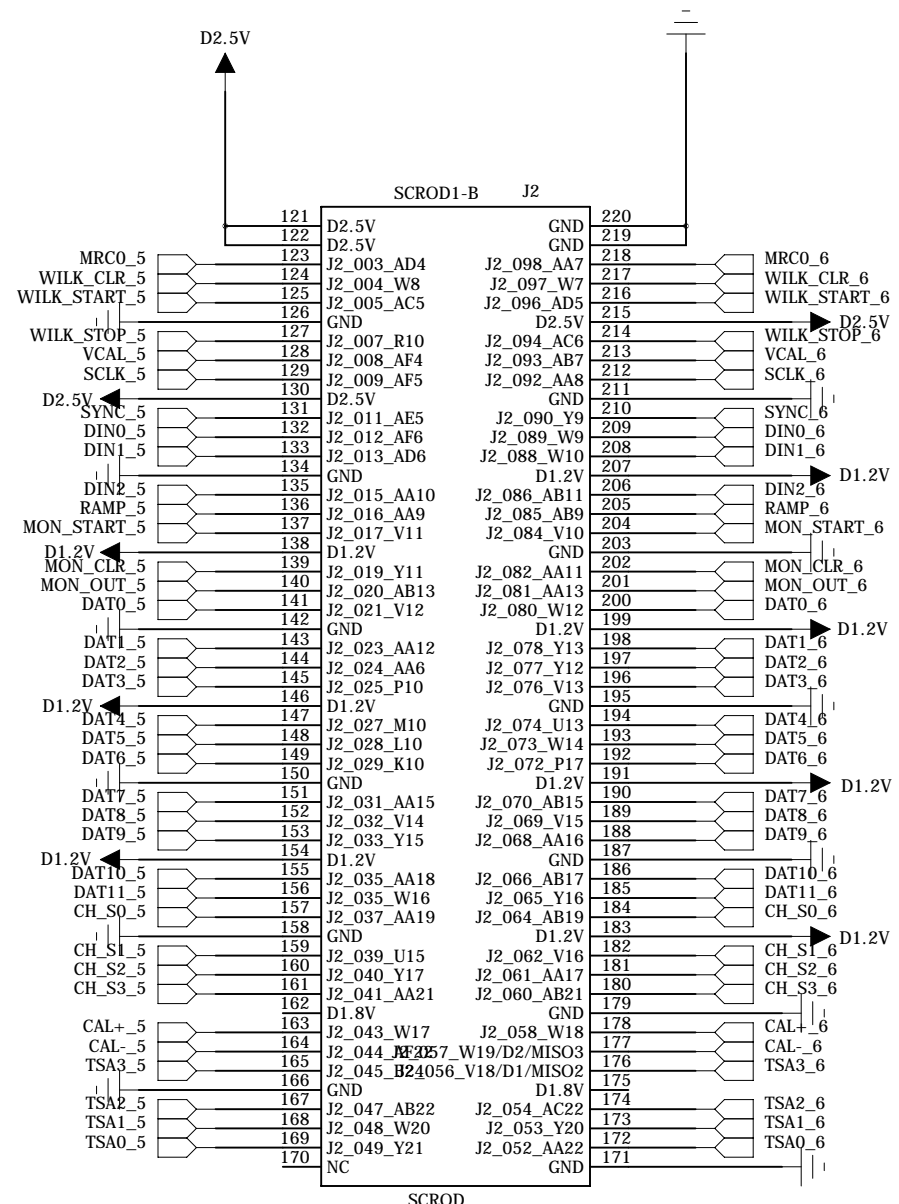
C

B

B

A

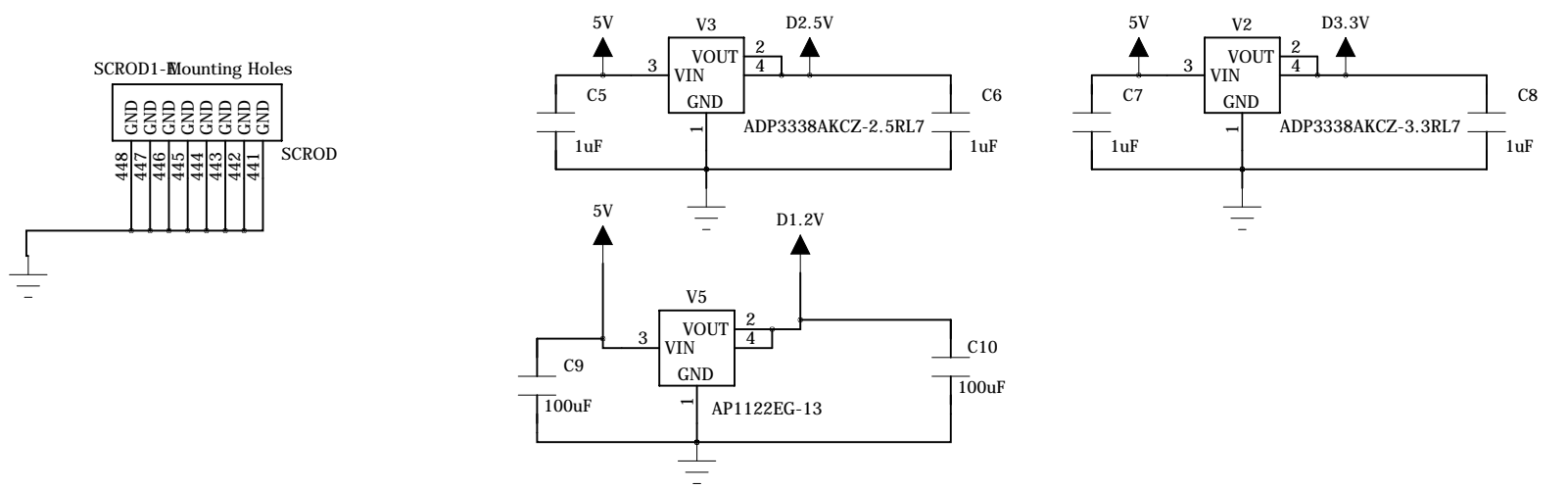
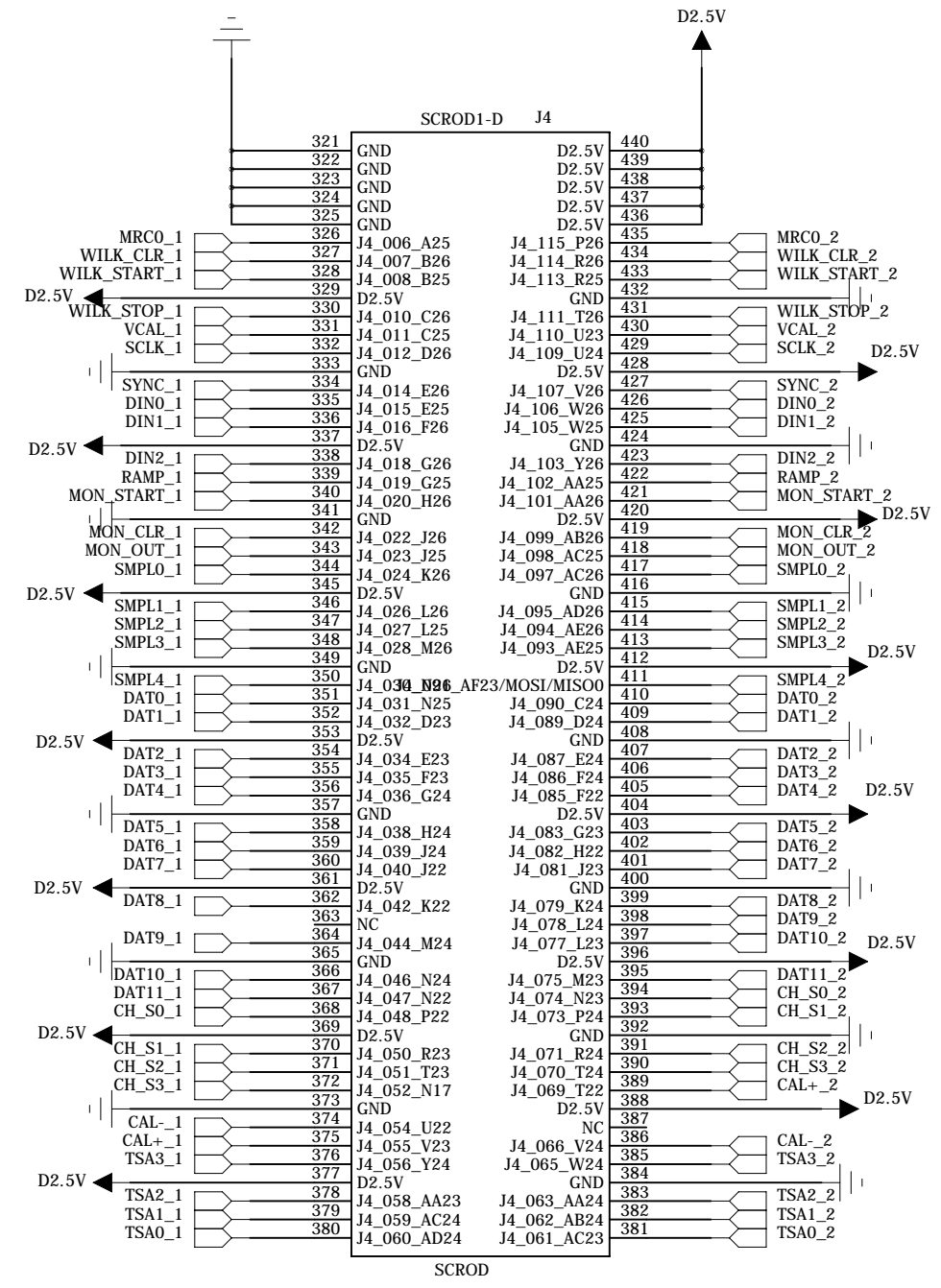
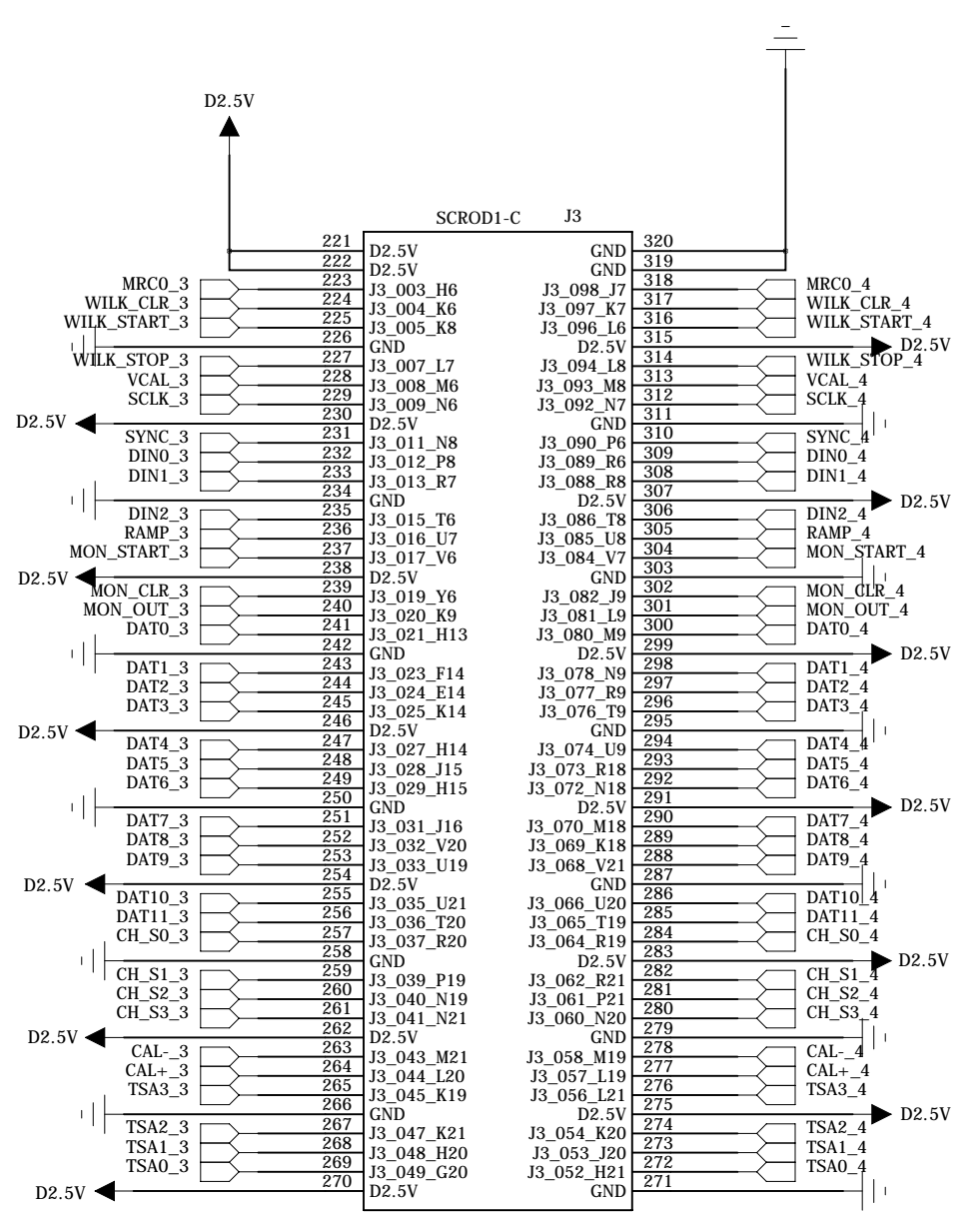
A



institution: University of Hawai'i at Manoa  
 High Energy Physics Group  
 Instrumentation Development Lab

title: MB\_STURM\_DG\_Power  
 revision: B  
 IDLAB design #: IDL\_13\_007  
 circuit design: JM  
 PCB design: JM

sheet #: 5 of 6  
 sheet description: SCROD1  
 date last modified: 24-JUNE-2013



institution: University of Hawai'i at Manoa  
 High Energy Physics Group  
 Instrumentation Development Lab

title: MB\_STURM\_DG\_Power  
 revision: B  
 IDLAB design #: IDL\_13\_007  
 circuit design: JM  
 PCB design: JM

sheet #: 6 of 6  
 sheet description: SCROD2  
 date last modified: 24-JUNE-2013