

6

5

4

3

2

1

D

D

C

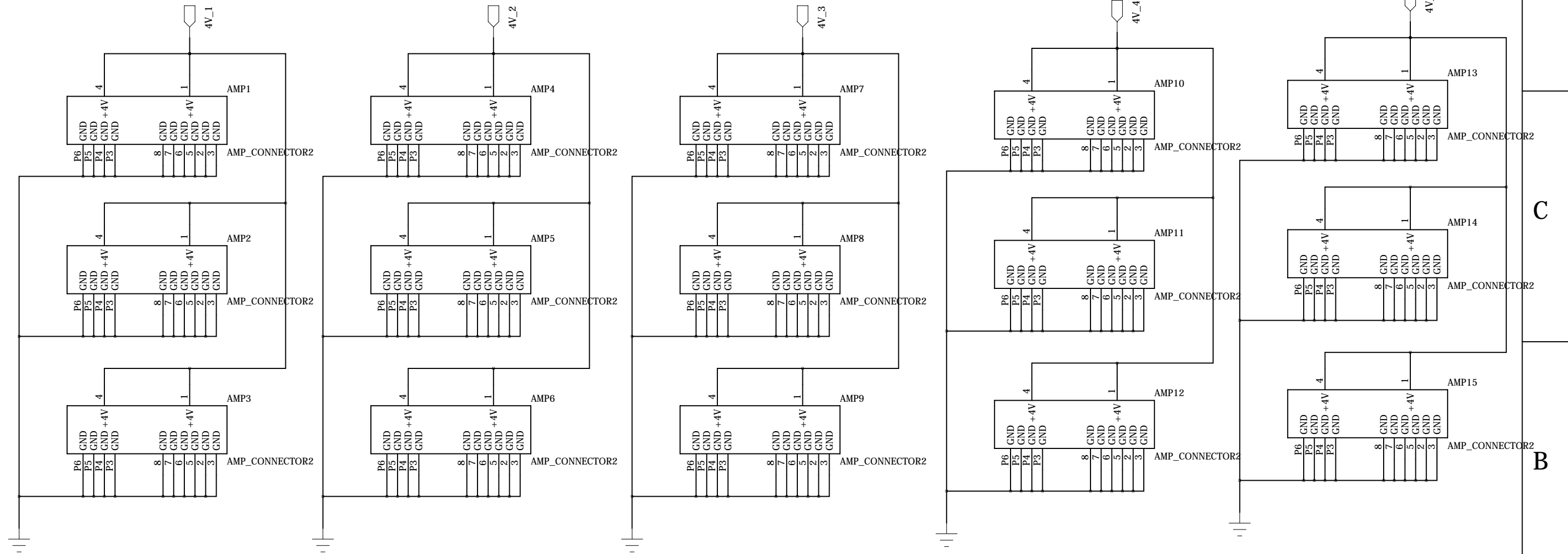
C

B

B

A

A



Univ. of Hawai'i -- Instr. Dev. Lab.

TITLE: MB_STURM_AMP_Power_RevA IDL_13_004



Design:
JM

Page Description:
MB_STURM_AMP_Power_RevA
Amplifiers for channels 0 - 4

REV:
A

DATED: 17-JAN-2013

SHEET: 1 of 4

6 5 4 3 2 1

D

D

C

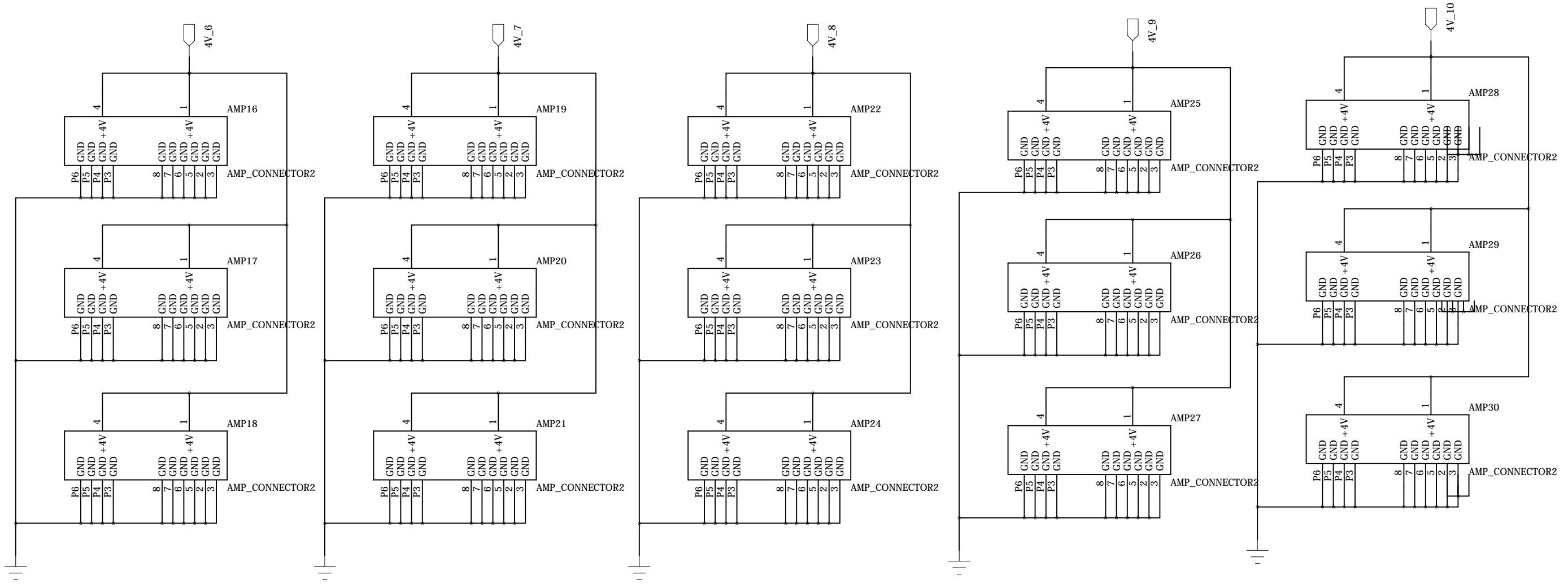
C

B

B

A

A



Univ. of Hawai'i -- Instr. Dev. Lab.

TITLE: MB_STURM_AMP_Power_RevA IDL_13_004



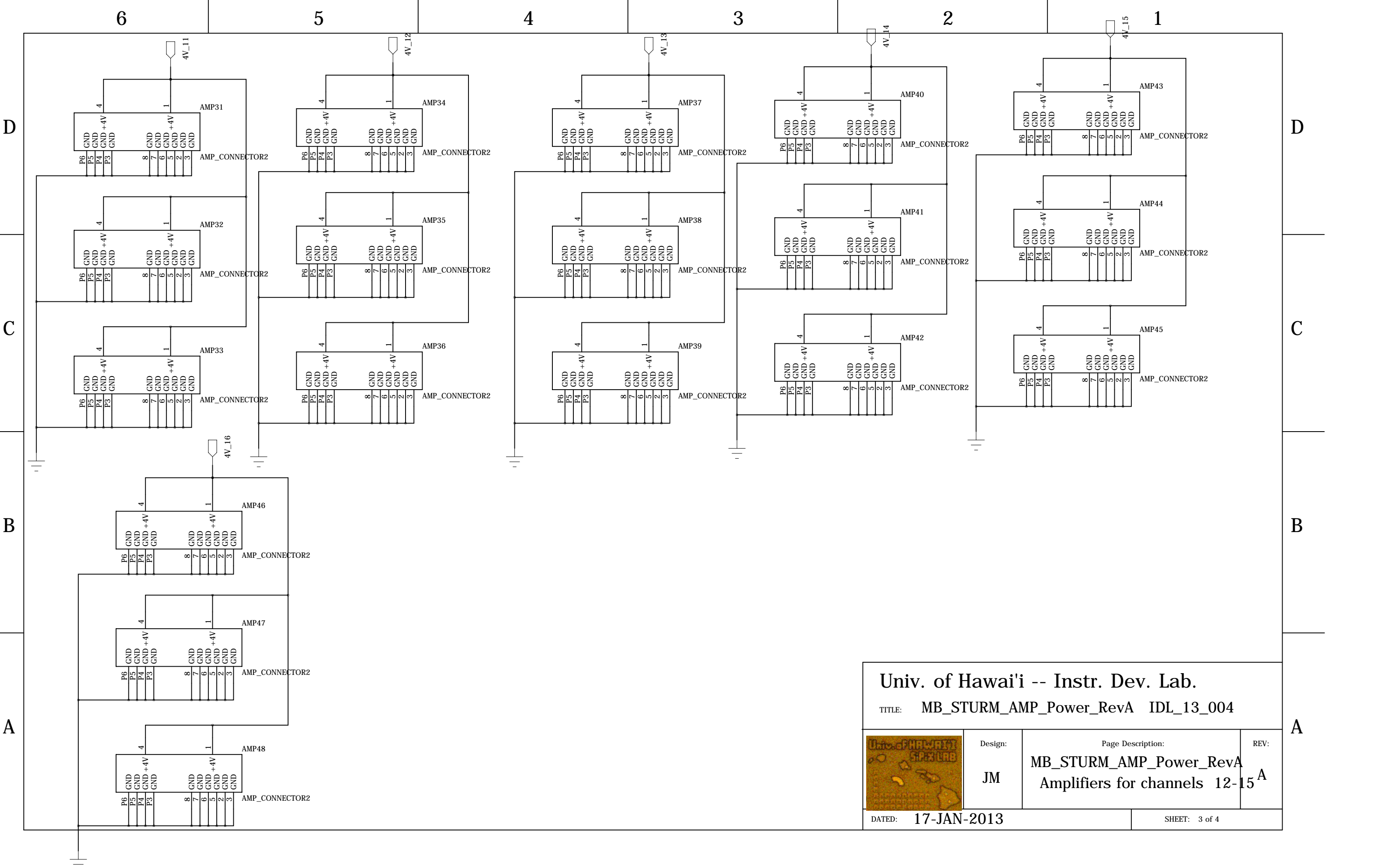
Design:
JM

Page Description:
MB_STURM_AMP_Power_RevA
Amplifiers for channels 5-9

REV:
A


DATED: 17-JAN-2013

SHEET: 2 of 4



Univ. of Hawai'i -- Instr. Dev. Lab.

TITLE: MB_STURM_AMP_Power_RevA IDL_13_004

	Design:	Page Description:	REV:
	JM	MB_STURM_AMP_Power_RevA Amplifiers for channels 12-15 ^A	

DATED: 17-JAN-2013

SHEET: 3 of 4

6

5

4

3

2

1

D

D

C

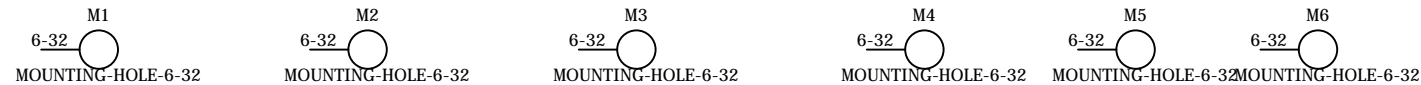
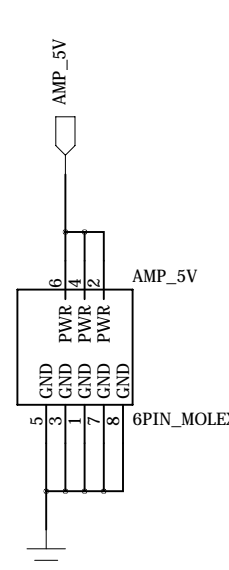
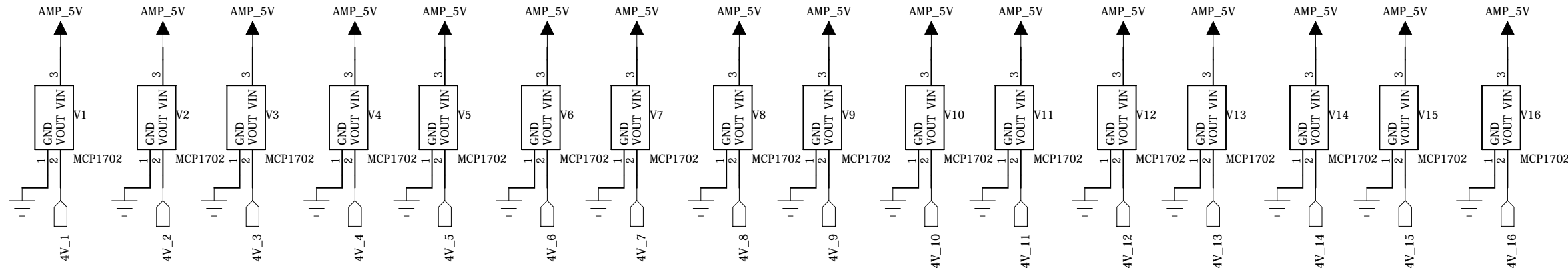
C


B

B

A

A



Univ. of Hawai'i -- Instr. Dev. Lab.			
TITLE: MB_STURM_AMP_Power_RevA IDL_13_004			
	Design:	Page Description:	REV:
	JM	MB_STURM_AMP_Power_RevA Amplifier power	A
DATED: 17-JAN-2013		SHEET: 4 of 4	