

6

5

4

3

2

1

D

D

C

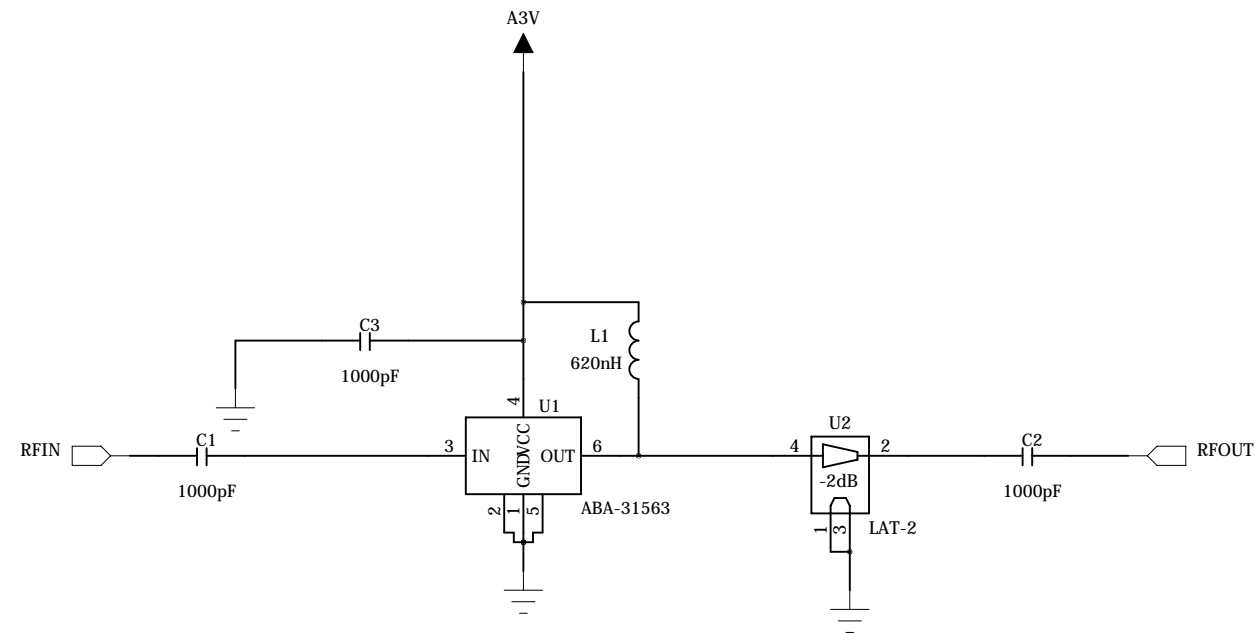
C

B

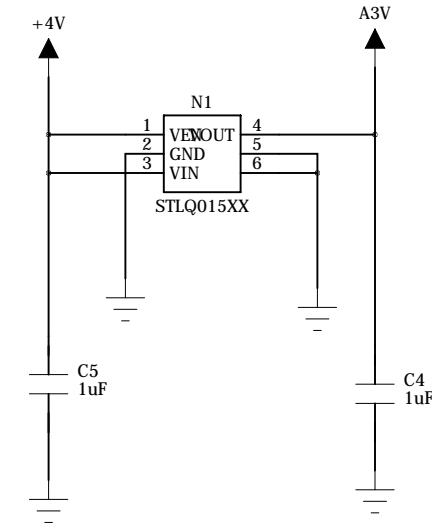
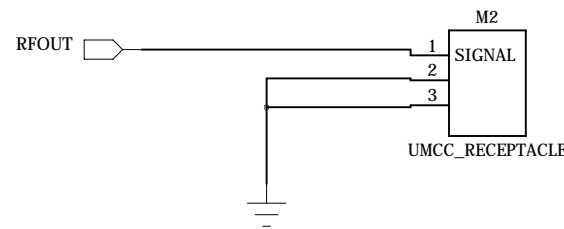
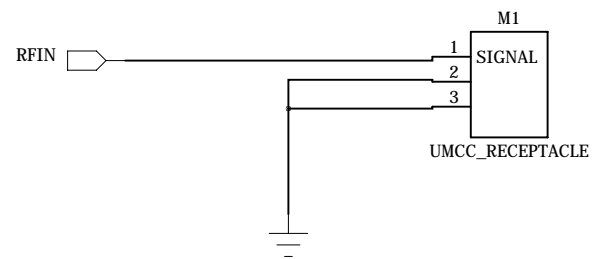
B

A

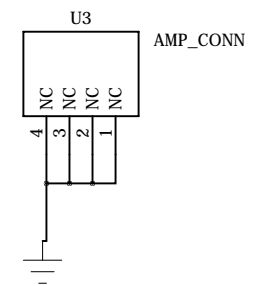
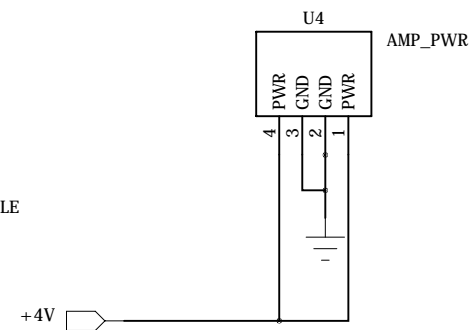
A



1000pF ==> Murata GRM033R71E102KA01D  
 620nH ==> Coilcraft 1008CS-621XXKBC1



1uF ==> Murata GRM185R61C105KE44D



Univ. of Hawai'i -- Instr. Dev. Lab.

TITLE: 20dB RF amp IDL\_13\_003



Design:  
JM

Page Description:  
ATF2 generic RF 20dB amp  
DC\_RFAMP\_RevD

REV:  
D

DATED: 17-JAN-2013

SHEET: 1 of 1