


Univ. of Hawai'i -- Instr. Dev. Lab.			
TITLE: BS_KLMPA_Eval_RevA		IDL_12_031	
	Design:	Page Description:	REV:
	GSV XS	SIGGEN	A
DATED: 17-OCT-2012		[TOP]	SHEET: 1 OF 2

6

5

4

3

2

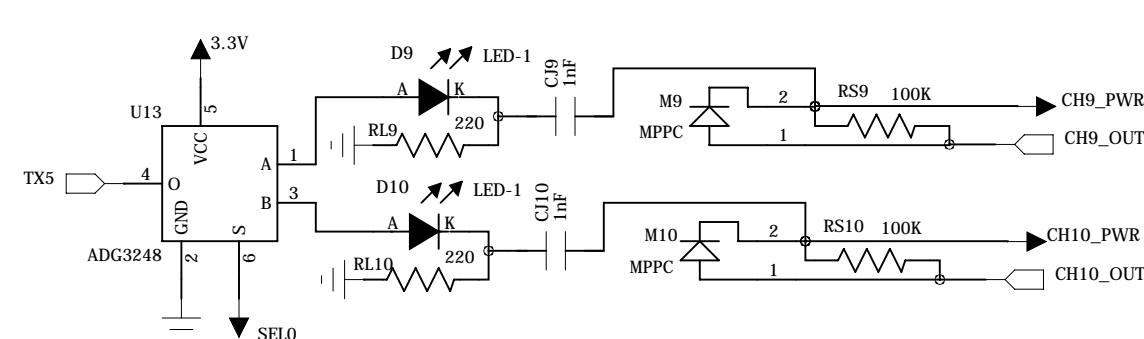
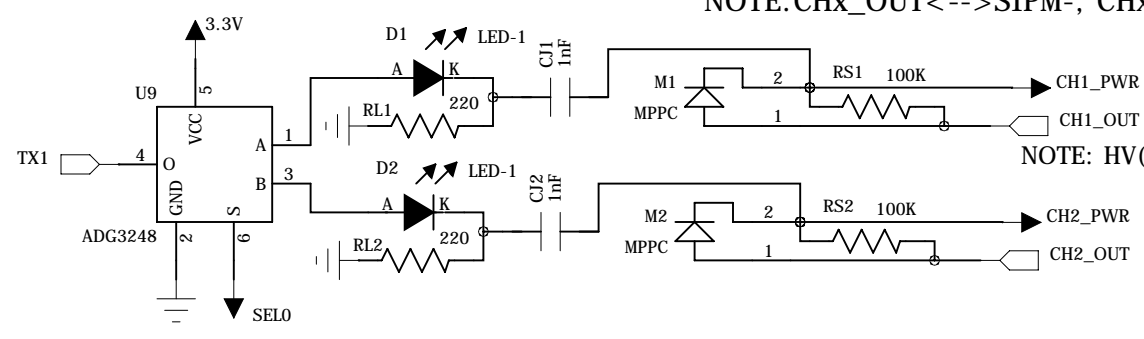
1

NOTE: CHx_OUT<-->SIPM-; CHx_PWR<-->SIPM+.

NOTE: HV(MPPC Power: 70+V)

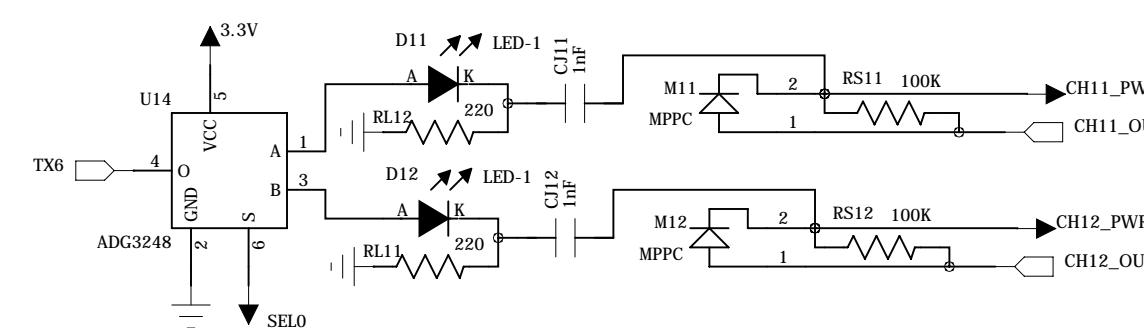
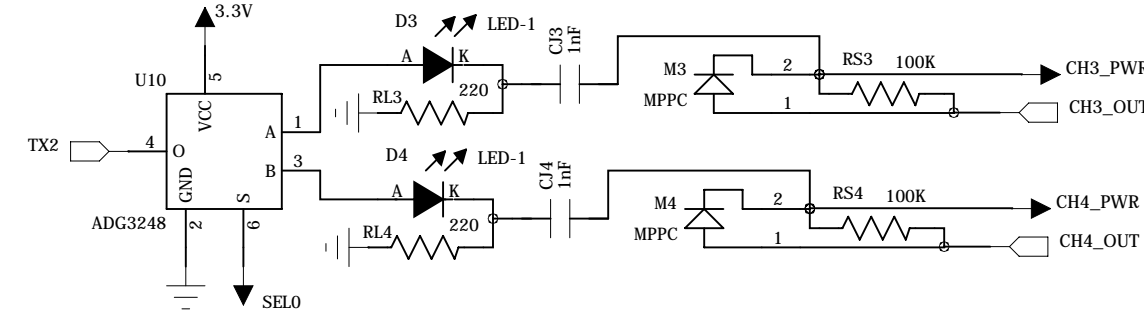
D

D



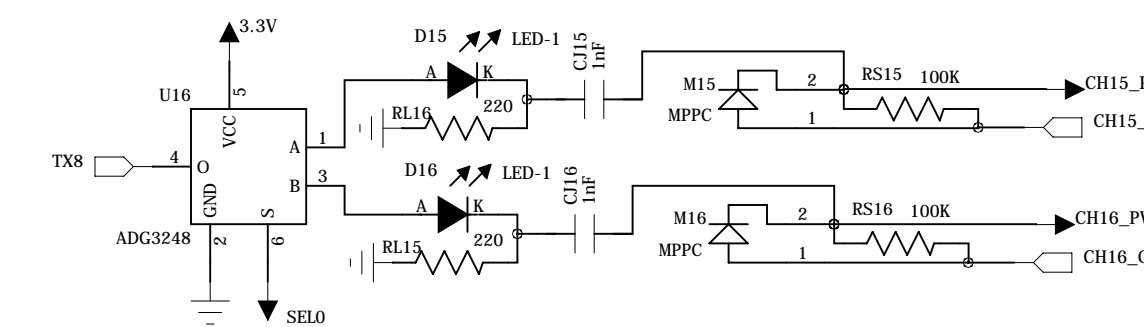
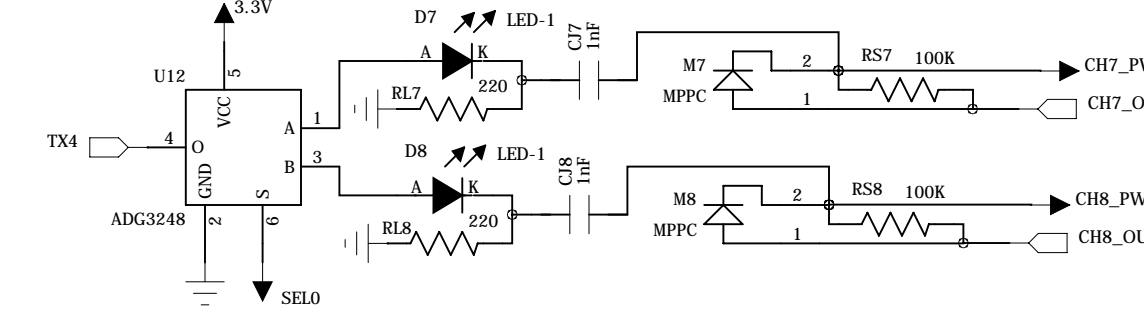
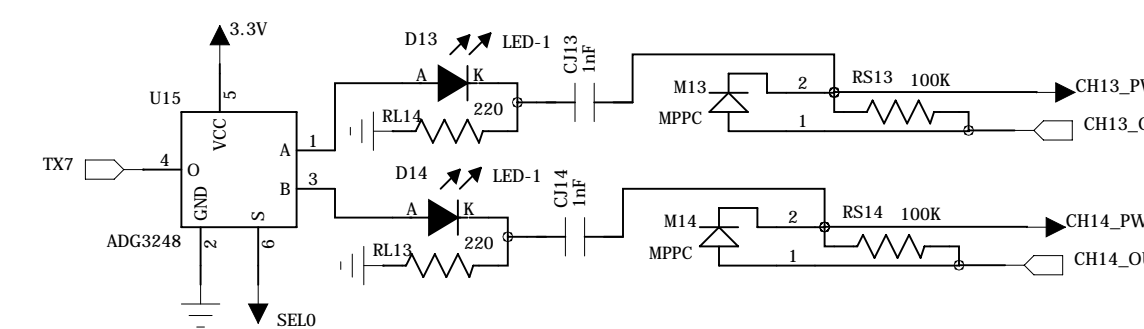
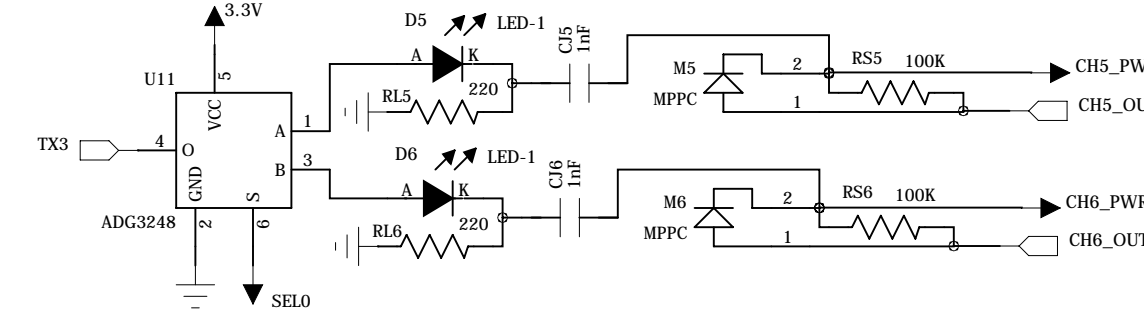
C

C



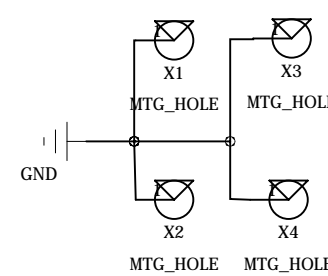
B

B



A

A

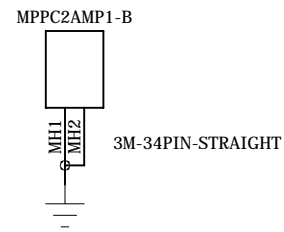
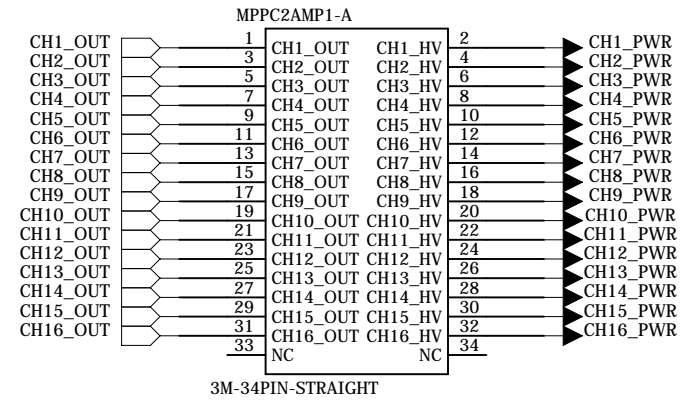


Univ. of Hawai'i -- Instr. Dev. Lab.

TITLE: BS_KLMPA_Eval_RevA IDL_12_031

	Design:	Page Description:	REV:
	GSV XS	MPPC CONNECTOR	A

DATED: 17-OCT-2012 [MPPC_CONN] SHEET: 2 OF 2



Univ. of Hawai'i -- Instr. Dev. Lab.

TITLE: BS_KLMPA_Eval_RevA

IDL_12_031



Design:
GSV
XS

Page Description:
MPPC PREAMP CONNECTOR

REV:
A

DATED: 17-OCT-2012

[MPPC_preAmp_CONN]

SHEET: 3 OF 3

A