

institution:	University of Hawai'i at Manoa High Energy Physics Group Instrumentation Development Lab
title:	DC_IRSX
revision:	A
IDLAB design #:	IDL_14_022
circuit design:	JM,GSV
PCB design:	JM,GSV
sheet #:	1 of 2
sheet description:	ASIC
date last modified:	16-July-2013

6

5

4

3

2

1

E

E

D

D

C

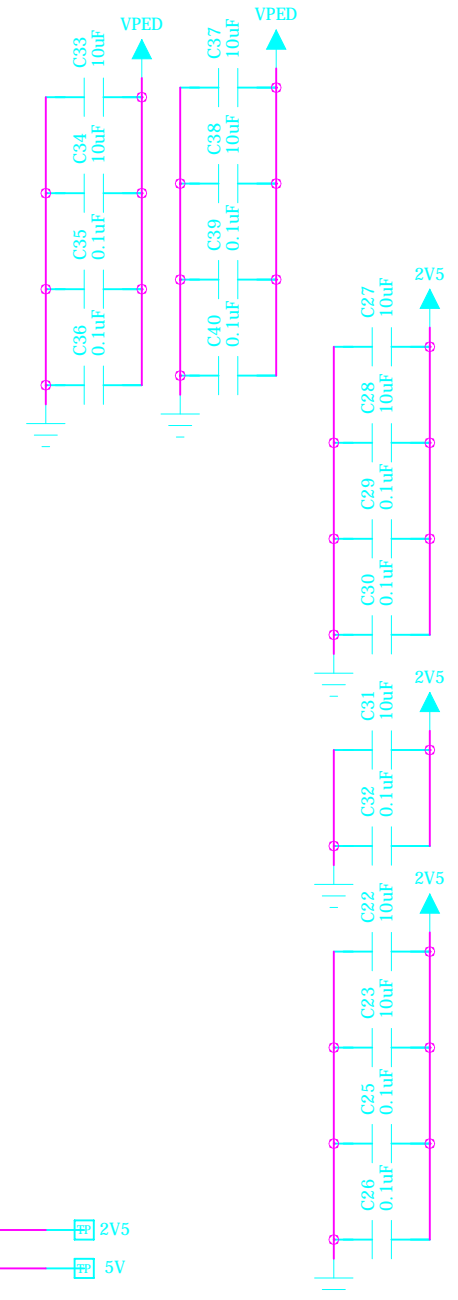
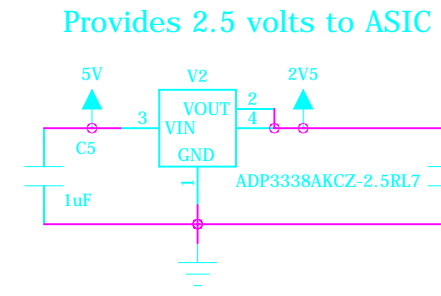
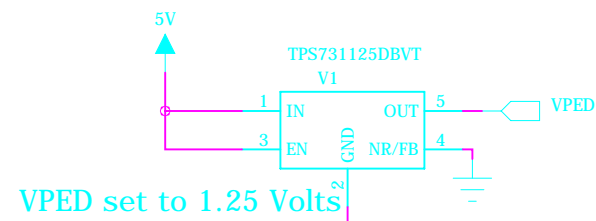
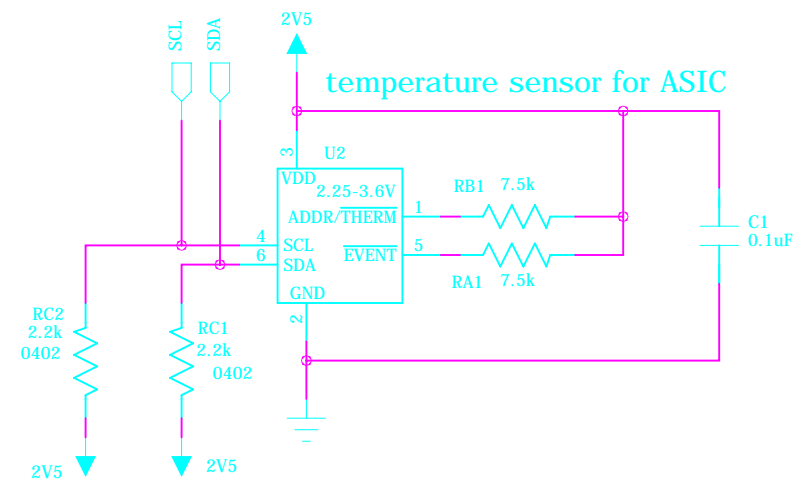
C

B

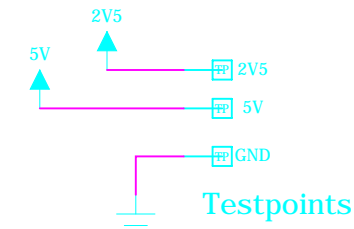
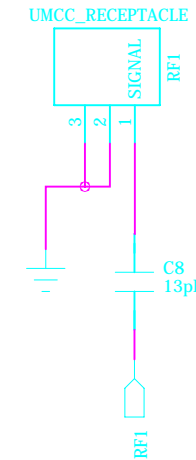
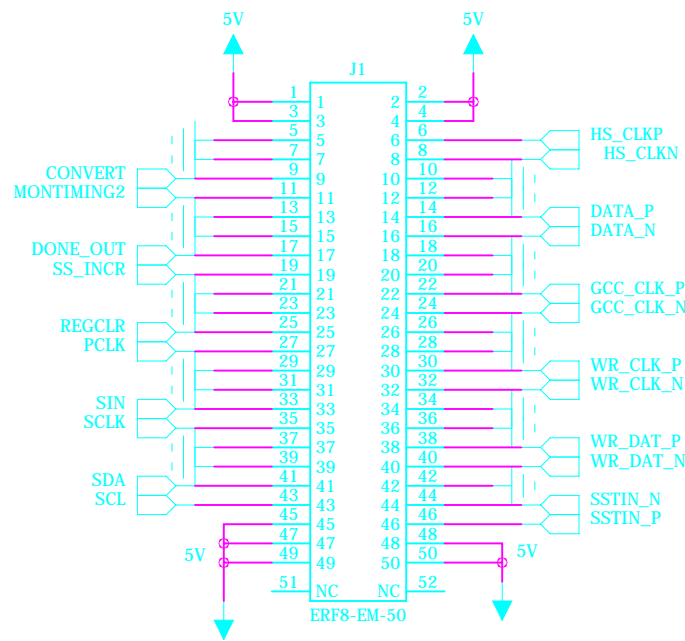
B

A

A



SAMTEC ERF8-EM Board Edge 50 pin connector
<http://www.samtec.com/technical-specifications/Default.aspx?SeriesMaster=ERF8-EM>



institution: University of Hawai'i at Manoa
 High Energy Physics Group
 Instrumentation Development Lab

title: DC_IRSX
 revision: A
 IDLAB design #: IDL_14_022
 circuit design: JM,GSV
 PCB design: JM,GSV

sheet #: 2 of 2
 sheet description: Power
 date last modified: 16-July-2013