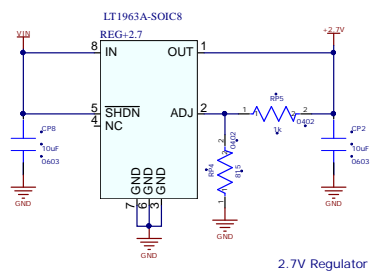
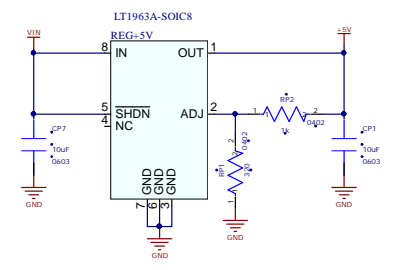


High Energy Physics Group, Instrumentation Development Lab		Designer: Jose Duron	IDLAB design #: IDL_17_014
Board: WATCHMAN_TXGAIN	Drawn By: Drawn_By	Revision: A	
Sheet Title: FMC	Approved By: Approved_By	Variant: [No Variations]	
	A A	Modif. Date: 2/8/2018	
		Sheet 2 of 7	

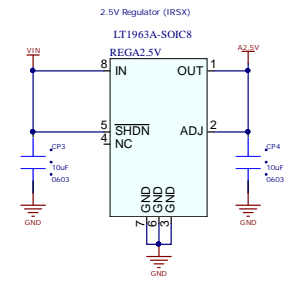




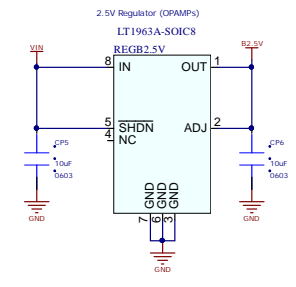
2.7V Regulator



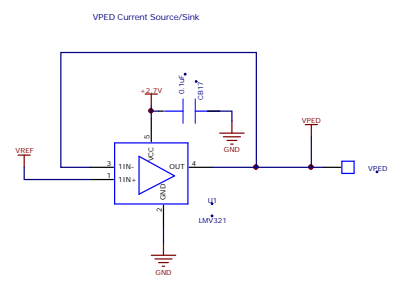
5V Regulator



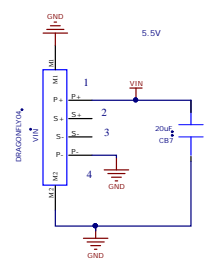
2.5V Regulator (RSX)



2.5V Regulator (OPAMPs)

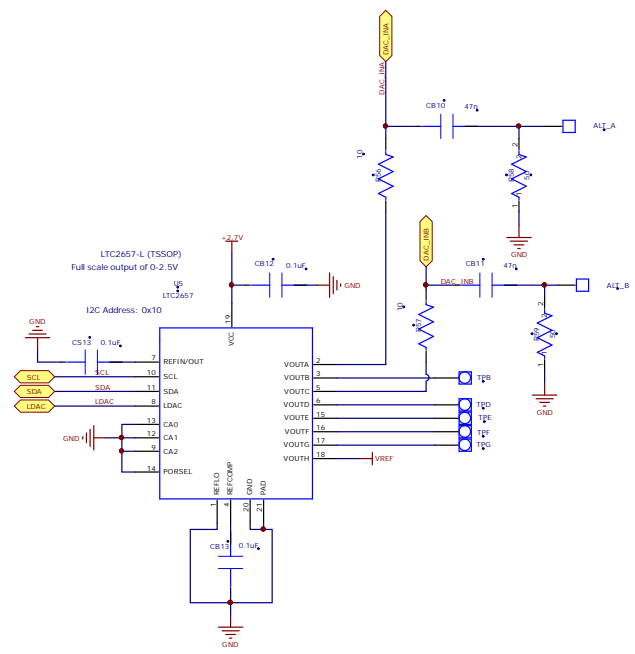
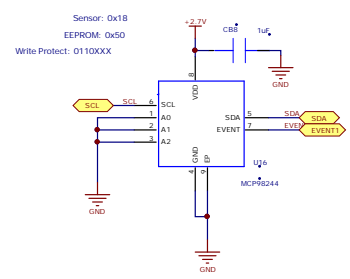
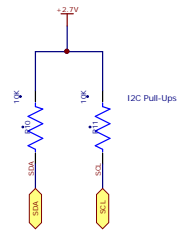


VPED Current Source/Sink



5.5V

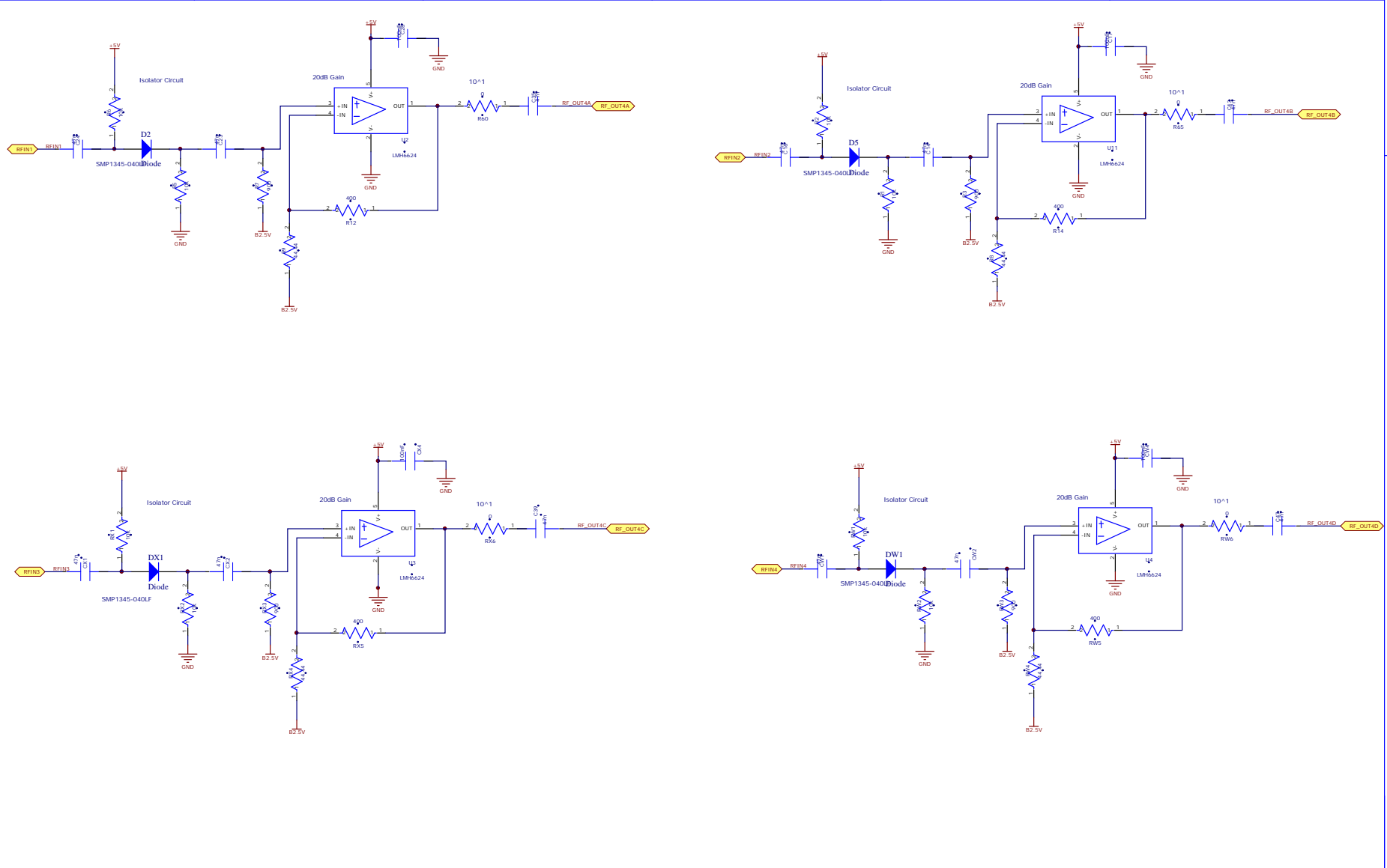




High Energy Physics Group, Instrumentation Development Lab		Designer: Jose Duron	IDLAB design #: IDL_17_014
Board: WATCHMAN_TXGAIN		Drawn By: Drawn_By	Revision: A
Sheet Title: Peripherals		Approved By: Approved_By	Variant: [No Variations]
		A A	Modif. Date: 1/31/2018
		Sheet 4 of 7	



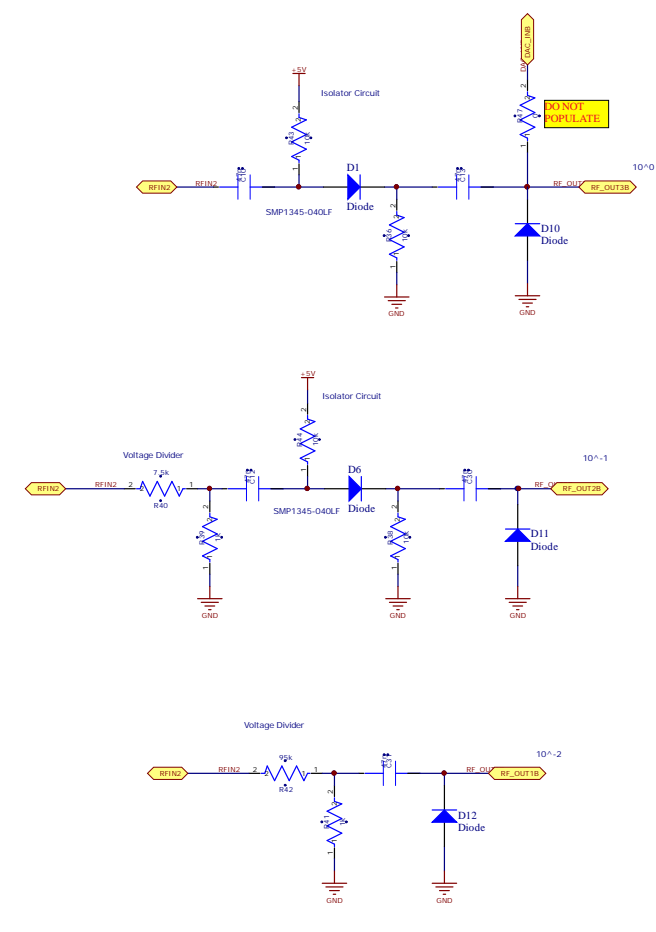
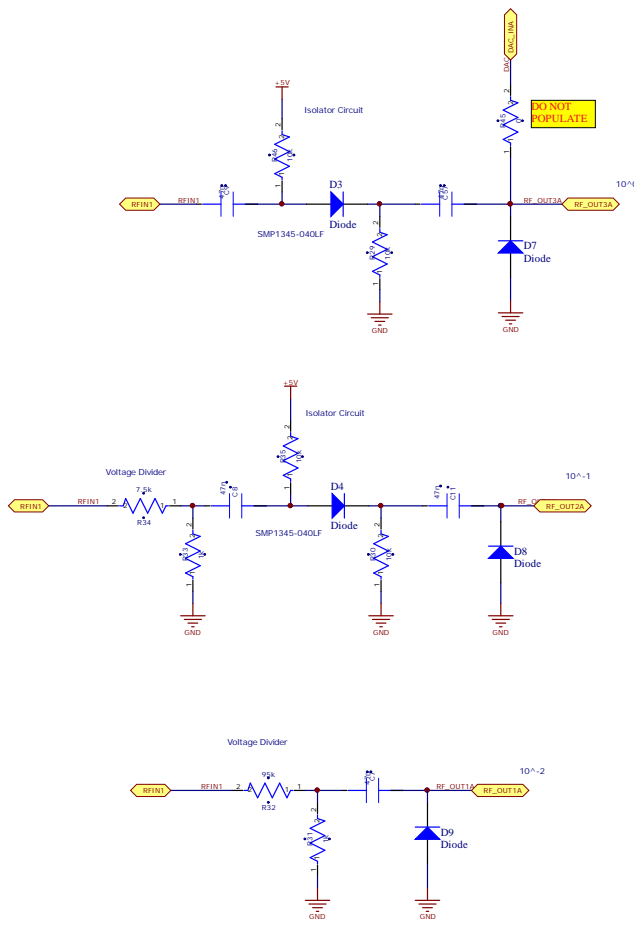
1 2 3 4 5 6 7 8



High Energy Physics Group, Instrumentation Development Lab	Designer: Jose Duron	IDLAB design #: IDL_17_014
Board: WATCHMAN_TXGAIN	Drawn By: Drawn_By	Revision: A
Sheet Title: Gain Stages	Approved By: Approved_By	Variant: [No Variations]
	A A	Modif. Date: 1/31/2018
		Sheet 5 of 7

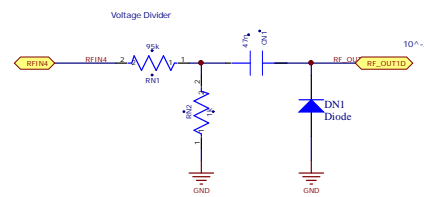
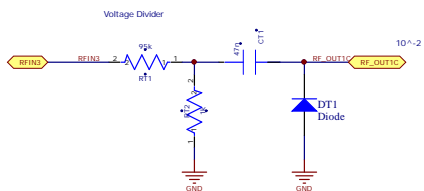
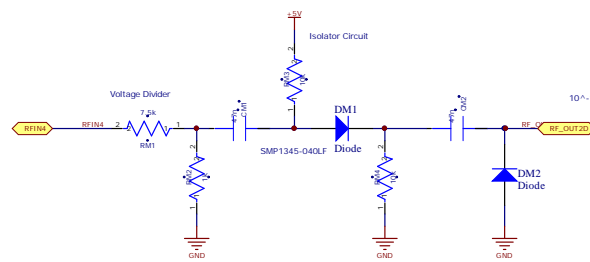
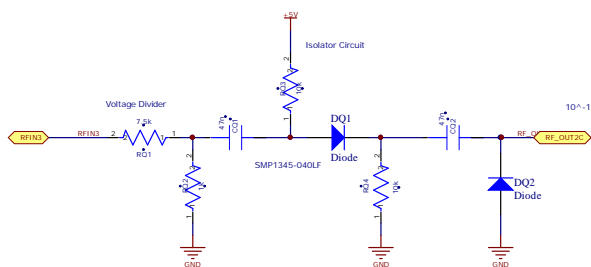
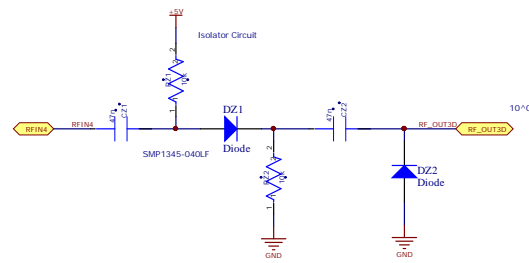
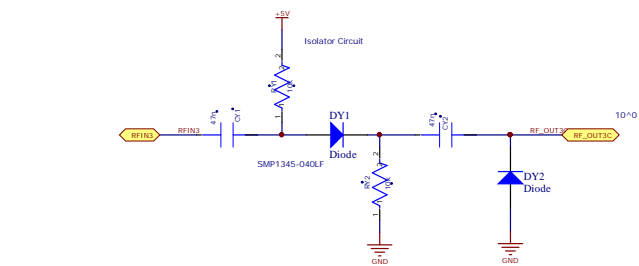


1 2 3 4 5 6 7 8



High Energy Physics Group, Instrumentation Development Lab		Designer: Jose Duron	IDLAB design #: IDL_17_014
Board: WATCHMAN_TXGAIN		Drawn By: Drawn_By	Revision: A
Sheet Title: Attenuation Stages A		Approved By: Approved_By	Variant: [No Variations]
		A A	Modif. Date: 1/31/2018
			Sheet 6 of 7





High Energy Physics Group, Instrumentation Development Lab

Board: **WATCHMAN\_TXGAIN**

Sheet Title: **Attenuation Stages B**

Designer: Jose Duron

Drawn By: Drawn\_By

Approved By: Approved\_By

IDLAB design #: IDL\_17\_014

Revision: A

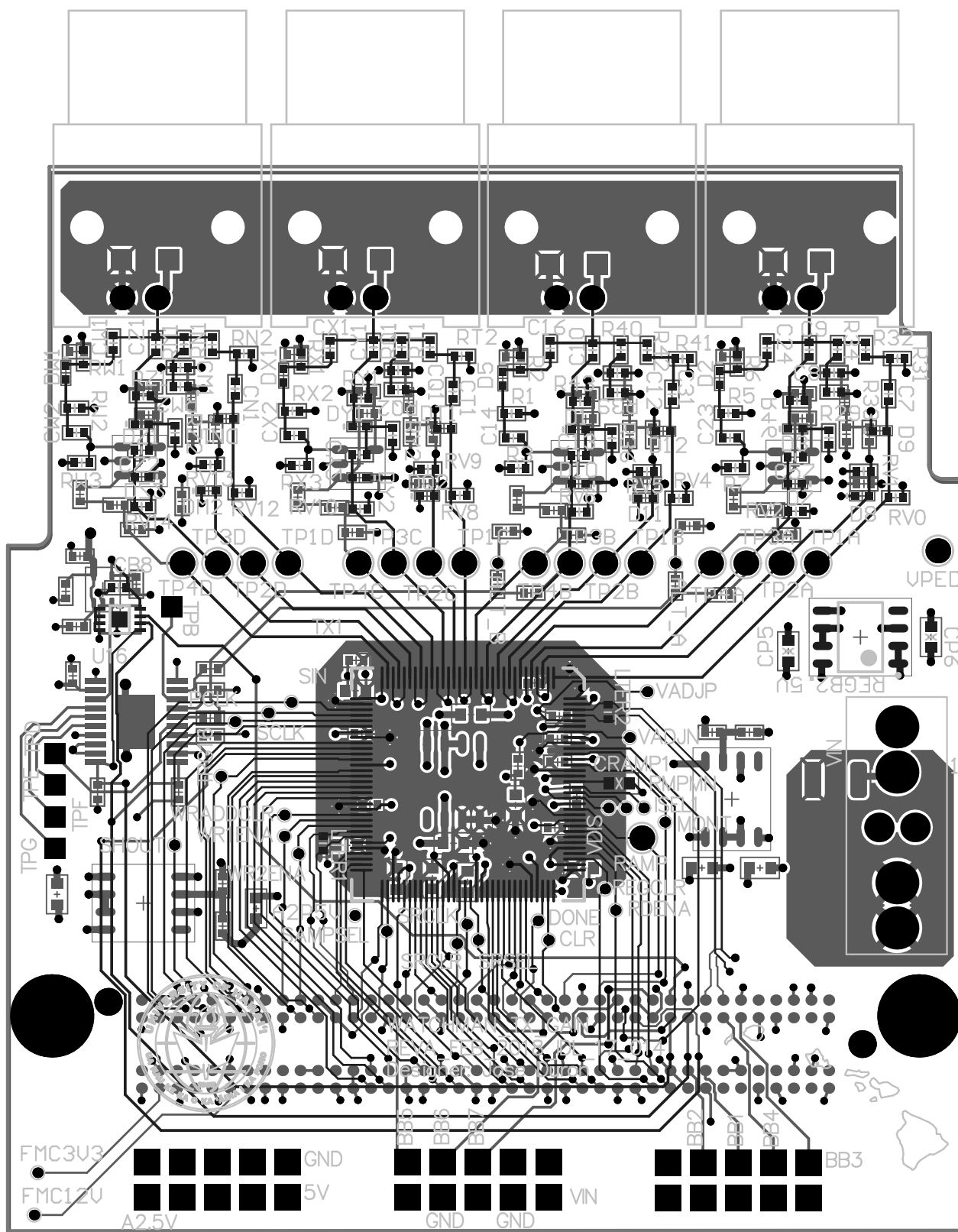
Variant: [No Variations]

Modif. Date: 1/31/2018

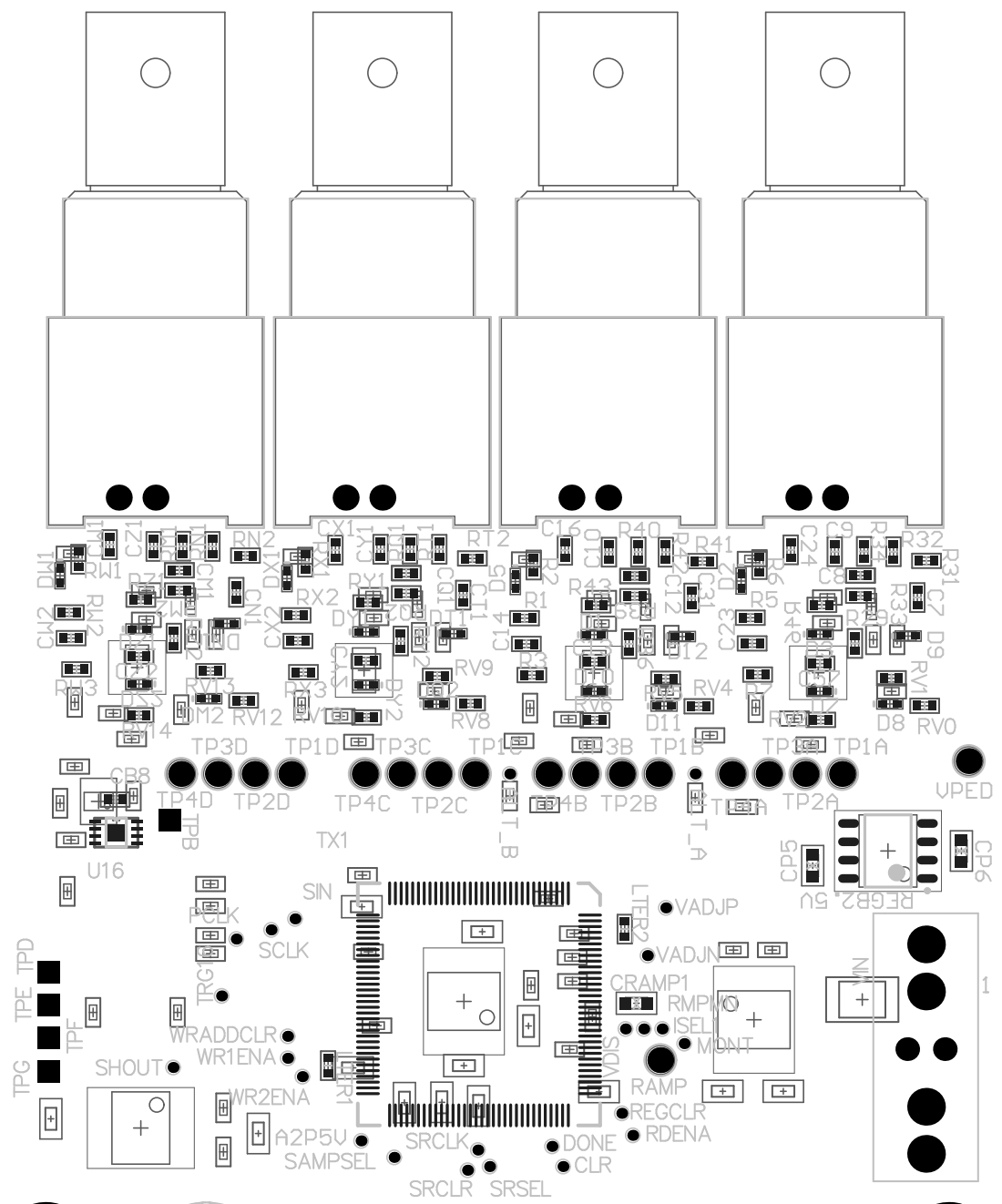
Sheet 7 of 7



UNIVERSITY  
of HAWAII  
MĀNOA







WATCHMAN\_TX\_GAIN  
 REVA\_FEB\_2018\_IDL\_17\_014  
 Designer: Jose Duron

