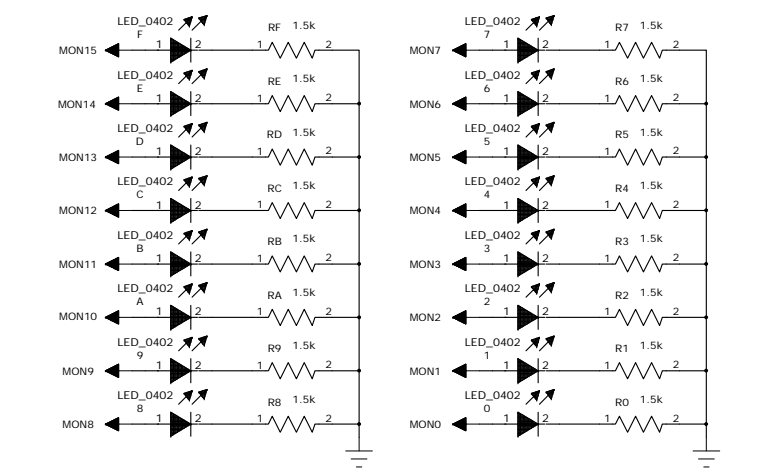
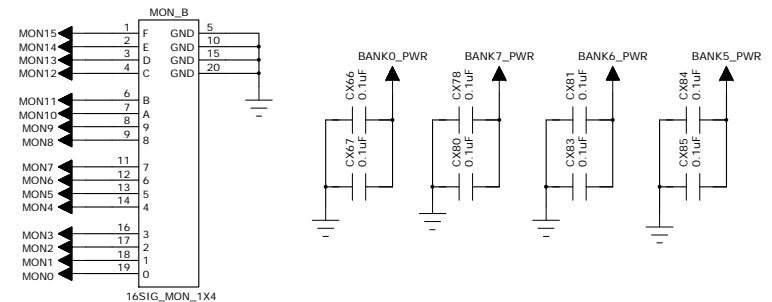
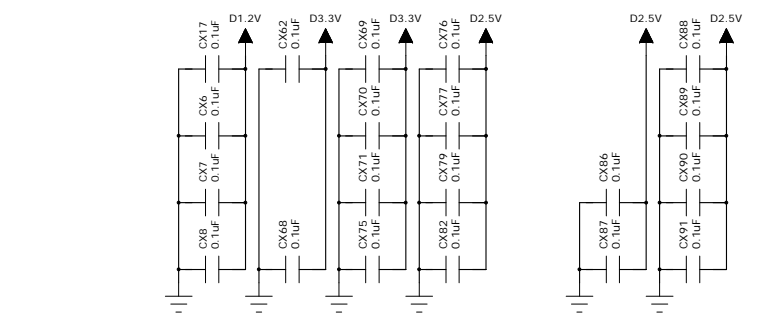
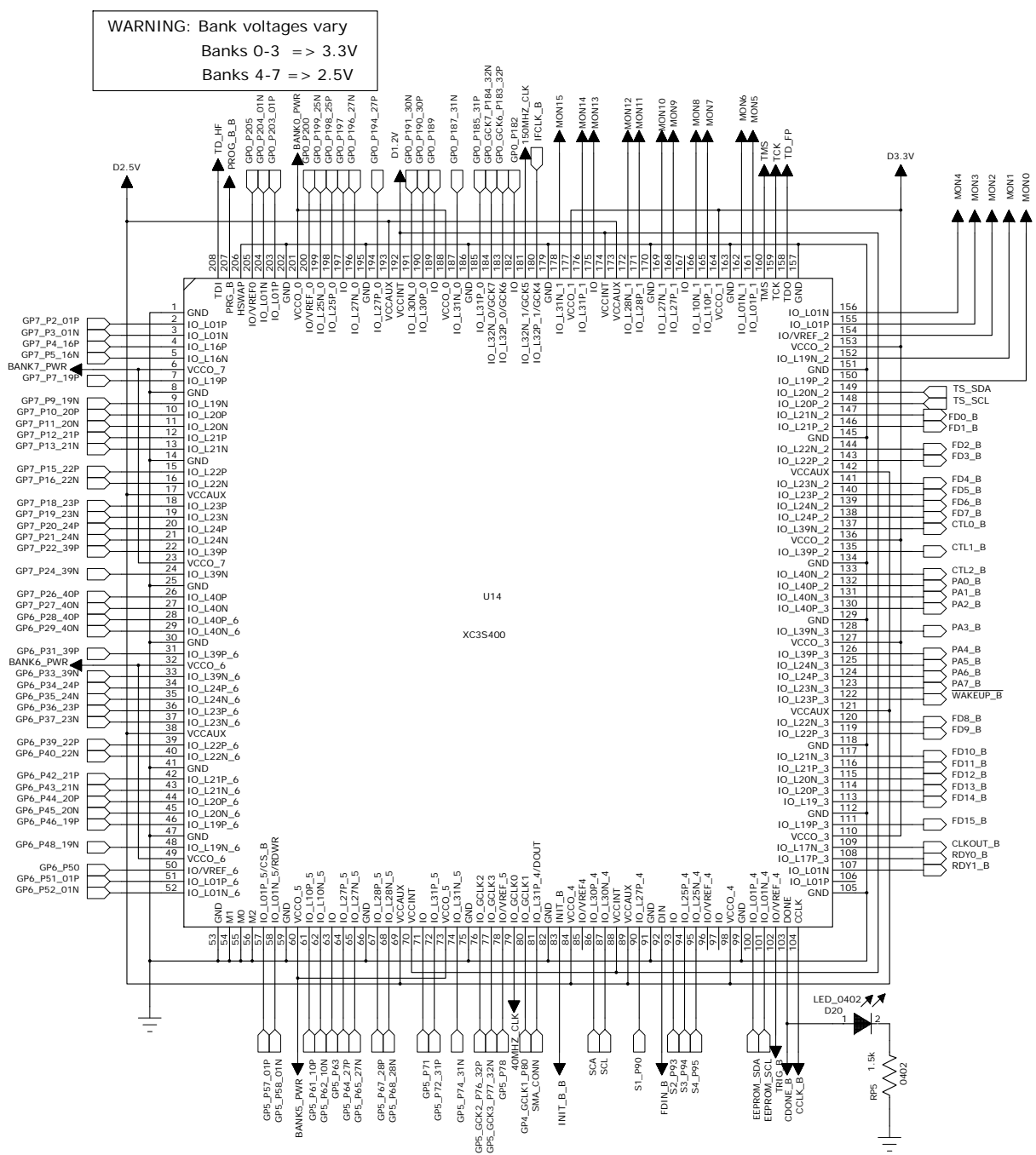


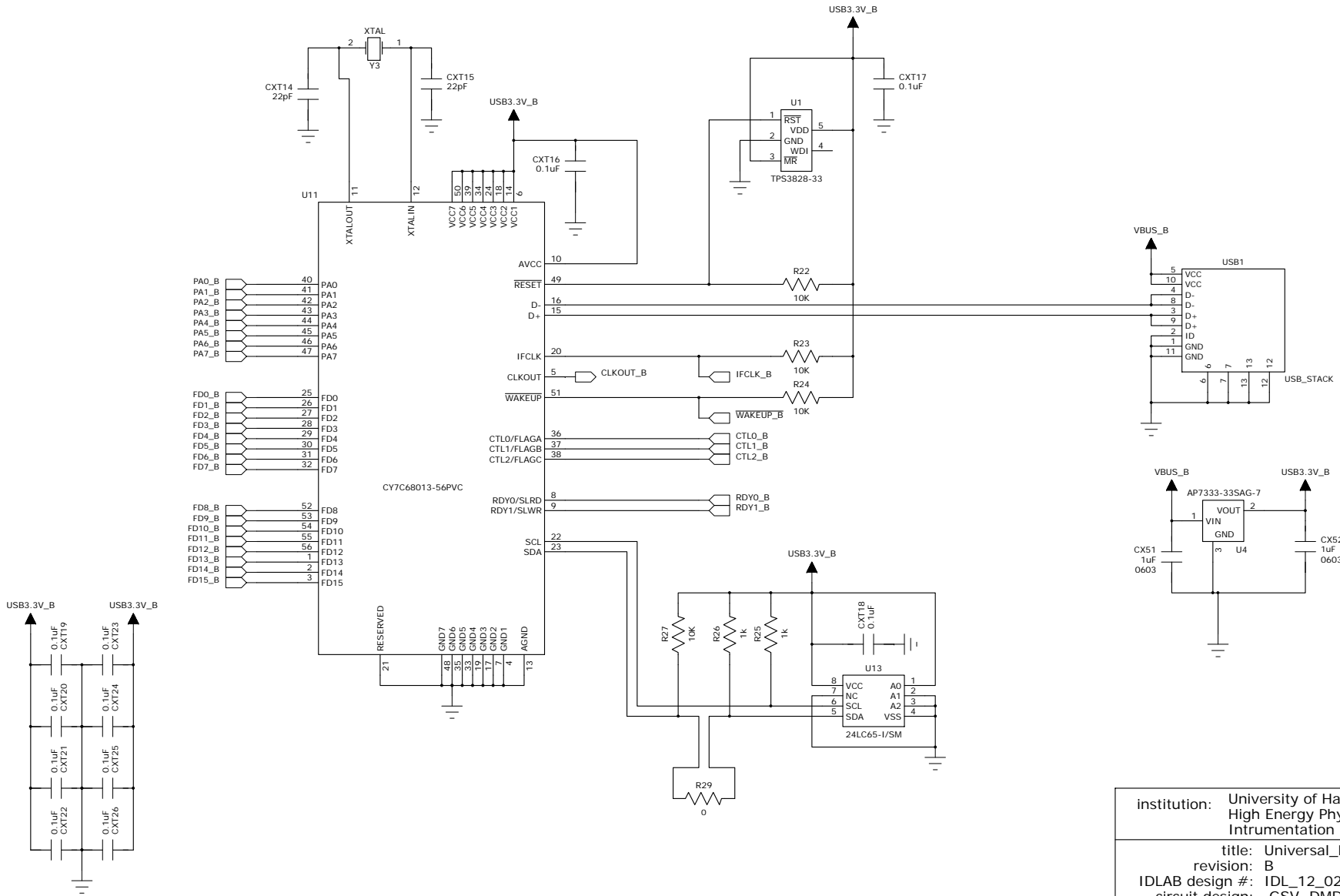
WARNING: Bank voltages vary
 Banks 0-3 => > 3.3V
 Banks 4-7 => 2.5V



institution: University of Hawaii at Manoa
 High Energy Physics Lab
 Instrumentation Development Lab

title: Universal_Eval
 revision: B
 IDLAB design #: IDL_12_022
 circuit design: GSV, DMD, RMC
 PCB design: DMD

sheet #: 1 of 4
 sheet description: Overall ASIC Control
 date last modified: 27 June 2012



institution:	University of Hawaii at Manoa High Energy Physics Lab Instrumentation Development Lab
title:	Universal_Eval
revision:	B
IDLAB design #:	IDL_12_022
circuit design:	GSV, DMD, RMC
PCB design:	DMD
sheet #:	2 of 4
sheet description:	USB 2.0 Interface
date last modified:	27 June 2012

6

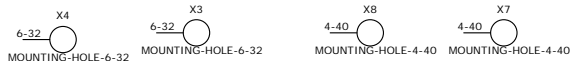
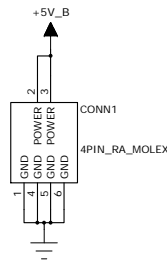
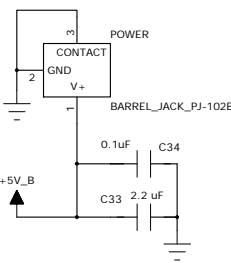
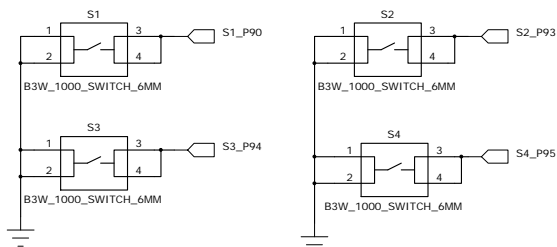
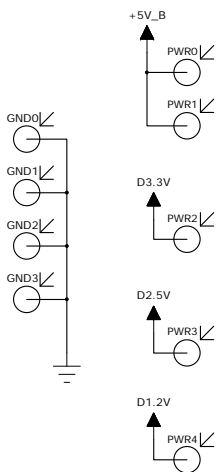
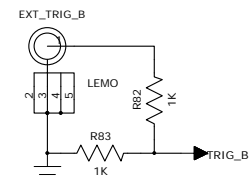
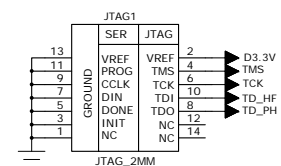
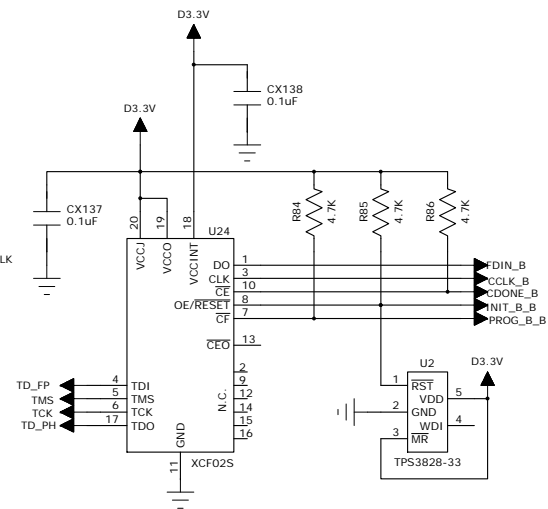
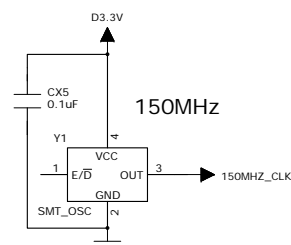
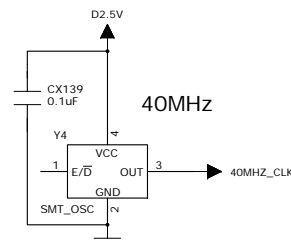
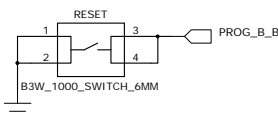
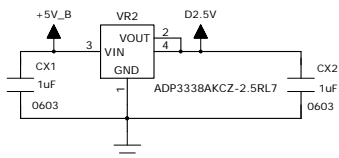
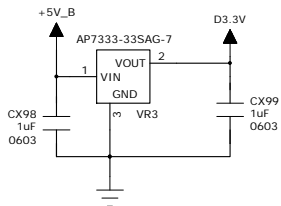
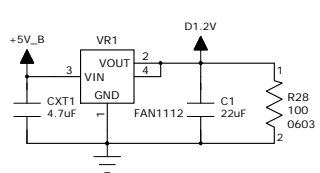
5

4

3

2

1



institution: University of Hawaii at Manoa
High Energy Physics Lab
Instrumentation Development Lab

title: Universal_Eval
revision: B
IDLAB design #: IDL_12_022
circuit design: GSV, DMD, RMC
PCB design: DMD

sheet #: 3 of 4
sheet description: Power Block
date last modified: 27 June 2012

6

5

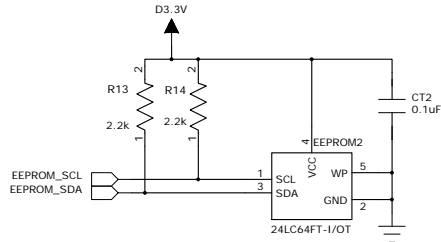
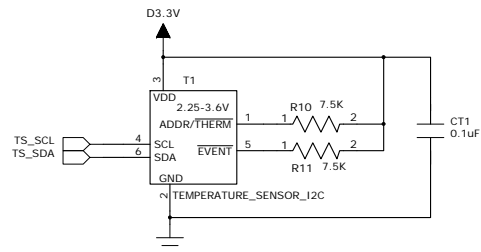
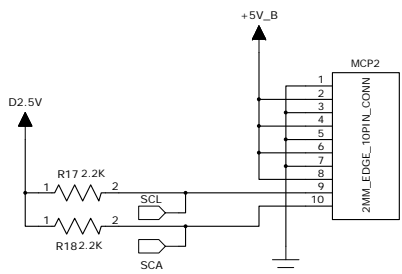
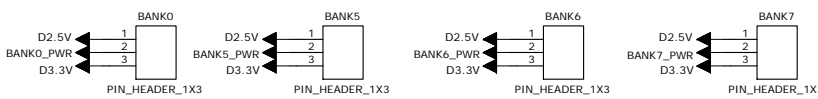
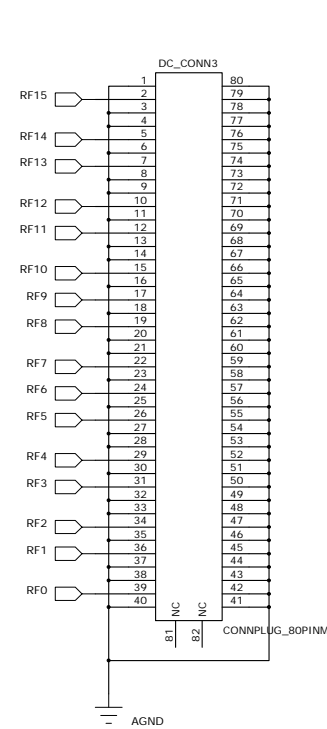
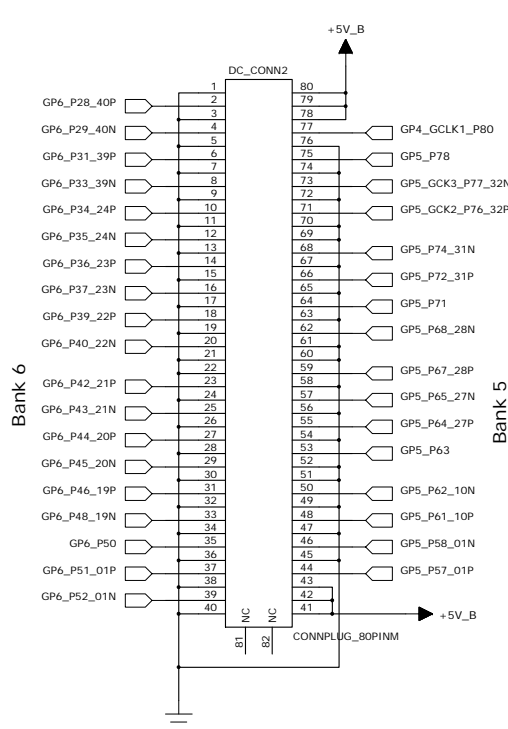
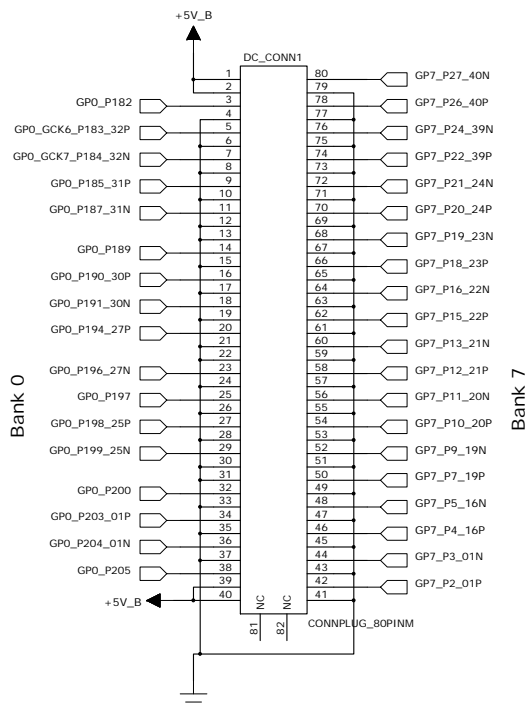
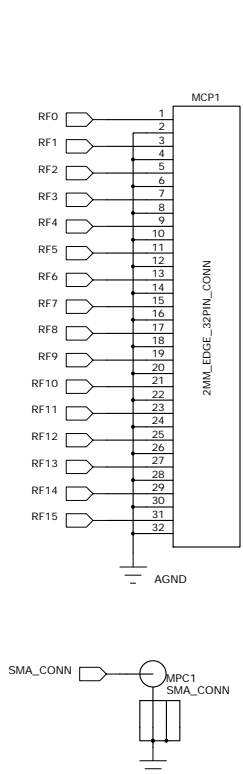
4

3

2

1

NOTE: Arrow on connector indicates pin 1 and corresponds to silkscreen arrow on board (arrow is small and located inside of housing)



institution: University of Hawaii at Manoa
High Energy Physics Lab
Instrumentation Development Lab

title: Universal_Eval
revision: B
IDLAB design #: IDL_12_022
circuit design: GSV, DMD, RMC
PCB design: DMD

sheet #: 4 of 4
sheet description: ASIC DC Input/Output
date last modified: 27 June 2012