

E

D

C

B

A

E

D

C

B

A

6

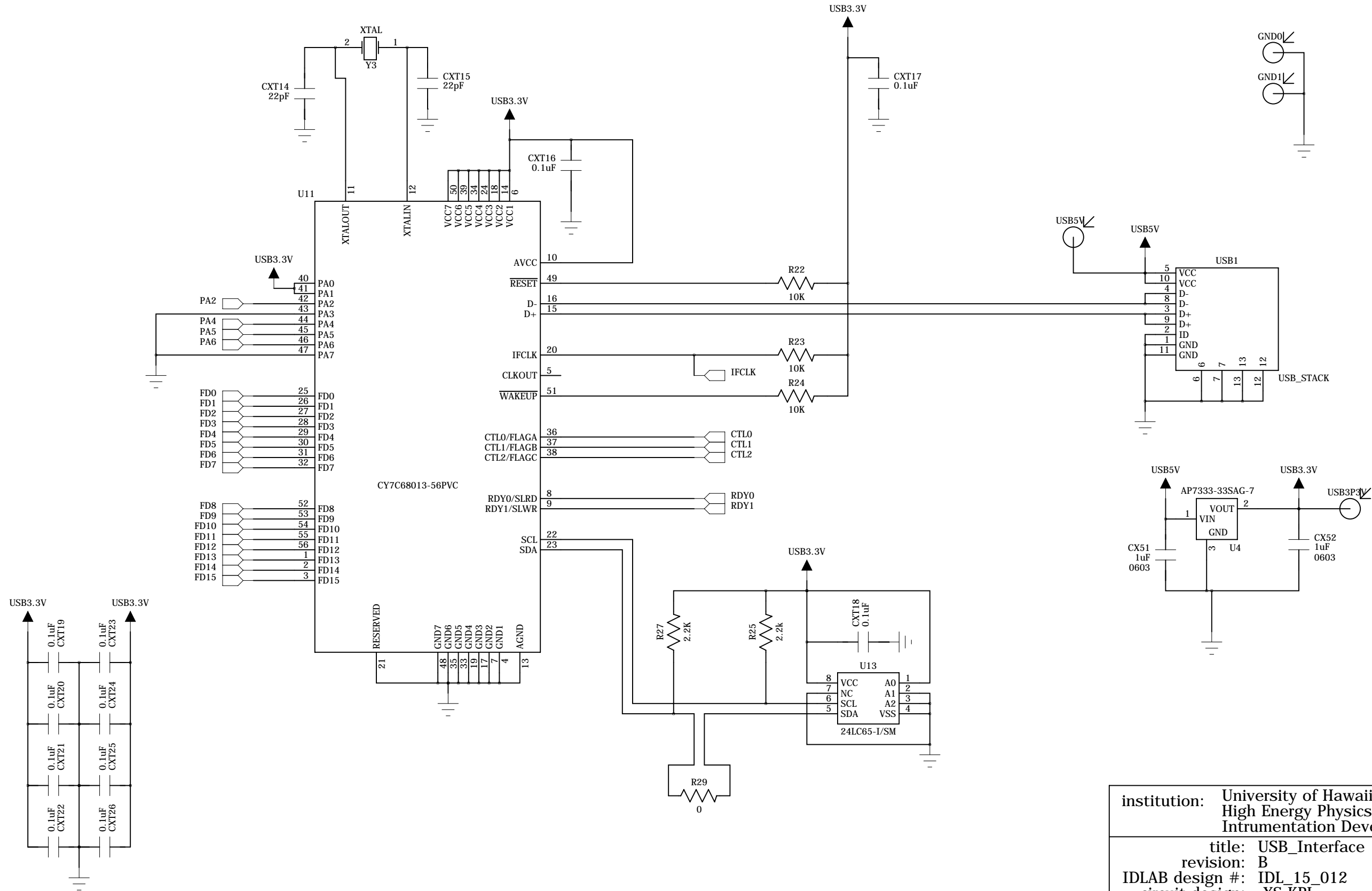
5

4

3

2

1



institution:	University of Hawaii at Manoa High Energy Physics Lab Instrumentation Development Lab
title:	USB_Interface
revision:	B
IDLAB design #:	IDL_15_012
circuit design:	XS,KPL
PCB design:	XS,KPL
sheet #:	1 of 2
sheet description:	USB 2.0 Interface
date last modified:	2015-04

6

5

4

3

2

1

E

E

D

D

C

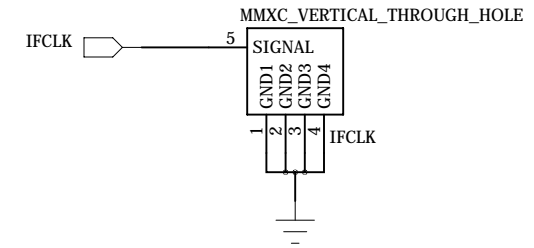
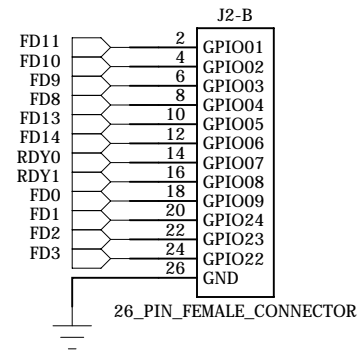
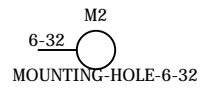
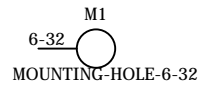
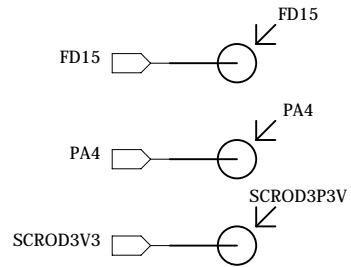
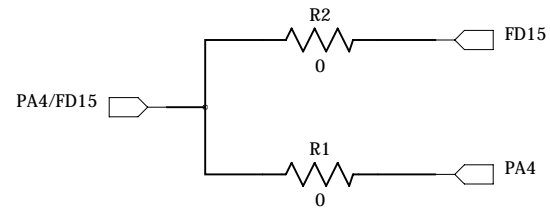
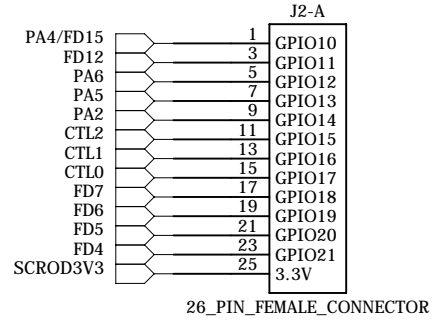
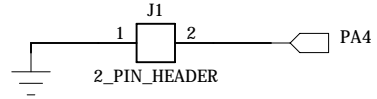
C

B

B

A

A



institution:	University of Hawaii at Manoa High Energy Physics Lab Instrumentation Development Lab
title:	USB_Interface
revision:	B
IDLAB design #:	IDL_15_012
circuit design:	XS,KPL
PCB design:	XS,KPL
sheet #:	2 of 2
sheet description:	LEDs and In/Out
date last modified:	2015-04