

institution:	University of Hawaii at Manoa High Energy Physics Lab Instrumentation Development Lab
title:	TX_ASIC_Test
revision:	A
IDLAB design #:	IDL_15_029
circuit design:	XS
PCB design:	XS
sheet #:	1 of 5
sheet description:	
date last modified:	2015-08-25

6

5

4

3

2

1

E

E

D

D

C

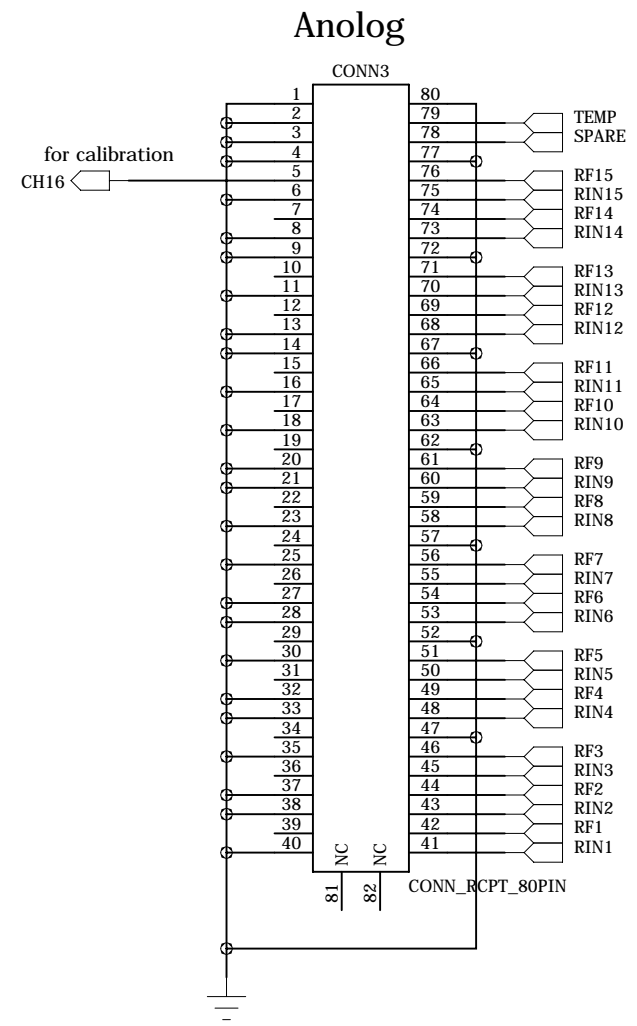
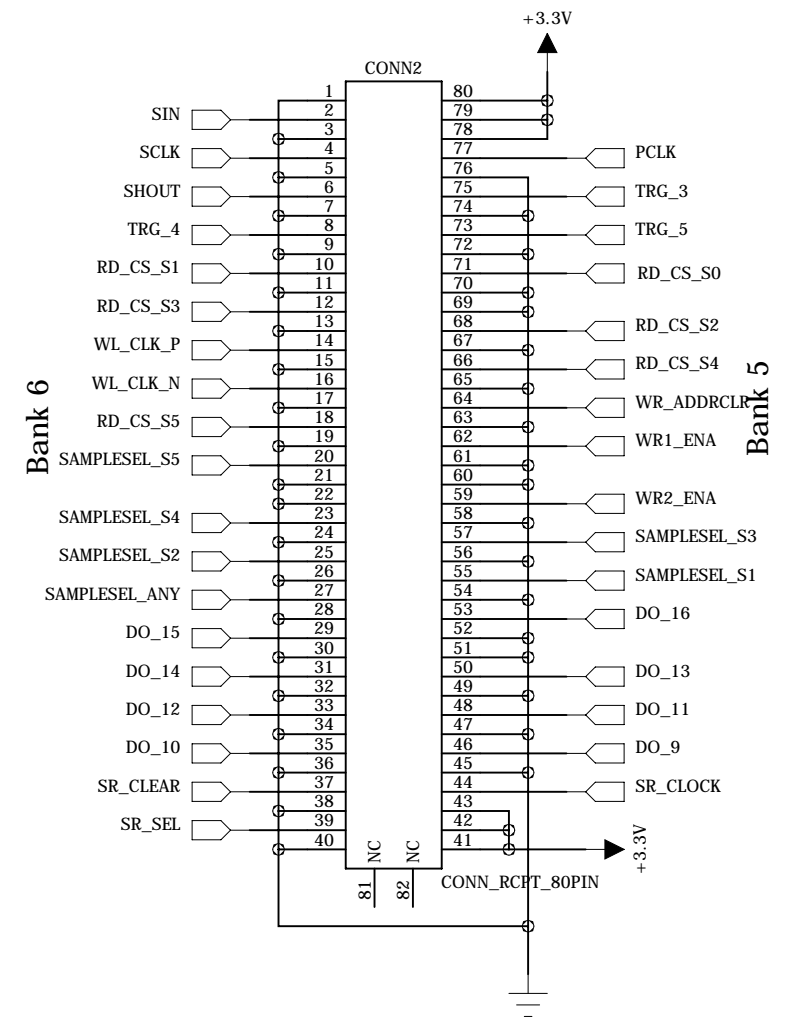
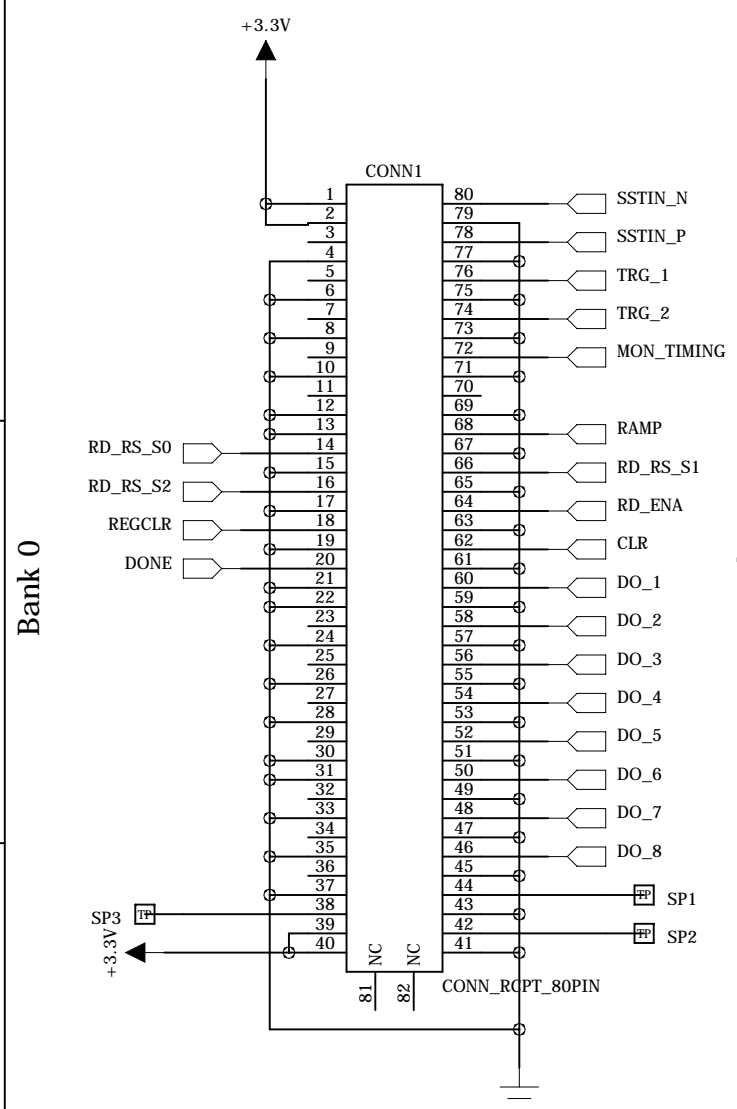
C

B

B

A

A



institution:	University of Hawaii at Manoa High Energy Physics Lab Instrumentation Development Lab
title:	TX_ASIC_Test
revision:	A
IDLAB design #:	IDL_15_029
circuit design:	XS
PCB design:	XS
sheet #:	2 of 5
sheet description:	
date last modified:	2015-08-25

6

5

4

3

2

1

E

D

C

B

A

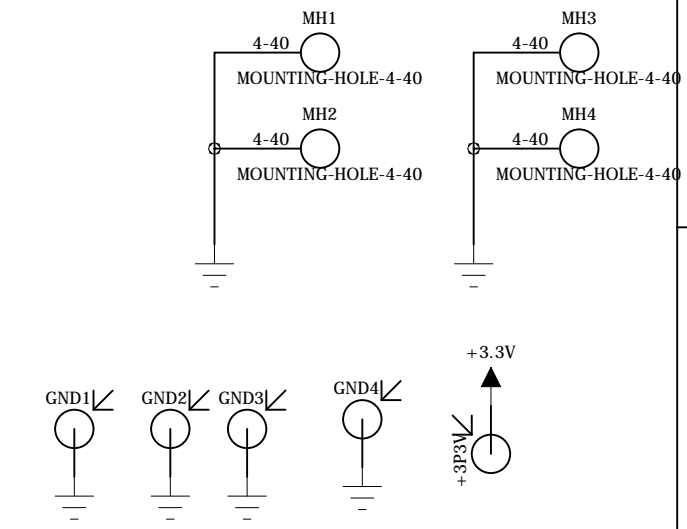
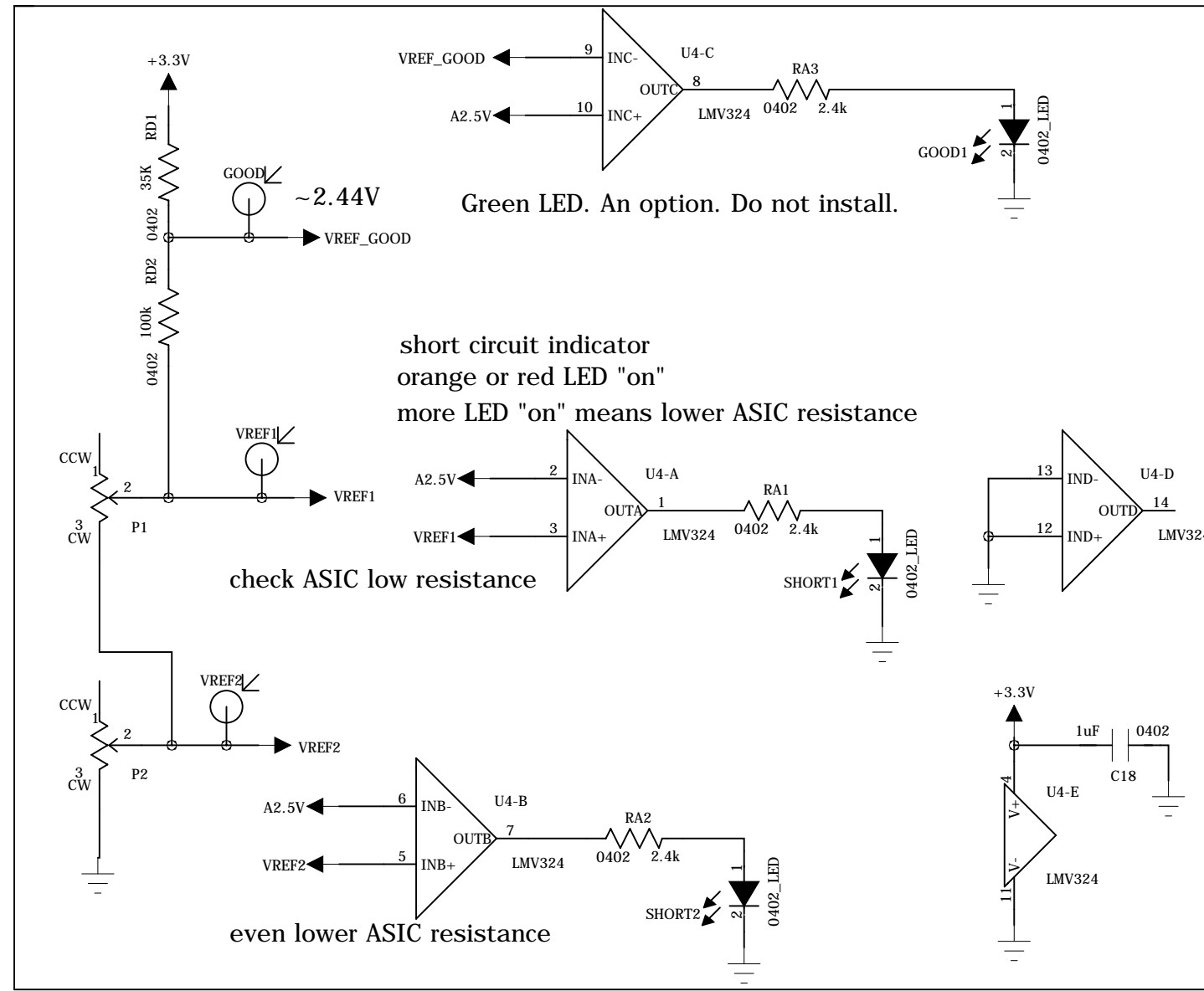
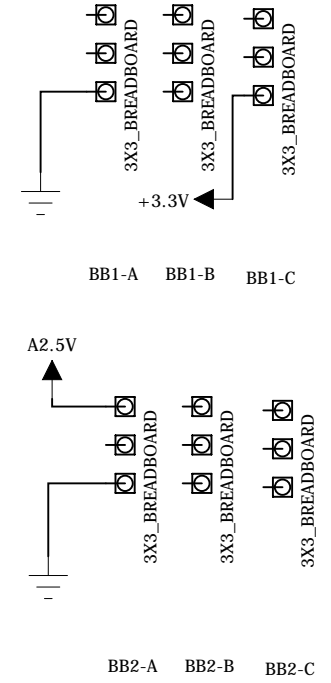
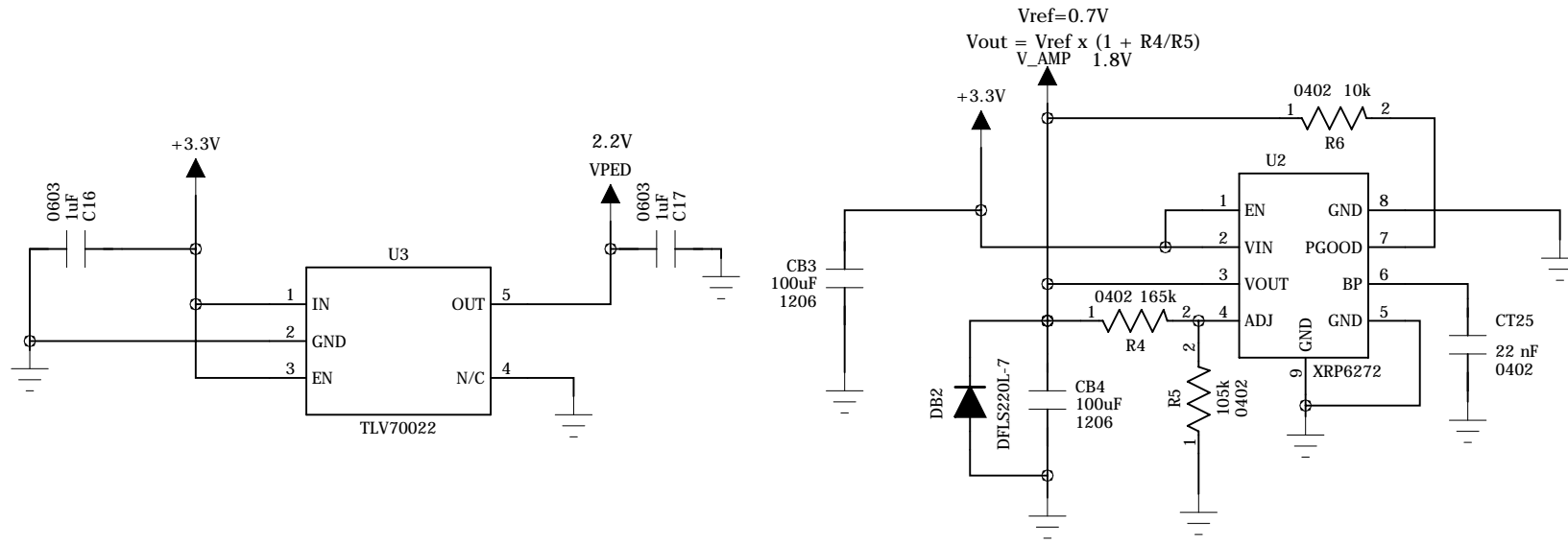
E

D

C

B

A



institution:	University of Hawaii at Manoa High Energy Physics Lab Instrumentation Development Lab
title:	TX_ASIC_Test
revision:	A
IDLAB design #:	IDLAB_15_029
circuit design:	XS
PCB design:	XS
sheet #:	3 of 5
sheet description:	
date last modified:	2015-08-25

6

5

4

3

2

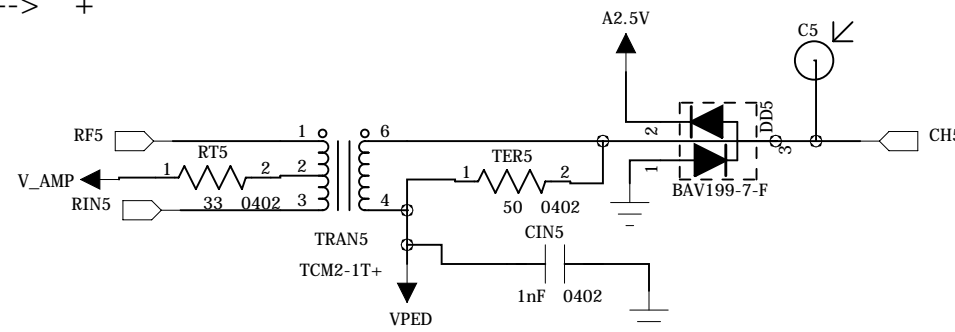
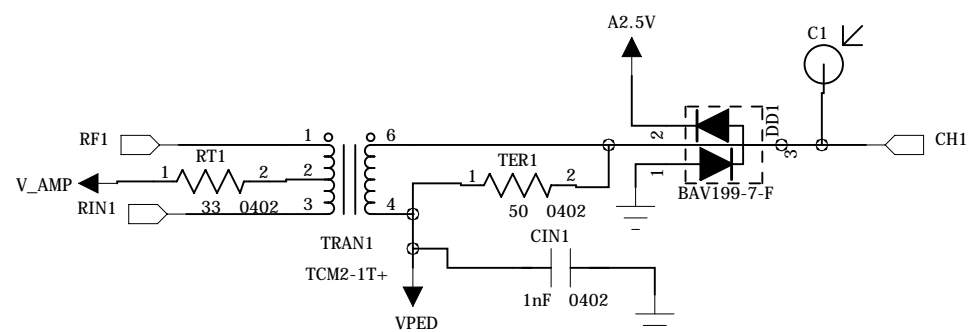
1

E

E

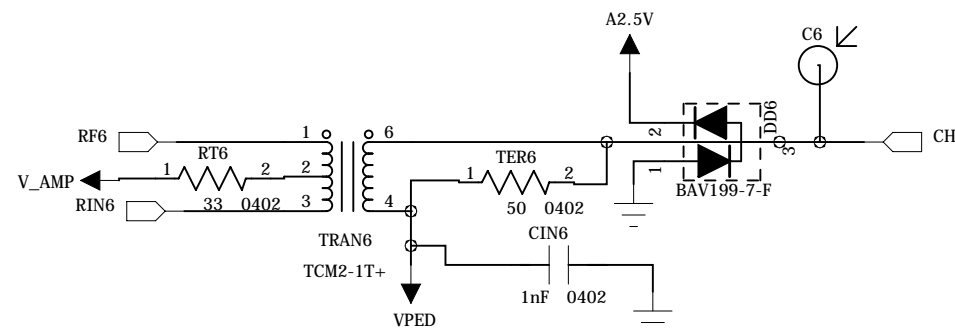
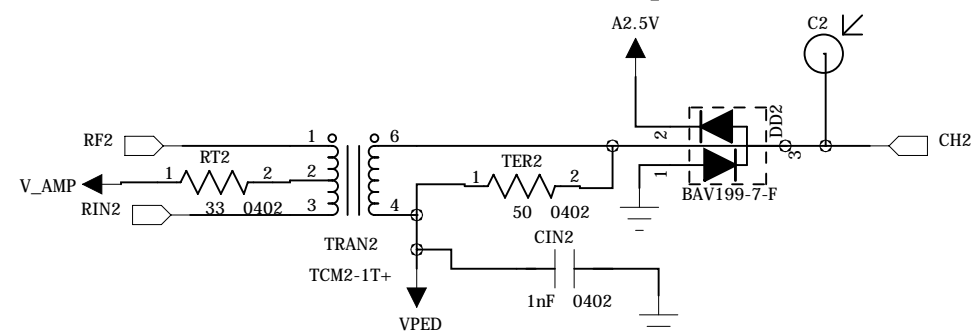
RF <--> OUT2 --> "-"

RIN <--> OUT1 --> "+"



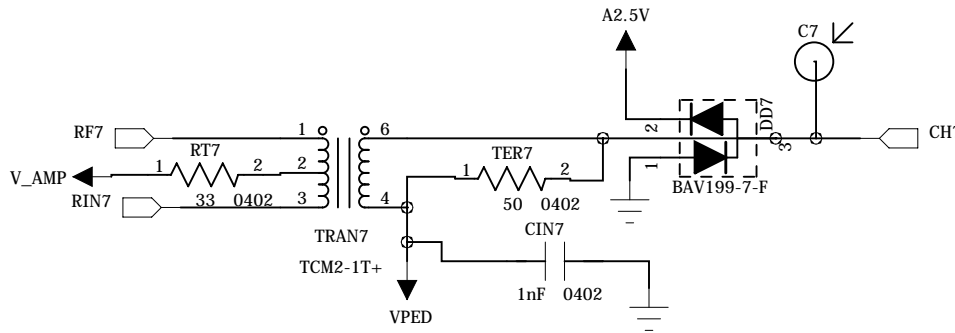
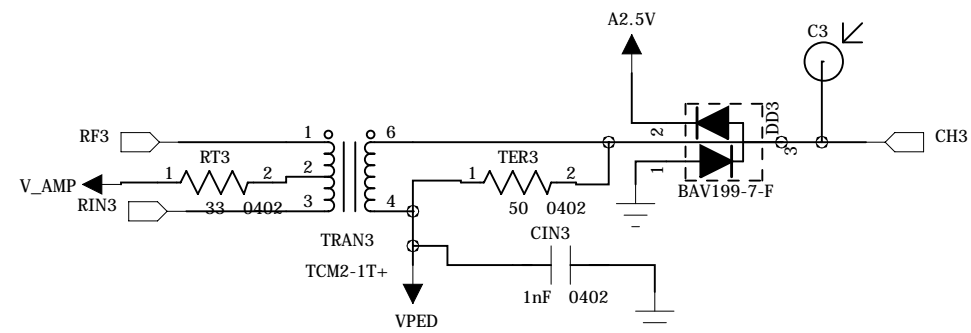
D

D



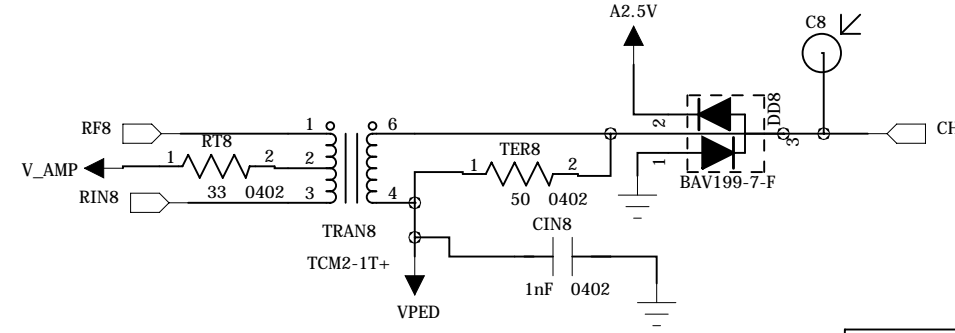
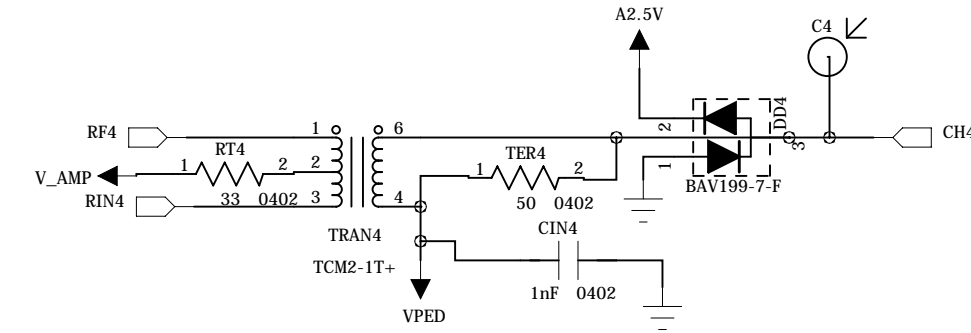
C

C



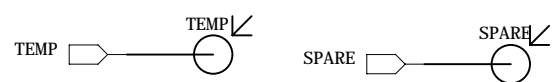
B

B



A

A



institution: University of Hawaii at Manoa
High Energy Physics Lab
Instrumentation Development Lab

title: TX_ASIC_Test
revision: A
IDLAB design #: IDL_15_029
circuit design: XS
PCB design: XS

sheet #: 4 of 5
sheet description:
date last modified: 2015-08-25

6

5

4

3

2

1

E

E

D

D

C

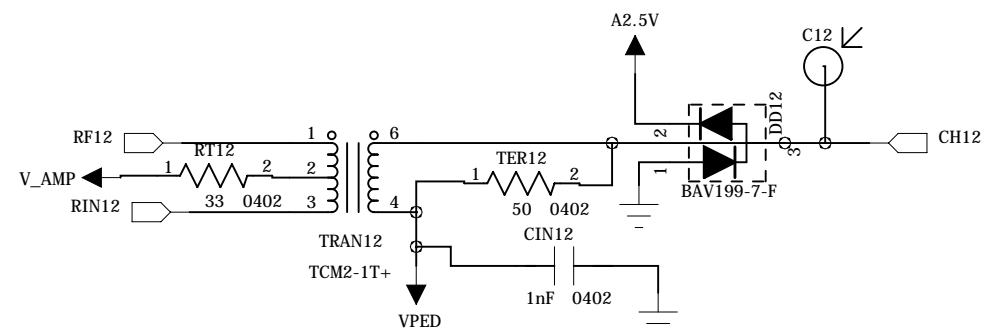
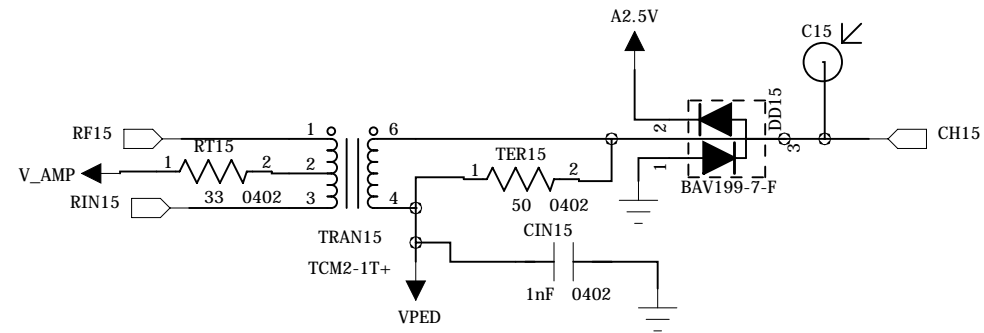
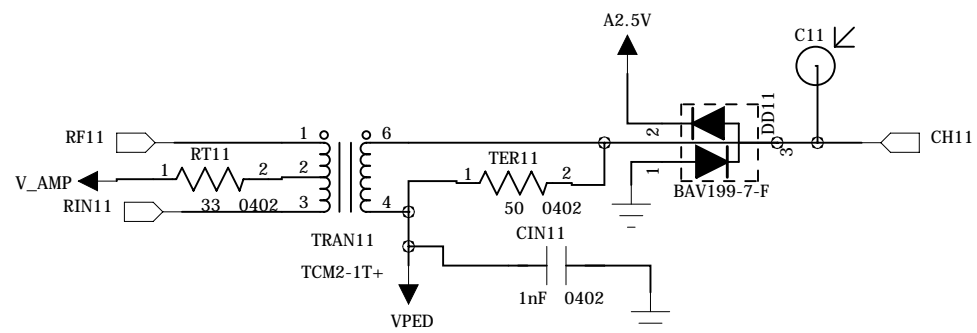
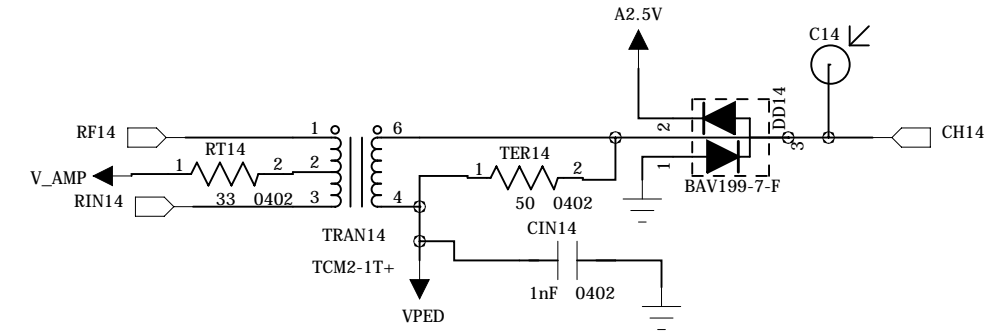
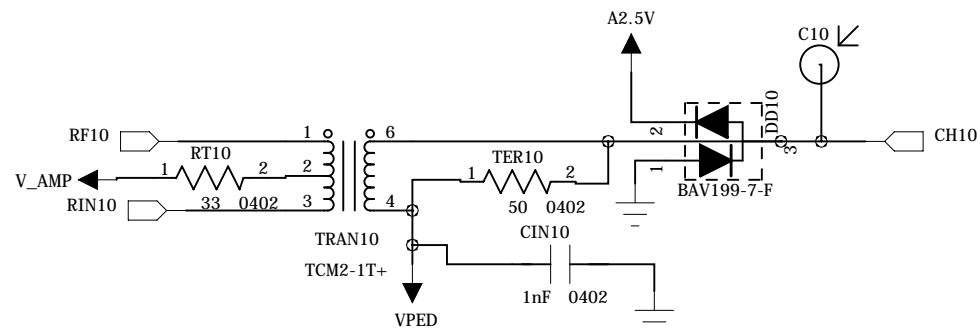
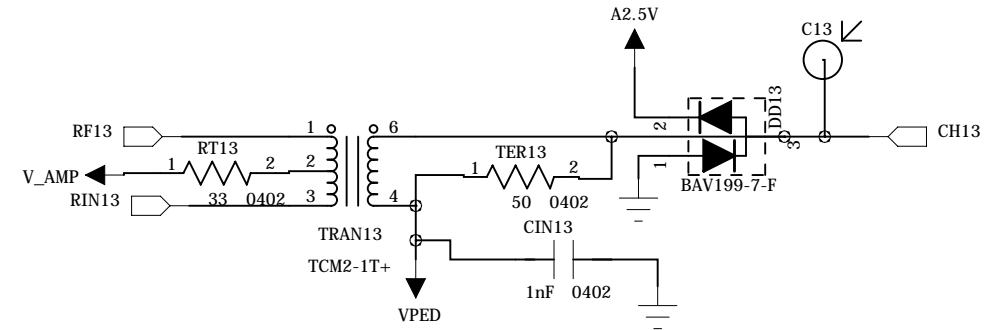
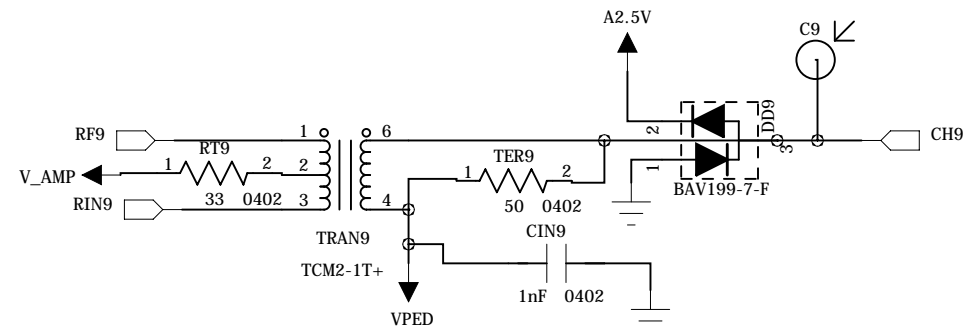
C

B

B

A

A



institution: University of Hawaii at Manoa
High Energy Physics Lab
Instrumentation Development Lab

title: TX_ASIC_Test
revision: A
IDLAB design #: IDL_15_029
circuit design: XS
PCB design: XS

sheet #: 5 of 5
sheet description:
date last modified: 2015-08-25