

6

5

4

3

2

1

E

E

D

D

C

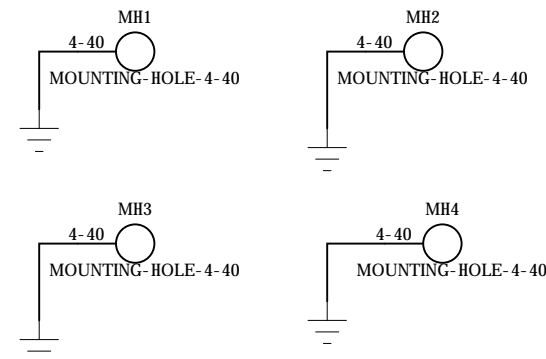
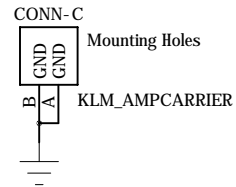
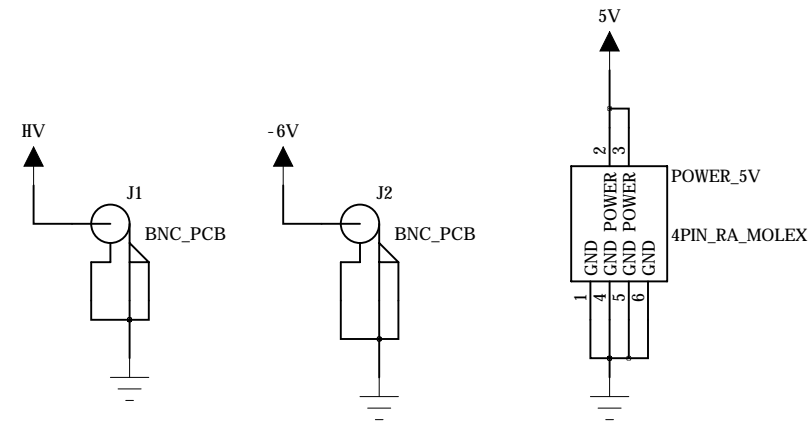
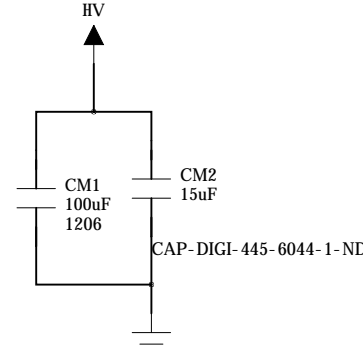
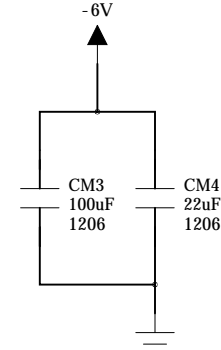
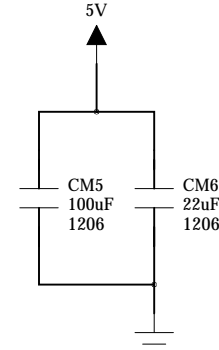
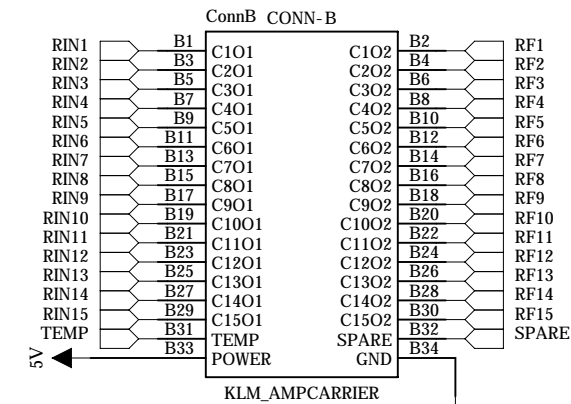
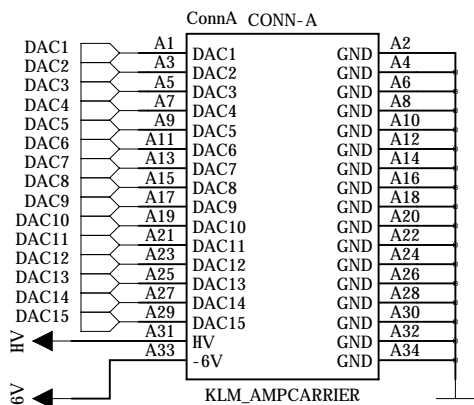
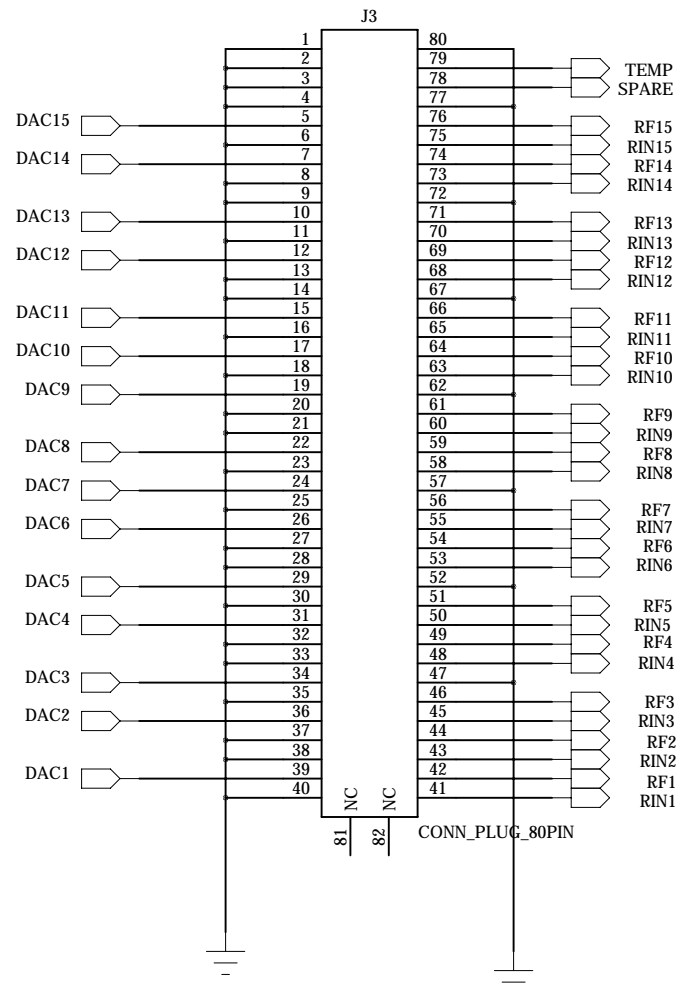
C

B

B

A

A



institution:	University of Hawaii at Manoa High Energy Physics Lab Instrumentation Development Lab
title:	T6DC ACONN Rerouting Board
revision:	A
IDLAB design #:	IDL_13_020
circuit design:	XS
PCB design:	XS
sheet #:	1 of 1
sheet description:	
date last modified:	May-1-2013