

6

5

4

3

2

1

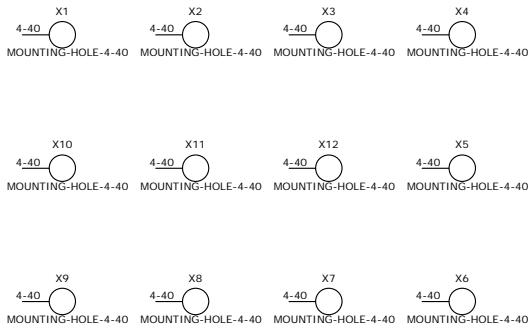
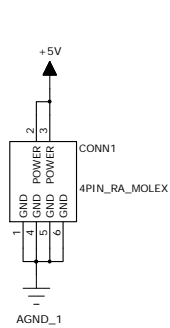
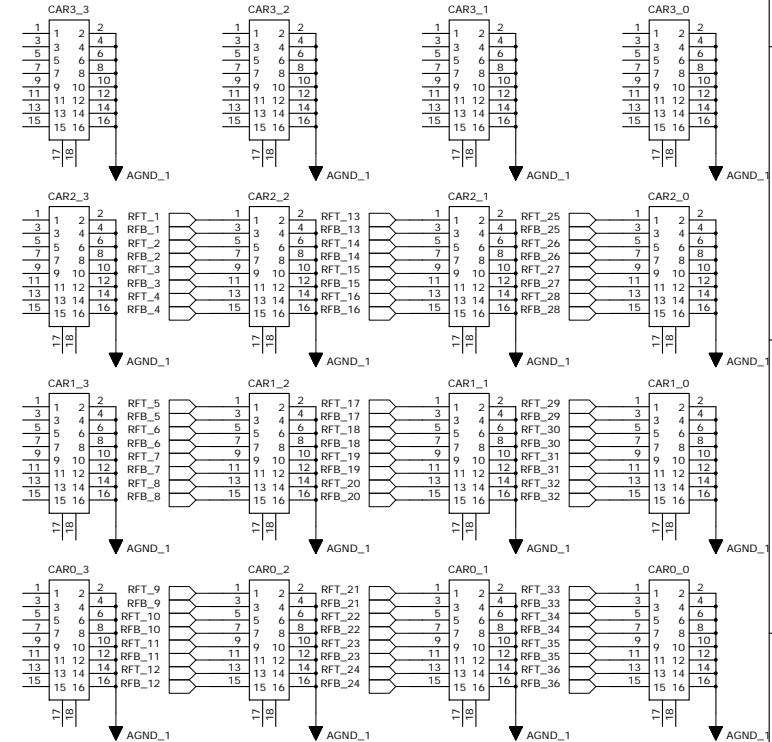
E

D

C

B

A



institution: University of Hawai'i at Manoa
 High Energy Physics Lab
 Instrumentation Development Lab

title: SSL_PMT_Interface
 revision: A
 IDLAB design #: IDL_12_016
 circuit design: DMD
 PCB design: DMD

sheet #: 1 of 1
 sheet description: SSL PMT Interface Board
 date last modified: 29 May 2012

6

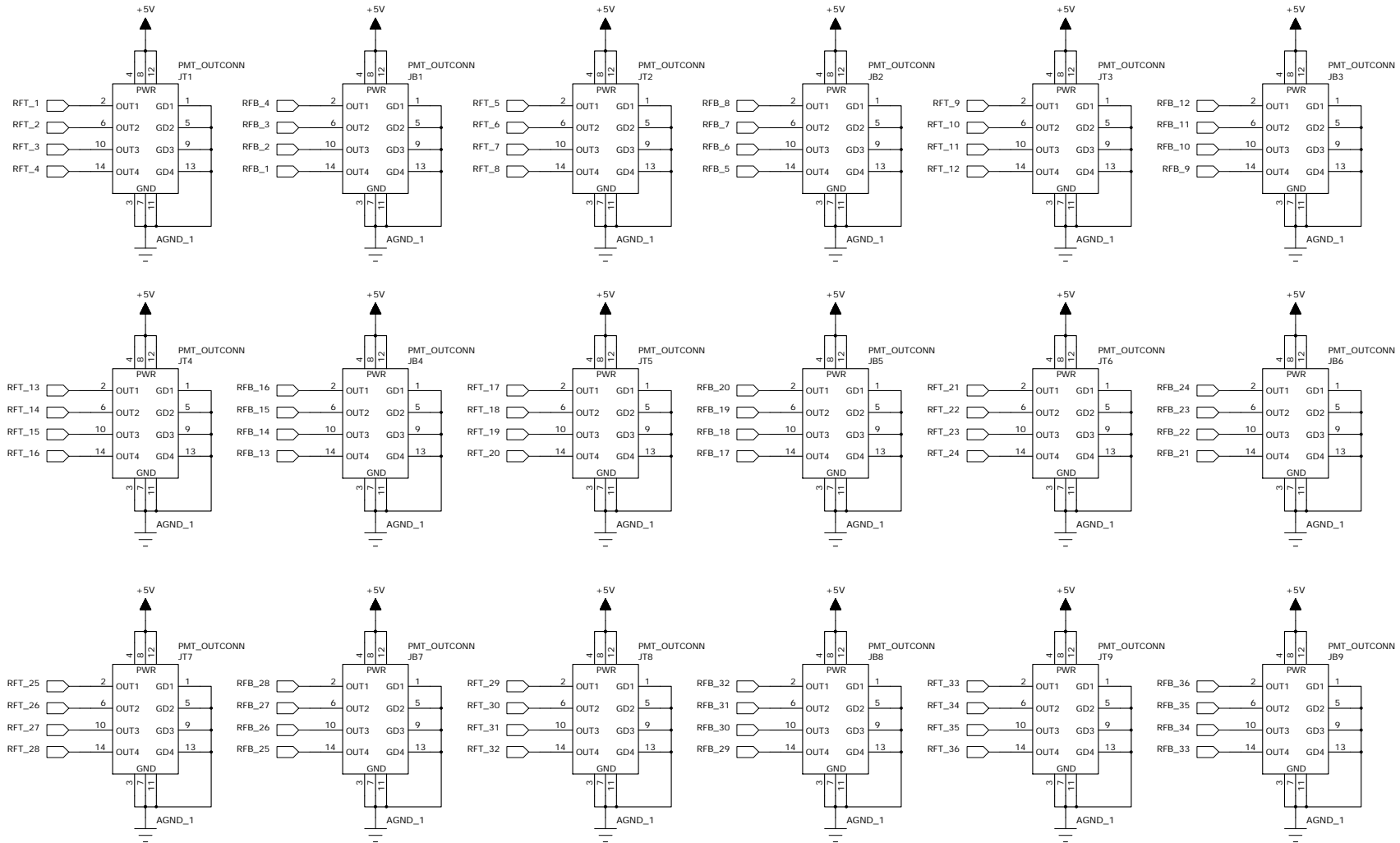
5

4

3

2

1



institution: University of Hawai'i at Manoa
High Energy Physics Lab
Instrumentation Development Lab

title: SSL_PMT_Interface
revision: A
IDLAB design #: IDL_12_016
circuit design: DMD
PCB design: DMD

sheet #: 2 of 2
sheet description: SSL PMT Interface Board
date last modified: 29 May 2012