

6

5

4

3

2

1

E

E

D

D

C

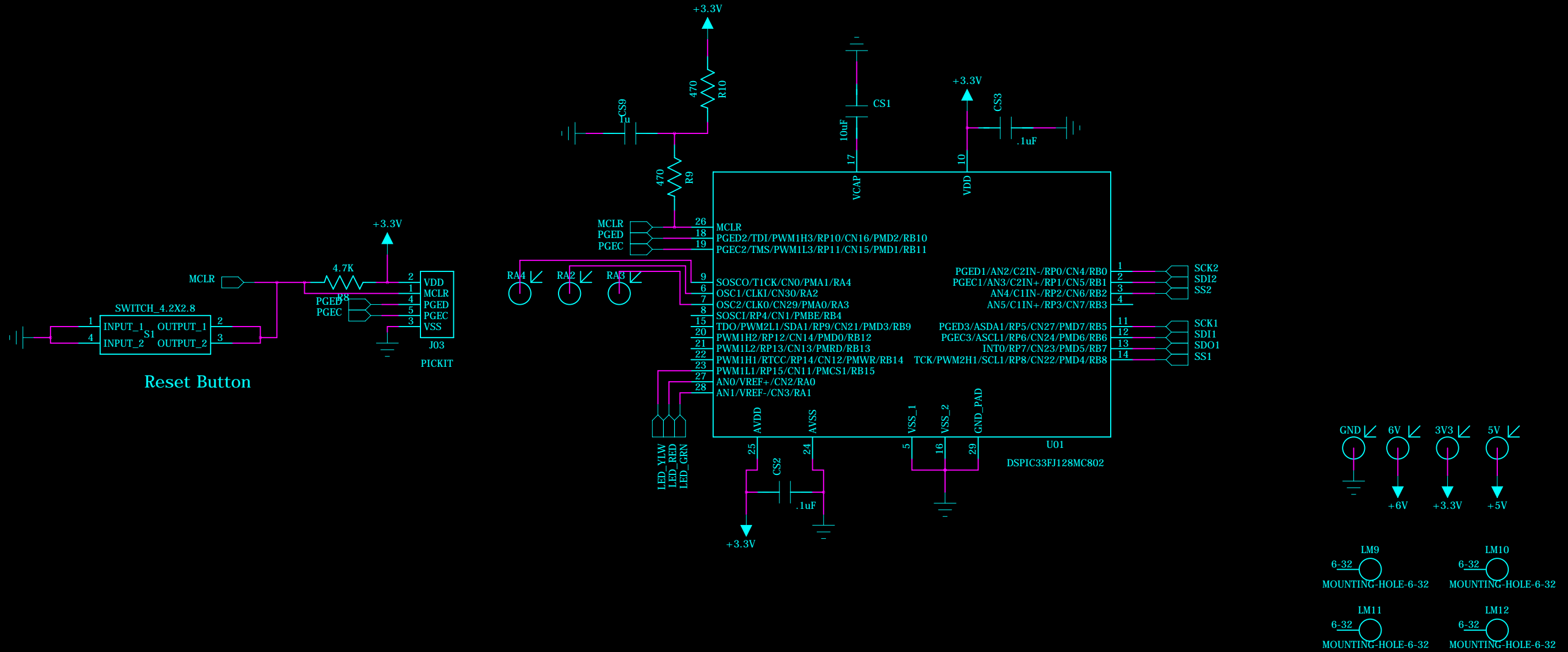
C

B

B

A

A



institution:	University of Hawaii at Manoa Hawaii Energy Physics Group Instrumentation Design Lab
title:	RoF_Trans
revision:	A1
IDLAB design #:	IDL_2014_012
circuit design:	JLB
PCB design:	JLB
sheet #:	1 of 1
sheet description:	RoF_Trans
date last modified:	4/20/2014

6

5

4

3

2

1

E

E

D

D

C

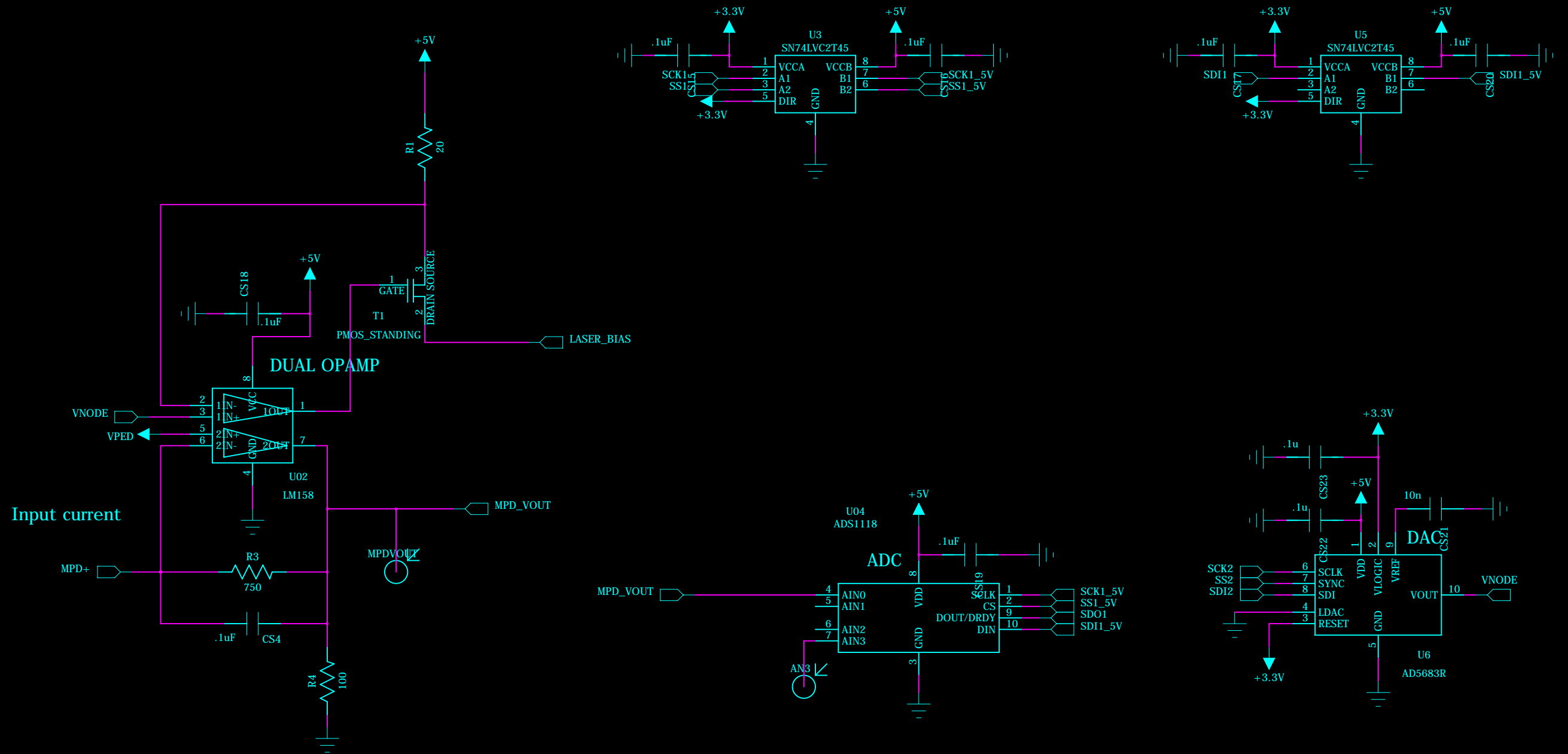
C

B

B

A

A



institution:	University of Hawaii at Manoa Hawaii Energy Physics Group Instrumentation Design Lab
title:	RoF_Trans
revision:	A1
IDLAB design #:	IDL_2014_012
circuit design:	JLB
PCB design:	JLB
sheet #:	2 of 3
sheet description:	current_to_current_converter
date last modified:	4/20/2014

6

5

4

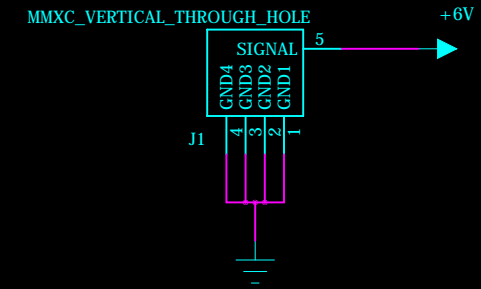
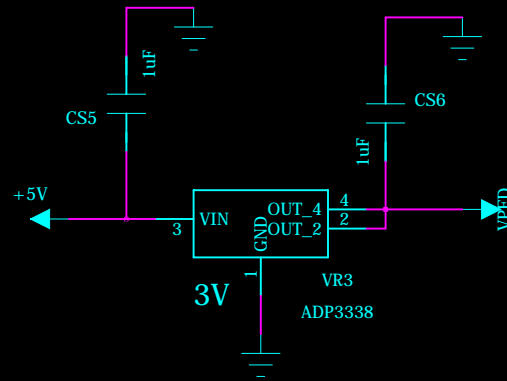
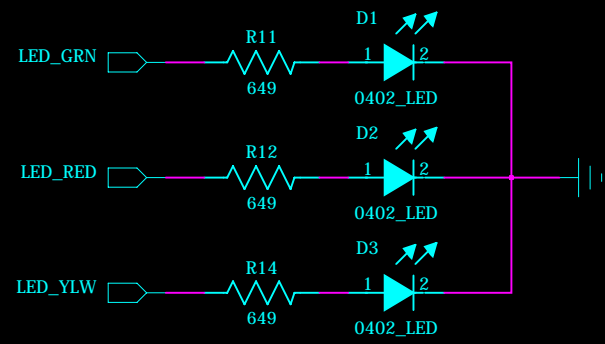
3

2

1

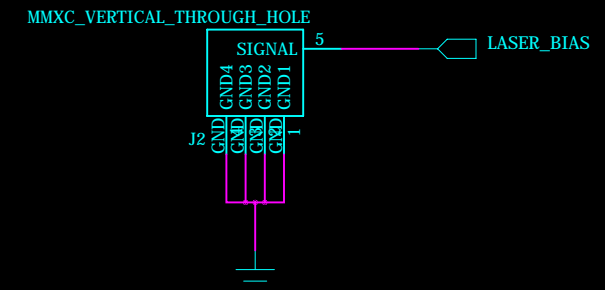
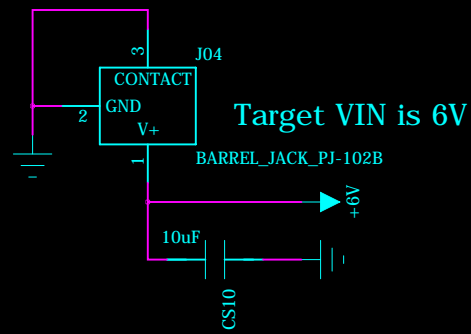
E

E



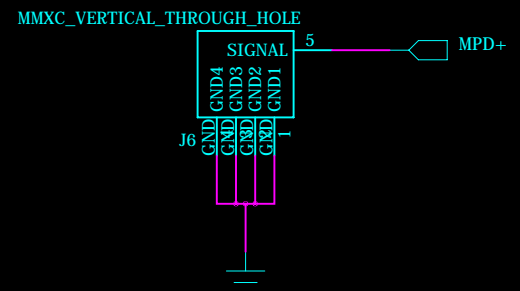
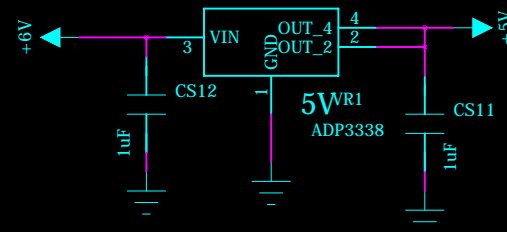
D

D



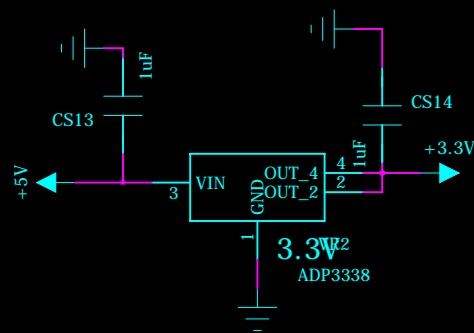
C

C



B

B



A

A

institution: University of Hawaii at Manoa
Hawaii Energy Physics Group
Instrumentation Design Lab

title: RoF_Trans
revision: A1
IDLAB design #: IDL_2014_012
circuit design: JLB
PCB design: JLB

sheet #: 3 of 3
sheet description: RoF_Trans & Power
date last modified: 4/20/2014