

6

5

4

3

2

1

E

E

D

D

C

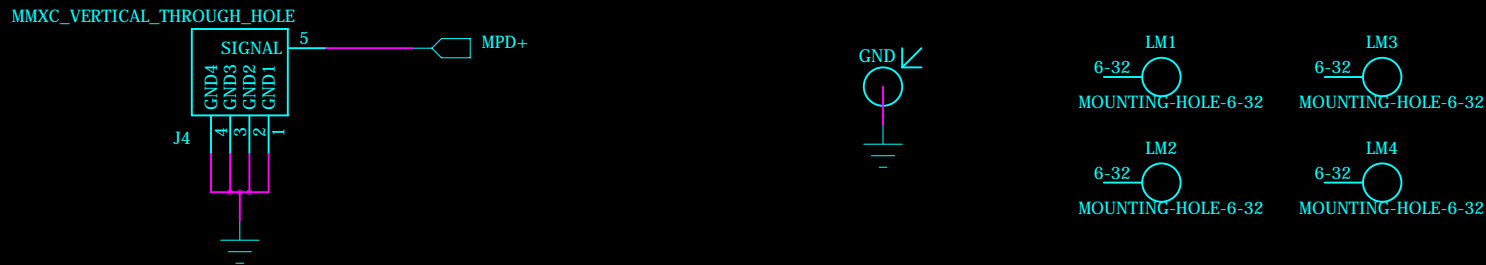
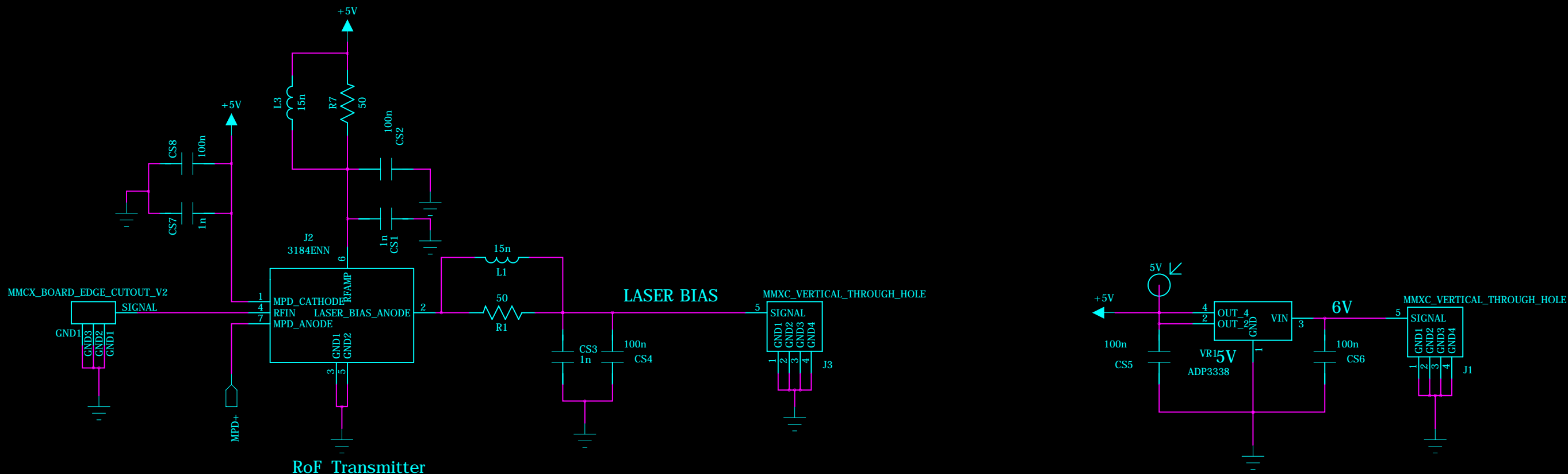
C

B

B

A

A



institution:	University of Hawaii at Manoa Hawaii Energy Physics Group Instrumentation Design Lab
title:	RoF_Trans
revision:	A1
IDLAB design #:	IDL_2014_012
circuit design:	JLB
PCB design:	JLB
sheet #:	3 of 3
sheet description:	RoF_Trans & Power
date last modified:	4/20/2014