

6

5

4

3

2

1

E

E

D

D

C

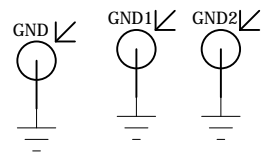
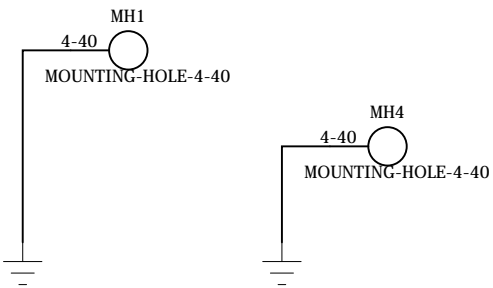
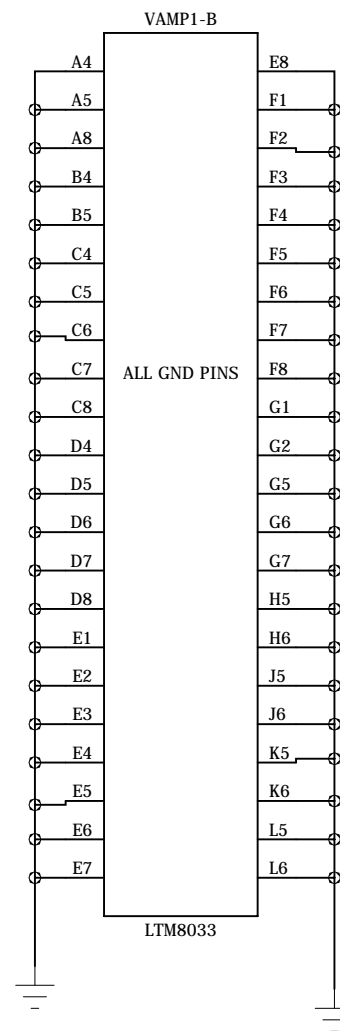
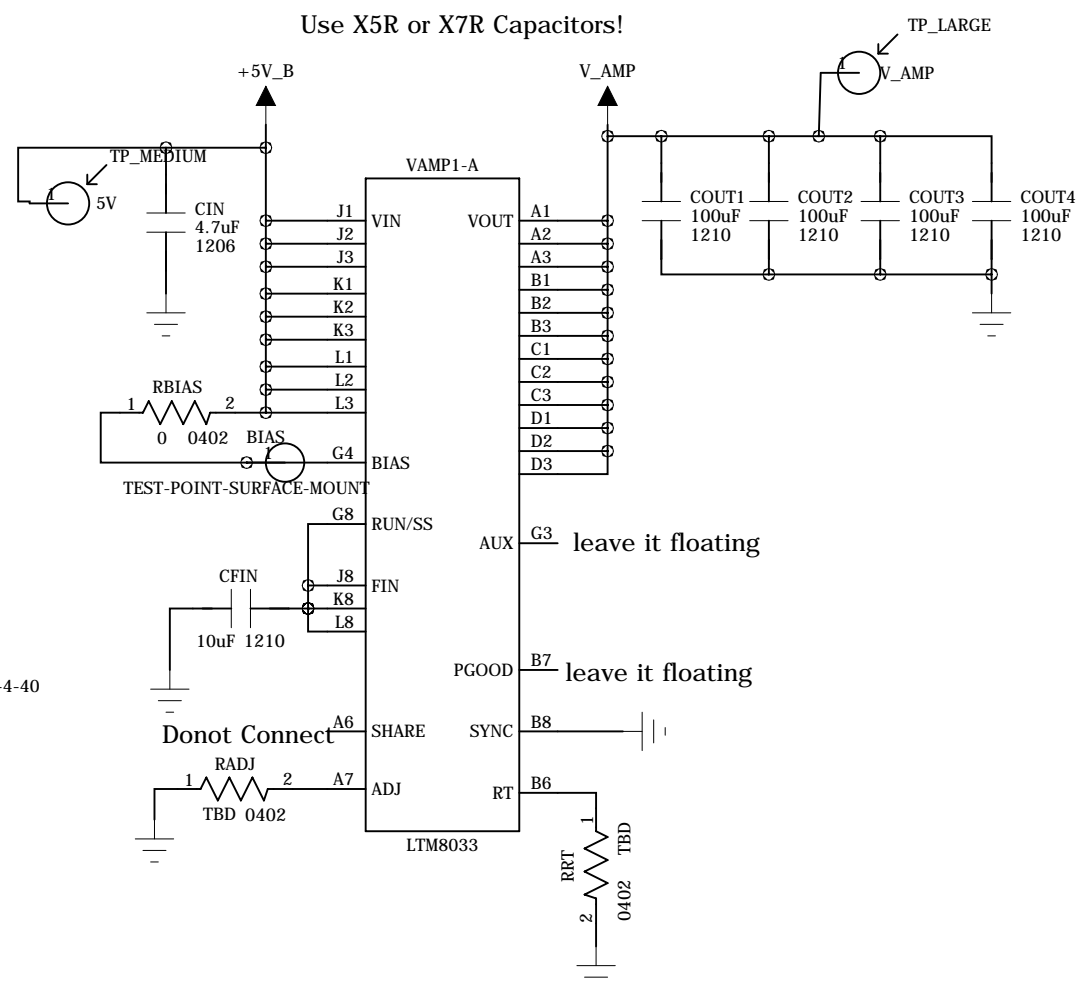
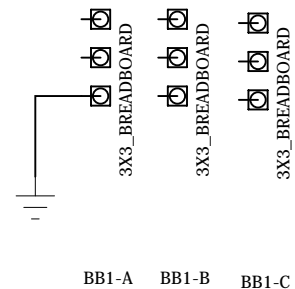
C

B

B

A

A



institution:	University of Hawaii at Manoa High Energy Physics Lab Instrumentation Development Lab
title:	Preamp Power Board
revision:	A
IDLAB design #:	IDL_14_046
circuit design:	XS
PCB design:	XS
sheet #:	1 of 1
sheet description:	
date last modified:	2014-11-28