

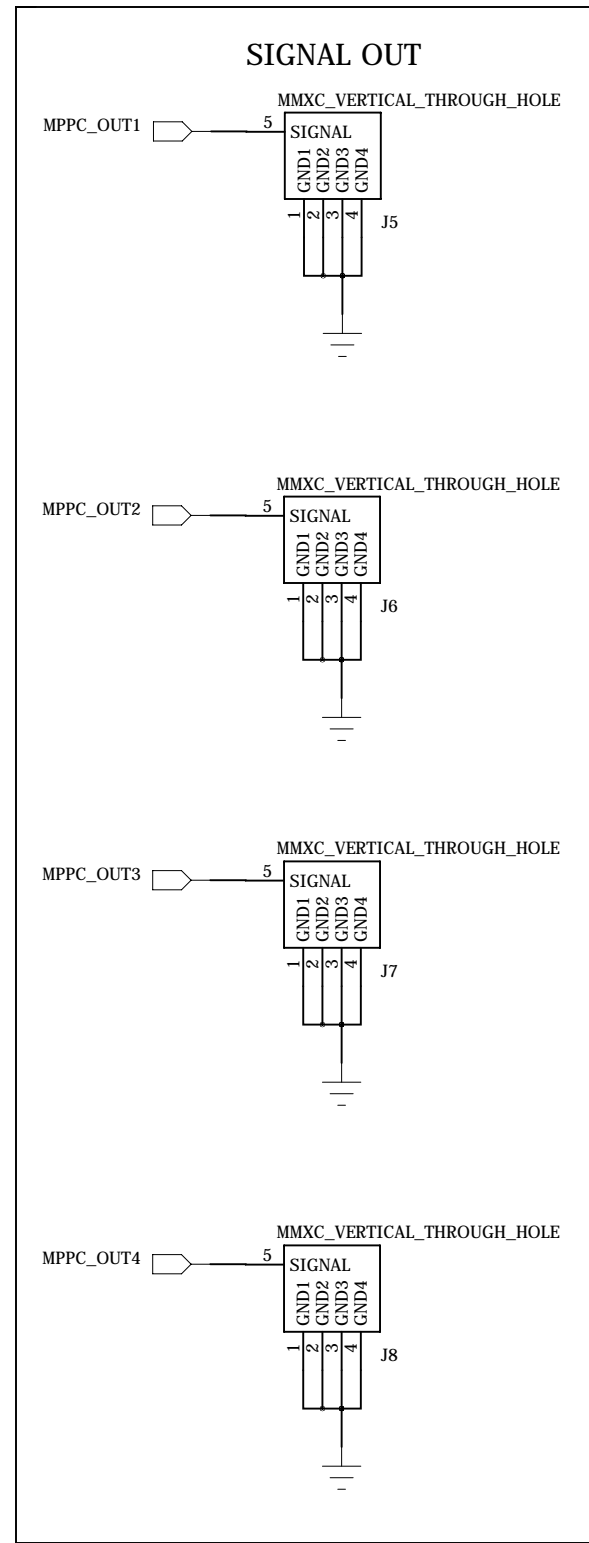
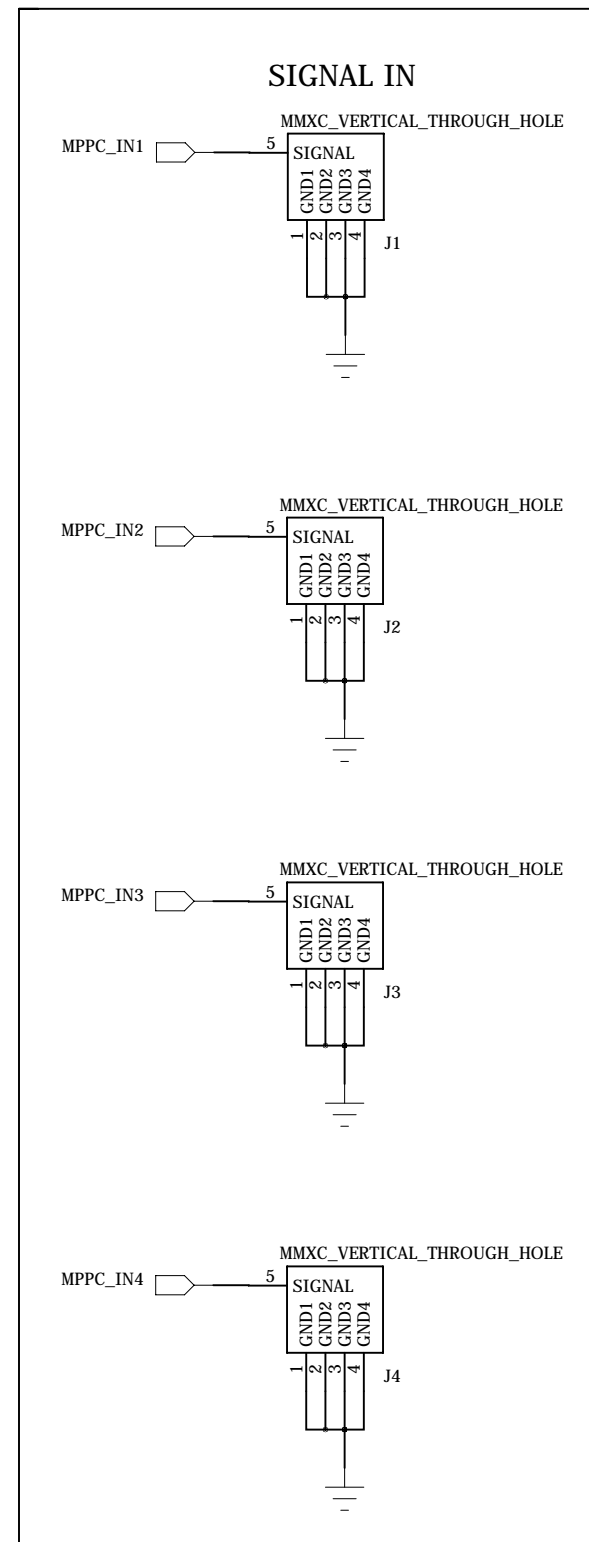
E

D

C

B

A



E

D

C

B

A

institution:	University of hawaii at Manoa High Energy Physics Lab Instrumentation Development Lab
title:	Read Out Board
revision:	A
IDLAB design #:	IDL_015_018
circuit design:	GV,KPL,JB,LV
PCB design:	GV,KPL,JB,LV
sheet #:	1
sheet description:	MMCX connectors
date last modified:	5/29/2015

6

5

4

3

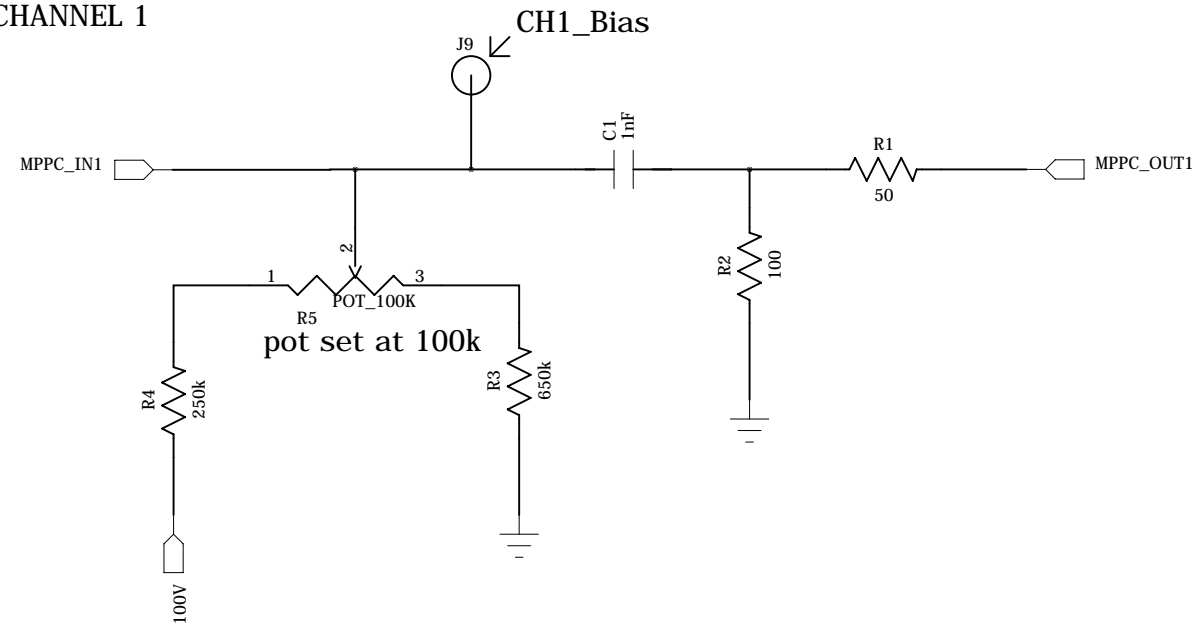
2

1

E

E

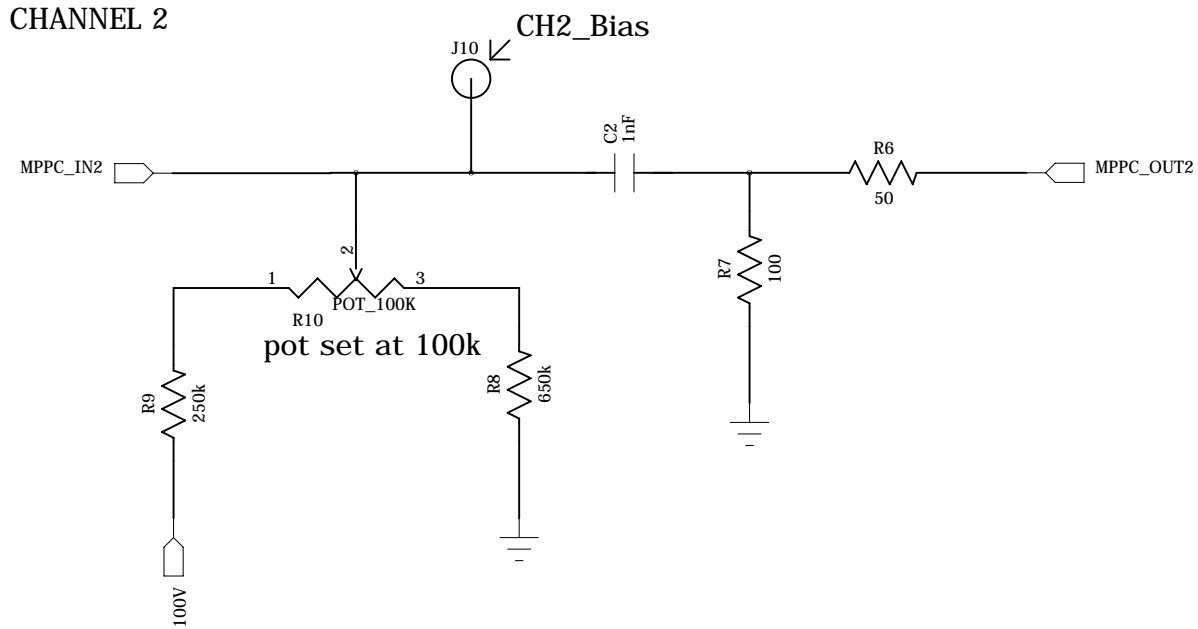
CHANNEL 1



D

D

CHANNEL 2



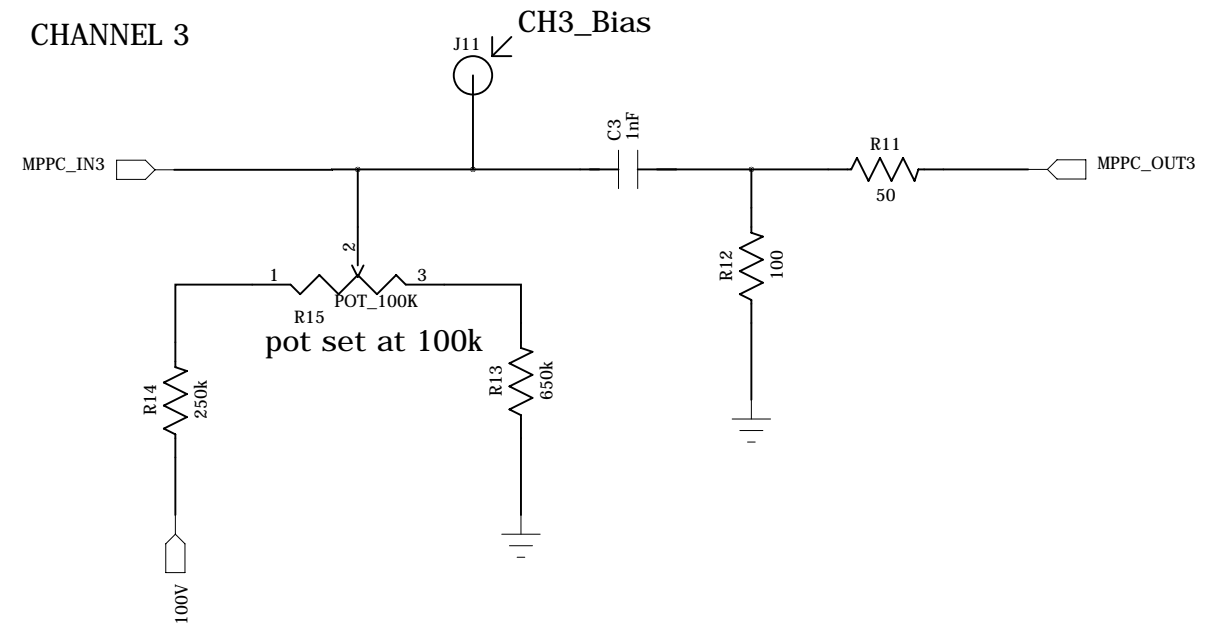
C

C

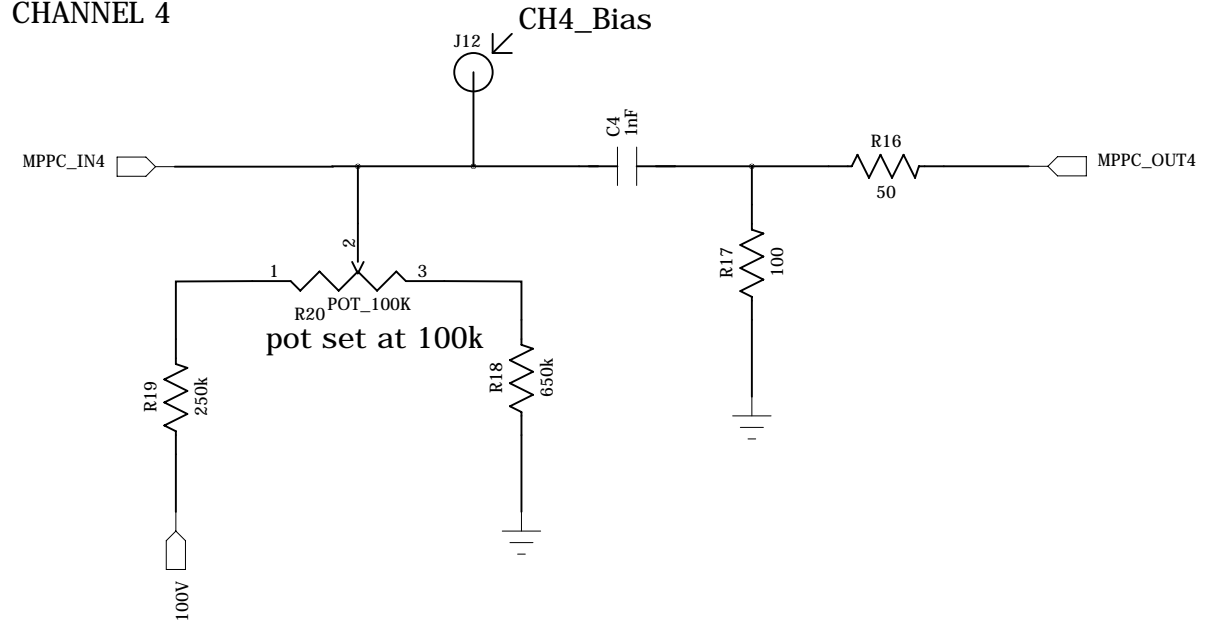
B

B

CHANNEL 3



CHANNEL 4



A

A

institution: University of hawaii at Manoa
High Energy Physics Lab
Instrumentation Development Lab

title: Read Out Board
revision: A
IDLAB design #: IDL_015_018
circuit design: GV,KPL,JB,LV
PCB design: GV,KPL,JB,LV

sheet #: 2
sheet description: Singal chain Circuit
date last modified: 5/29/2015

6

5

4

3

2

1

E

E

D

D

C

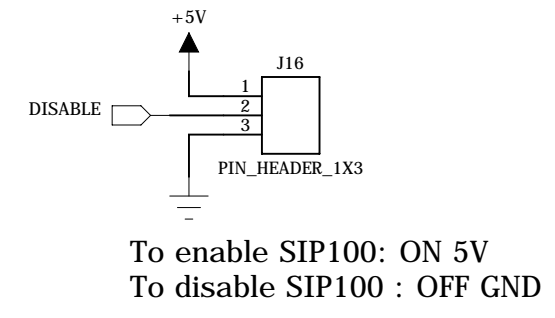
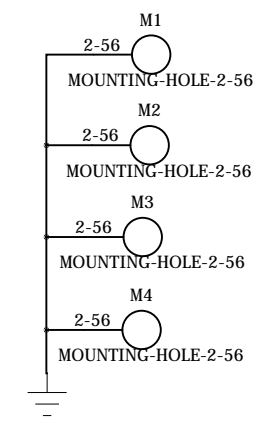
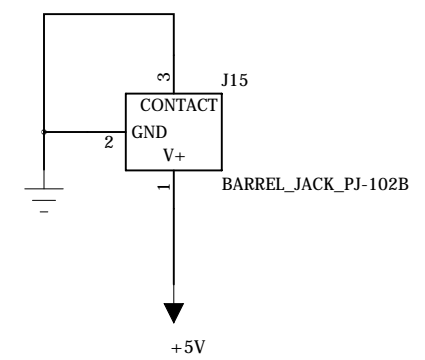
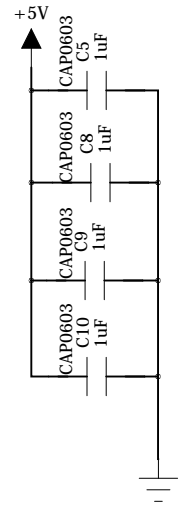
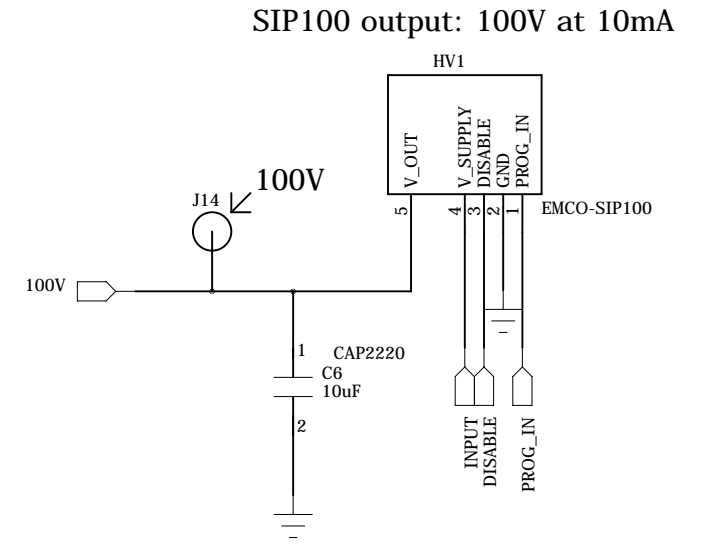
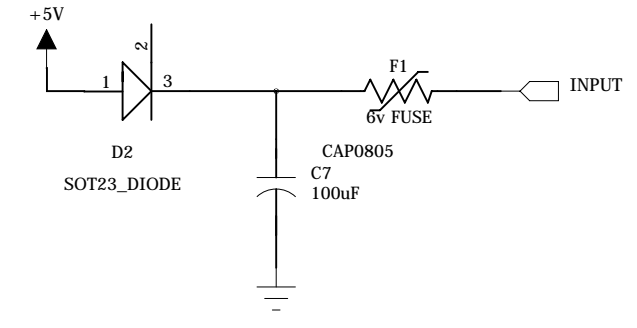
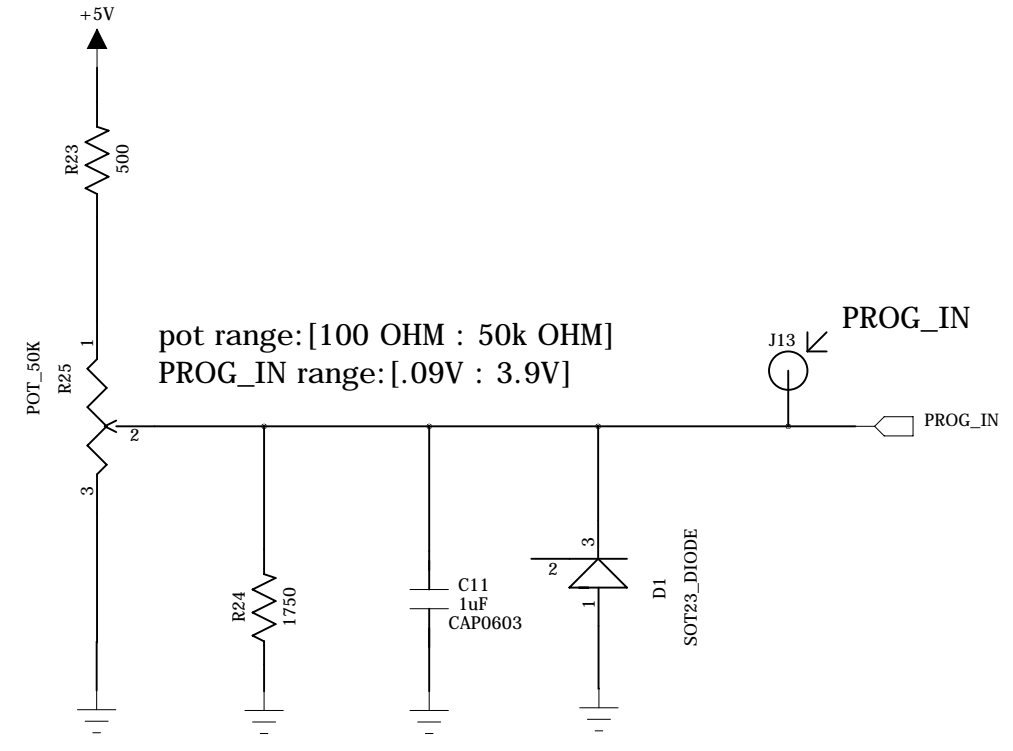
C

B

B

A

A



institution:	University of hawaii at Manoa High Energy Physics Lab Instrumentation Development Lab
title:	Read Out Board
revision:	A
IDLAB design #:	IDL_015_018
circuit design:	GV,KPL,JB,LV
PCB design:	GV,KPL,JB,LV
sheet #:	3
sheet description:	Power
date last modified:	5/29/2015