

institution: University of Hawai'i at Manoa
 High Energy Physics Group
 Instrument Development Lab
 title: LAB4_LPC_FMC
 revision: A
 IDLAB design #: IDL_12_014
 circuit design: CZ
 PCB design: CZ
 sheet #: 1 of 3
 sheet description: LAB4
 date last modified: 2012-03-06

6

5

4

3

2

1

E

E

D

D

C

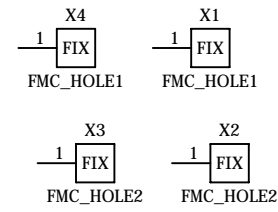
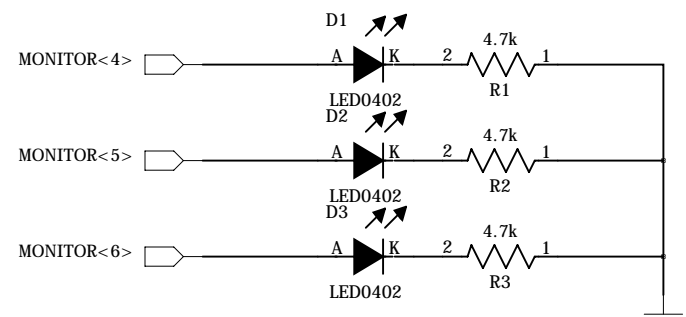
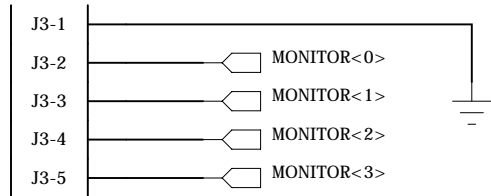
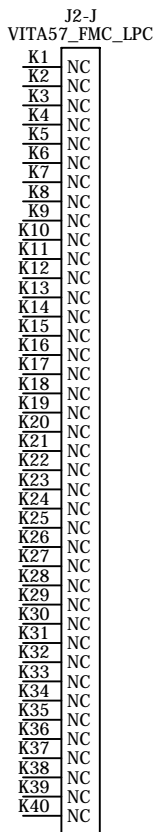
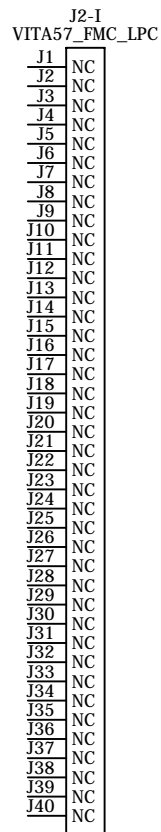
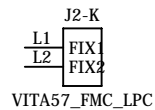
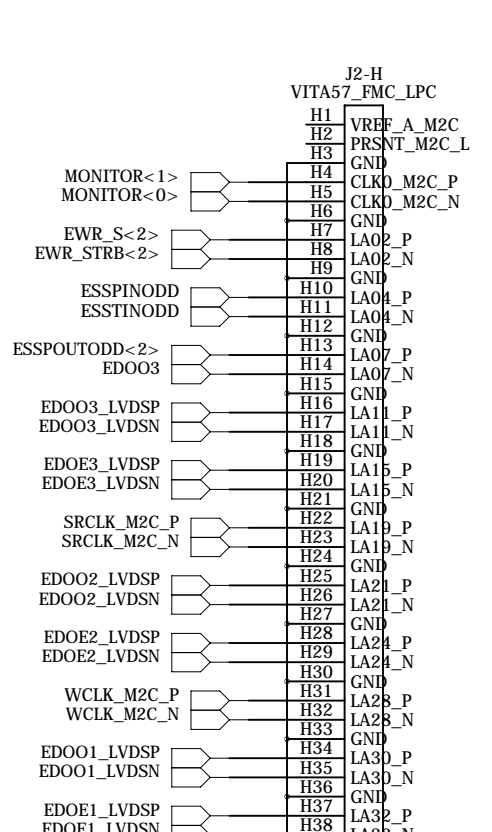
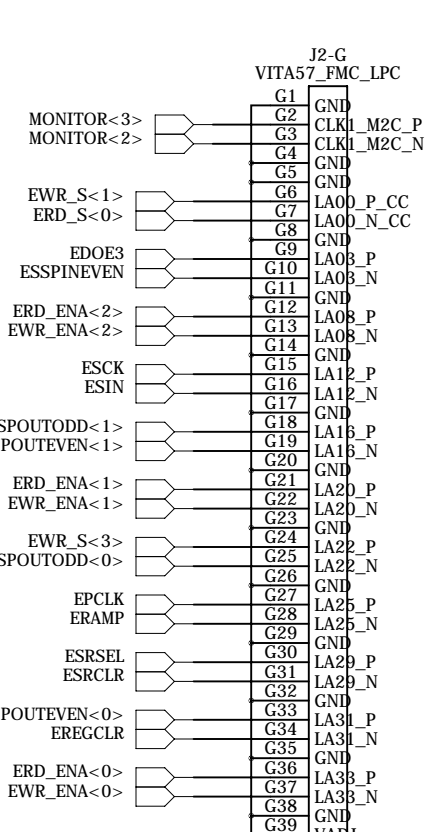
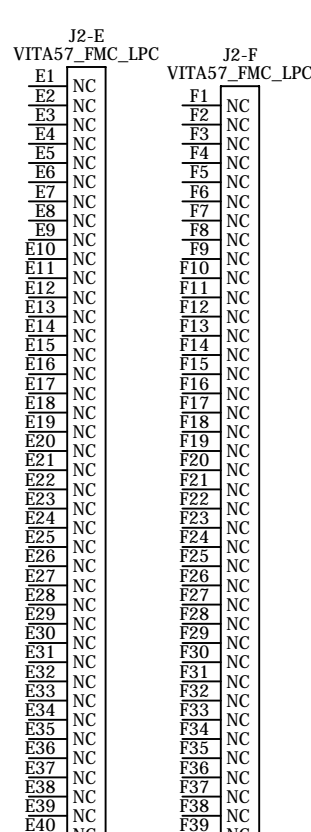
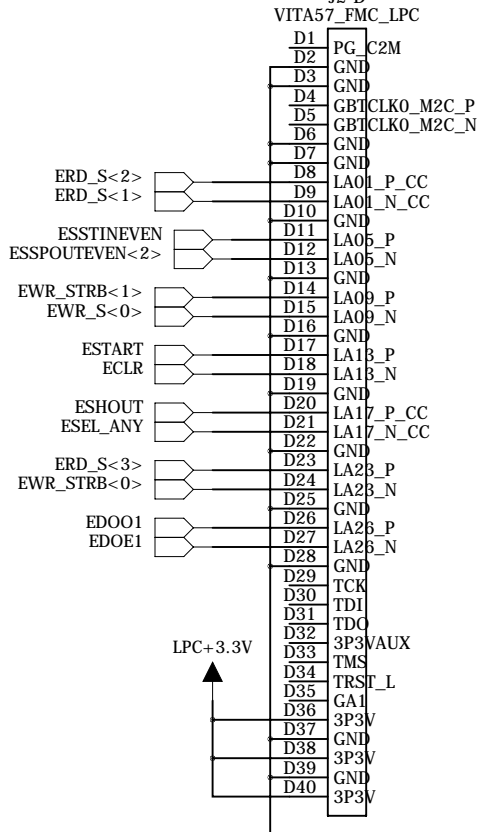
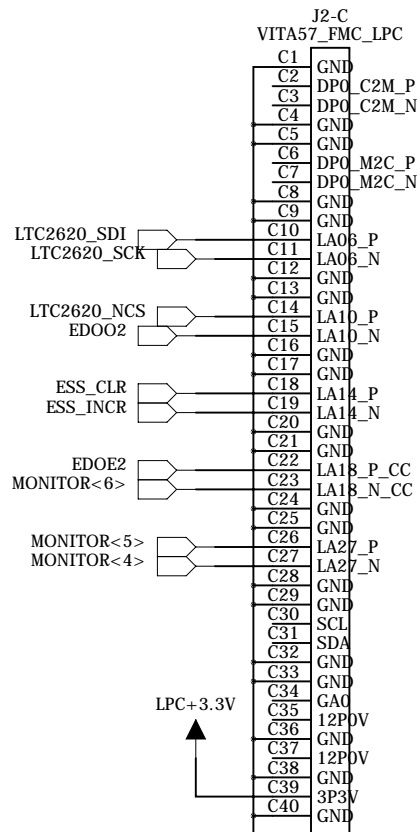
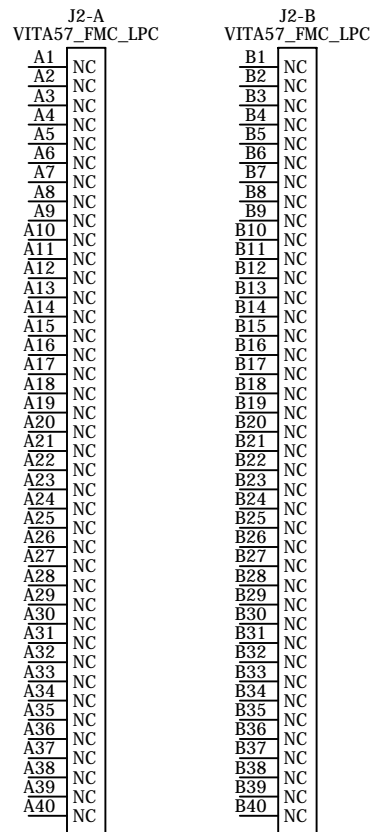
C

B

B

A

A



institution: University of Hawai'i at Manoa
High Energy Physics Group
Instrument Development Lab

title: LAB4_LPC_FMC

revision: A

IDLAB design #: IDL_12_014

circuit design: CZ

PCB design: CZ

sheet #: 2 of 3

sheet description: FMC

date last modified: 2012-03-06

E

D

C

B

A

E

D

C

B

A

6

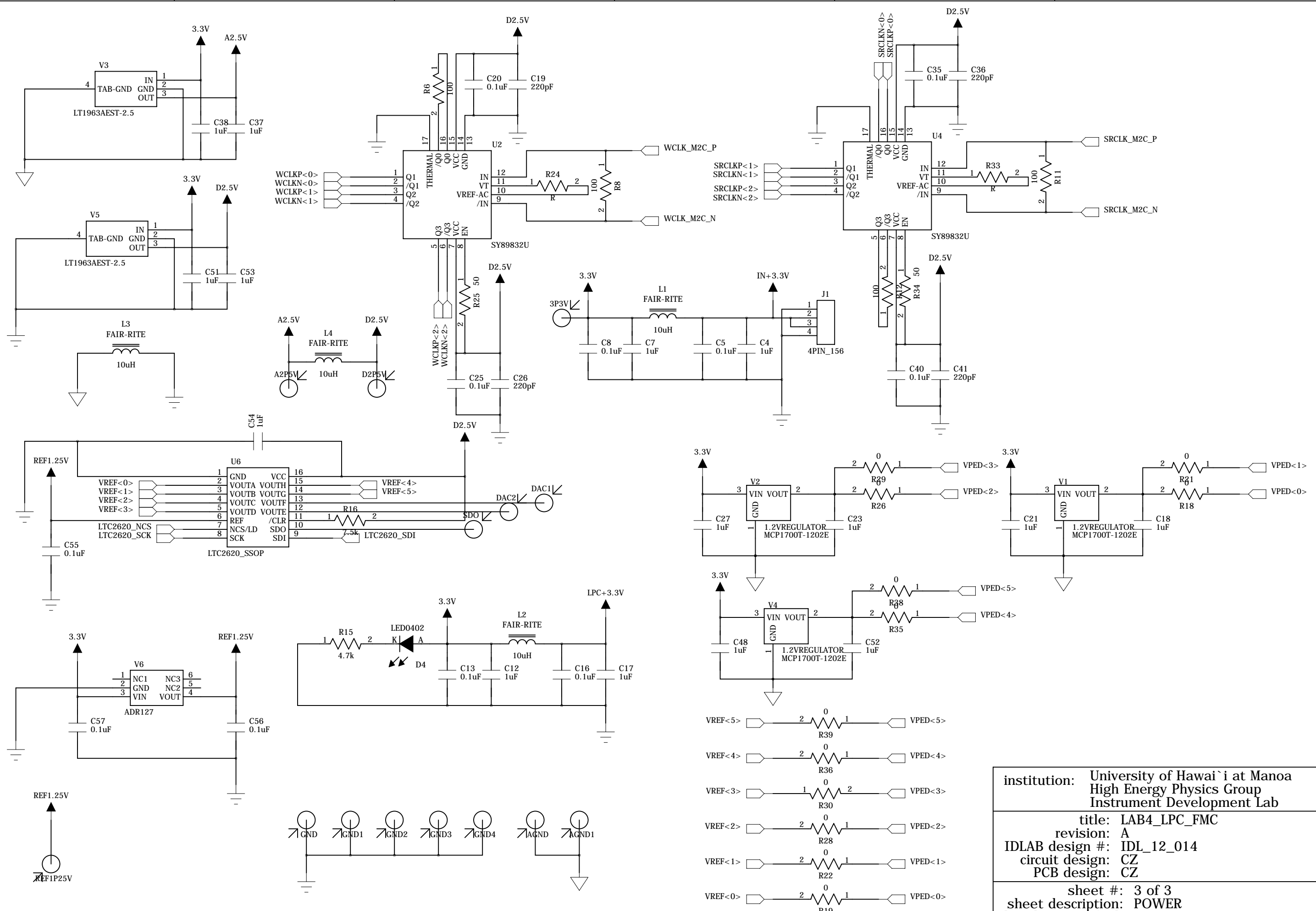
5

4

3

2

1



institution:	University of Hawai'i at Manoa High Energy Physics Group Instrument Development Lab
title:	LAB4_LPC_FMC
revision:	A
IDLAB design #:	IDL_12_014
circuit design:	CZ
PCB design:	CZ
sheet #:	3 of 3
sheet description:	POWER
date last modified:	2012-03-06