

6

5

4

3

2

1

E

E

D

D

C

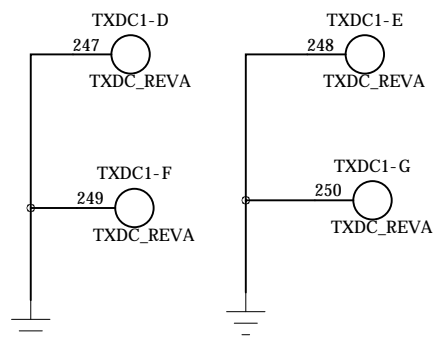
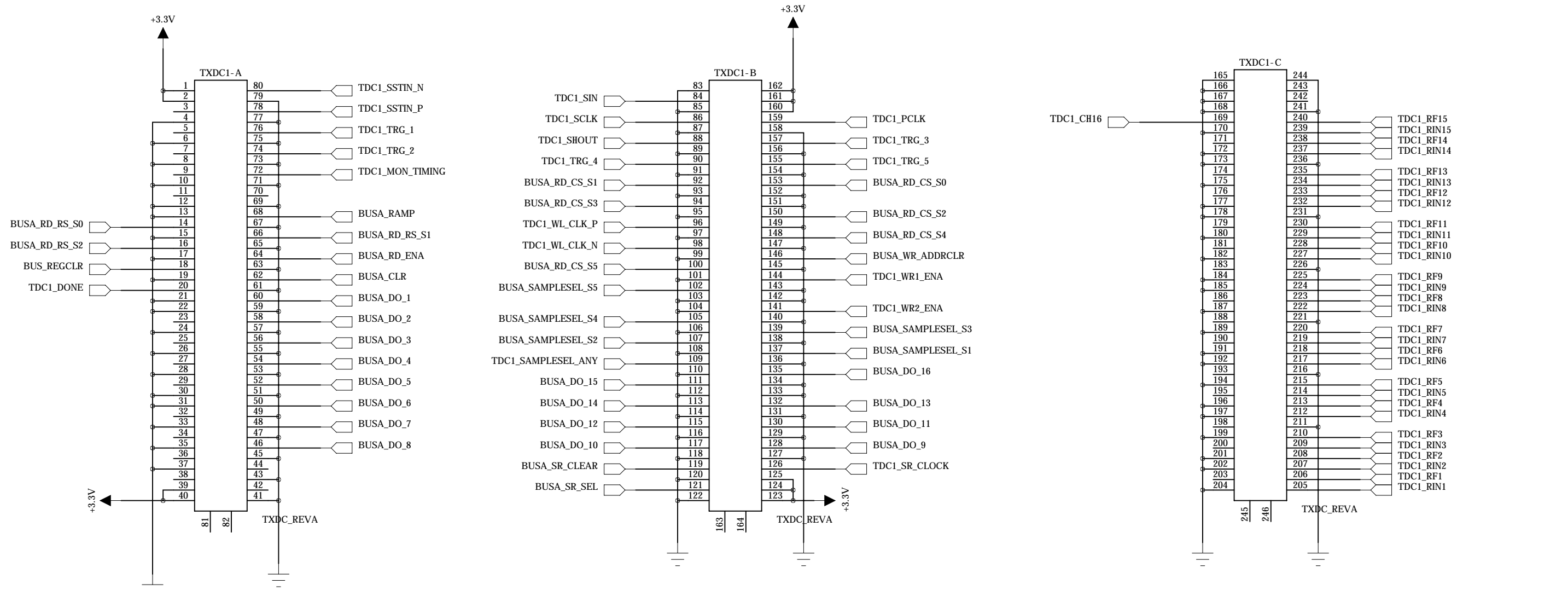
C

B

B

A

A



institution:	University of Hawaii at Manoa High Energy Physics Lab Instrumentation Development Lab
title:	KLM TX 9U Motherboard
revision:	C
IDLAB design #:	IDL 15_003
circuit design:	IDLAB
PCB design:	IDLAB
sheet #:	
sheet description:	
date last modified:	2015-04-12

E

E

D

D

C

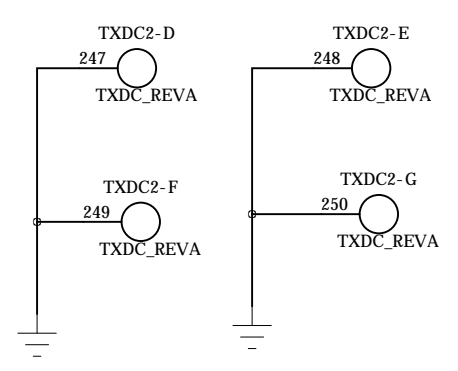
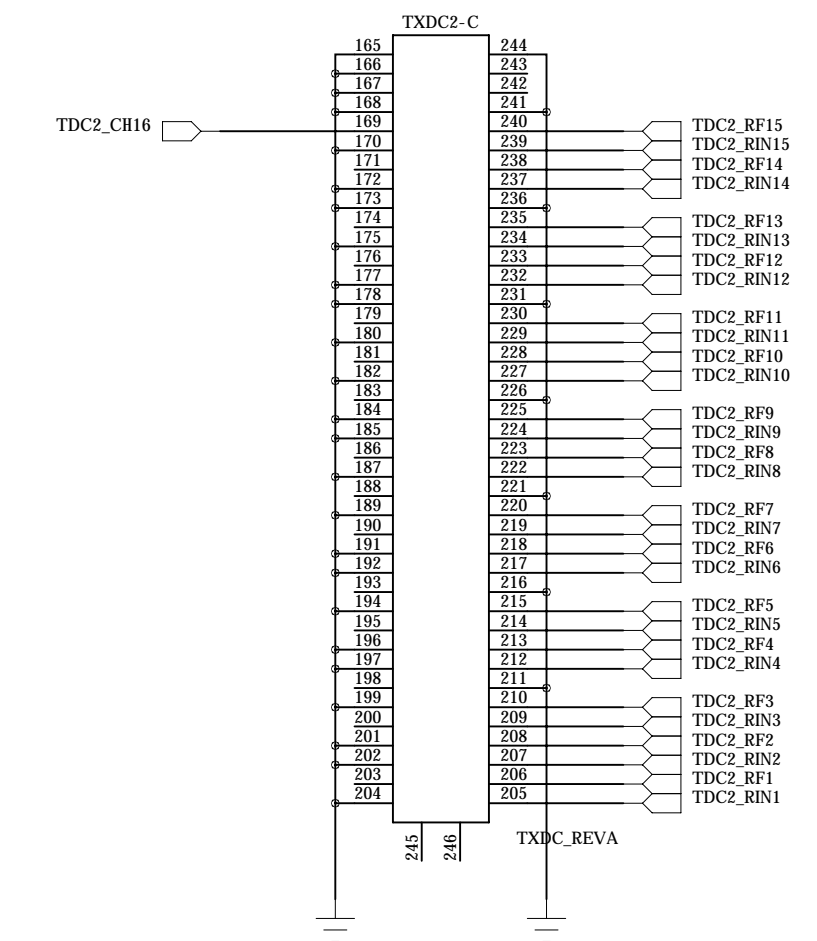
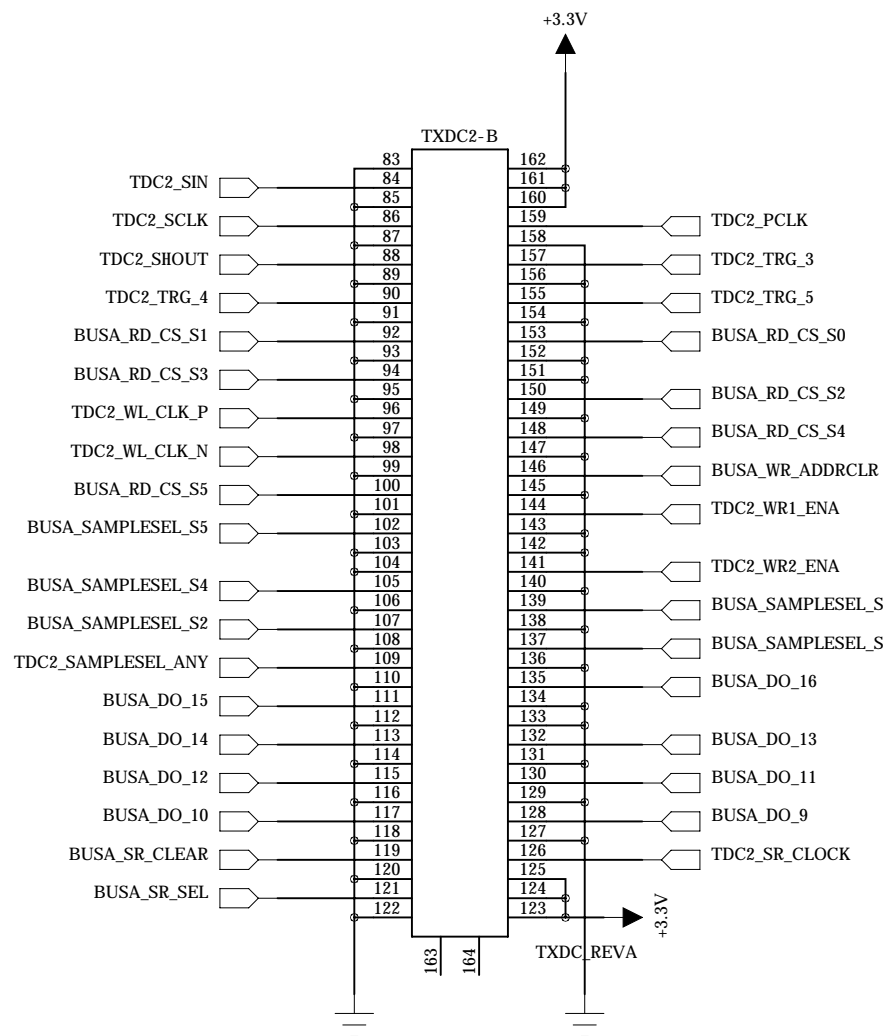
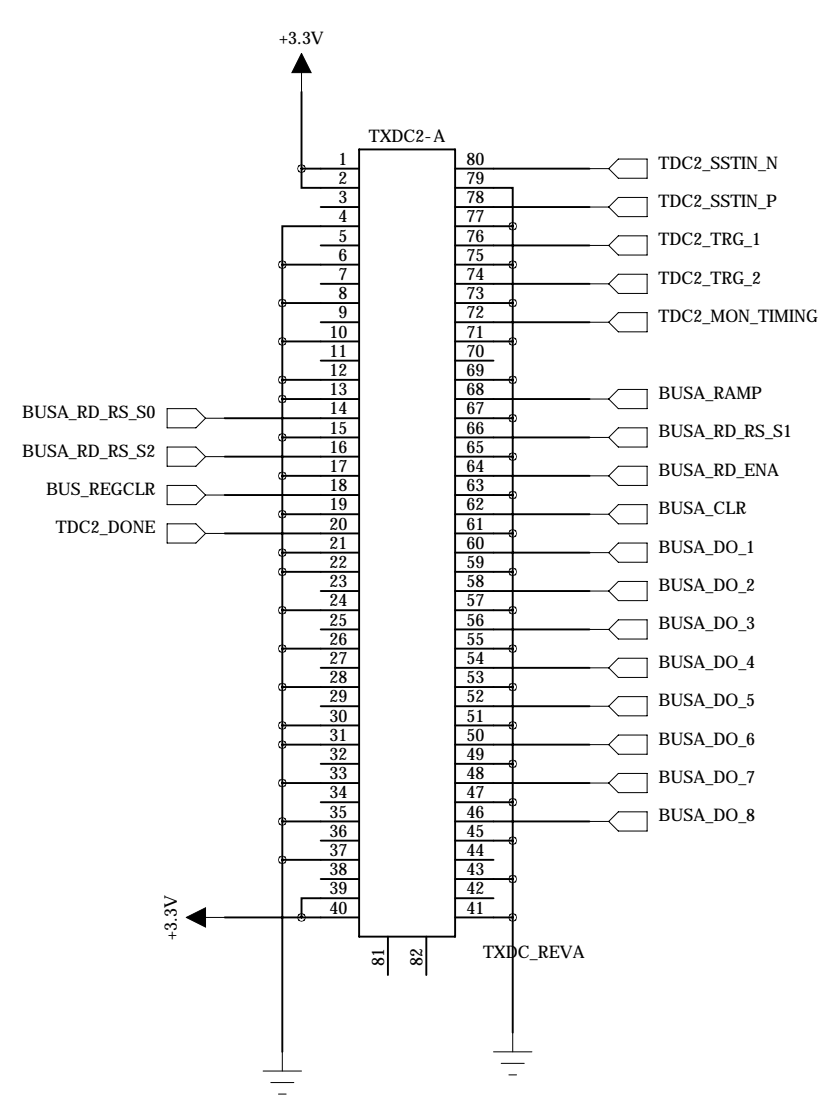
C

B

B

A

A



institution:	University of Hawaii at Manoa High Energy Physics Lab Instrumentation Development Lab
title:	KLM TX 9U Motherboard
revision:	C
IDLAB design #:	IDL 15_003
circuit design:	IDLAB
PCB design:	IDLAB
sheet #:	
sheet description:	
date last modified:	2015-04-12

E

E

D

D

C

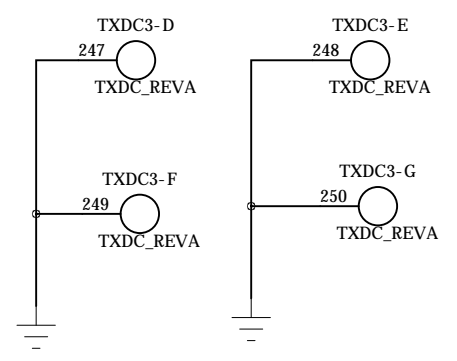
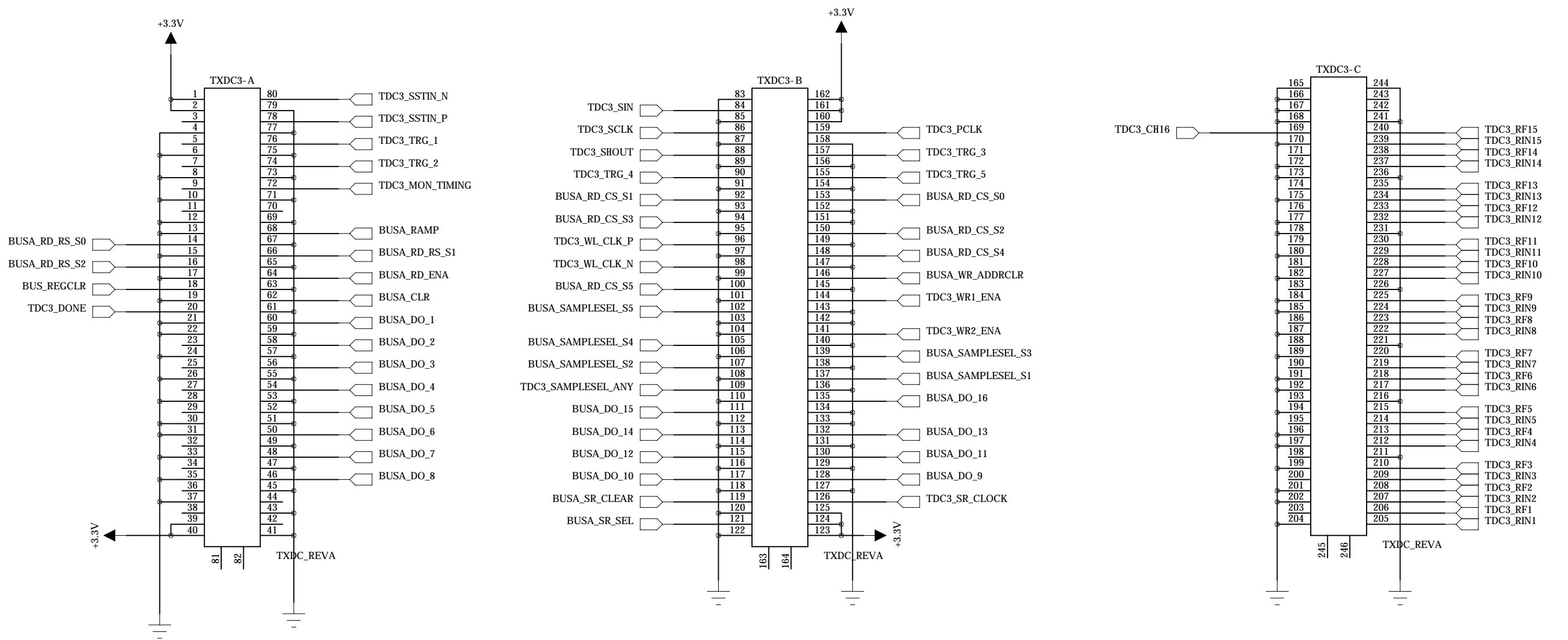
C

B

B

A

A



institution:	University of Hawaii at Manoa High Energy Physics Lab Instrumentation Development Lab
title:	KLM TX 9U Motherboard
revision:	C
IDLAB design #:	IDL 15_003
circuit design:	IDLAB
PCB design:	IDLAB
sheet #:	
sheet description:	
date last modified:	2015-04-12

6

5

4

3

2

1

E

E

D

D

C

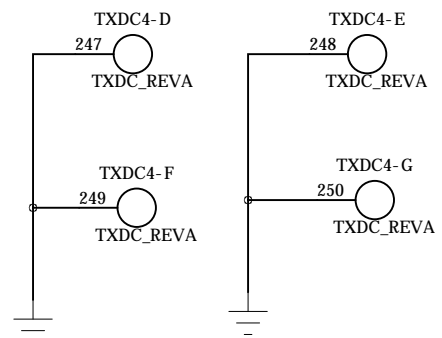
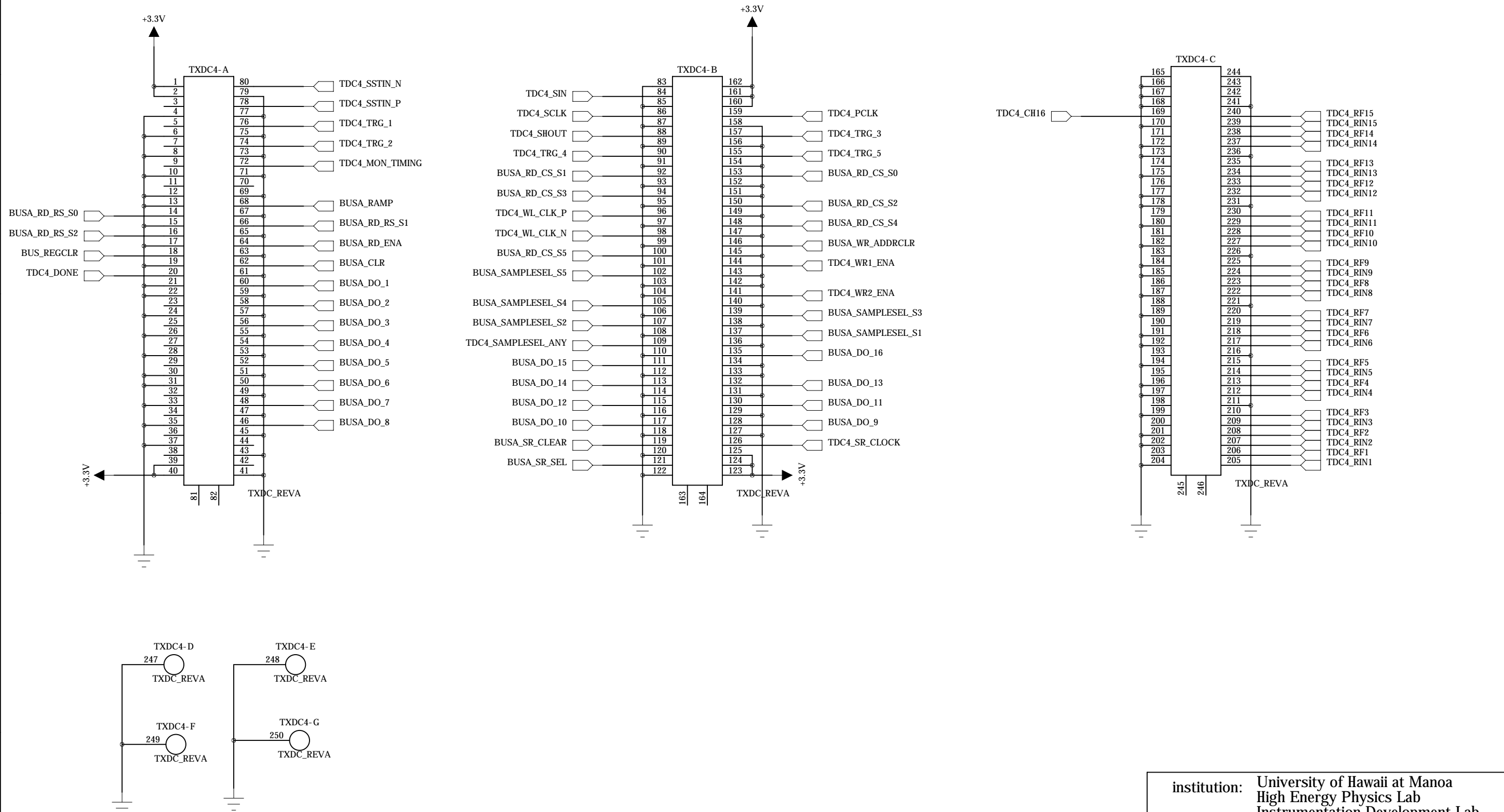
C

B

B

A

A



institution:	University of Hawaii at Manoa High Energy Physics Lab Instrumentation Development Lab
title:	KLM TX 9U Motherboard
revision:	C
IDLAB design #:	IDL 15_003
circuit design:	IDLAB
PCB design:	IDLAB
sheet #:	
sheet description:	
date last modified:	2015-04-12

E

E

D

D

C

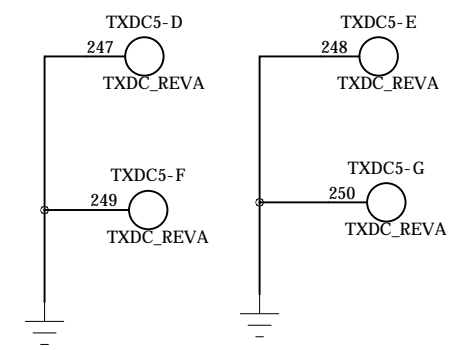
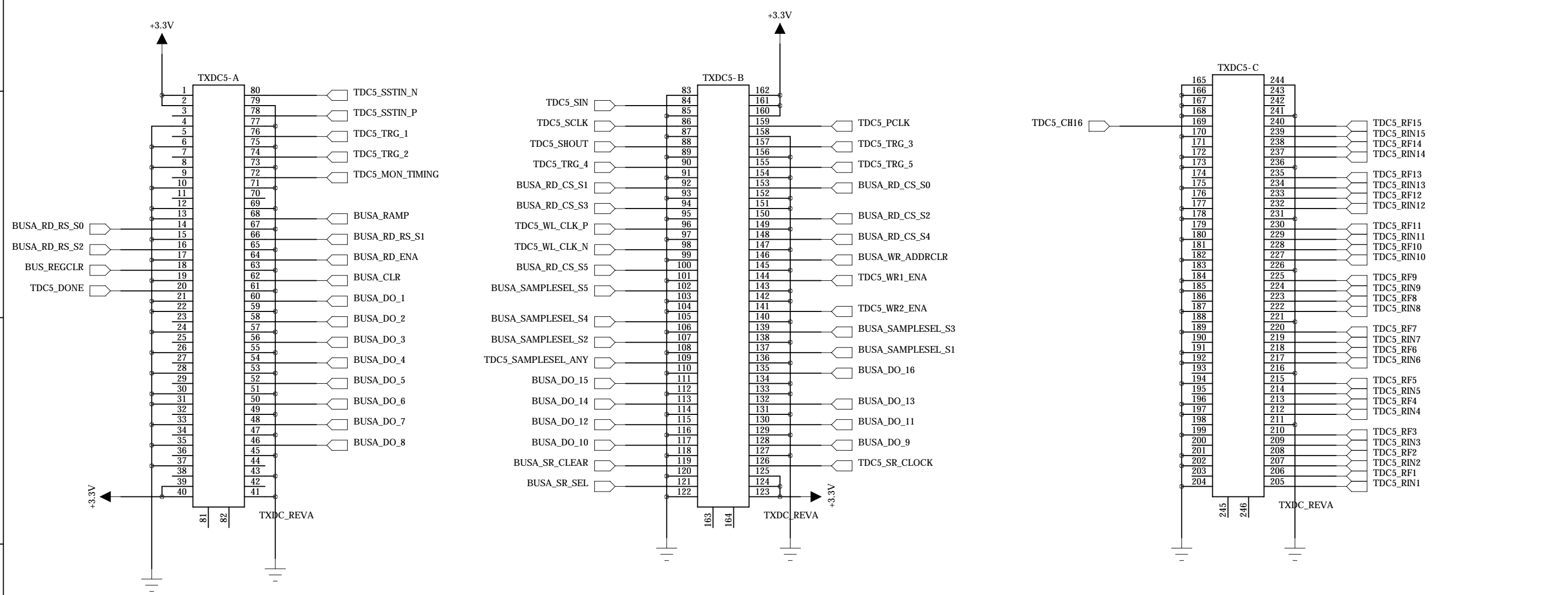
C

B

B

A

A



institution:	University of Hawaii at Manoa High Energy Physics Lab Instrumentation Development Lab
title:	KLM TX 9U Motherboard
revision:	C
IDLAB design #:	IDL 15_003
circuit design:	IDLAB
PCB design:	IDLAB
sheet #:	
sheet description:	
date last modified:	2015-04-12

6

5

4

3

2

1

E

E

D

D

C

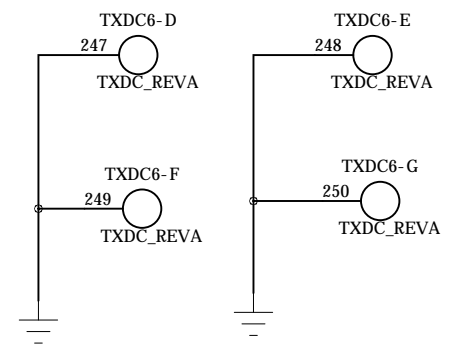
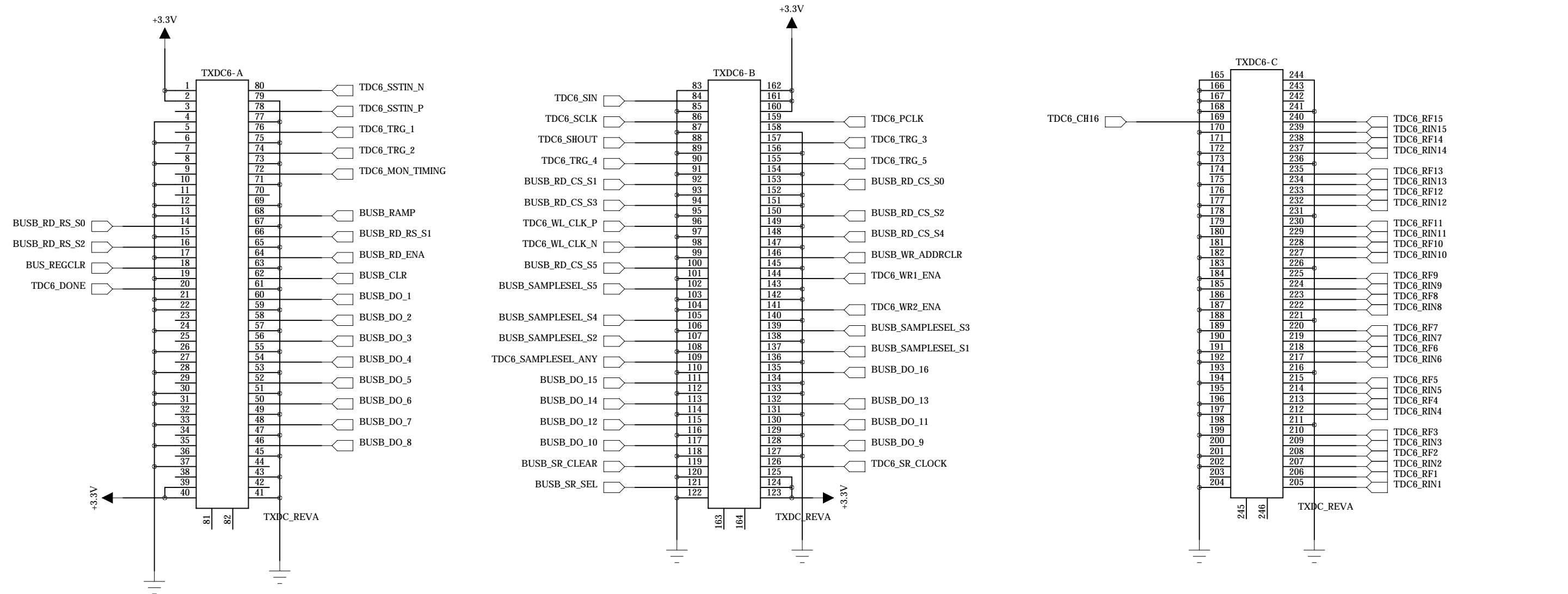
C

B

B

A

A



institution:	University of Hawaii at Manoa High Energy Physics Lab Instrumentation Development Lab
title:	KLM TX 9U Motherboard
revision:	C
IDLAB design #:	IDL 15_003
circuit design:	IDLAB
PCB design:	IDLAB
sheet #:	
sheet description:	
date last modified:	2015-04-12

6

5

4

3

2

1

E

E

D

D

C

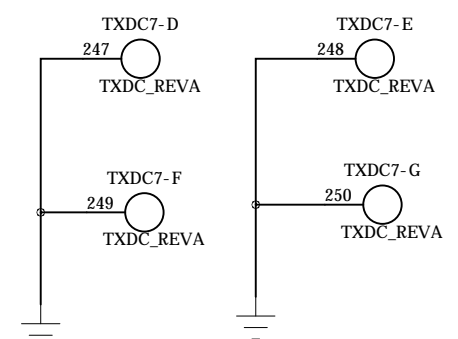
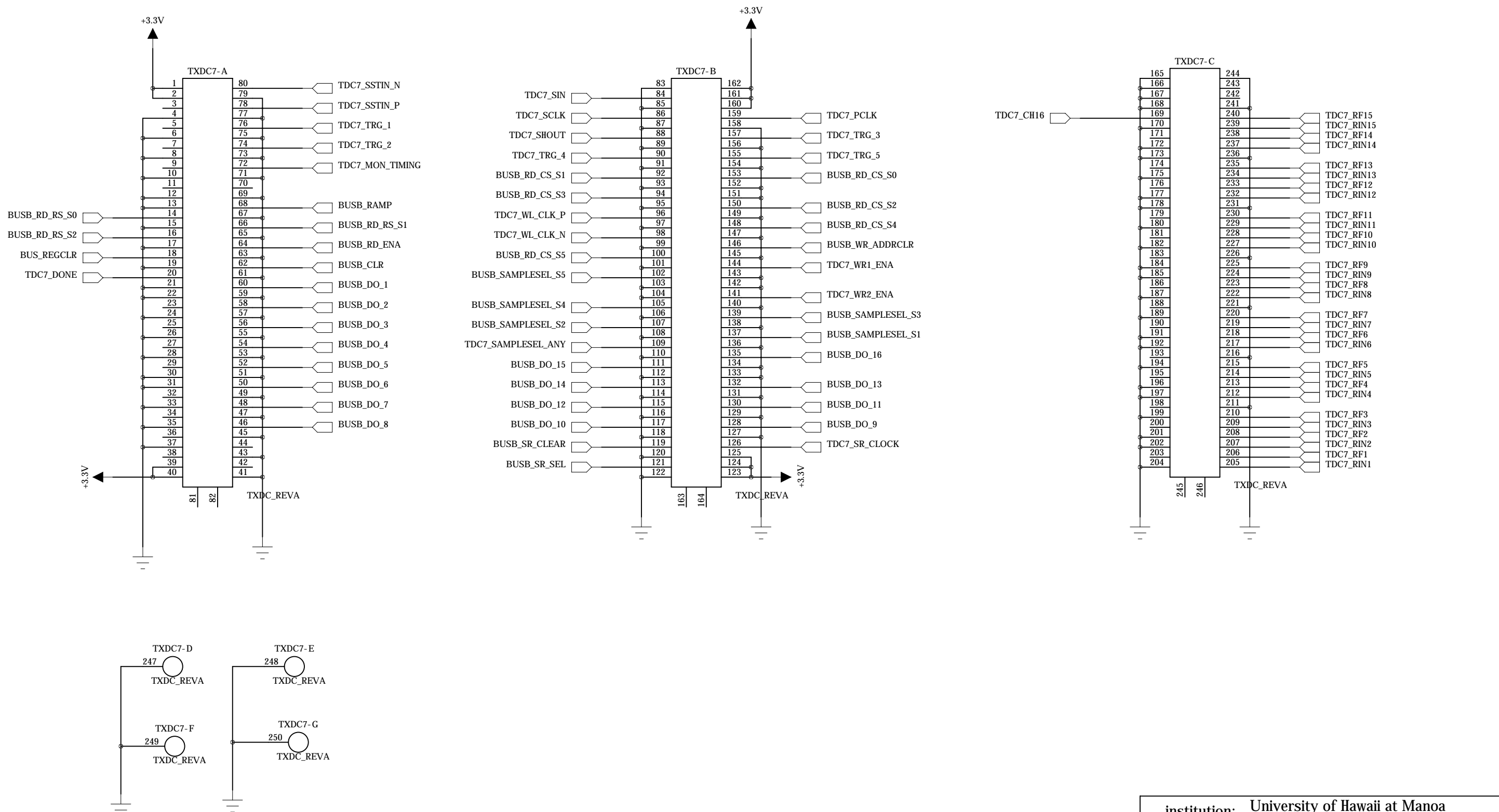
C

B

B

A

A



institution:	University of Hawaii at Manoa High Energy Physics Lab Instrumentation Development Lab
title:	KLM TX 9U Motherboard
revision:	C
IDLAB design #:	IDL 15_003
circuit design:	IDLAB
PCB design:	IDLAB
sheet #:	
sheet description:	
date last modified:	2015-04-12

6

5

4

3

2

1

E

E

D

D

C

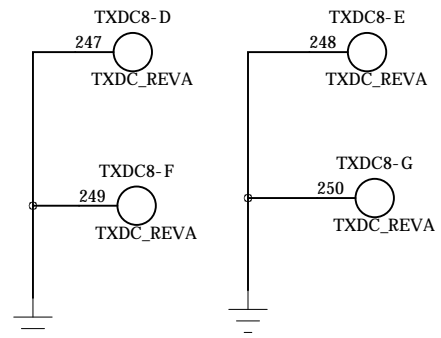
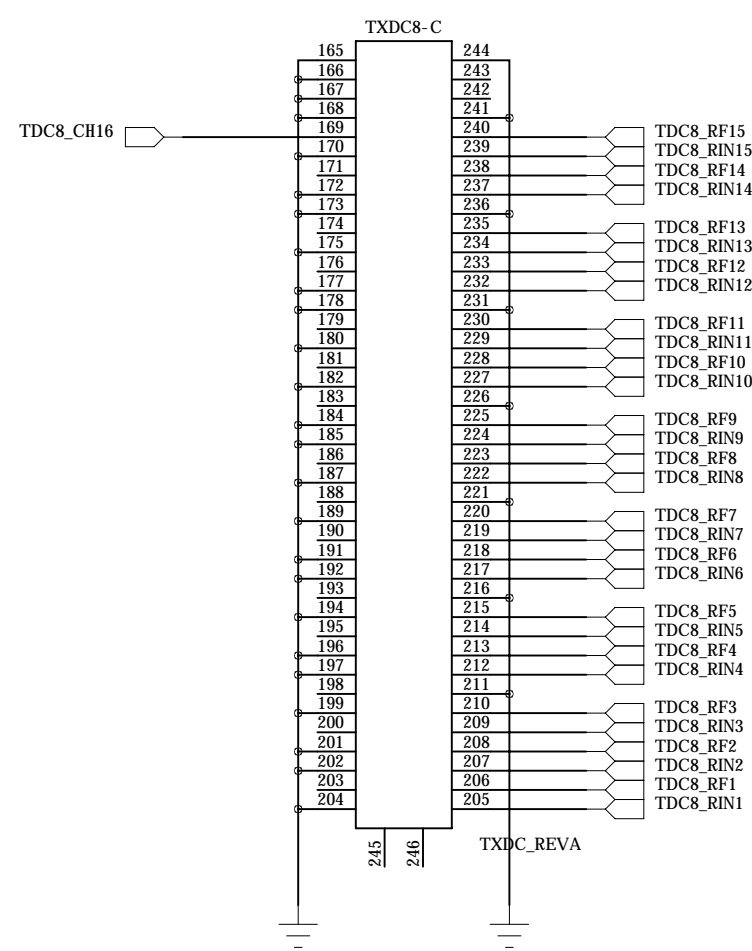
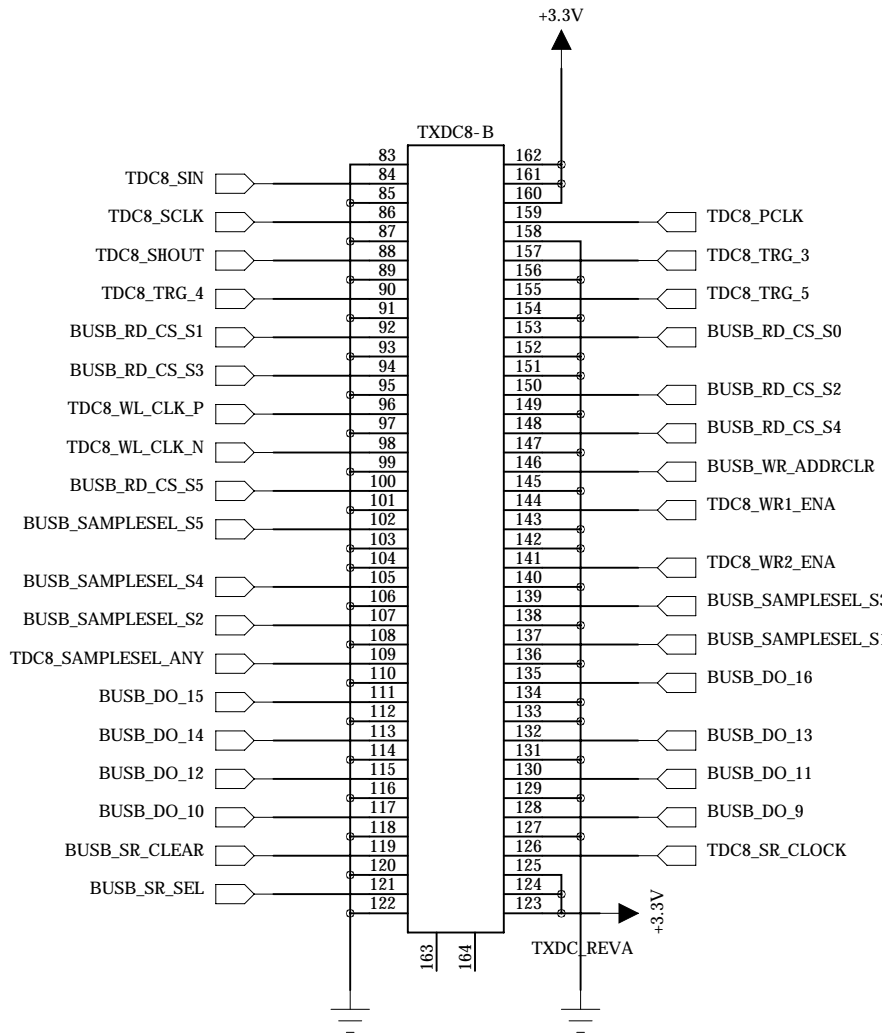
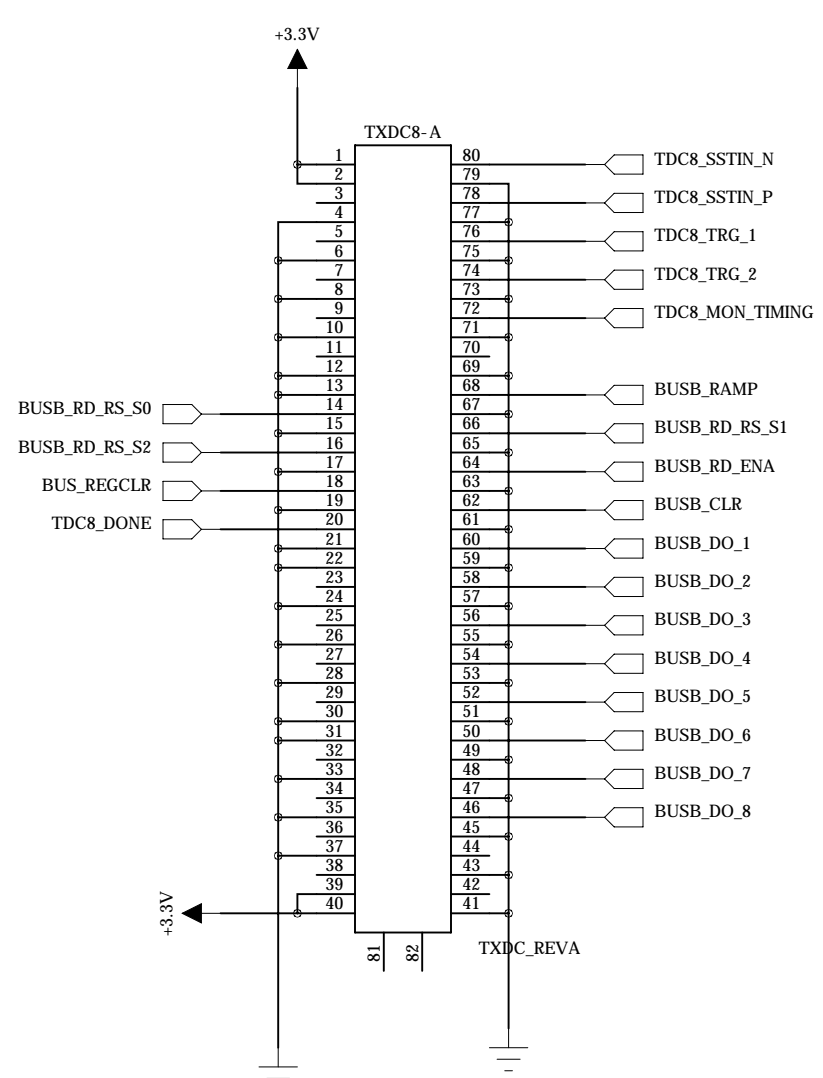
C

B

B

A

A



institution:	University of Hawaii at Manoa High Energy Physics Lab Instrumentation Development Lab
title:	KLM TX 9U Motherboard
revision:	C
IDLAB design #:	IDL_15_003
circuit design:	IDLAB
PCB design:	IDLAB
sheet #:	
sheet description:	
date last modified:	2015-04-12

6

5

4

3

2

1

E

E

D

D

C

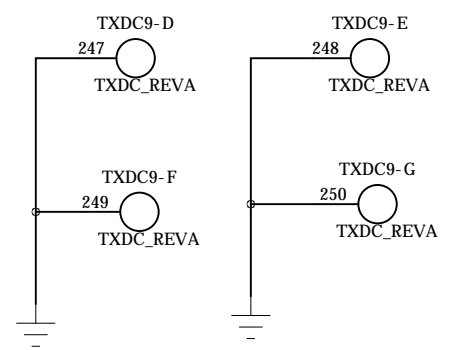
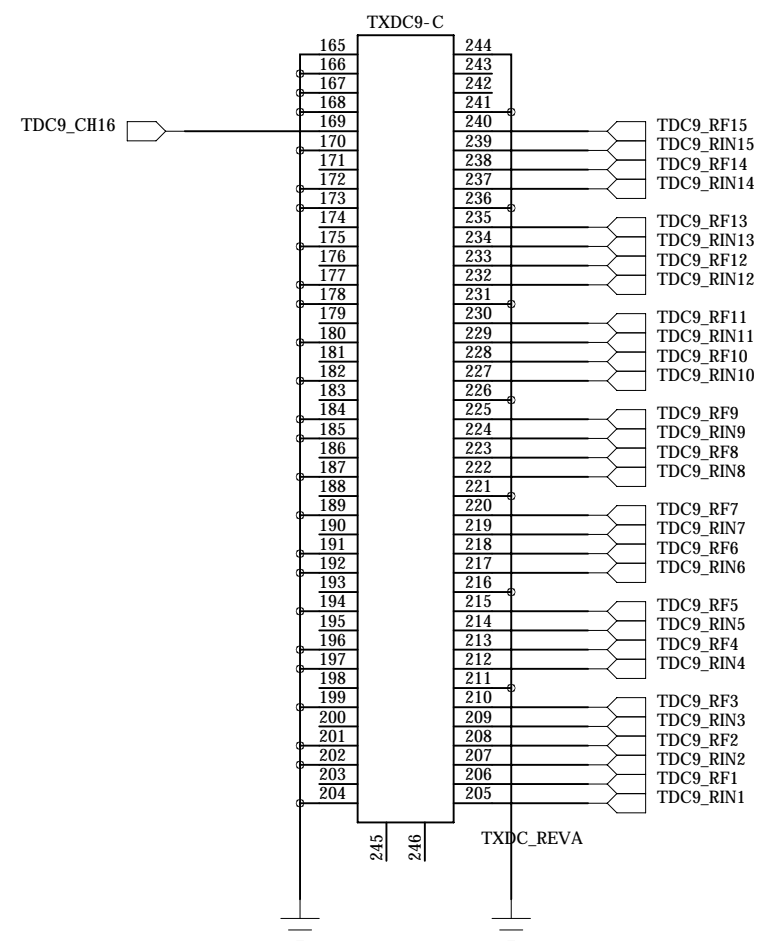
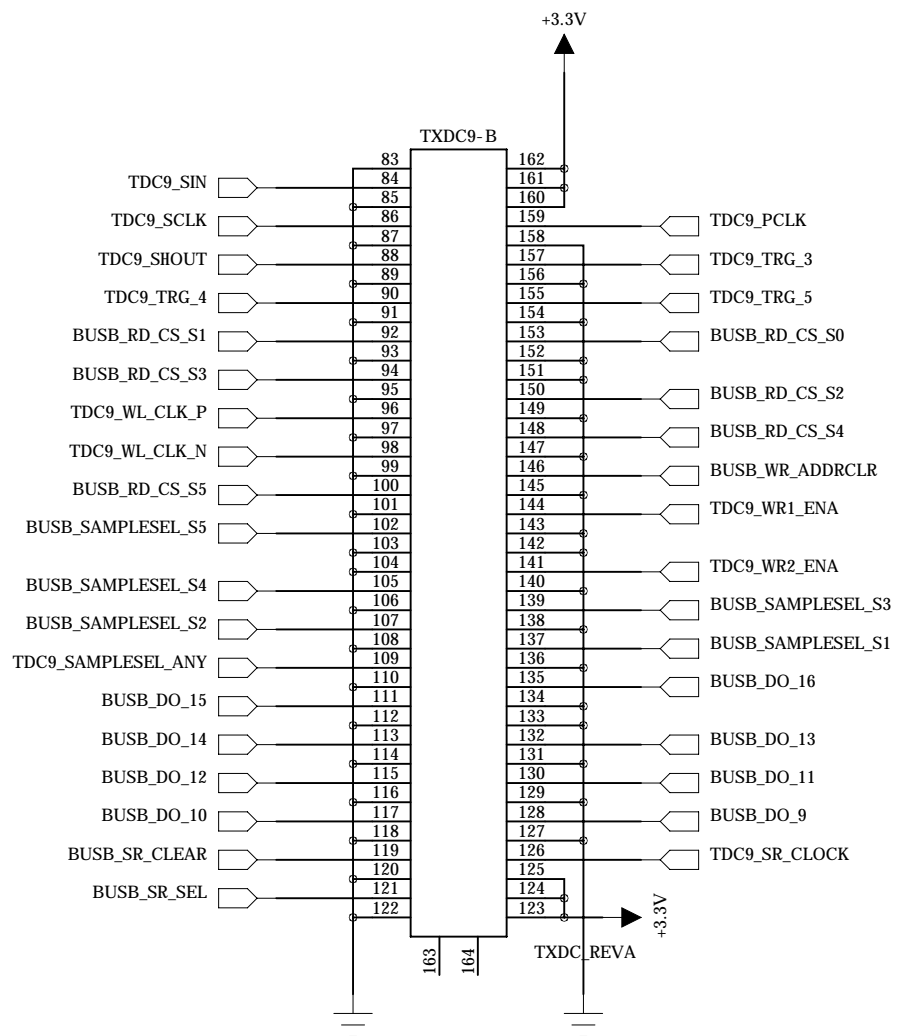
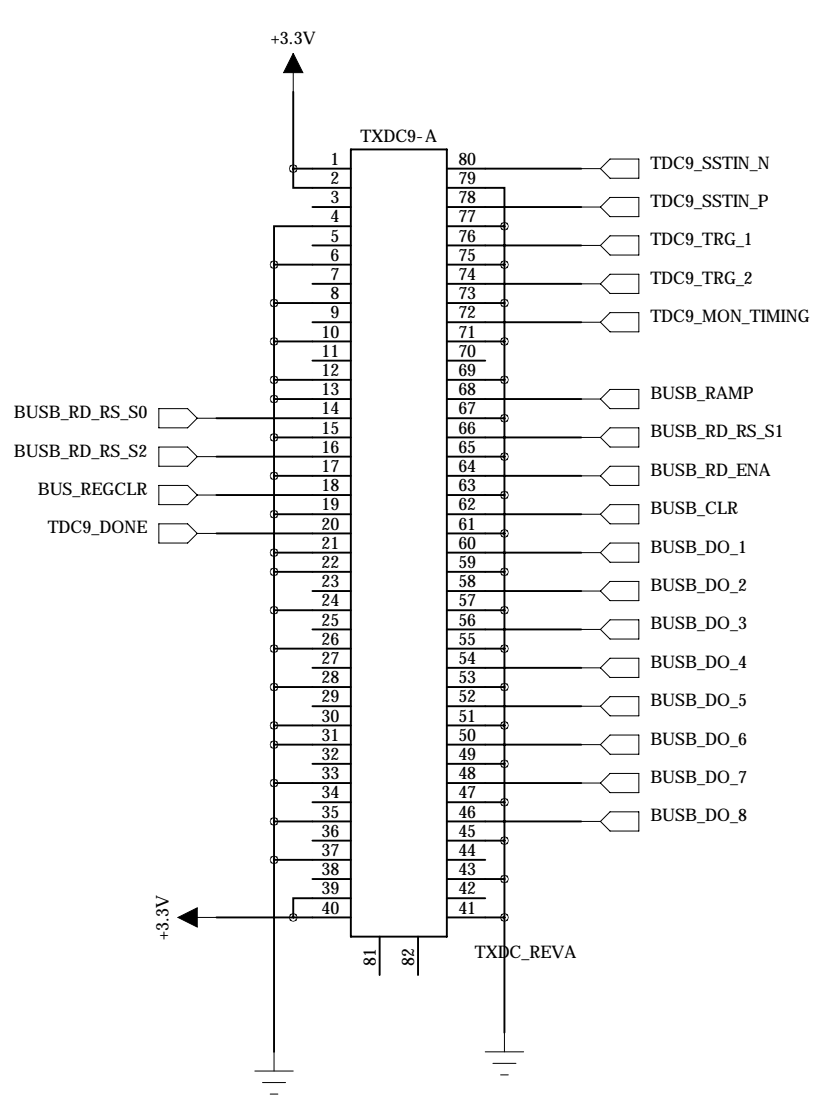
C

B

B

A

A



institution:	University of Hawaii at Manoa High Energy Physics Lab Instrumentation Development Lab
title:	KLM TX 9U Motherboard
revision:	C
IDLAB design #:	IDL_15_003
circuit design:	IDLAB
PCB design:	IDLAB
sheet #:	
sheet description:	
date last modified:	2015-04-12

6

5

4

3

2

1

E

E

D

D

C

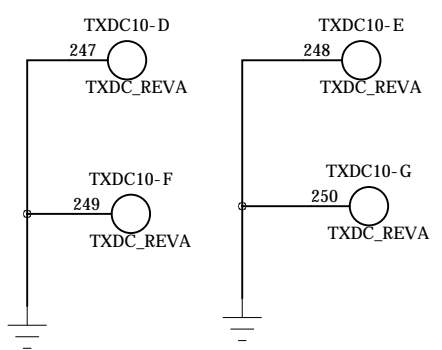
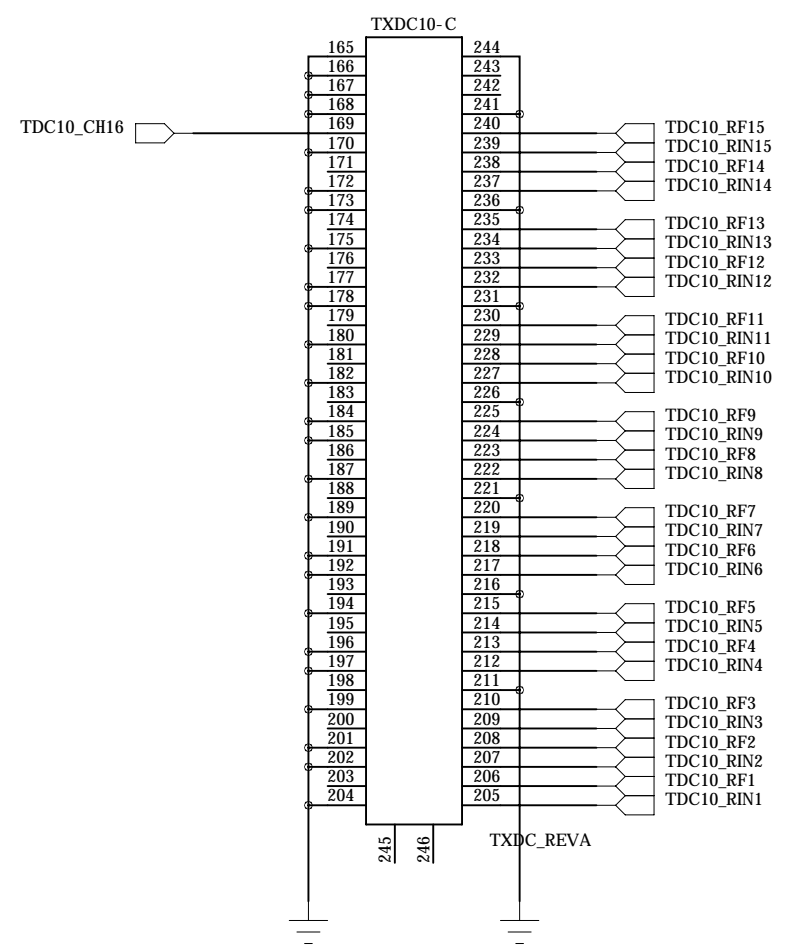
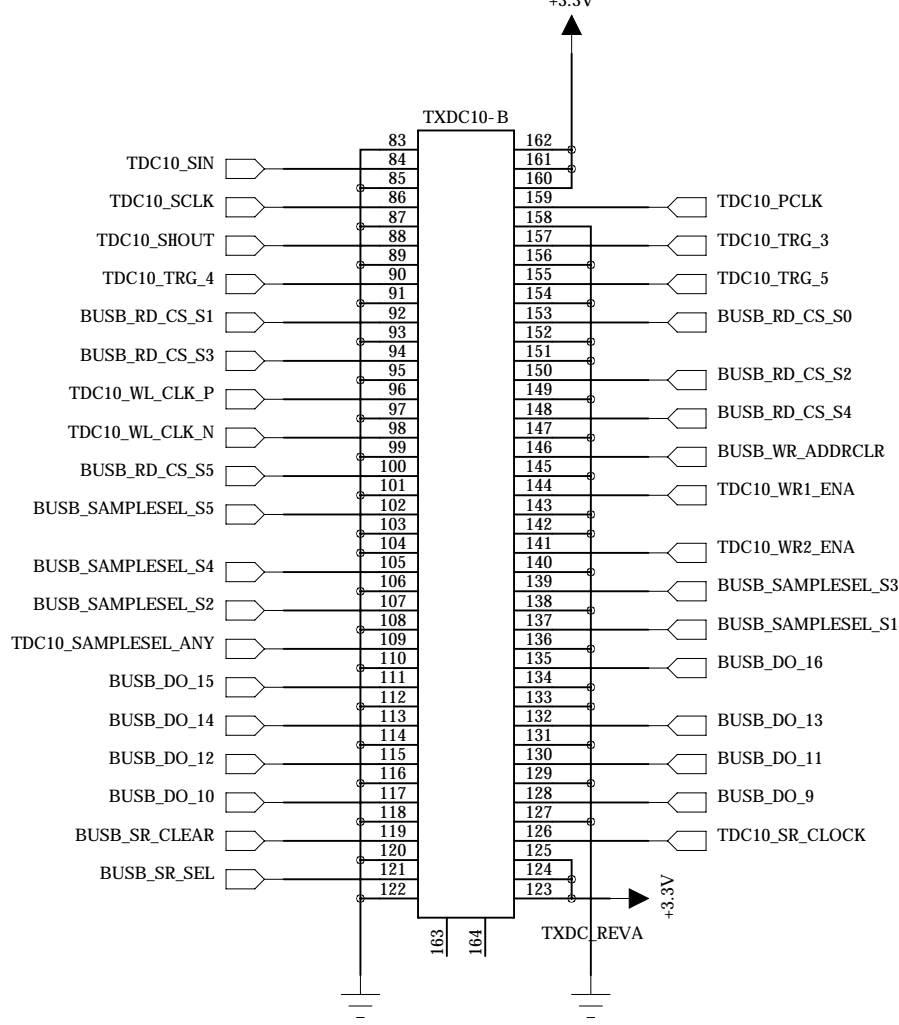
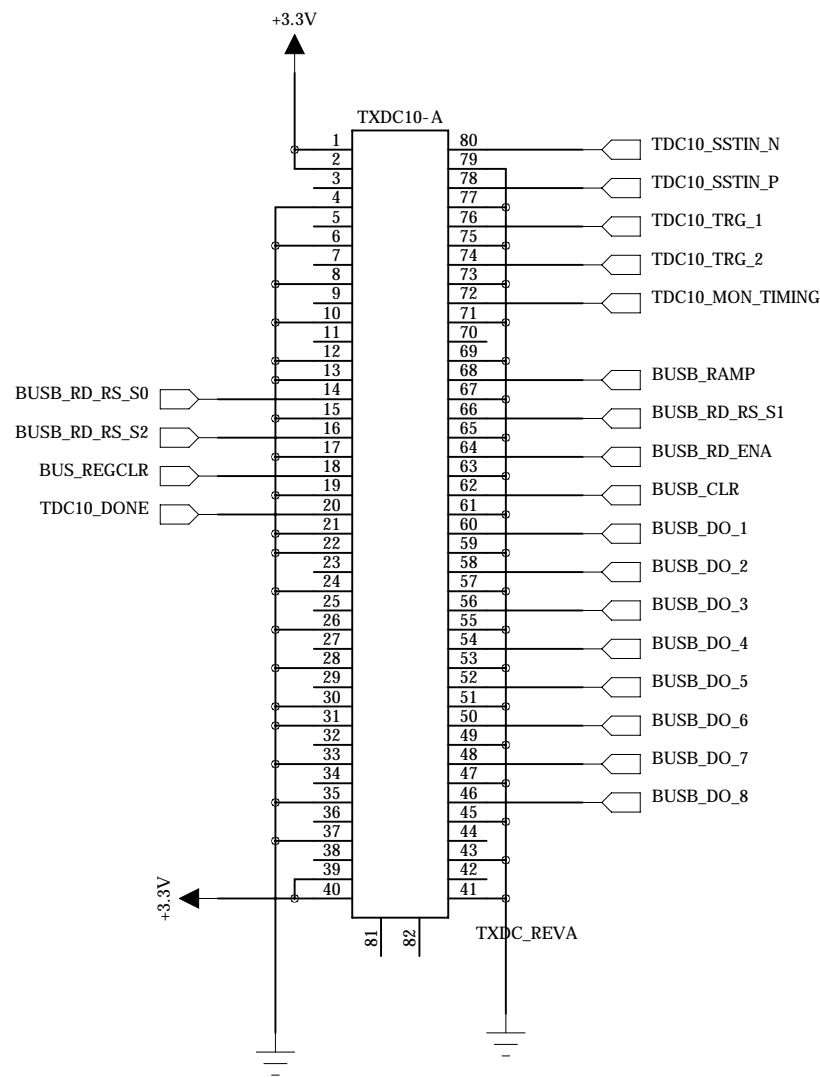
C

B

B

A

A



institution:	University of Hawaii at Manoa High Energy Physics Lab Instrumentation Development Lab
title:	KLM TX 9U Motherboard
revision:	C
IDLAB design #:	IDL 15_003
circuit design:	IDLAB
PCB design:	IDLAB
sheet #:	
sheet description:	
date last modified:	2015-04-12

6

5

4

3

2

1

E

E

D

D

C

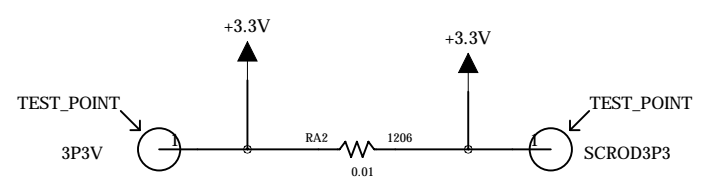
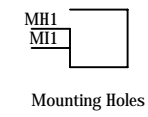
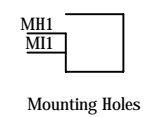
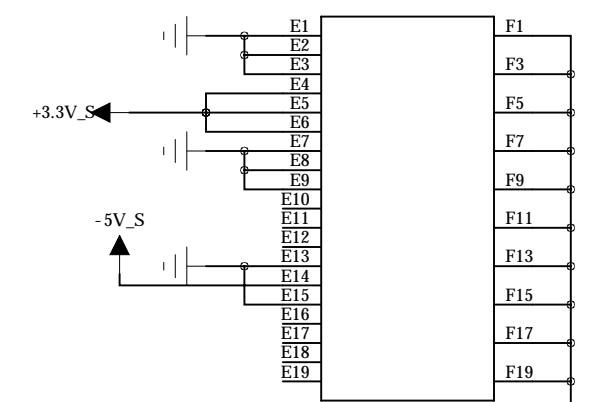
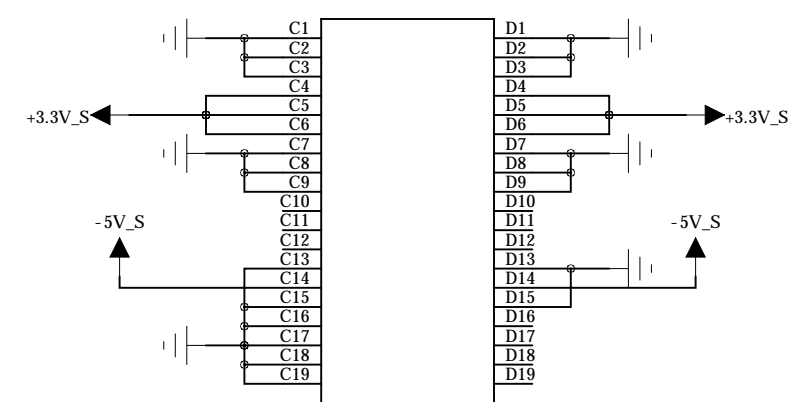
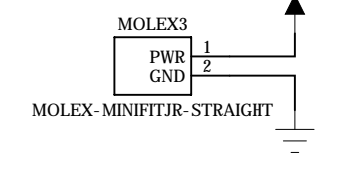
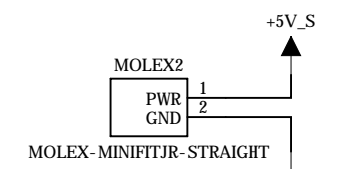
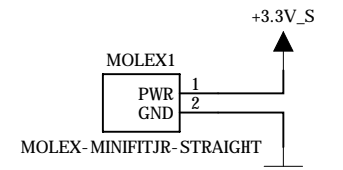
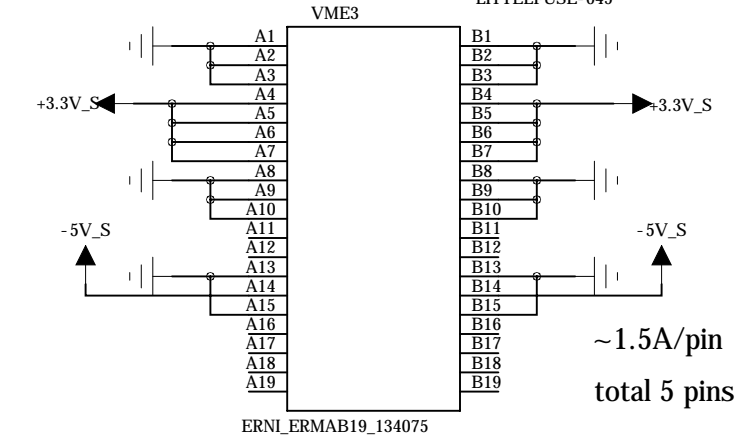
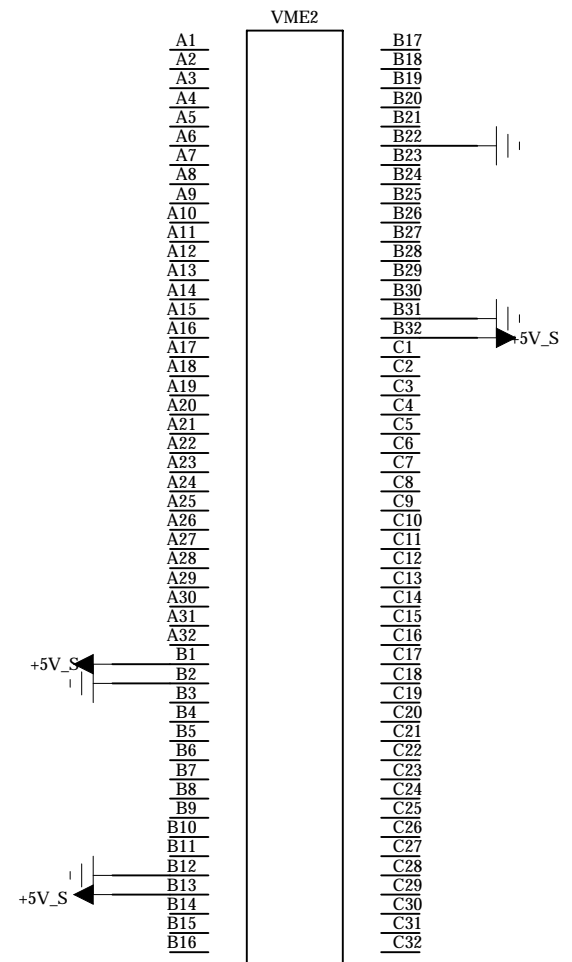
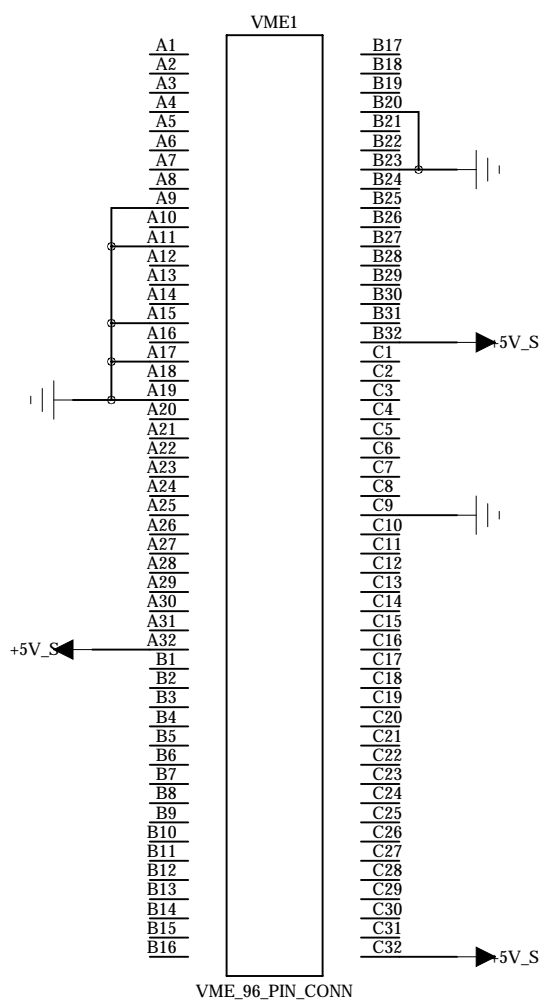
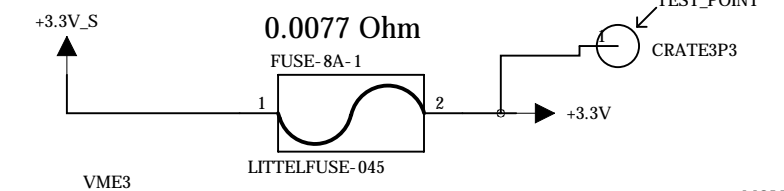
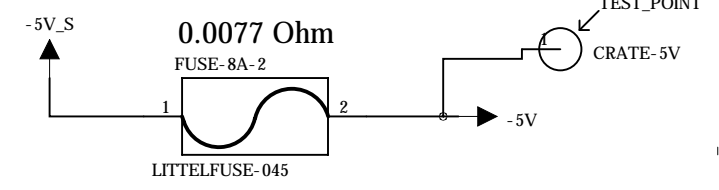
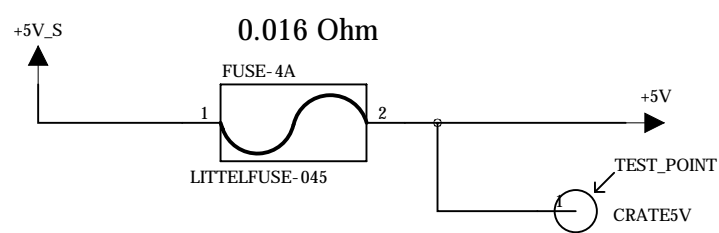
C

B

B

A

A



institution:	University of Hawaii at Manoa High Energy Physics Lab Instrumentation Development Lab
title:	KLM TX 9U Motherboard
revision:	C
IDLAB design #:	IDL_15_003
circuit design:	IDLAB
PCB design:	IDLAB
sheet #:	
sheet description:	
date last modified:	2015-04-12

E

E

D

D

C

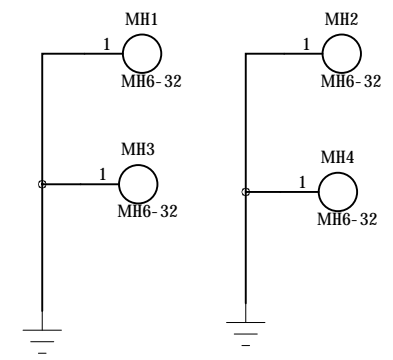
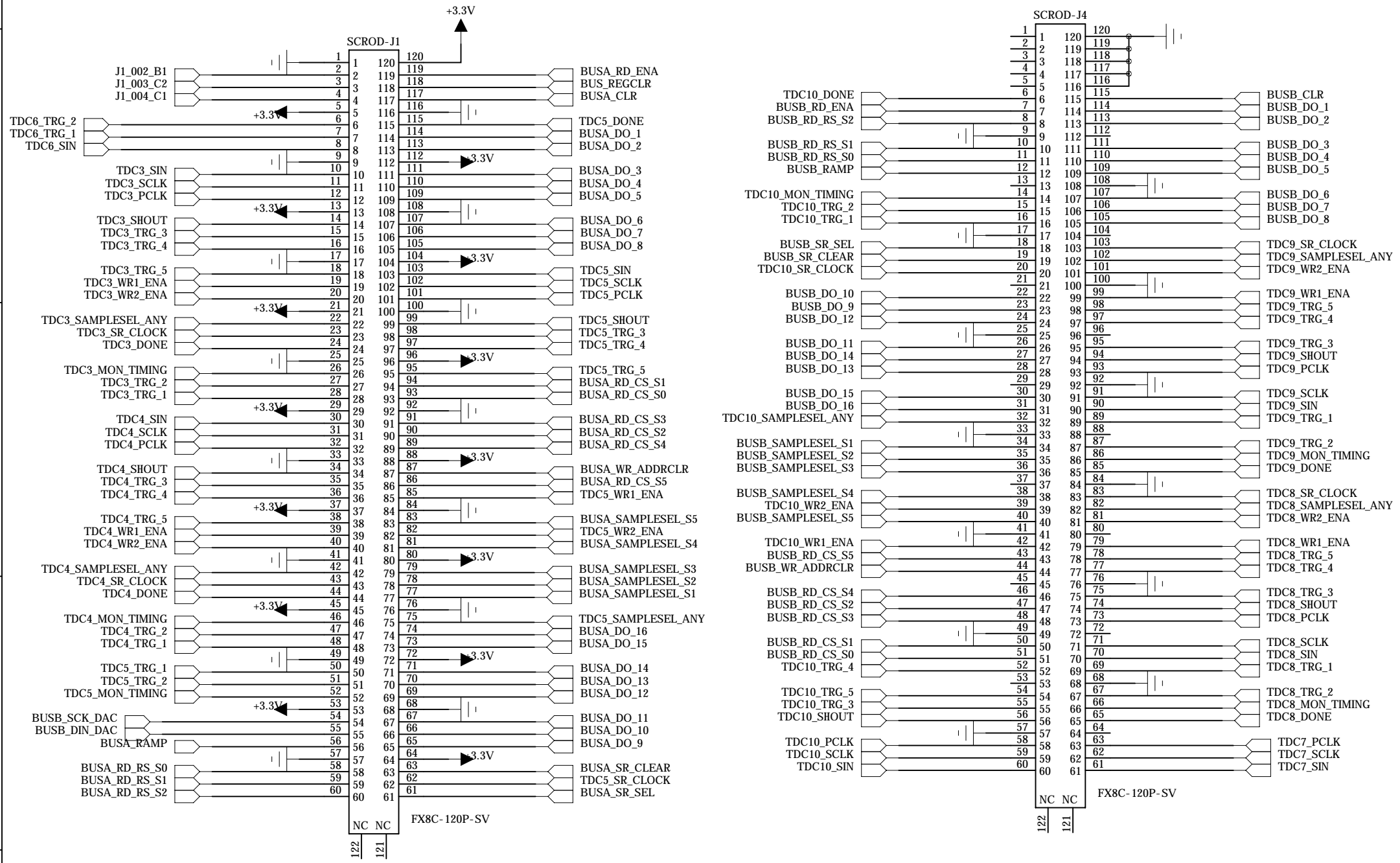
C

B

B

A

A



institution:	University of Hawaii at Manoa High Energy Physics Lab Instrumentation Development Lab
title:	KLM TX 9U Motherboard
revision:	C
IDLAB design #:	IDL_15_003
circuit design:	IDLAB
PCB design:	IDLAB
sheet #:	
sheet description:	
date last modified:	2015-04-12

E

E

D

D

C

C

B

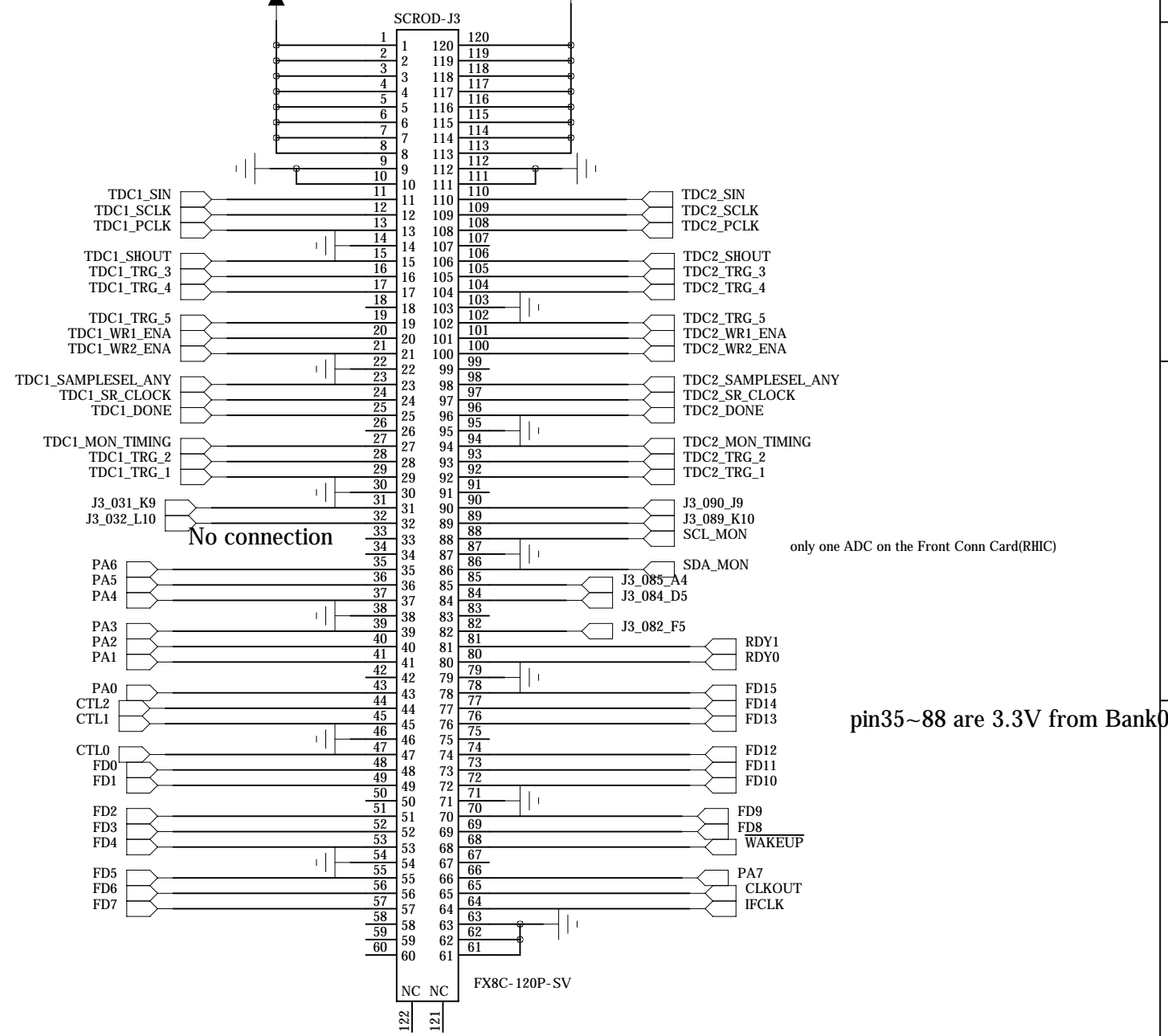
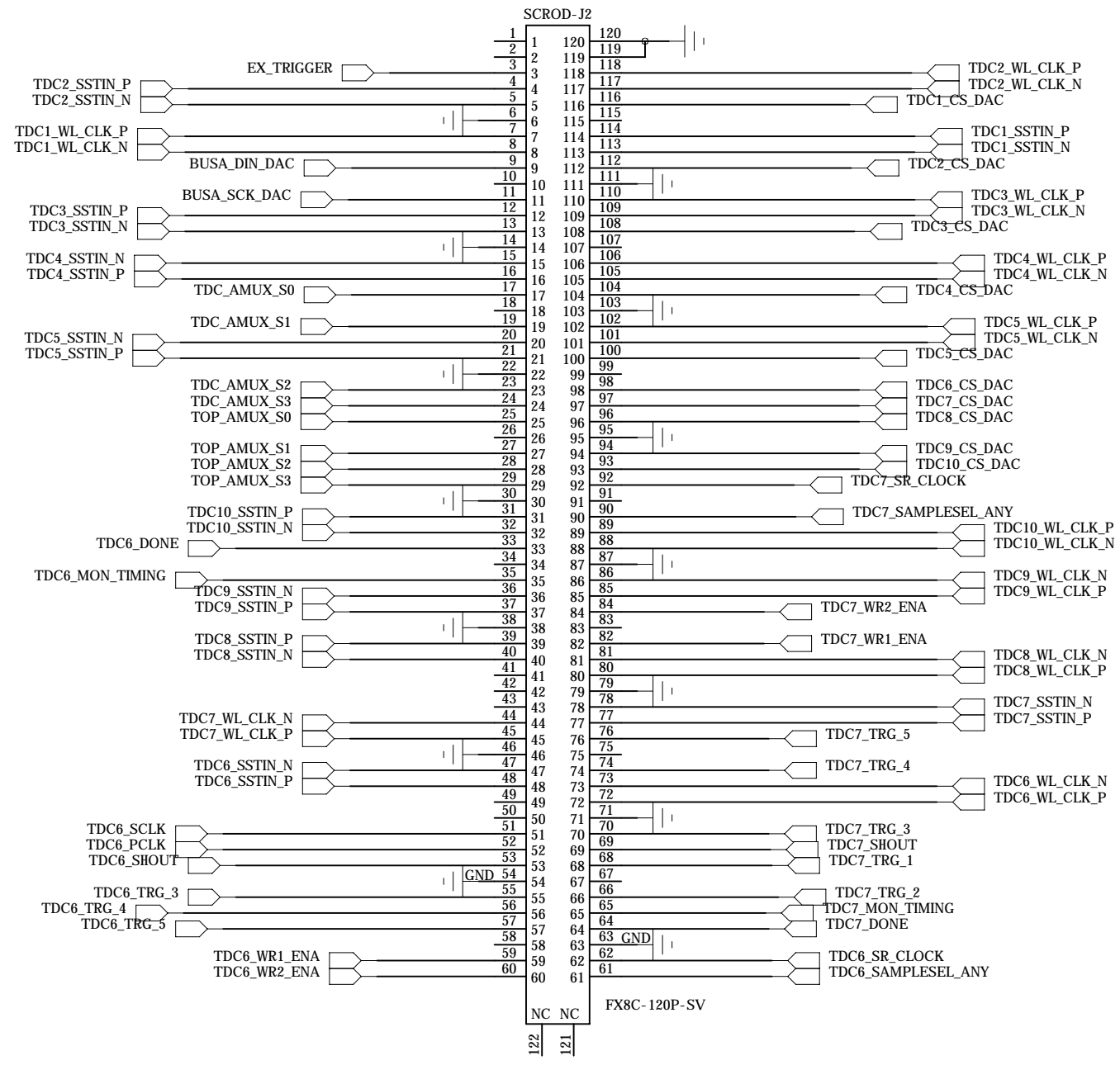
B

A

A

Power the SCROD from +5V
Disconnect the jumpers for +3.3V on MB.

+5V +5V



No connection

only one ADC on the Front Conn Card(RHIC)

pin35~88 are 3.3V from Bank0

institution:	University of Hawaii at Manoa High Energy Physics Lab Instrumentation Development Lab
title:	KLM TX 9U Motherboard
revision:	C
IDLAB design #:	IDL 15_003
circuit design:	IDLAB
PCB design:	IDLAB
sheet #:	
sheet description:	
date last modified:	2015-04-12

6

5

4

3

2

1

E

E

D

D

C

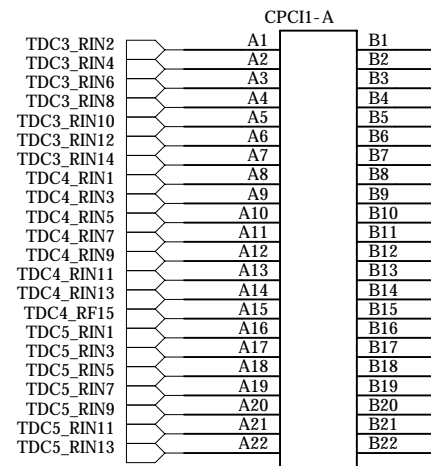
C

B

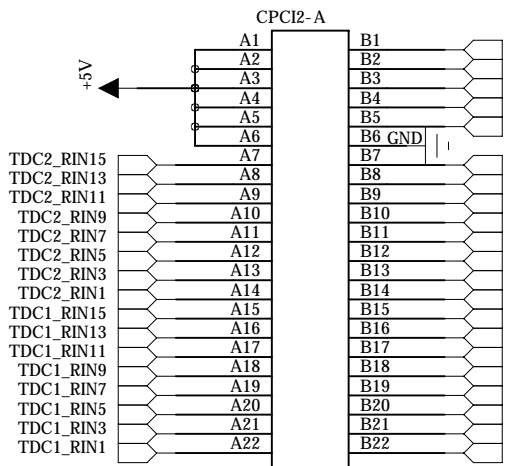
B

A

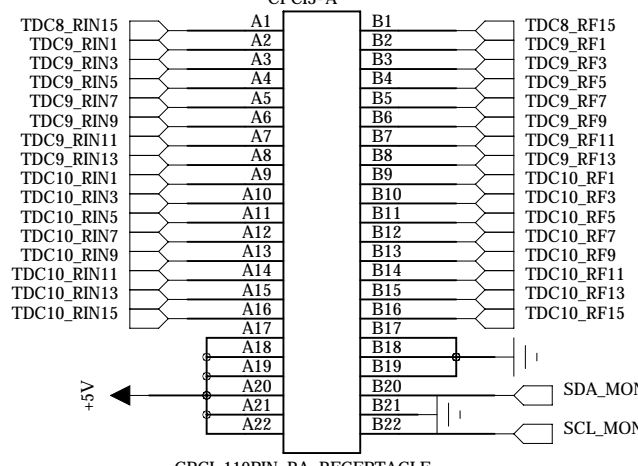
A



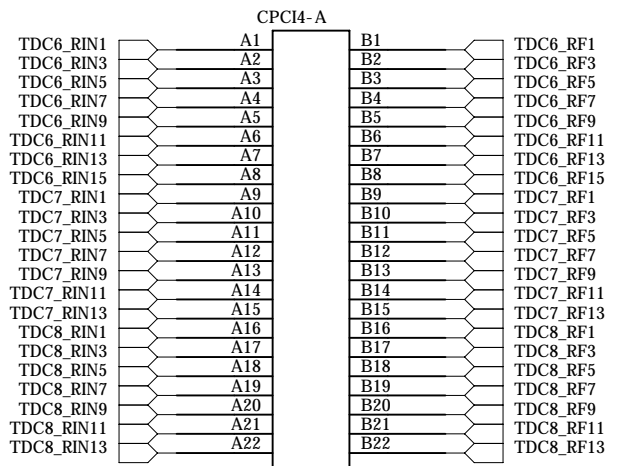
CPCI-110PIN-RA-RECEPTACLE



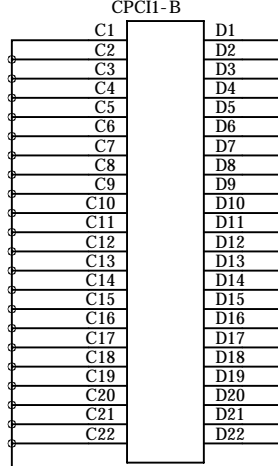
CPCI-110PIN-RA-RECEPTACLE



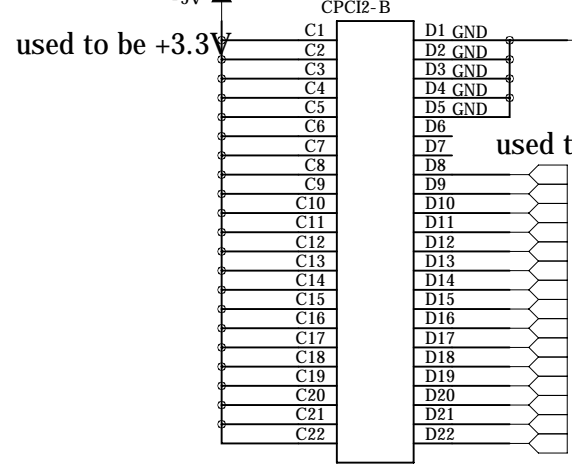
CPCI-110PIN-RA-RECEPTACLE



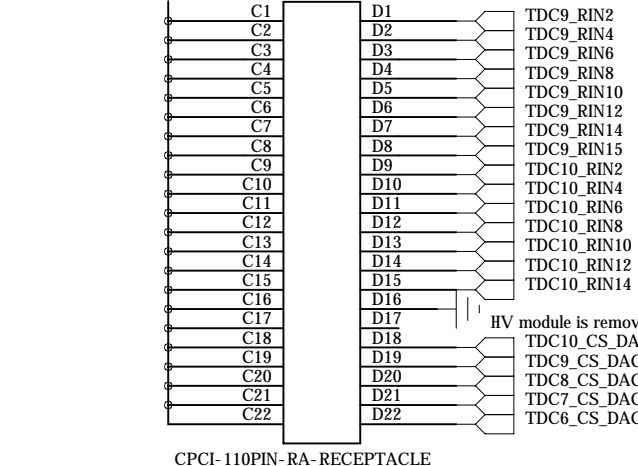
CPCI-110PIN-RA-RECEPTACLE



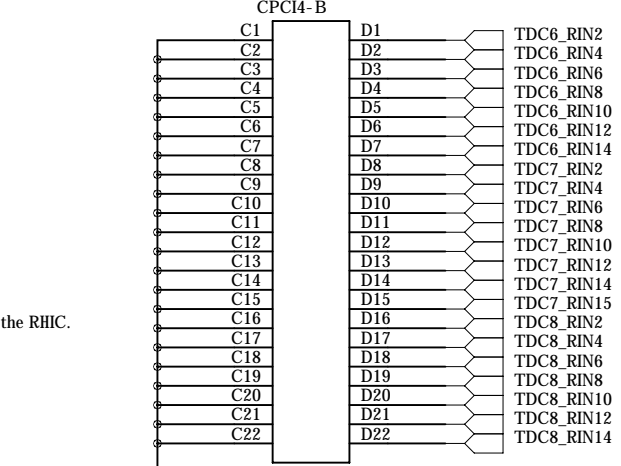
CPCI-110PIN-RA-RECEPTACLE



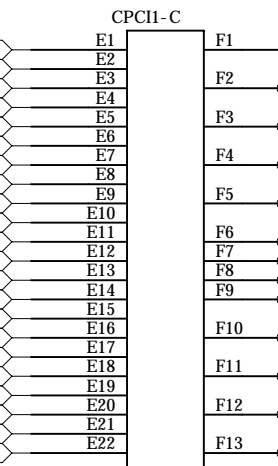
CPCI-110PIN-RA-RECEPTACLE



CPCI-110PIN-RA-RECEPTACLE

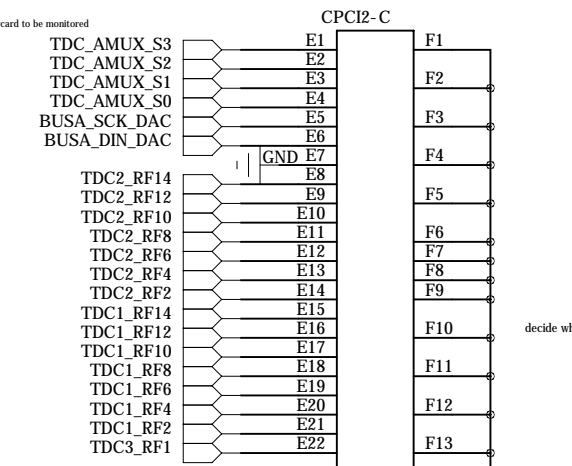


CPCI-110PIN-RA-RECEPTACLE



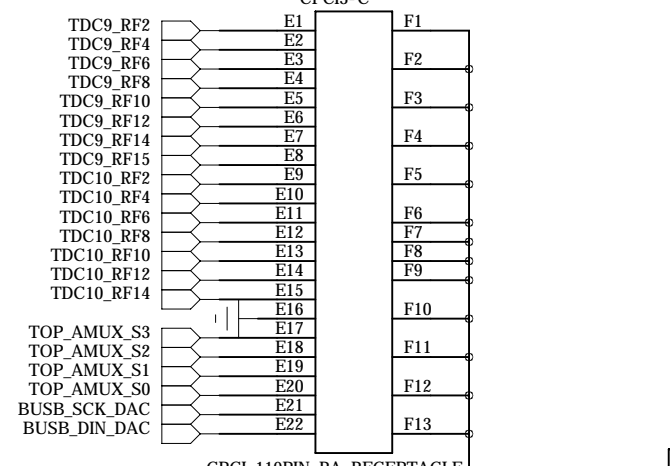
CPCI-110PIN-RA-RECEPTACLE

to choose the channel on each daughtercard to be monitored

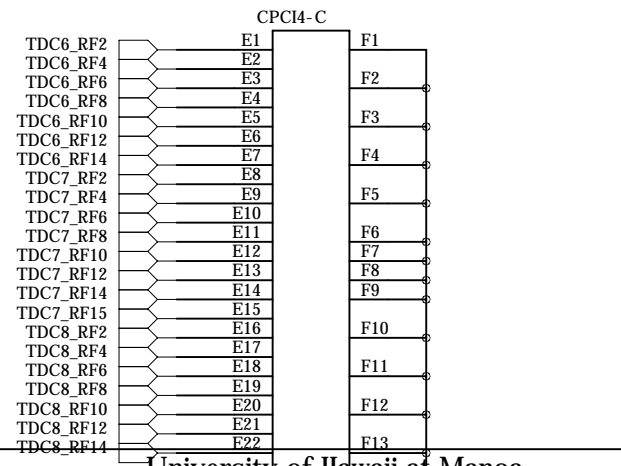


CPCI-110PIN-RA-RECEPTACLE

decide which daughtercard to be monitored.



CPCI-110PIN-RA-RECEPTACLE



CPCI-110PIN-RA-RECEPTACLE

institution: University of Hawaii at Manoa
High Energy Physics Lab
Instrumentation Development Lab

title: KLM TX 9U Motherboard
revision: C
IDLAB design #: IDL 15_003
circuit design: IDLAB
PCB design: IDLAB

sheet #:
sheet description:
date last modified: 2015-04-12

6

5

4

3

2

1

E

E

D

D

C

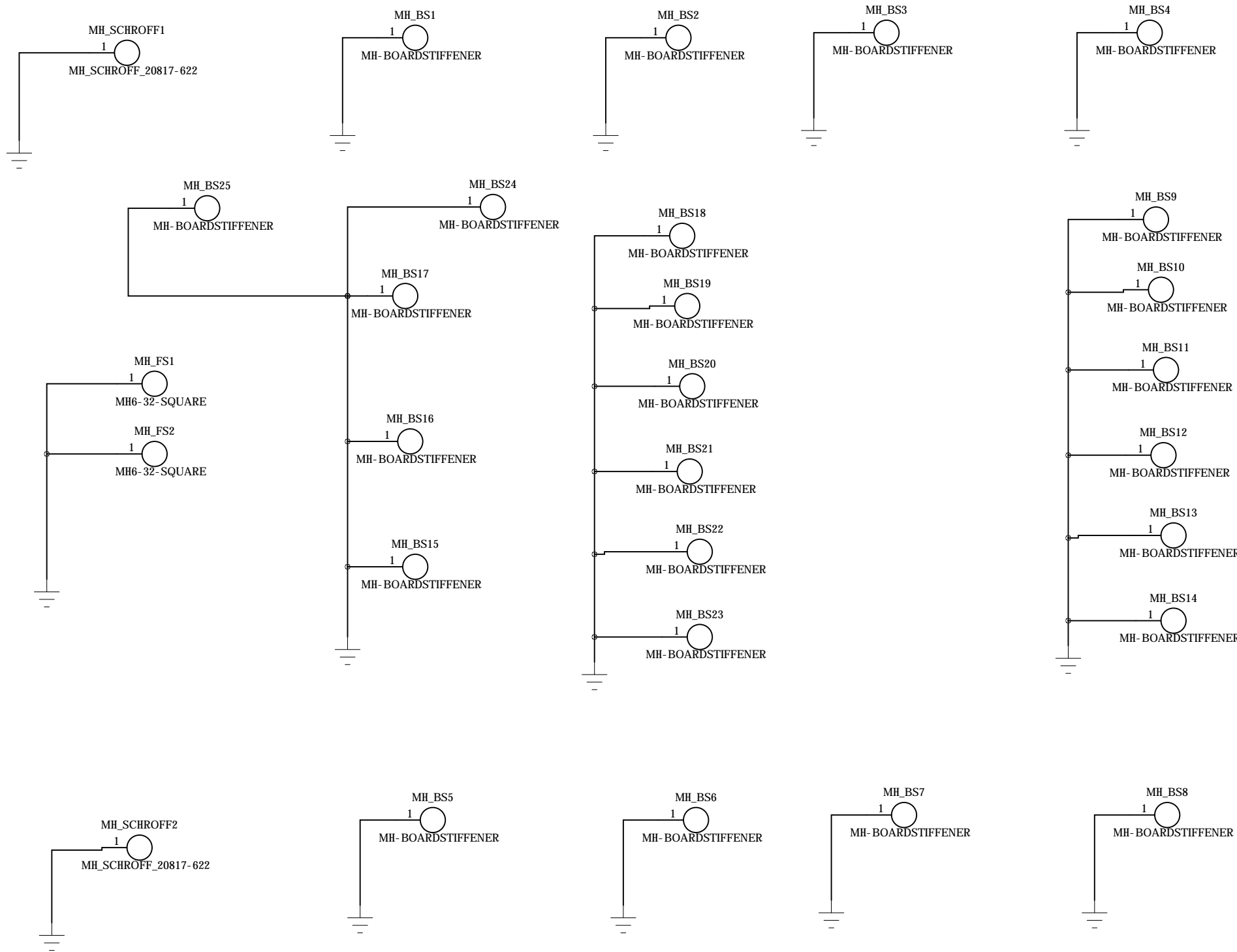
C

B

B

A

A



institution:	University of Hawaii at Manoa High Energy Physics Lab Instrumentation Development Lab
title:	KLM TX 9U Motherboard
revision:	C
IDLAB design #:	IDL_15_003
circuit design:	IDLAB
PCB design:	IDLAB
sheet #:	
sheet description:	
date last modified:	2015-04-12

6

5

4

3

2

1

E

E

D

D

C

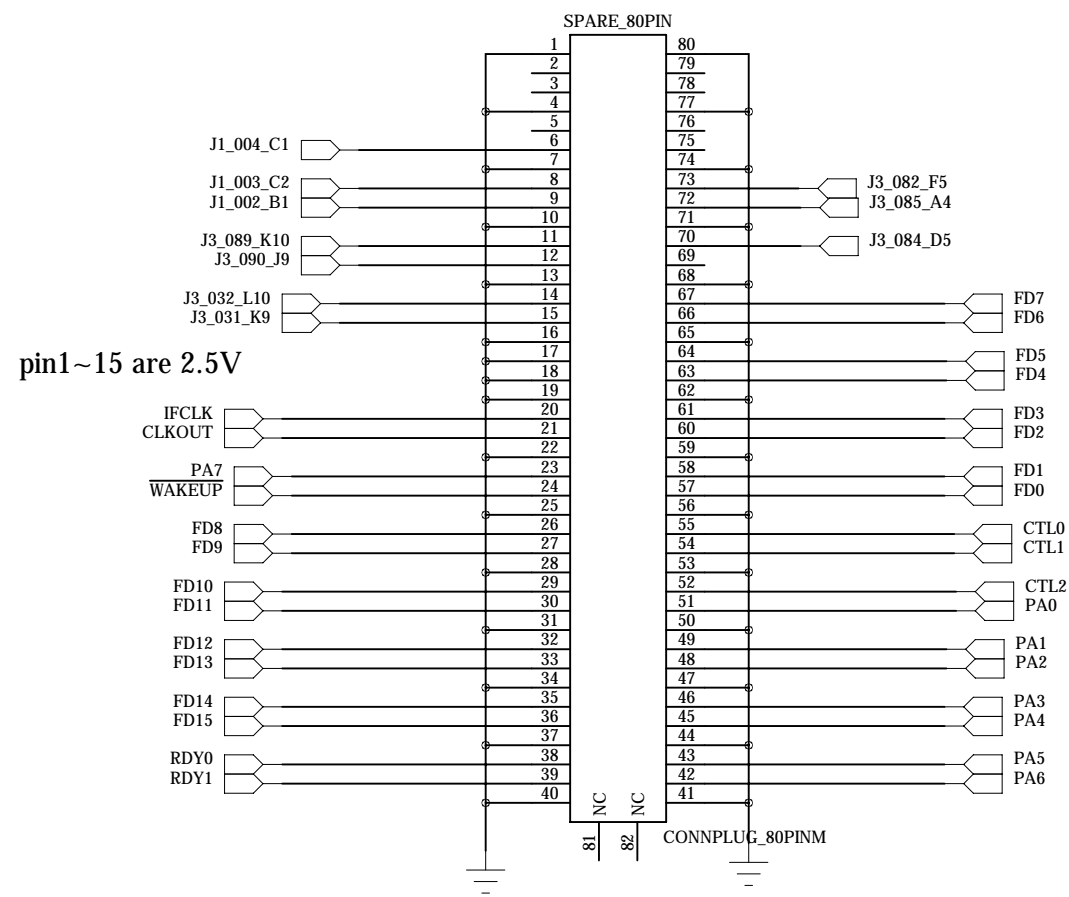
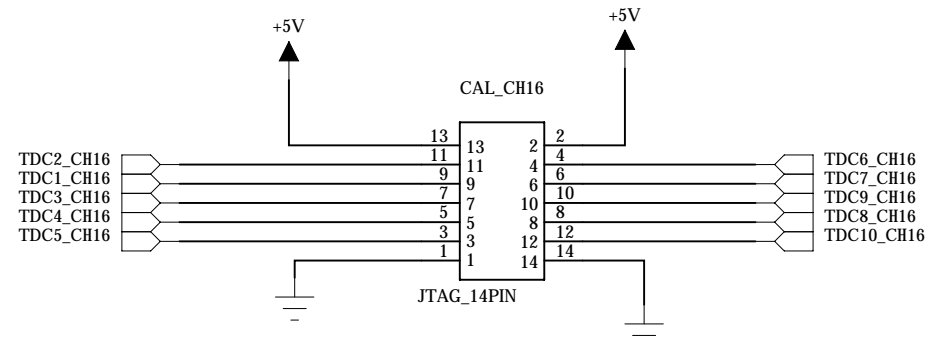
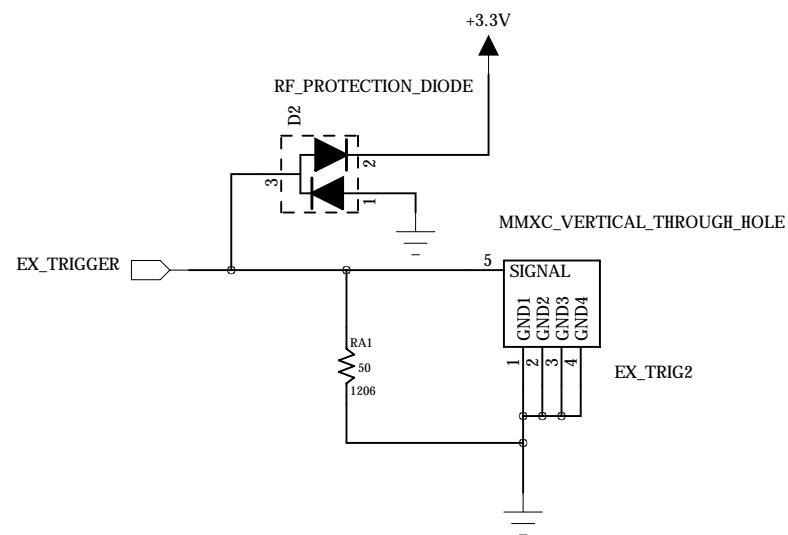
C

B

B

A

A



institution:	University of Hawaii at Manoa High Energy Physics Lab Instrumentation Development Lab
title:	KLM TX 9U Motherboard
revision:	C
IDLAB design #:	IDL_15_003
circuit design:	IDLAB
PCB design:	IDLAB
sheet #:	
sheet description:	
date last modified:	2015-04-12