

6

5

4

3

2

1

E

E

D

D

C

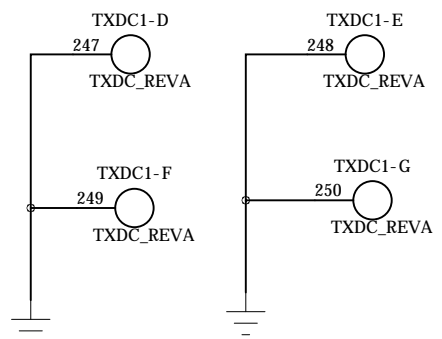
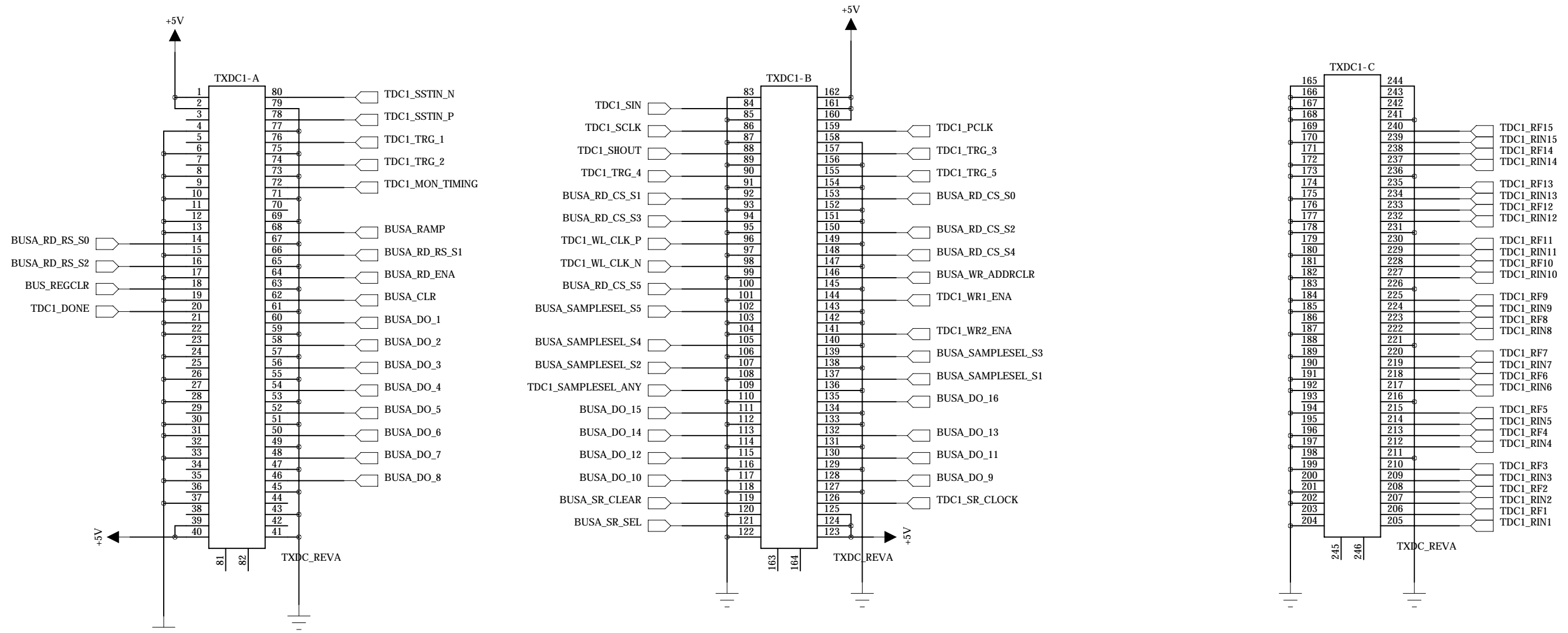
C

B

B

A

A



institution:	University of Hawaii at Manoa High Energy Physics Lab Instrumentation Development Lab
title:	KLM TX 9U Motherboard
revision:	B
IDLAB design #:	IDL 14 033
circuit design:	XS MZA GSV
PCB design:	XS MZA GSV
sheet #:	
sheet description:	
date last modified:	2014-09-14

E

E

D

D

C

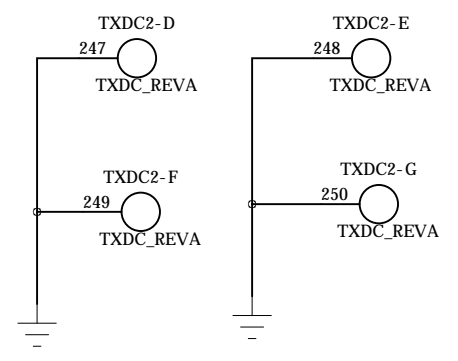
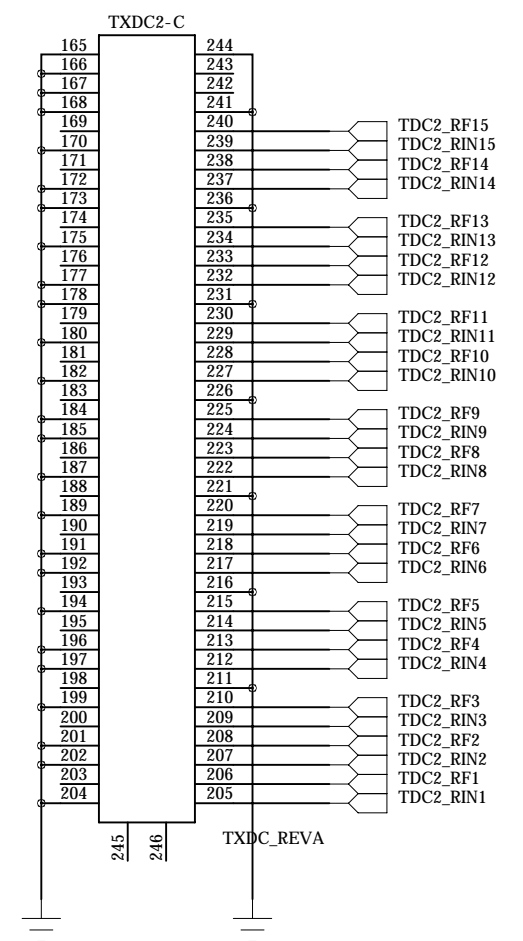
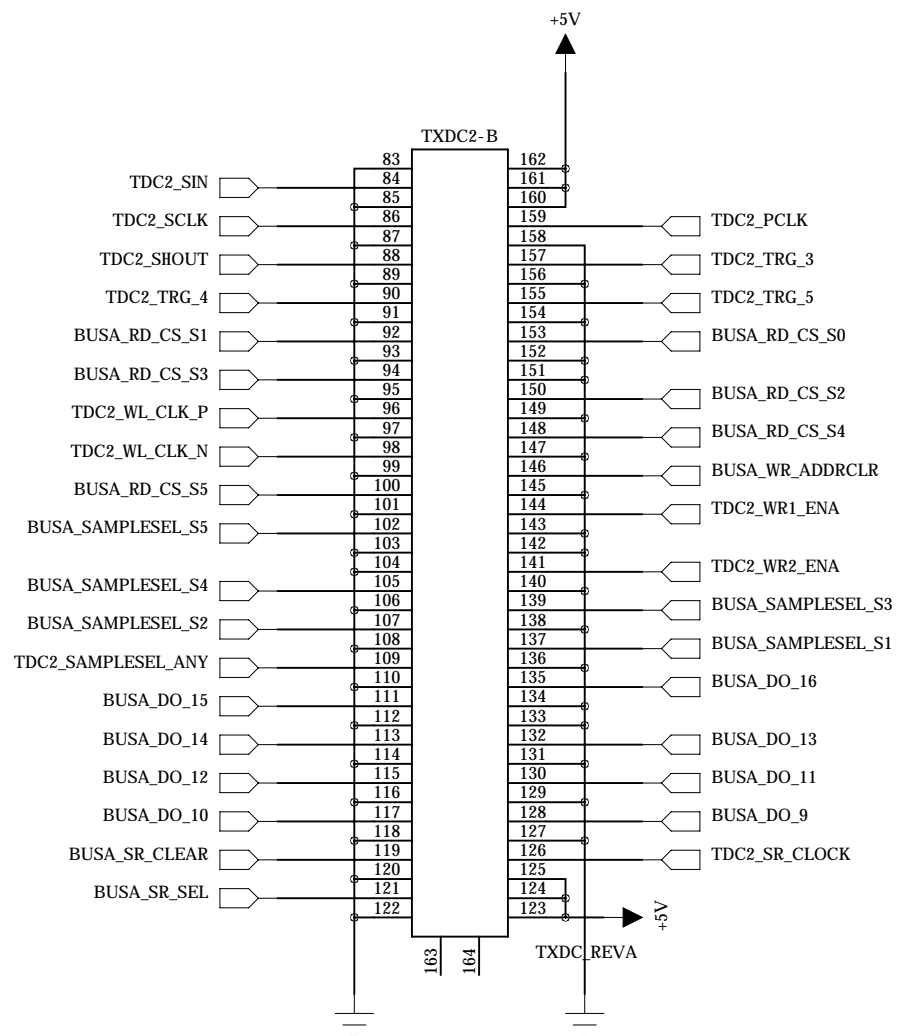
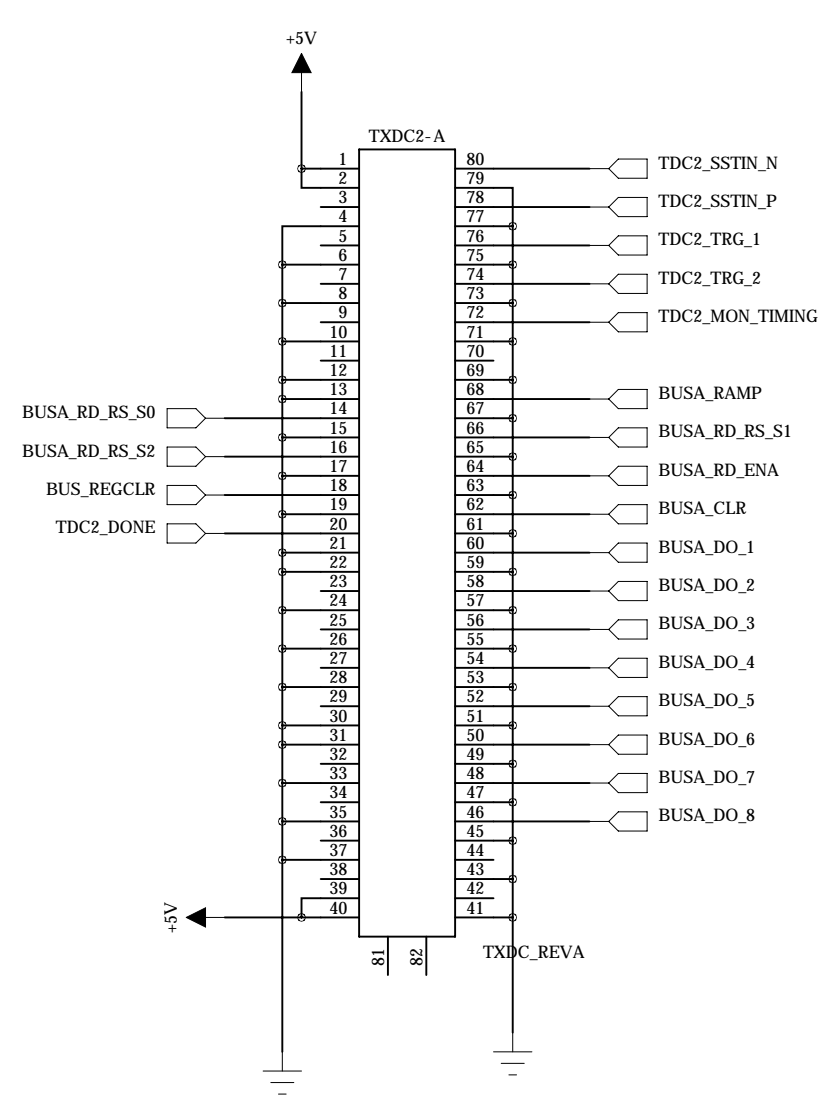
C

B

B

A

A



institution:	University of Hawaii at Manoa High Energy Physics Lab Instrumentation Development Lab
title:	KLM TX 9U Motherboard
revision:	B
IDLAB design #:	IDL 14 033
circuit design:	XS MZA GSV
PCB design:	XS MZA GSV
sheet #:	
sheet description:	
date last modified:	2014-09-14

E

E

D

D

C

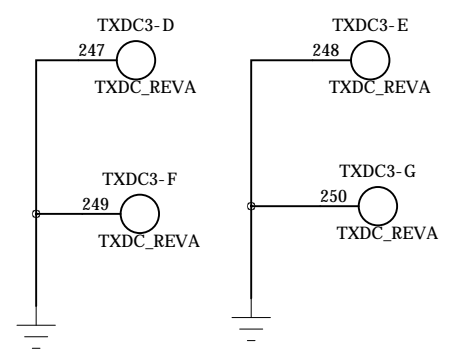
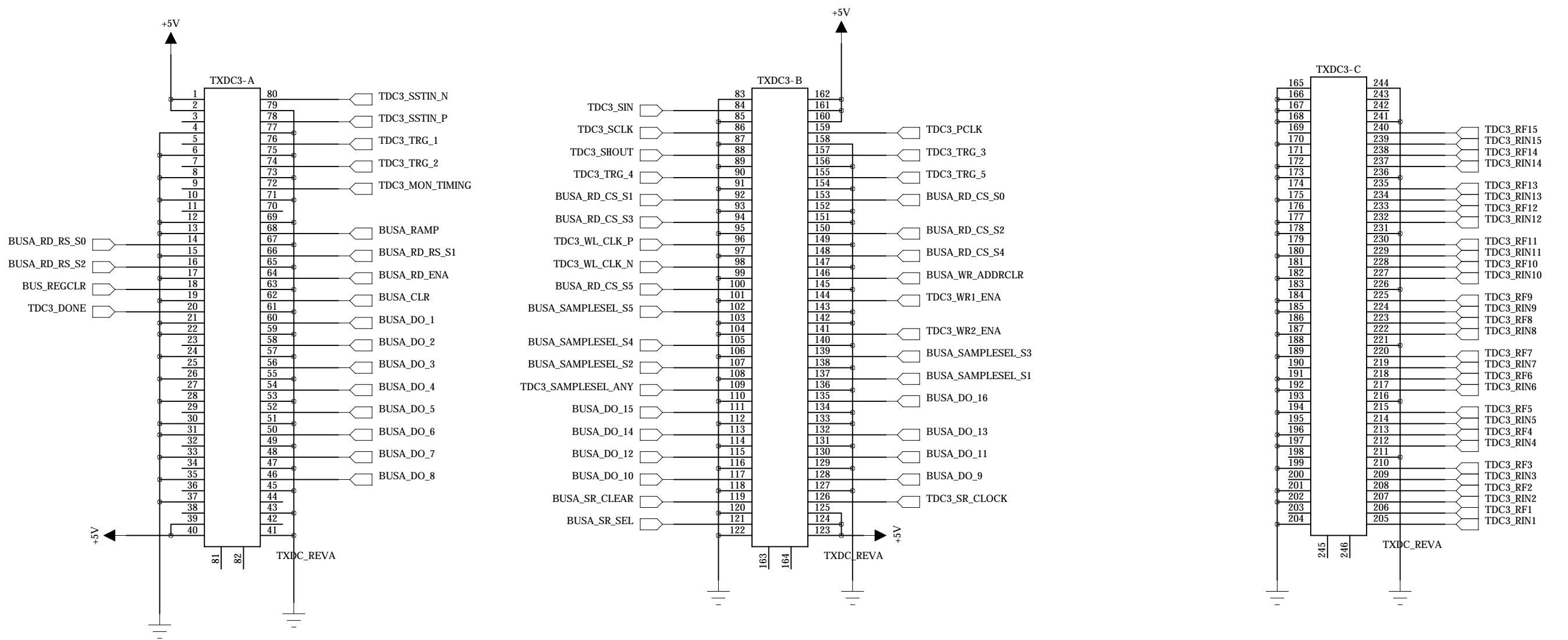
C

B

B

A

A



institution:	University of Hawaii at Manoa High Energy Physics Lab Instrumentation Development Lab
title:	KLM TX 9U Motherboard
revision:	B
IDLAB design #:	IDL 14 033
circuit design:	XS MZA GSV
PCB design:	XS MZA GSV
sheet #:	
sheet description:	
date last modified:	2014-09-14

6

5

4

3

2

1

E

E

D

D

C

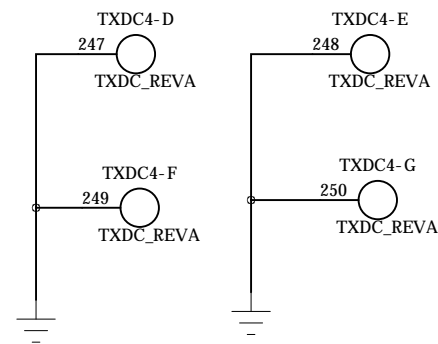
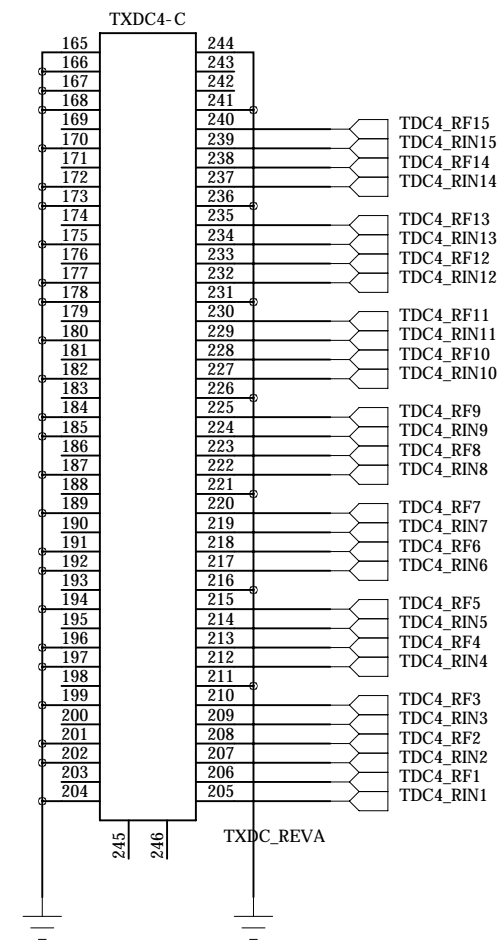
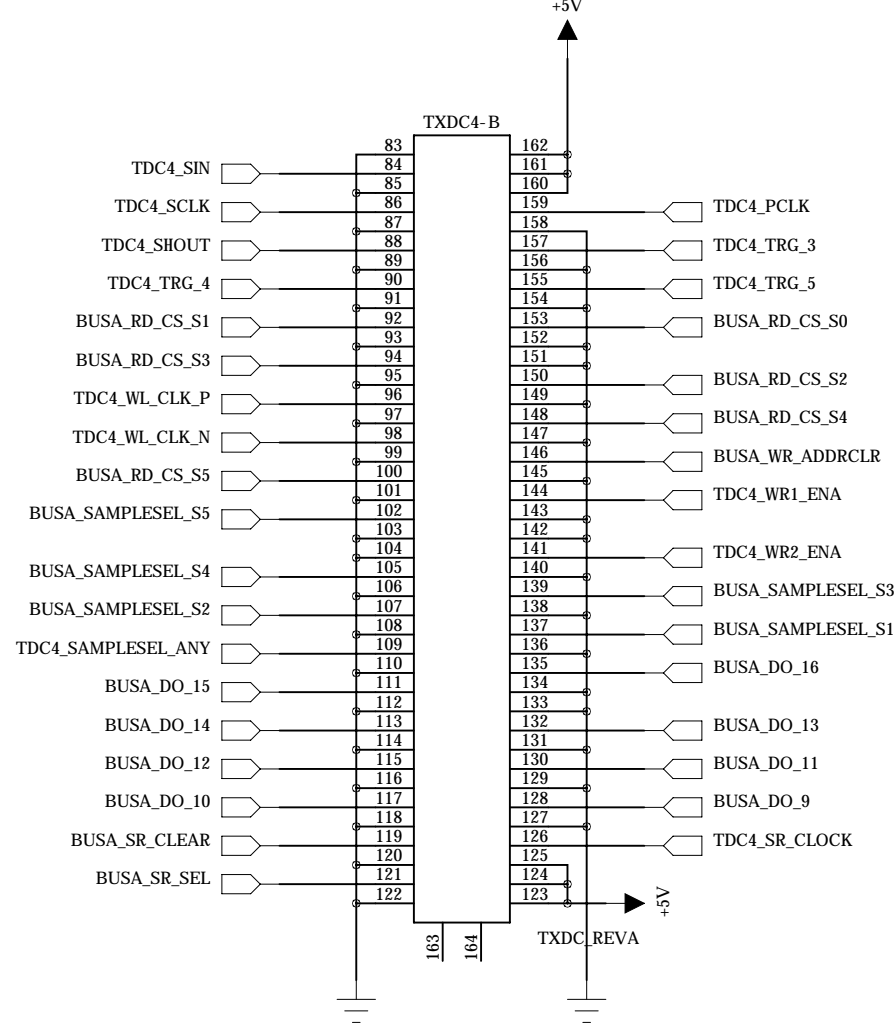
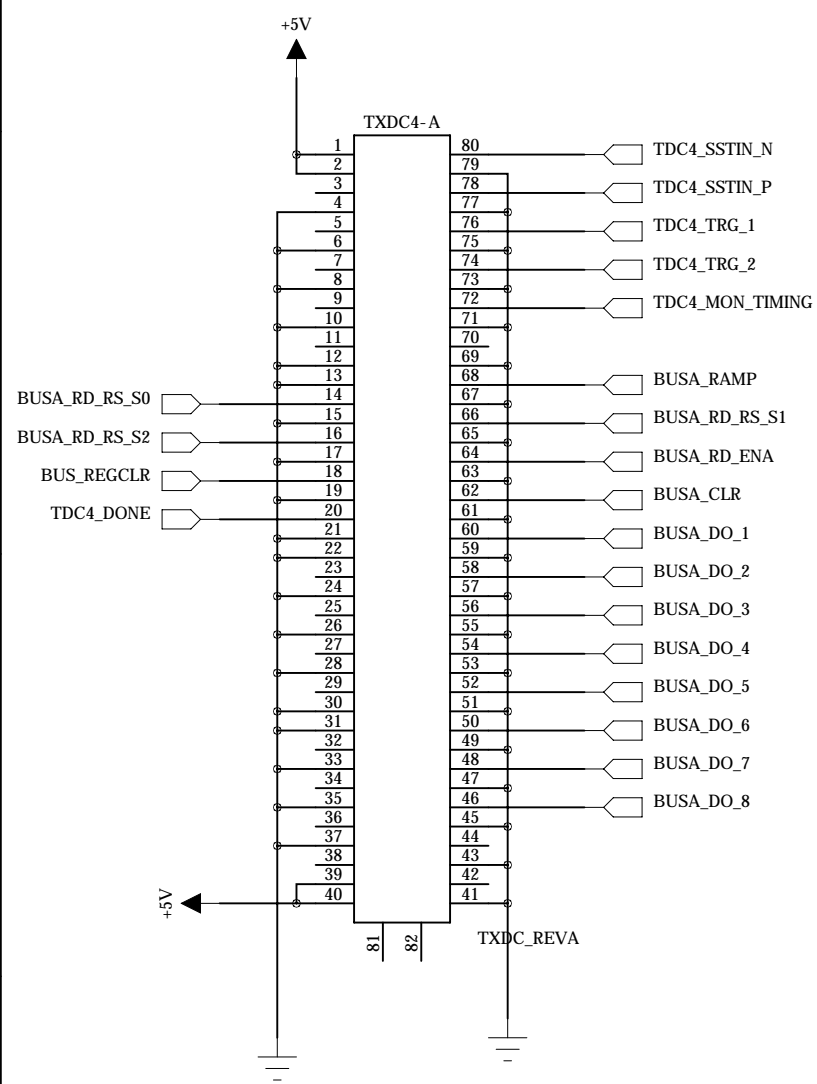
C

B

B

A

A



institution:	University of Hawaii at Manoa High Energy Physics Lab Instrumentation Development Lab
title:	KLM TX 9U Motherboard
revision:	B
IDLAB design #:	IDL 14 033
circuit design:	XS MZA GSV
PCB design:	XS MZA GSV
sheet #:	
sheet description:	
date last modified:	2014-09-14

E

E

D

D

C

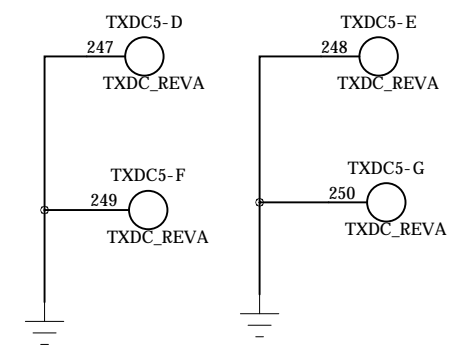
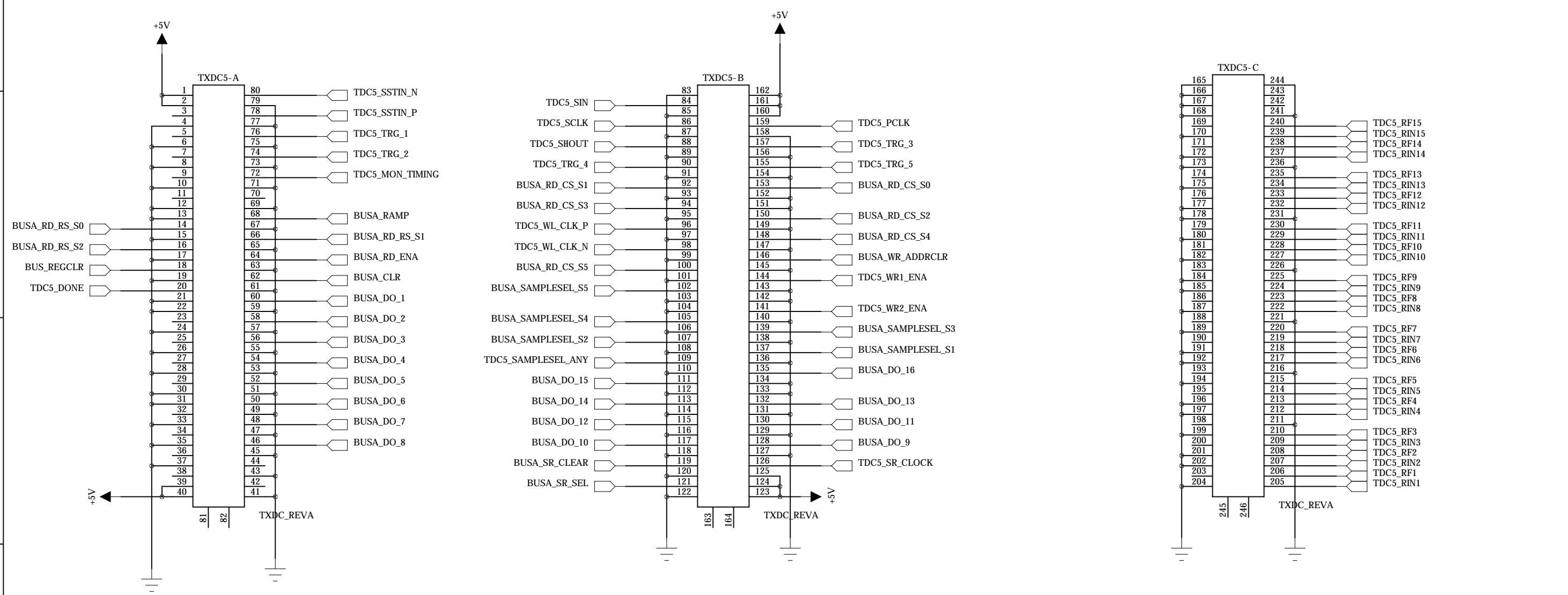
C

B

B

A

A



institution:	University of Hawaii at Manoa High Energy Physics Lab Instrumentation Development Lab
title:	KLM TX 9U Motherboard
revision:	B
IDLAB design #:	IDL_14_033
circuit design:	XS MZA GSV
PCB design:	XS MZA GSV
sheet #:	
sheet description:	
date last modified:	2014-09-14

6

5

4

3

2

1

E

E

D

D

C

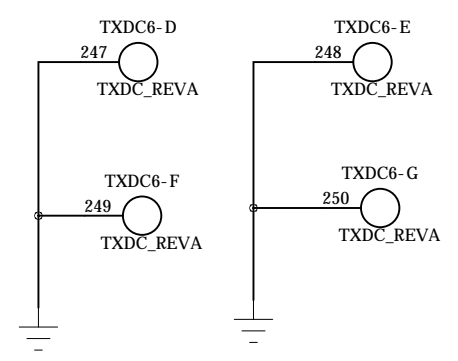
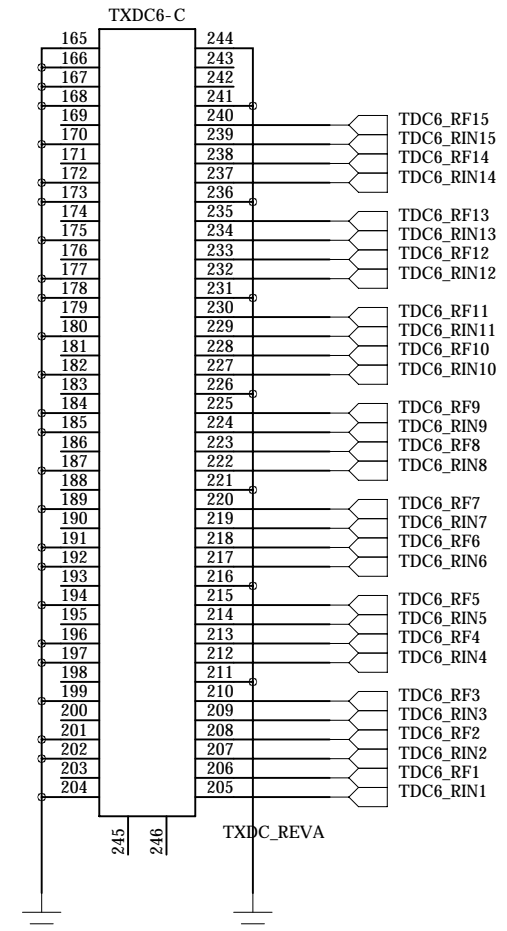
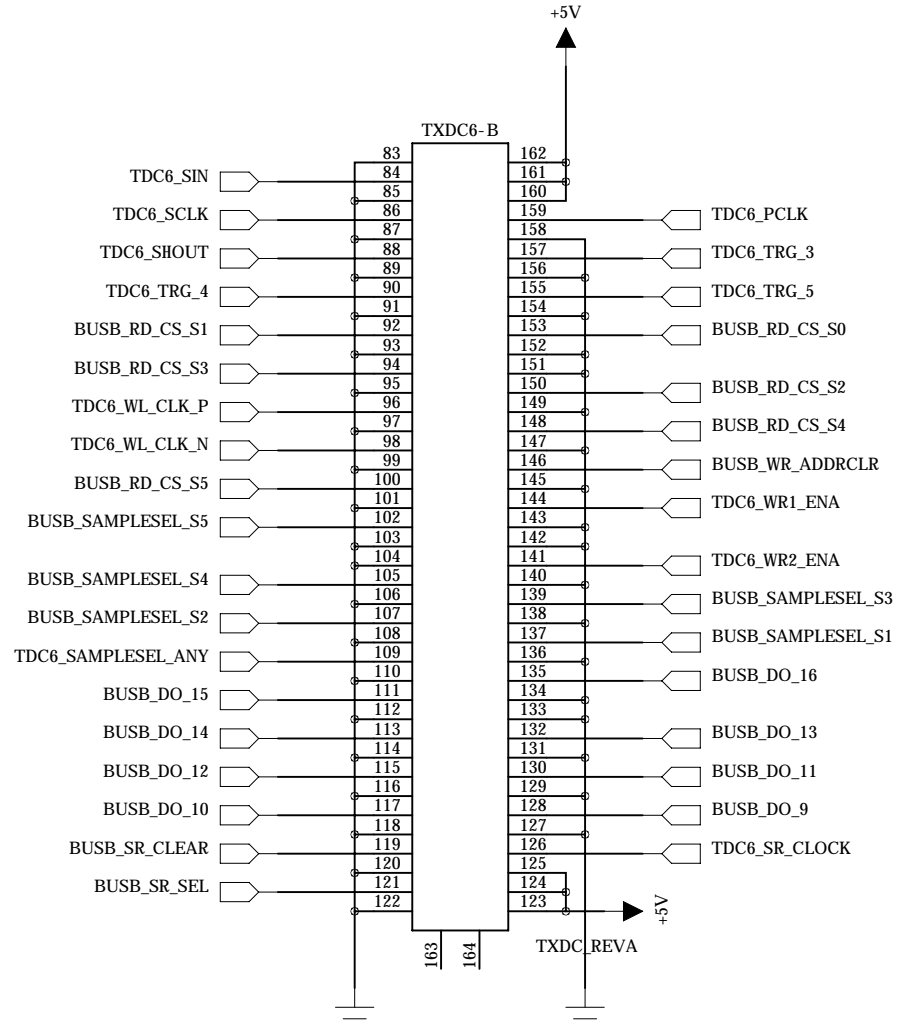
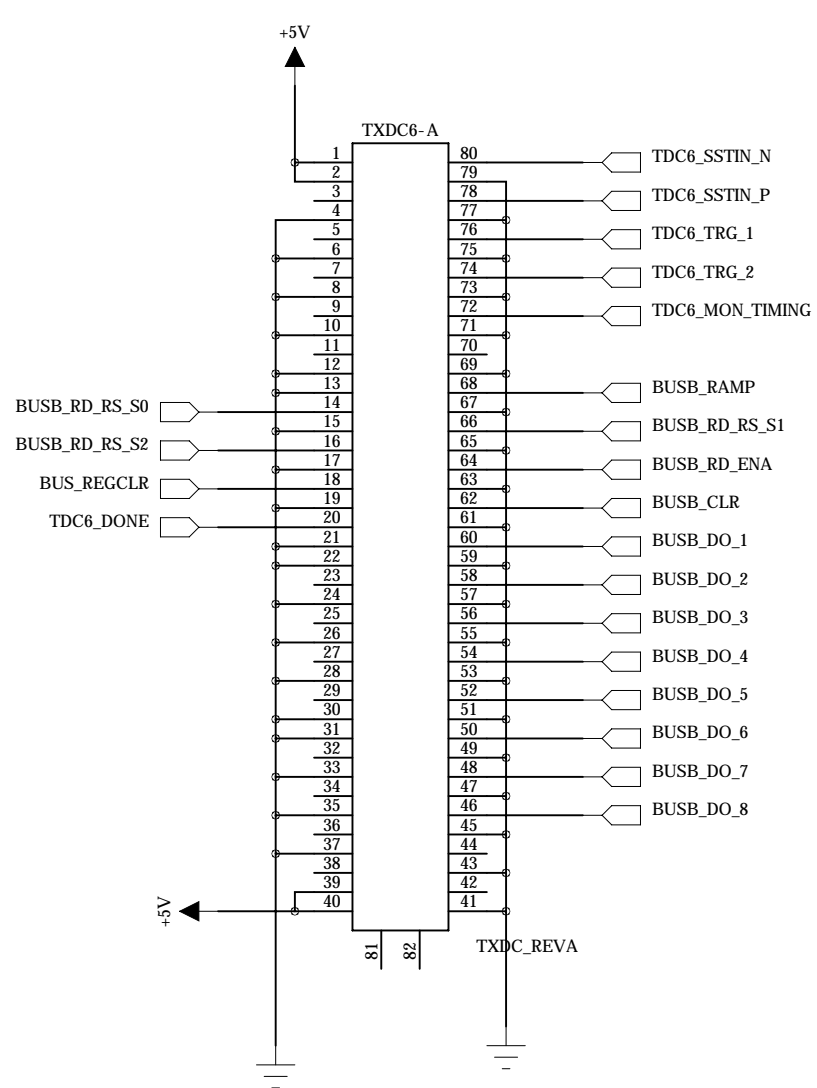
C

B

B

A

A



institution:	University of Hawaii at Manoa High Energy Physics Lab Instrumentation Development Lab
title:	KLM TX 9U Motherboard
revision #:	B
IDLAB design #:	IDL 14_033
circuit design:	XS MZA GSV
PCB design:	XS MZA GSV
sheet #:	
sheet description:	
date last modified:	2014-09-14

6

5

4

3

2

1

E

E

D

D

C

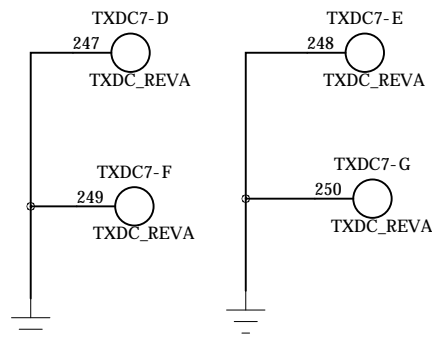
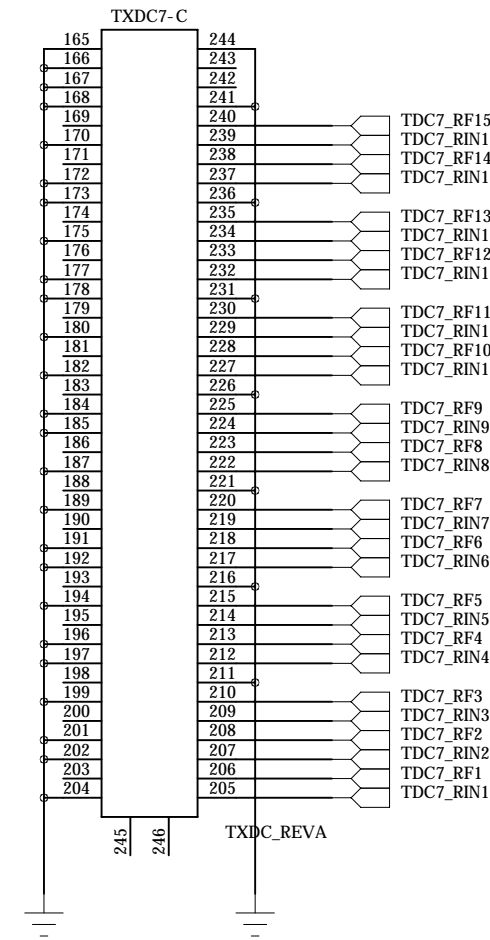
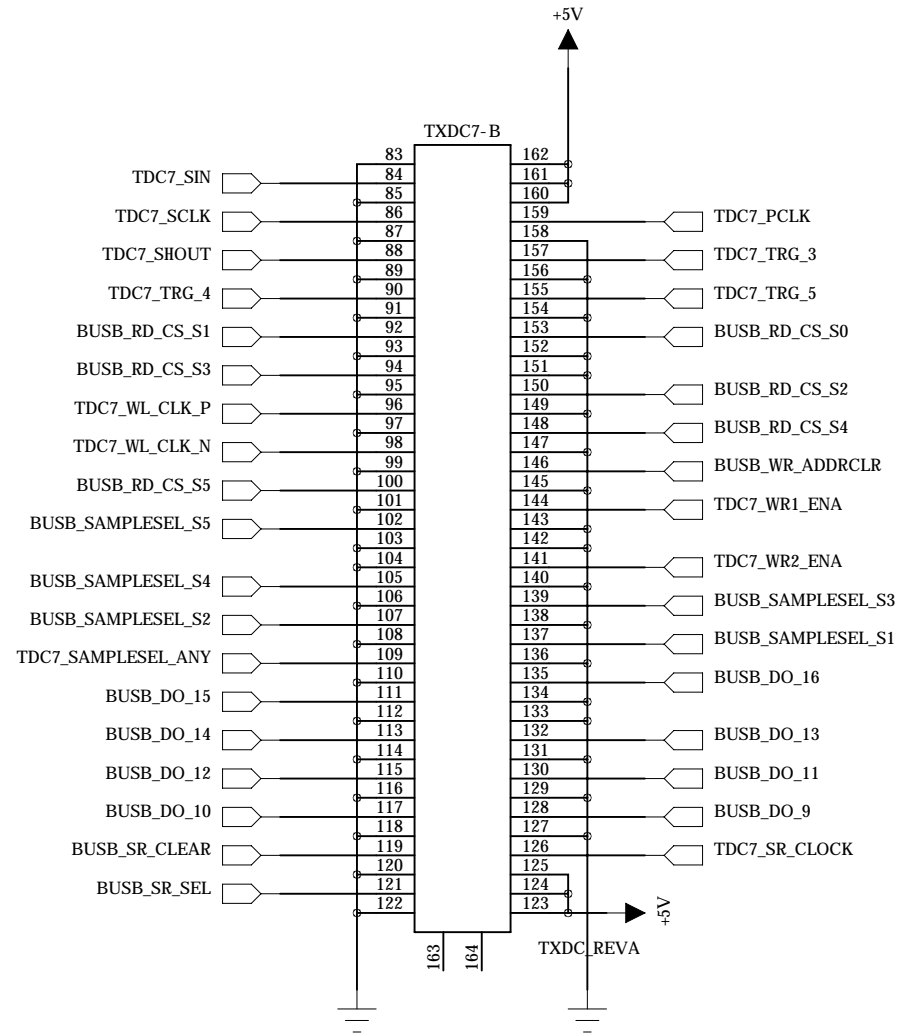
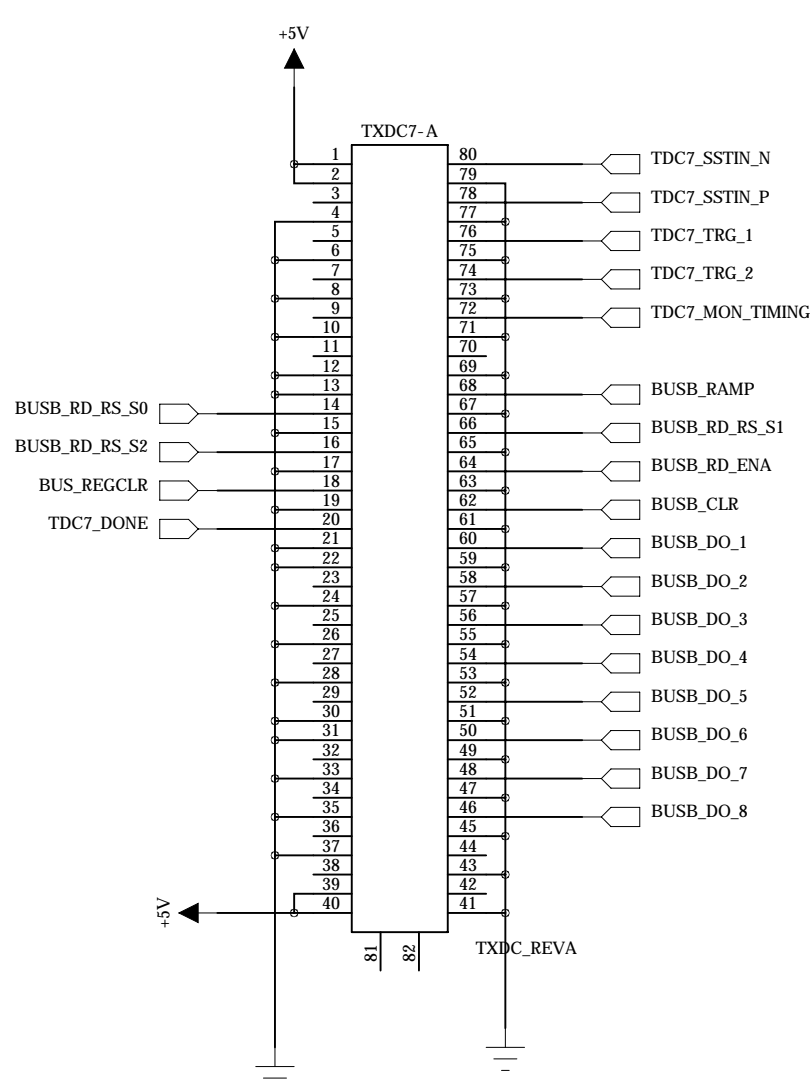
C

B

B

A

A



institution:	University of Hawaii at Manoa High Energy Physics Lab Instrumentation Development Lab
title:	KLM TX 9U Motherboard
revision:	B
IDLAB design #:	IDL 14 033
circuit design:	XS MZA GSV
PCB design:	XS MZA GSV
sheet #:	
sheet description:	
date last modified:	2014-09-14

6

5

4

3

2

1

E

E

D

D

C

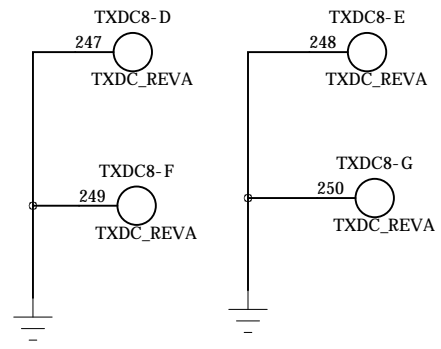
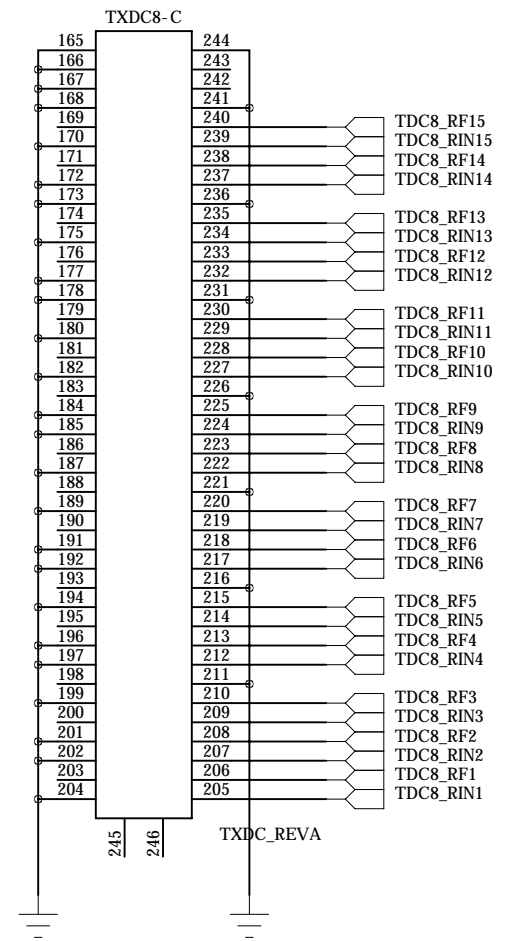
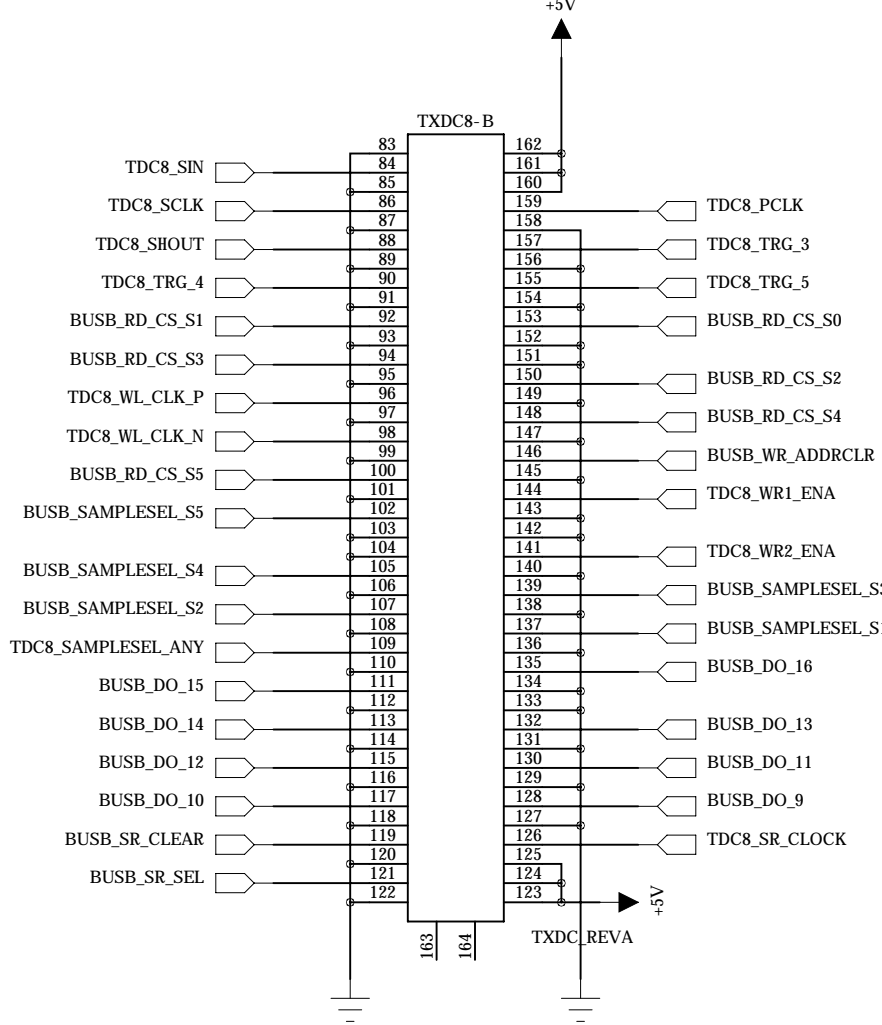
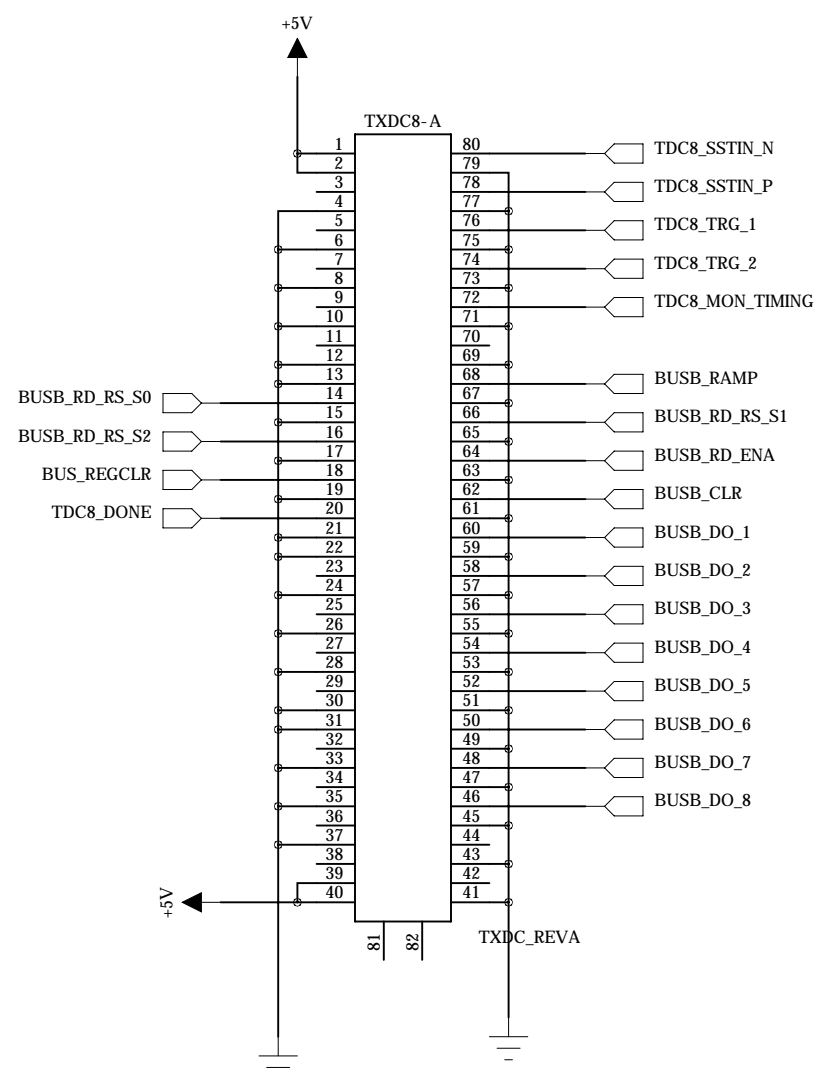
C

B

B

A

A



institution:	University of Hawaii at Manoa High Energy Physics Lab Instrumentation Development Lab
title:	KLM TX 9U Motherboard
revision:	B
IDLAB design #:	IDL_14_033
circuit design:	XS MZA GSV
PCB design:	XS MZA GSV
sheet #:	
sheet description:	
date last modified:	2014-09-14

6

5

4

3

2

1

E

E

D

D

C

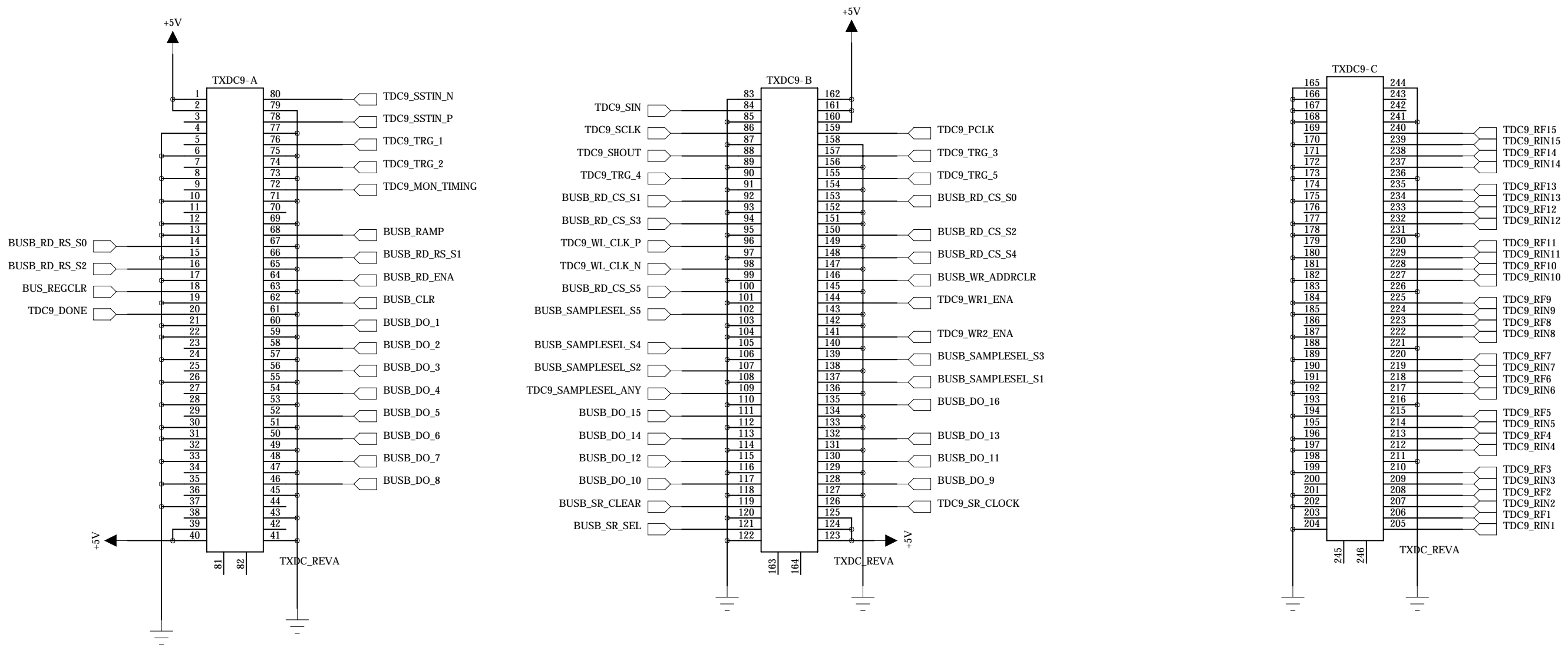
C

B

B

A

A



institution:	University of Hawaii at Manoa High Energy Physics Lab Instrumentation Development Lab
title:	KLM TX 9U Motherboard
revision:	B
IDLAB design #:	IDL 14 033
circuit design:	XS MZA GSV
PCB design:	XS MZA GSV
sheet #:	
sheet description:	
date last modified:	2014-09-14

6

5

4

3

2

1

E

E

D

D

C

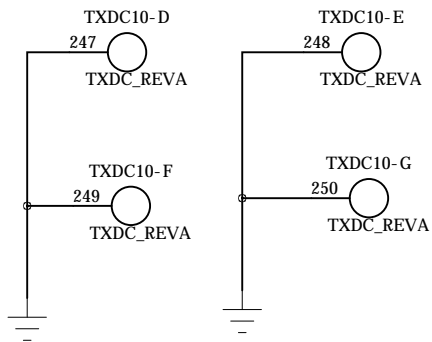
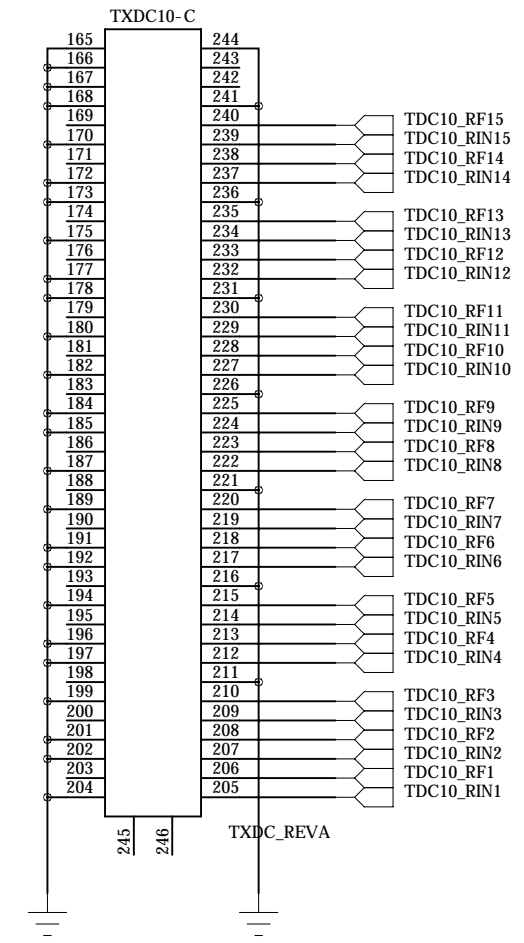
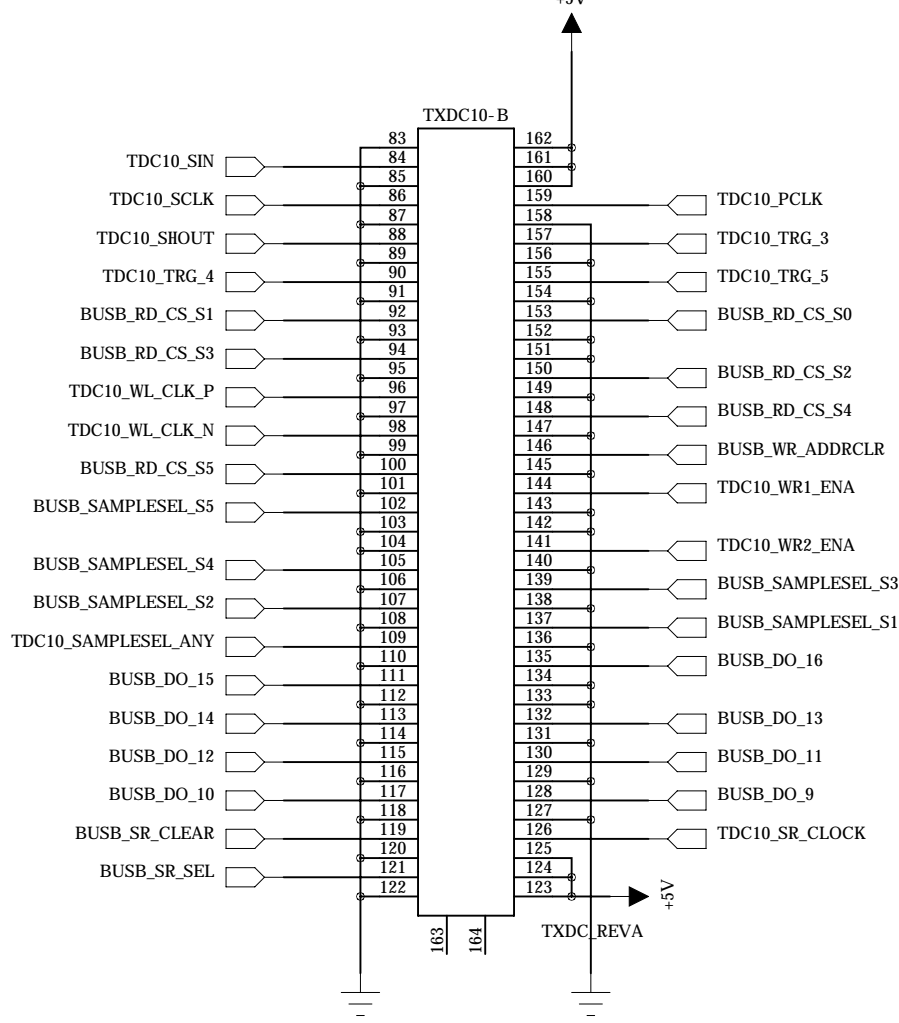
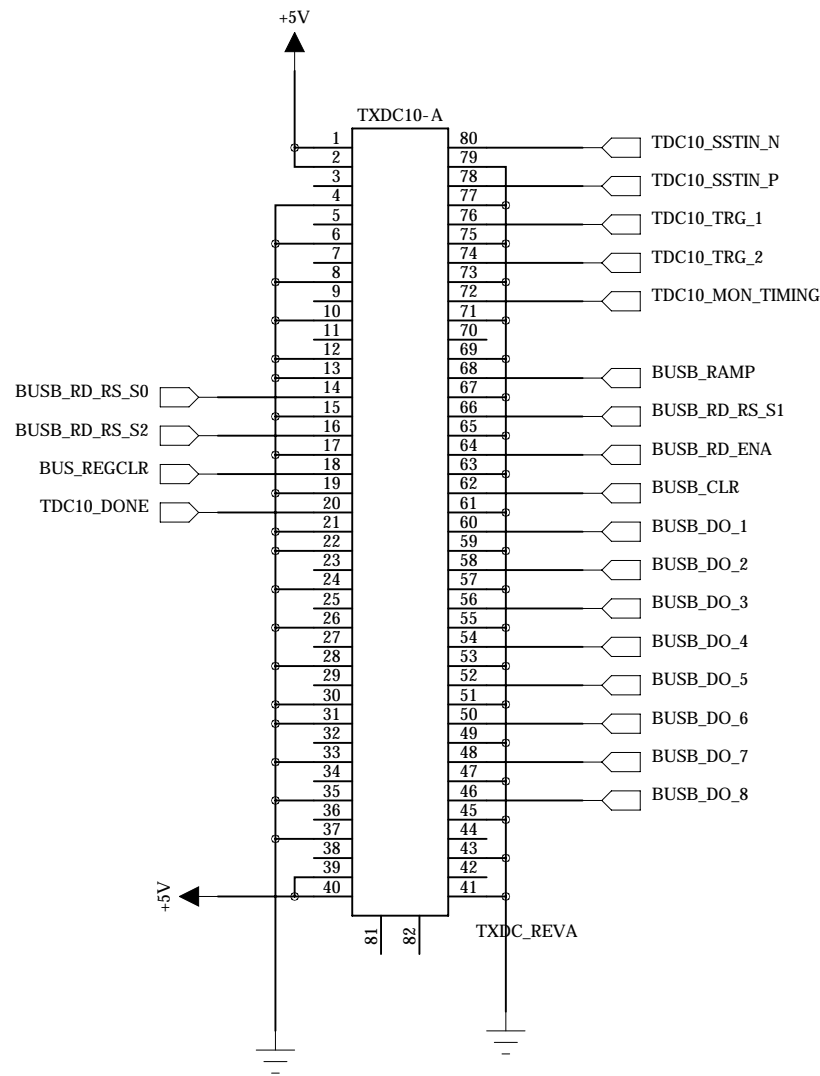
C

B

B

A

A



institution:	University of Hawaii at Manoa High Energy Physics Lab Instrumentation Development Lab
title:	KLM TX 9U Motherboard
revision:	B
IDLAB design #:	IDL_14_033
circuit design:	XS MZA GSV
PCB design:	XS MZA GSV
sheet #:	
sheet description:	
date last modified:	2014-09-14

6

5

4

3

2

1

E

E

D

D

C

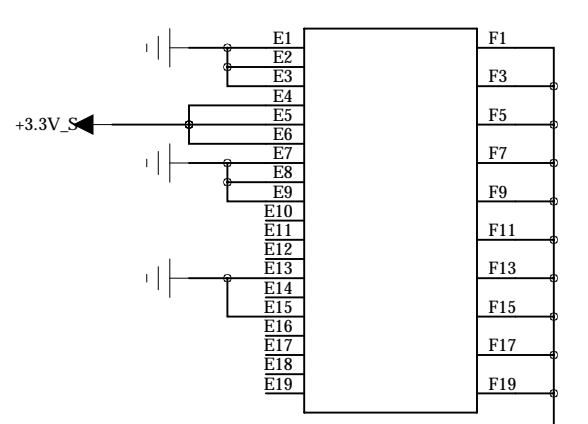
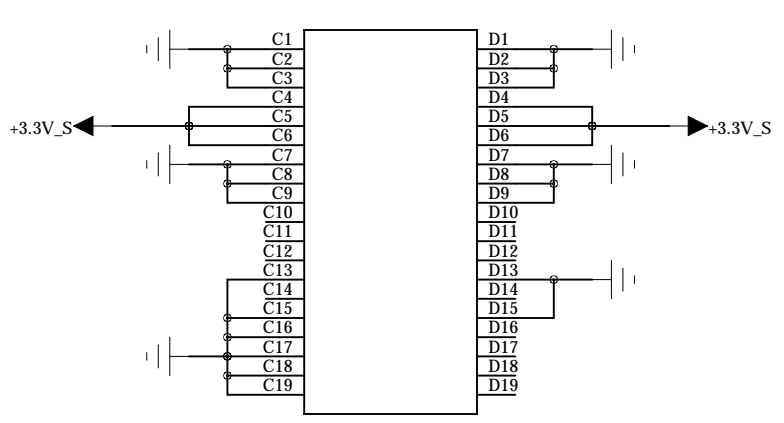
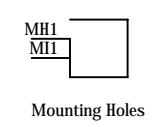
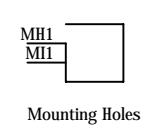
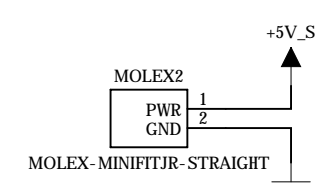
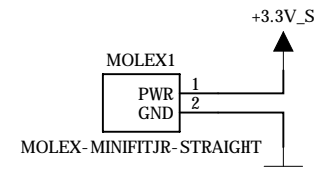
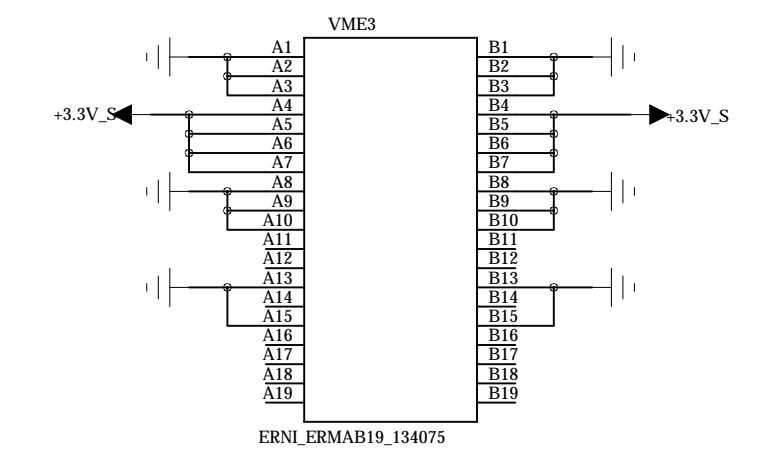
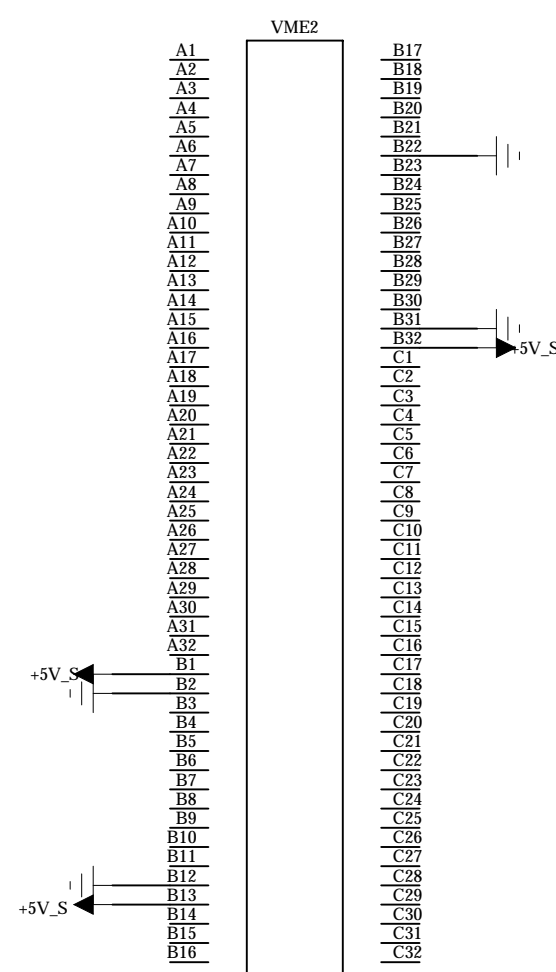
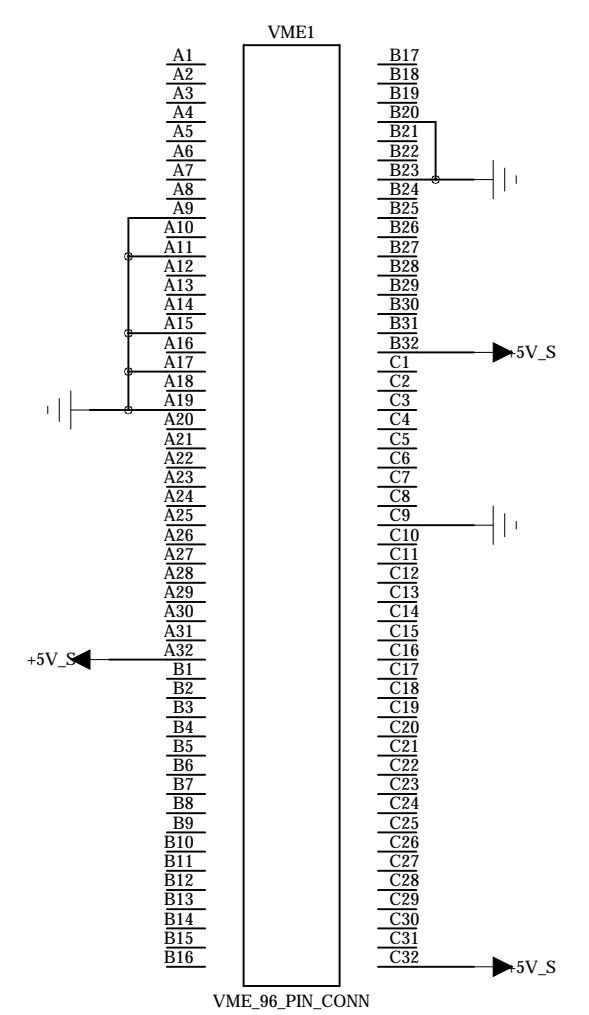
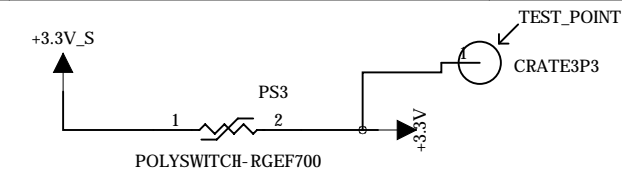
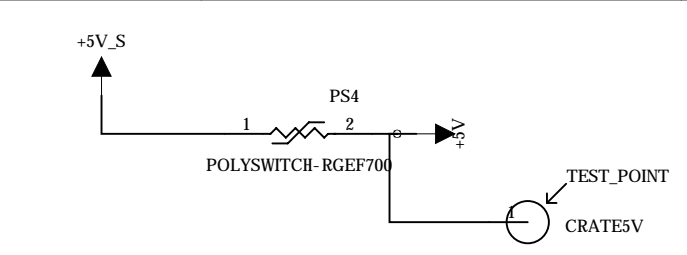
C

B

B

A

A



institution:	University of Hawaii at Manoa High Energy Physics Lab Instrumentation Development Lab
title:	KLM TX 9U Motherboard
revision:	B
IDLAB design #:	IDL 14 033
circuit design:	XS MZA GSV
PCB design:	XS MZA GSV
sheet #:	
sheet description:	
date last modified:	2014-09-14

E

E

D

D

C

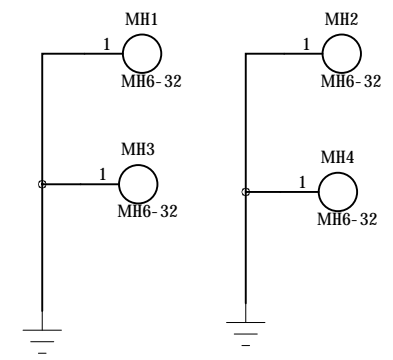
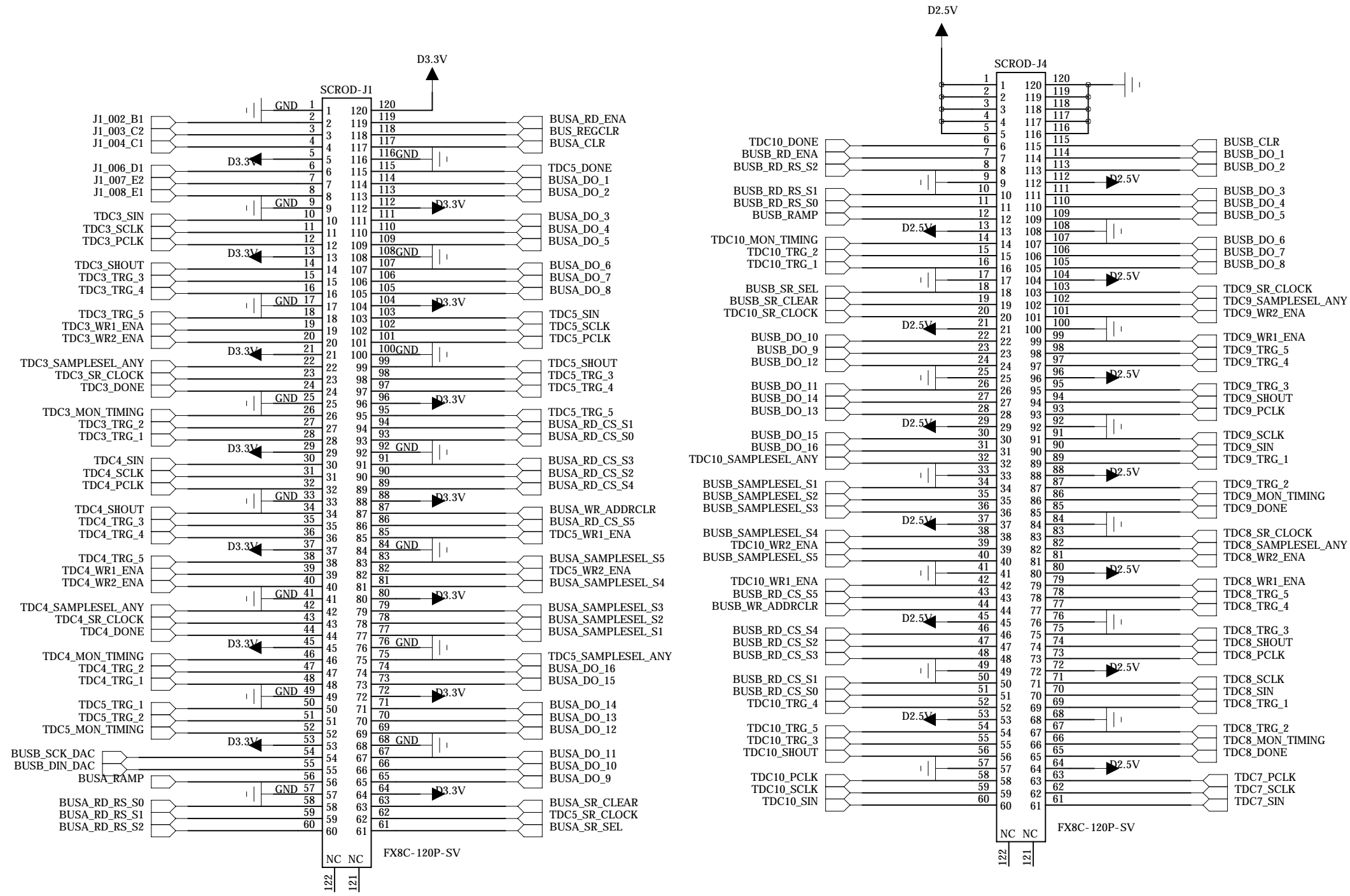
C

B

B

A

A



institution:	University of Hawaii at Manoa High Energy Physics Lab Instrumentation Development Lab
title:	KLM TX 9U Motherboard
revision:	B
IDLAB design #:	IDL 14 033
circuit design:	XS MZA GSV
PCB design:	XS MZA GSV
sheet #:	
sheet description:	
date last modified:	2014-09-14

E

E

D

D

C

C

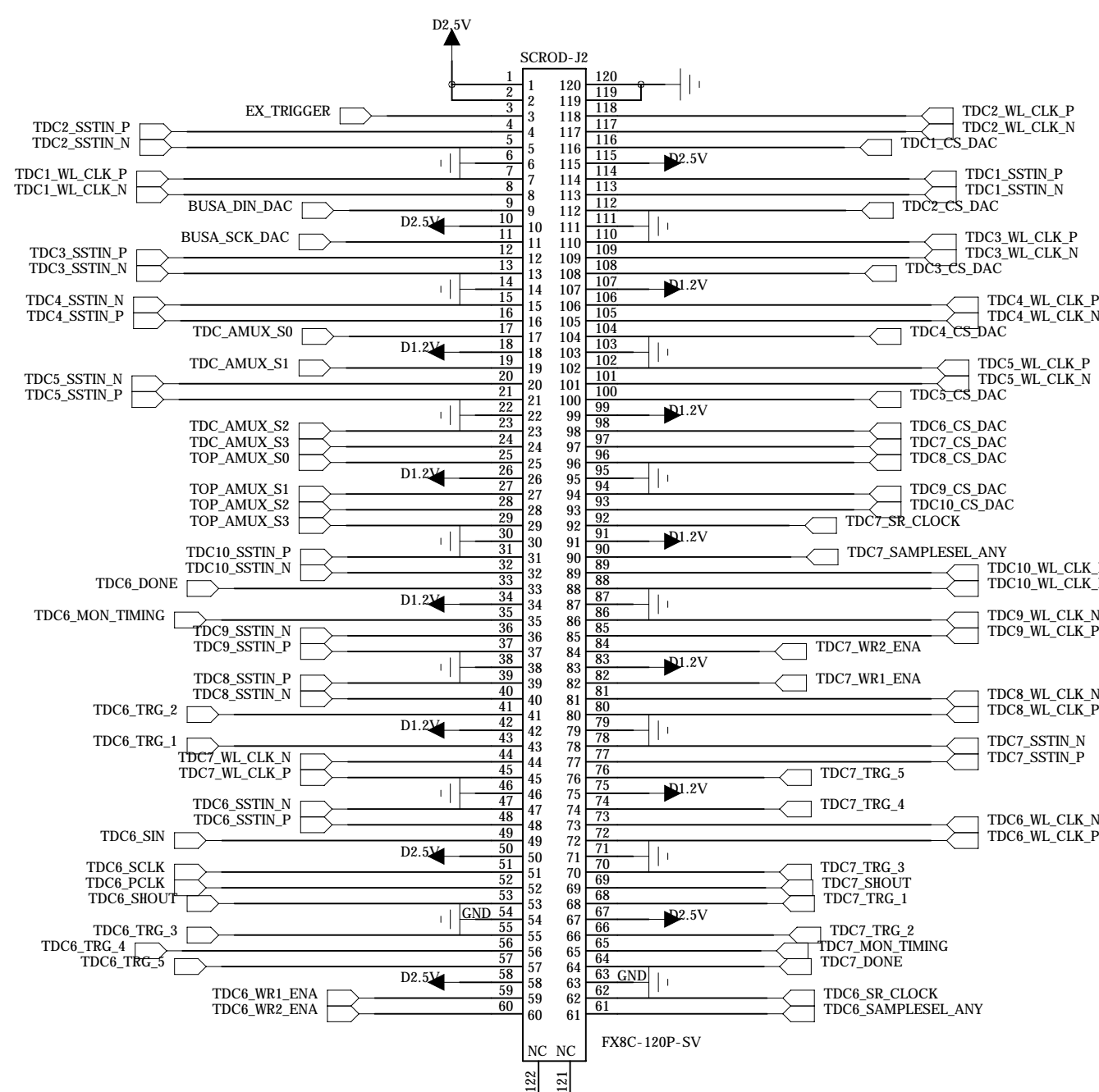
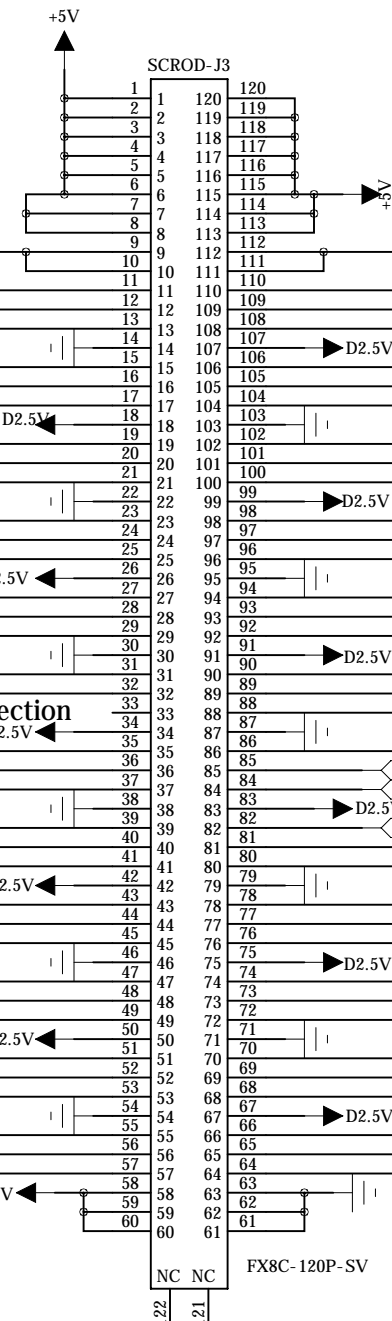
B

B

A

A

Power the SCROD from +5V



only one ADC on the Front Conn Card (RHIC)

pin35~88 are 3.3V from Bank0

institution:	University of Hawaii at Manoa High Energy Physics Lab Instrumentation Development Lab
title:	KLM TX 9U Motherboard
revision:	B
IDLAB design #:	IDL 14 033
circuit design:	XS MZA GSV
PCB design:	XS MZA GSV
sheet #:	
sheet description:	
date last modified:	2014-09-14

6

5

4

3

2

1

E

E

D

D

C

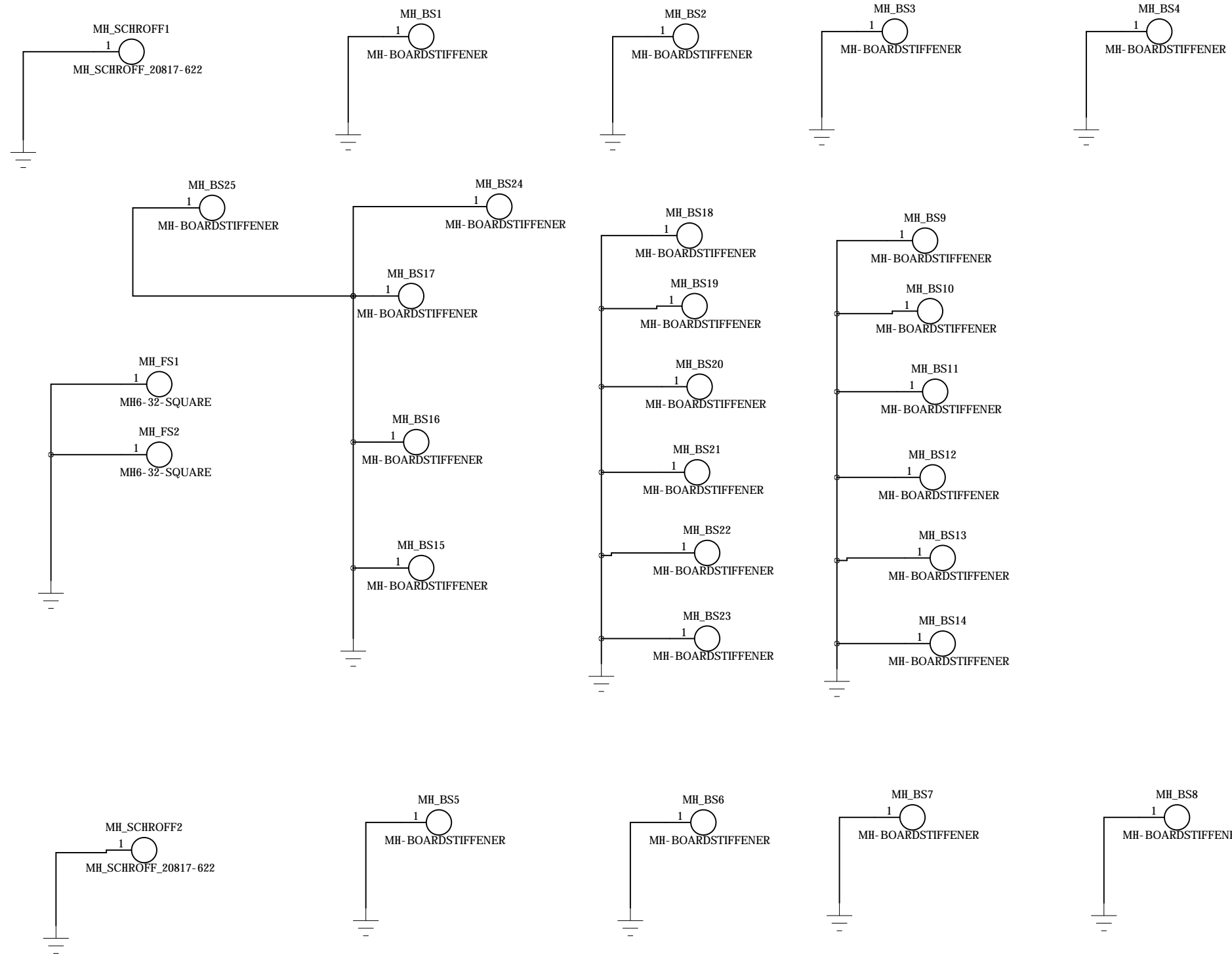
C

B

B

A

A



institution:	University of Hawaii at Manoa High Energy Physics Lab Instrumentation Development Lab
title:	KLM TX 9U Motherboard
revision:	B
IDLAB design #:	IDL_14_033
circuit design:	XS MZA GSV
PCB design:	XS MZA GSV
sheet #:	
sheet description:	
date last modified:	2014-09-14

6

5

4

3

2

1

E

E

D

D

C

C

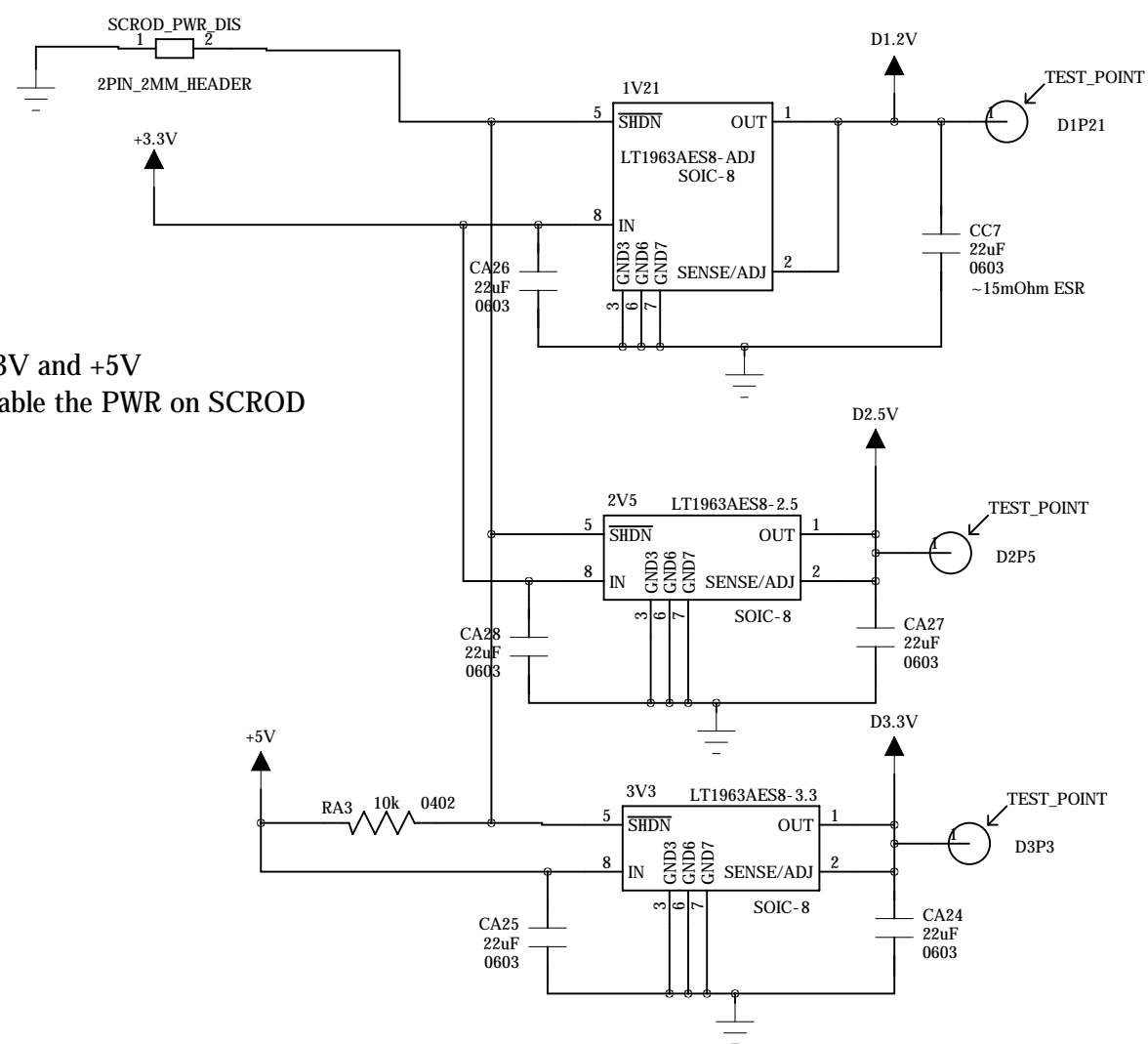
B

B

A

A

CAUTION:
 Power the SCROD from +3.3V and +5V
 If it's used, remember to disable the PWR on SCROD



institution:	University of Hawaii at Manoa High Energy Physics Lab Instrumentation Development Lab
title:	KLM TX 9U Motherboard
revision:	B
IDLAB design #:	IDL_14_033
circuit design:	XS MZA GSV
PCB design:	XS MZA GSV
sheet #:	
sheet description:	
date last modified:	2014-09-14

6

5

4

3

2

1

E

E

D

D

C

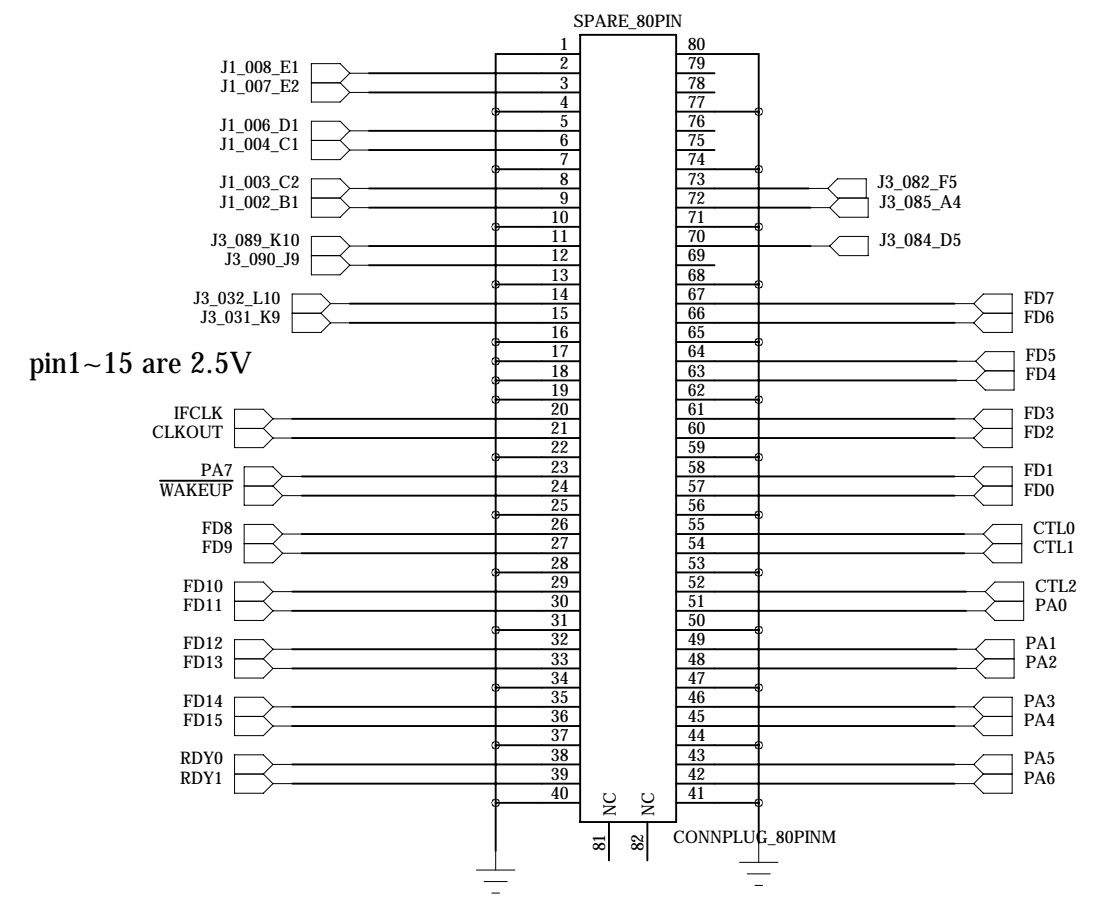
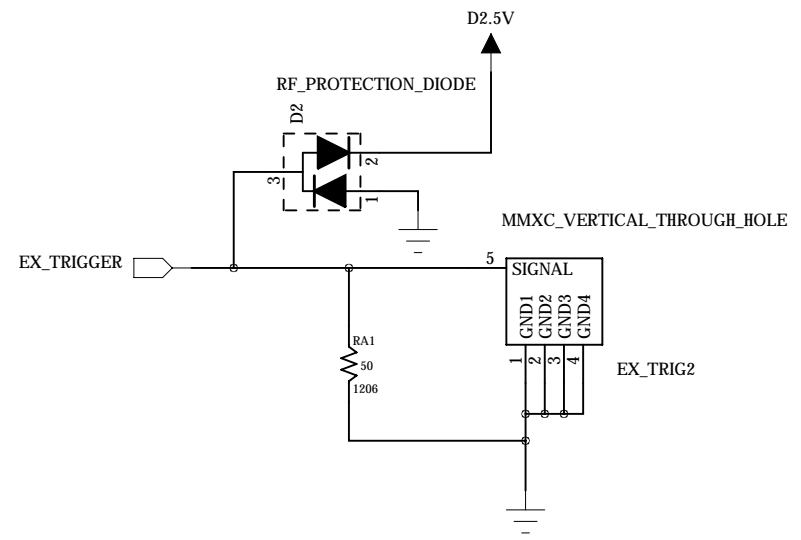
C

B

B

A

A



institution:	University of Hawaii at Manoa High Energy Physics Lab Instrumentation Development Lab
title:	KLM TX 9U Motherboard
revision:	B
IDLAB design #:	IDL 14 033
circuit design:	XS MZA GSV
PCB design:	XS MZA GSV
sheet #:	
sheet description:	
date last modified:	2014-09-14