

6

5

4

3

2

1

E

E

D

D

C

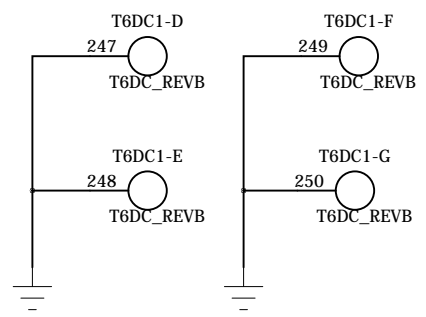
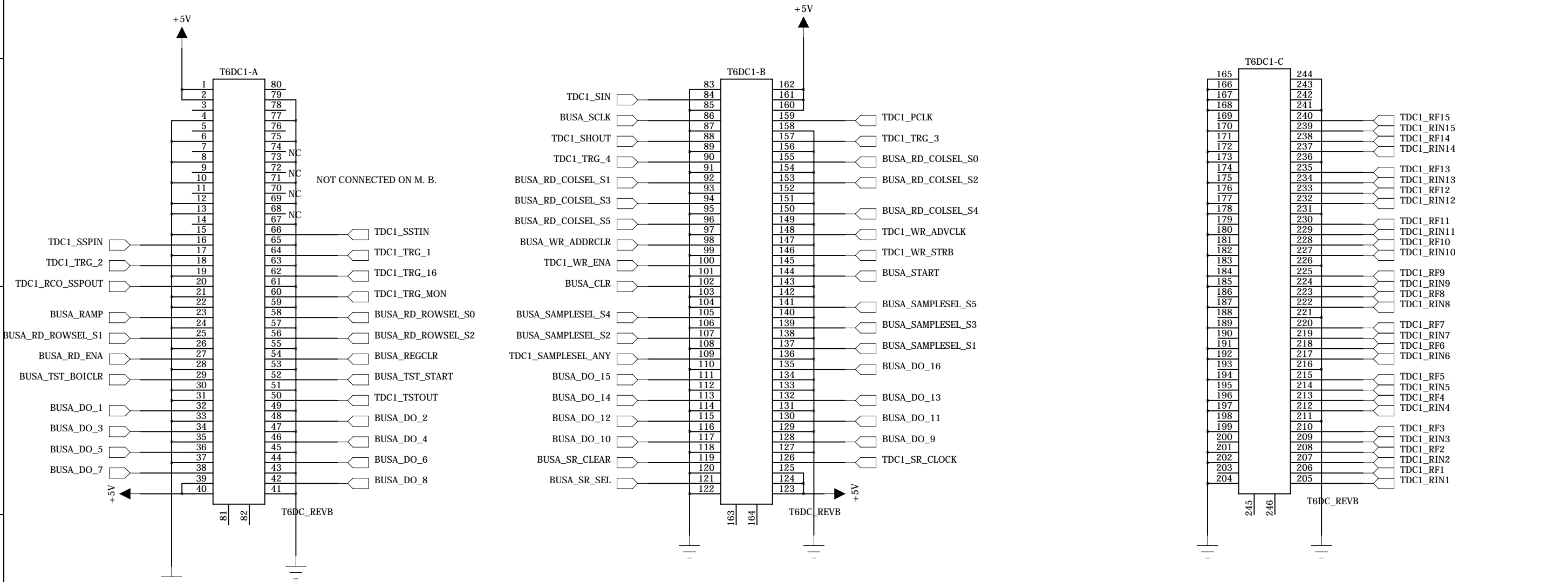
C

B

B

A

A



institution:	University of Hawaii at Manoa High Energy Physics Lab Instrumentation Development Lab
title:	KLM T6 9U Motherboard
revision:	A
IDLAB design #:	IDL 13 030
circuit design:	XS MZA GSV
PCB design:	XS MZA GSV
sheet #:	
sheet description:	
date last modified:	Sept-4-2013

E

E

D

D

C

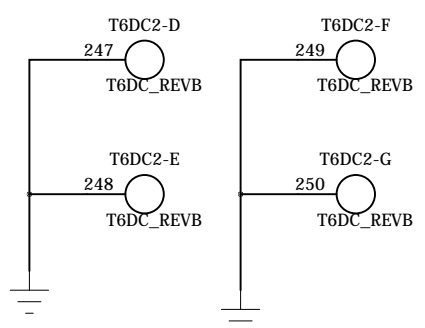
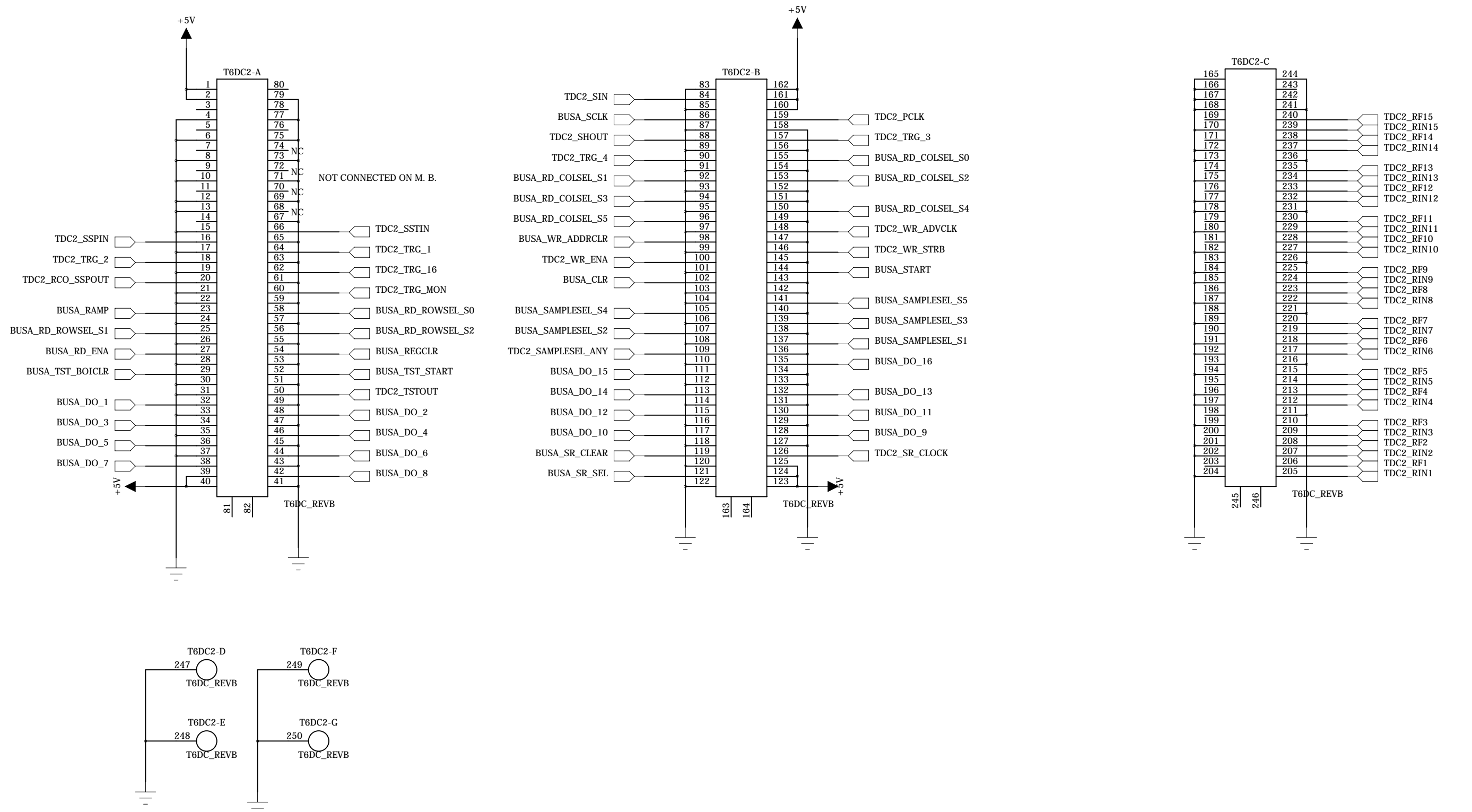
C

B

B

A

A



institution:	University of Hawaii at Manoa High Energy Physics Lab Instrumentation Development Lab
title:	KLM T6 9U Motherboard
revision:	A
IDLAB design #:	IDL 13_030
circuit design:	XS MZA GSV
PCB design:	XS MZA GSV
sheet #:	
sheet description:	
date last modified:	Sept-4-2013

E

E

D

D

C

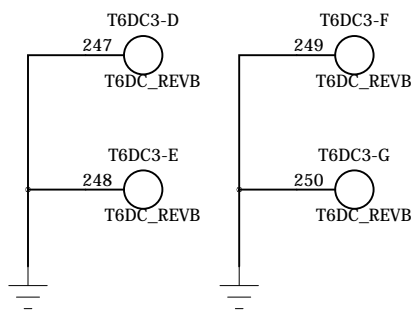
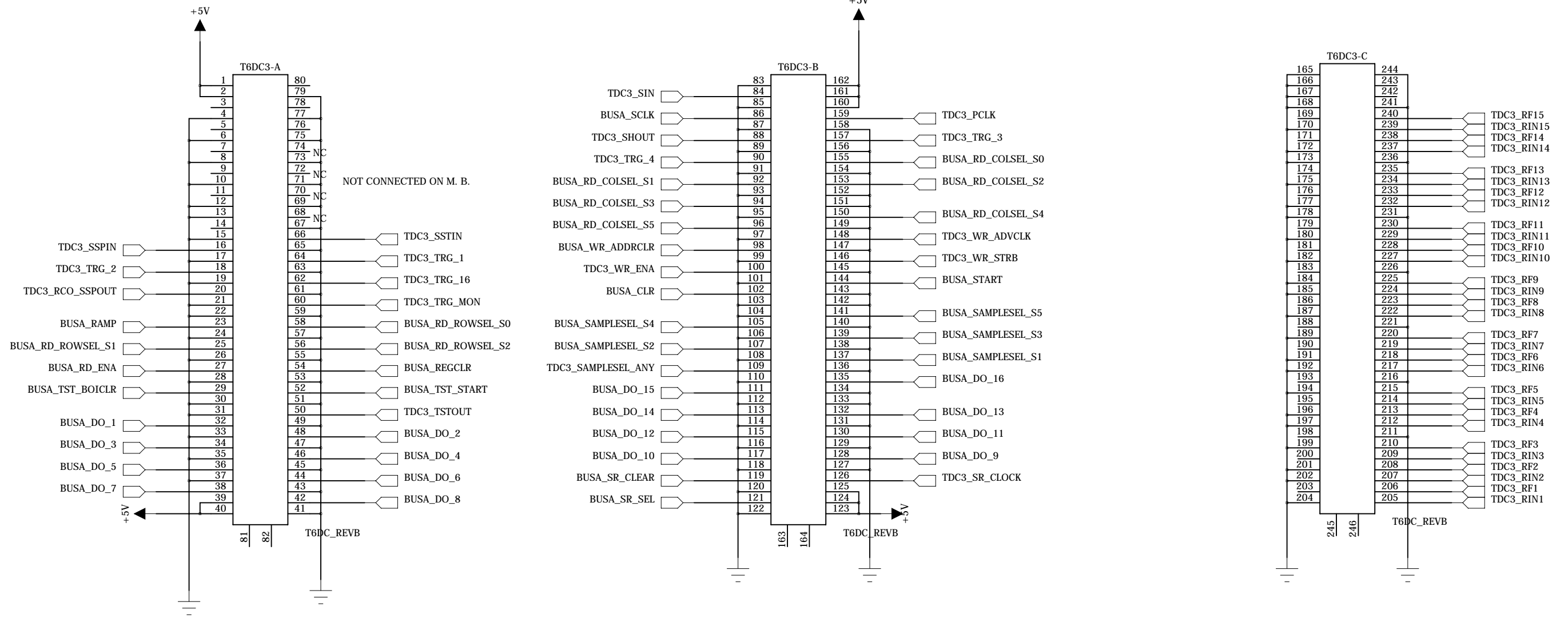
C

B

B

A

A



institution:	University of Hawaii at Manoa High Energy Physics Lab Instrumentation Development Lab
title:	KLM T6 9U Motherboard
revision:	A
IDLAB design #:	IDL 13 030
circuit design:	XS MZA GSV
PCB design:	XS MZA GSV
sheet #:	
sheet description:	
date last modified:	Sept-4-2013

6

5

4

3

2

1

E

E

D

D

C

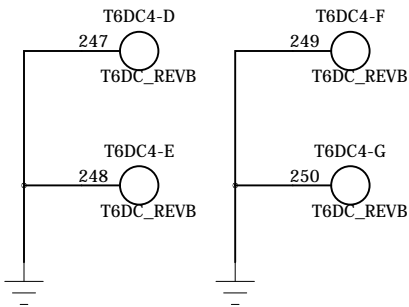
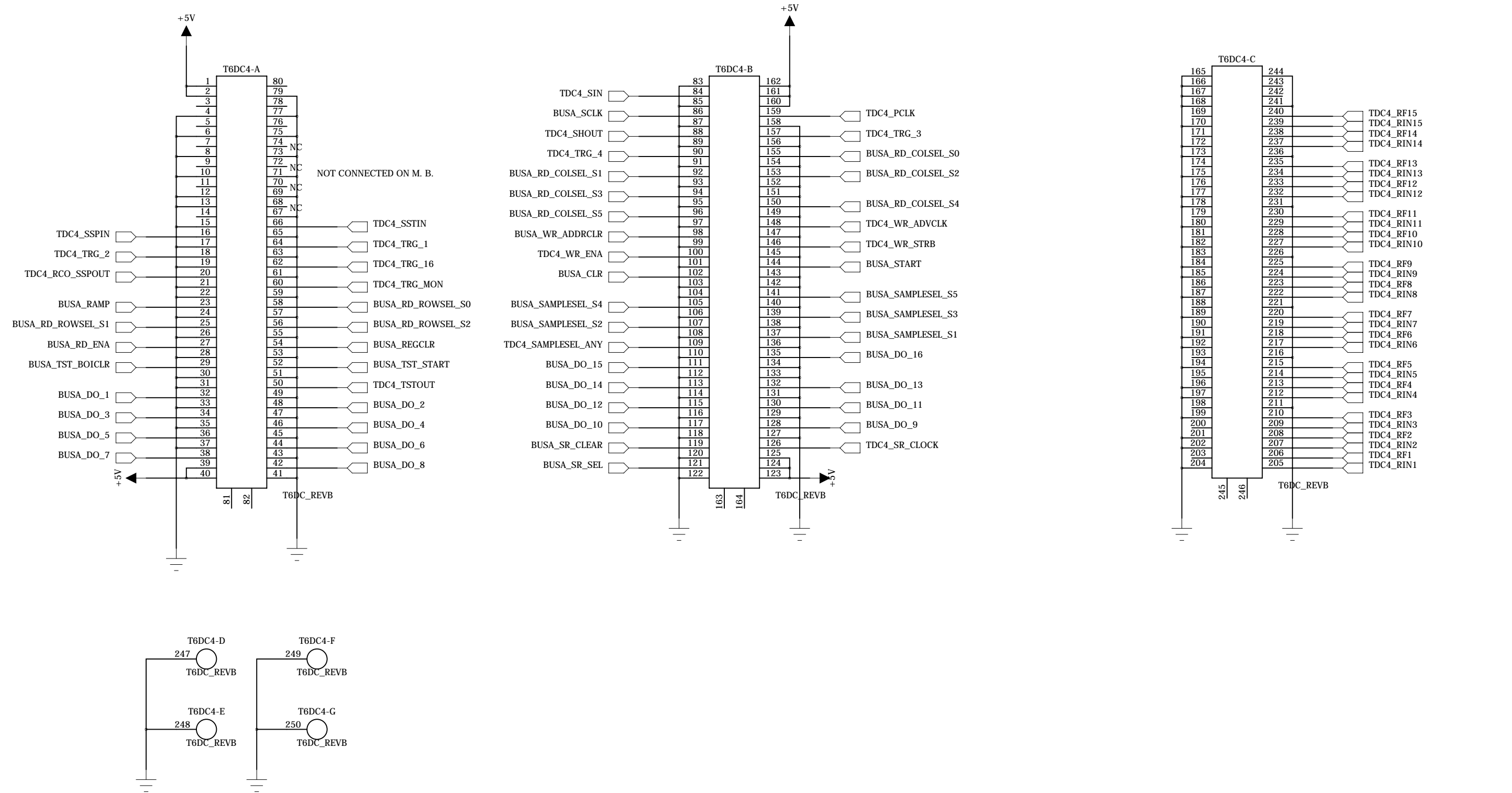
C

B

B

A

A



institution:	University of Hawaii at Manoa High Energy Physics Lab Instrumentation Development Lab
title:	KLM T6 9U Motherboard
revision:	A
IDLAB design #:	IDL 13 030
circuit design:	XS MZA GSV
PCB design:	XS MZA GSV
sheet #:	
sheet description:	
date last modified:	Sept-4-2013

6

5

4

3

2

1

E

E

D

D

C

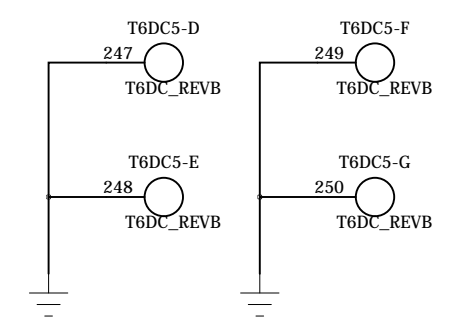
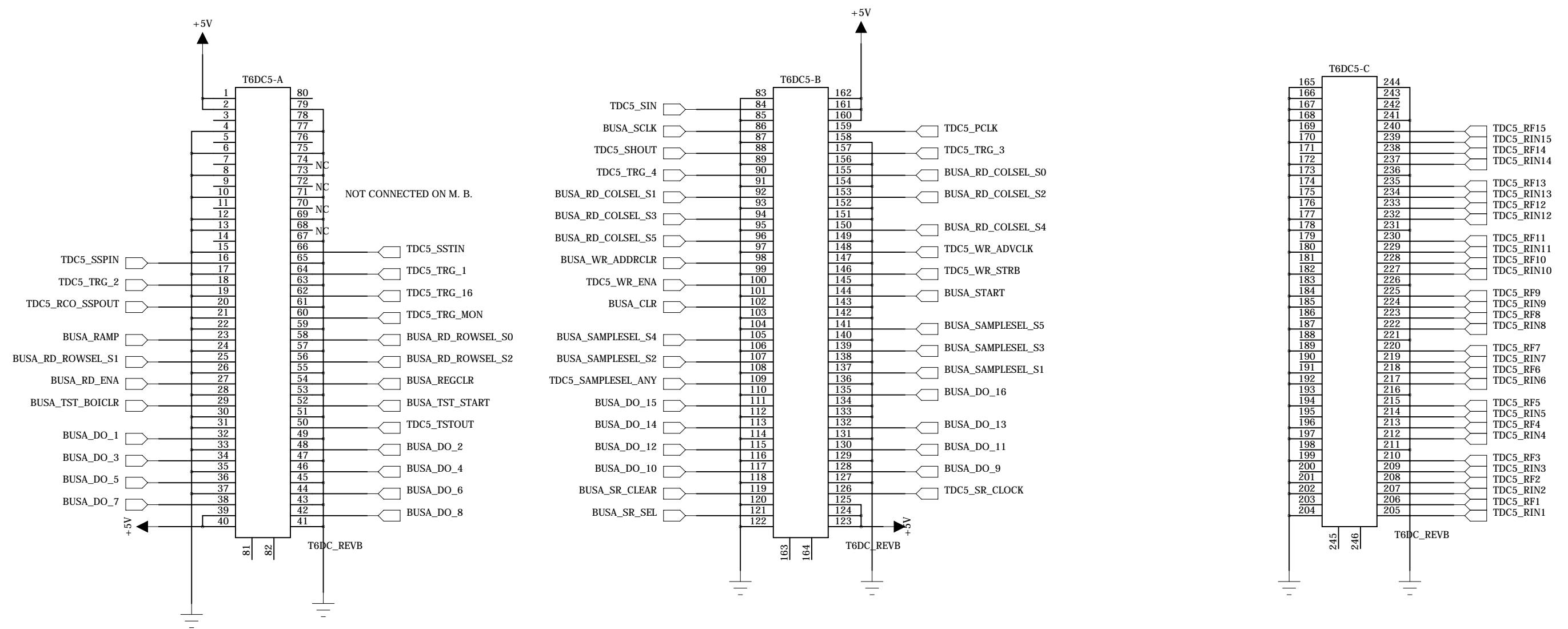
C

B

B

A

A



institution:	University of Hawaii at Manoa High Energy Physics Lab Instrumentation Development Lab
title:	KLM T6 9U Motherboard
revision:	A
IDLAB design #:	IDL 13_030
circuit design:	XS MZA GSV
PCB design:	XS MZA GSV
sheet #:	
sheet description:	
date last modified:	Sept-4-2013

6

5

4

3

2

1

E

E

D

D

C

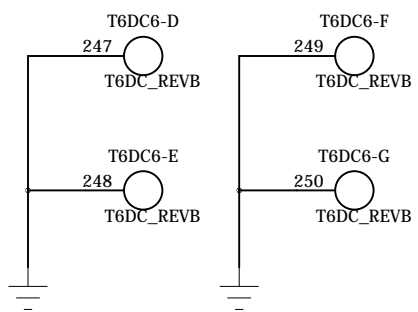
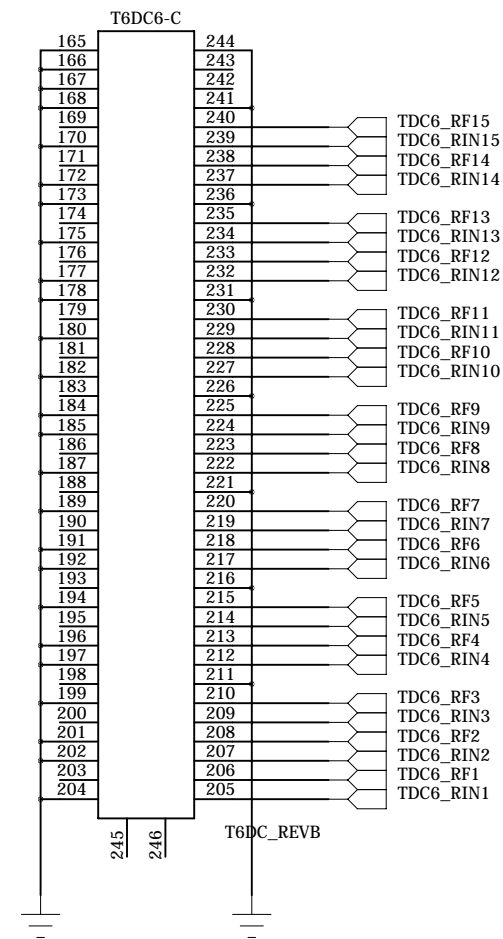
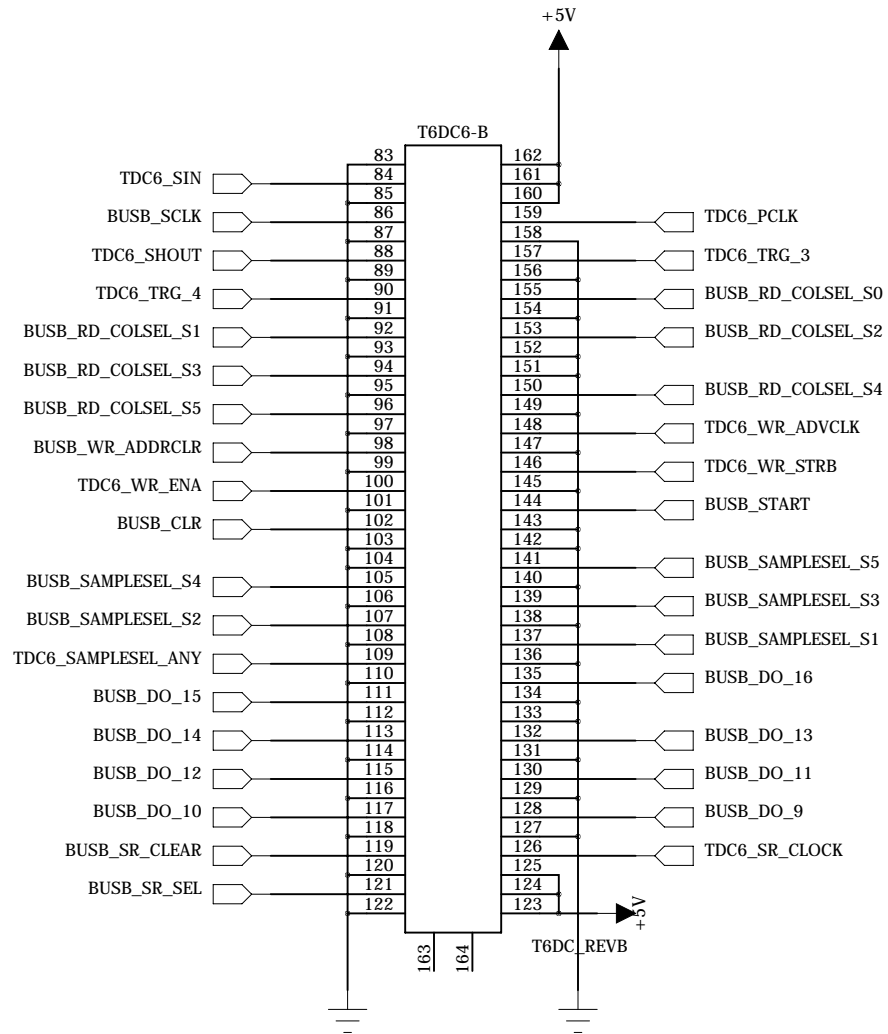
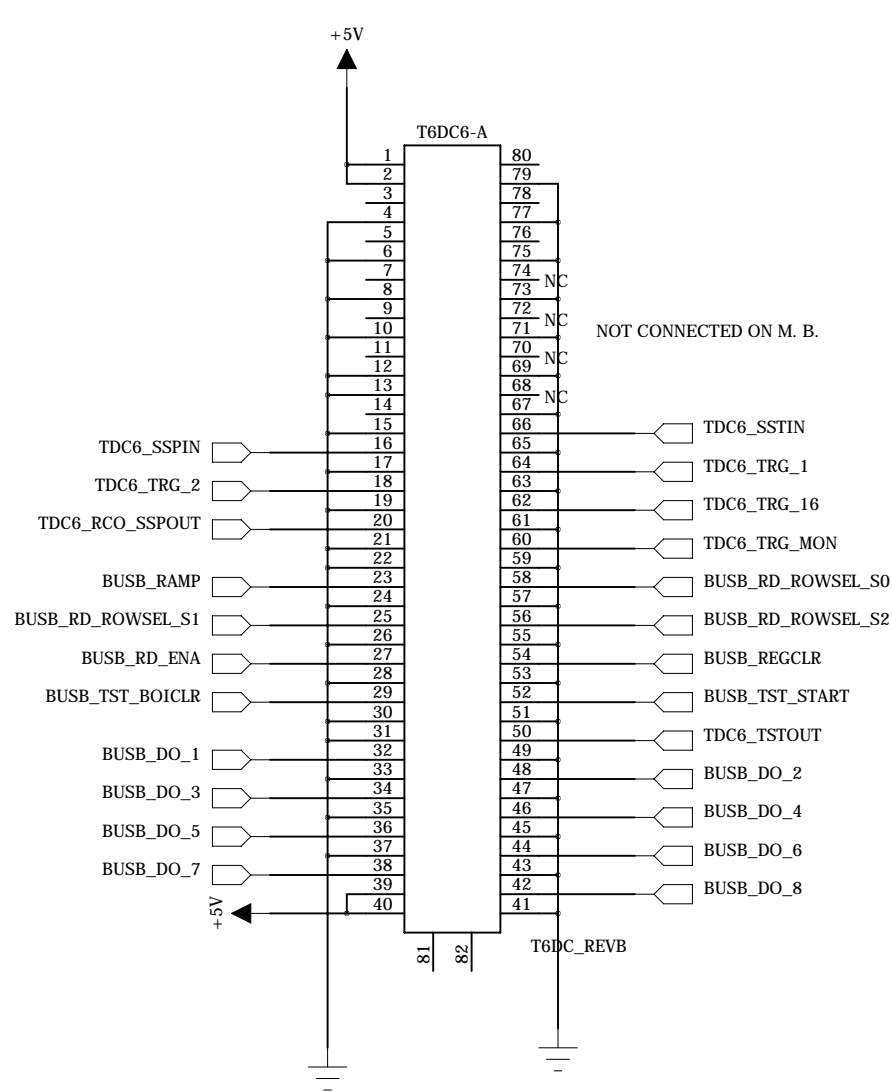
C

B

B

A

A



institution:	University of Hawaii at Manoa High Energy Physics Lab Instrumentation Development Lab
title:	KLM T6 9U Motherboard
revision:	A
IDLAB design #:	IDL 13_030
circuit design:	XS MZA GSV
PCB design:	XS MZA GSV
sheet #:	
sheet description:	
date last modified:	Sept-4-2013

6

5

4

3

2

1

E

E

D

D

C

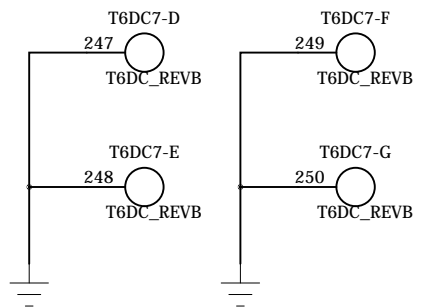
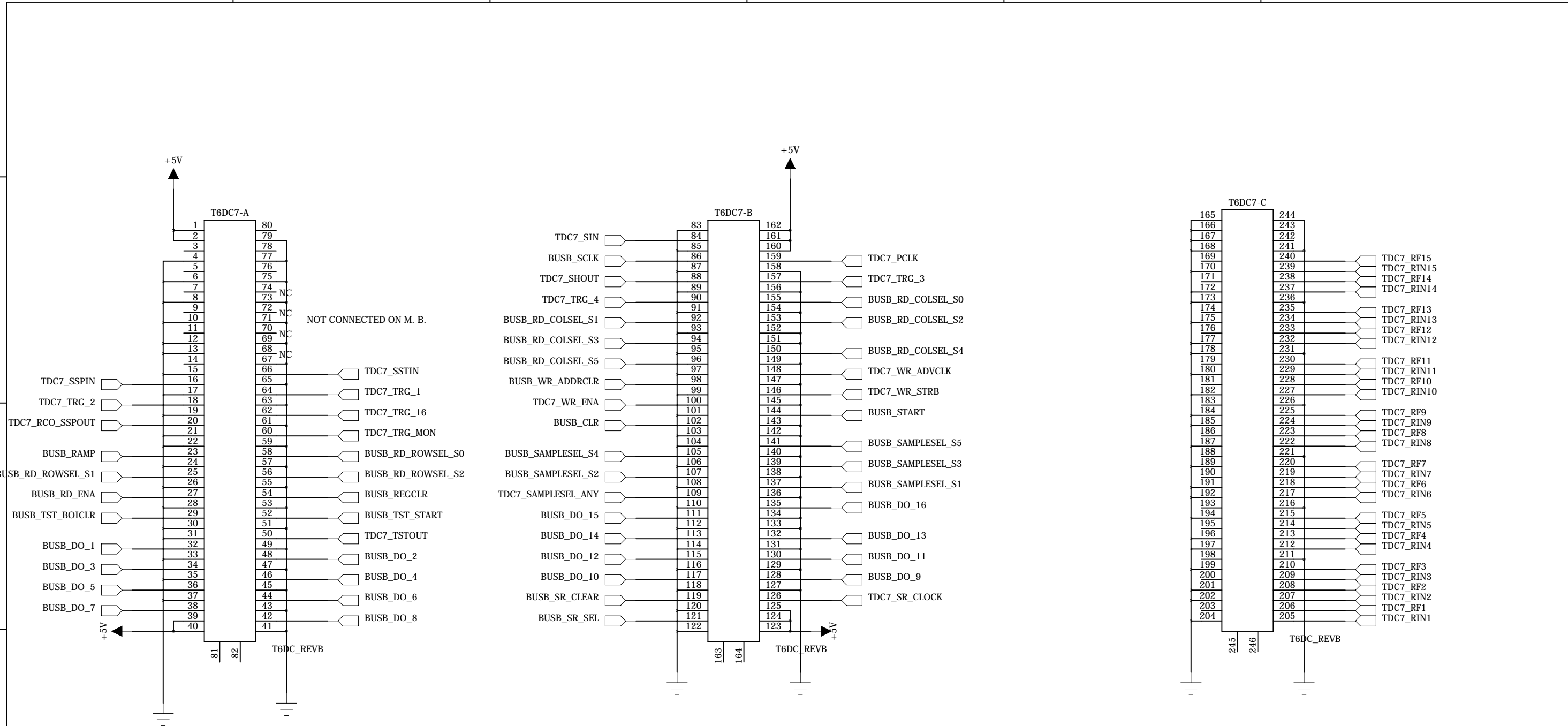
C

B

B

A

A



institution:	University of Hawaii at Manoa High Energy Physics Lab Instrumentation Development Lab
title:	KLM T6 9U Motherboard
revision:	A
IDLAB design #:	IDL 13 030
circuit design:	XS MZA GSV
PCB design:	XS MZA GSV
sheet #:	
sheet description:	
date last modified:	Sept-4-2013

6

5

4

3

2

1

E

E

D

D

C

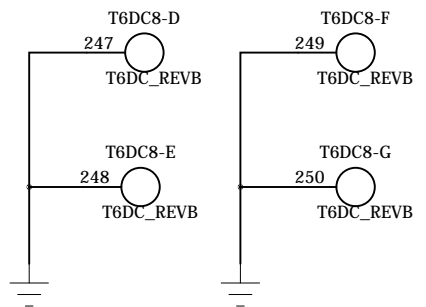
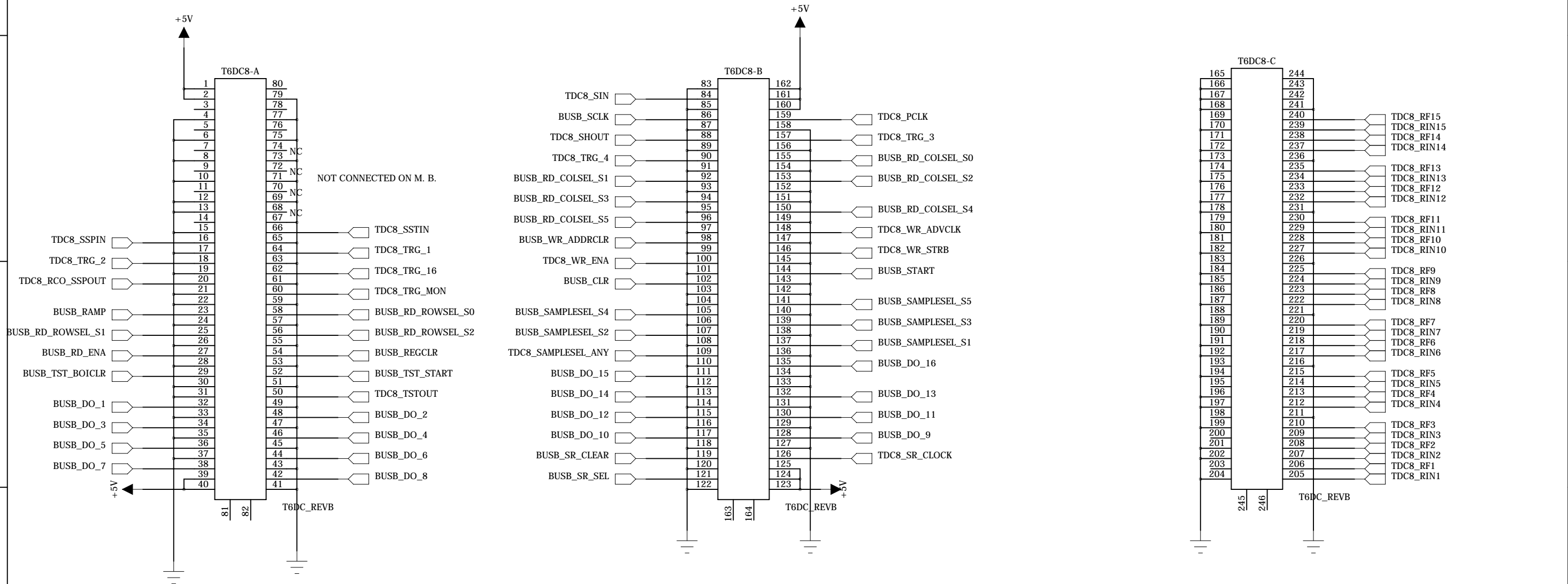
C

B

B

A

A



institution:	University of Hawaii at Manoa High Energy Physics Lab Instrumentation Development Lab
title:	KLM T6 9U Motherboard
revision:	A
IDLAB design #:	IDL_13_030
circuit design:	XS MZA GSV
PCB design:	XS MZA GSV
sheet #:	
sheet description:	
date last modified:	Sept-4-2013

6

5

4

3

2

1

E

E

D

D

C

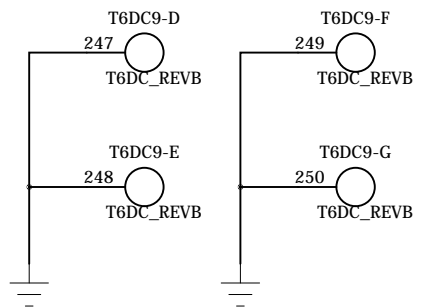
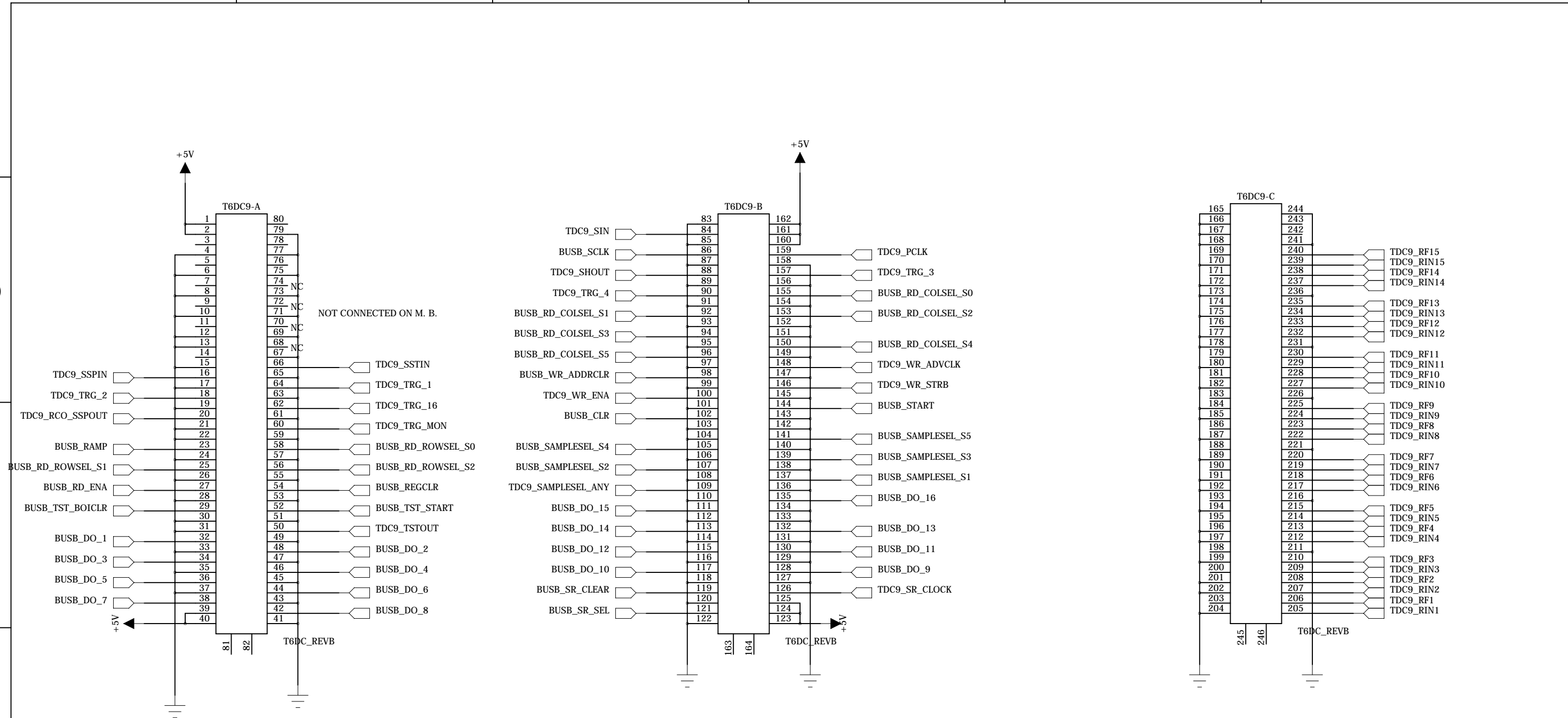
C

B

B

A

A



institution:	University of Hawaii at Manoa High Energy Physics Lab Instrumentation Development Lab
title:	KLM T6 9U Motherboard
revision:	A
IDLAB design #:	IDL 13 030
circuit design:	XS MZA GSV
PCB design:	XS MZA GSV
sheet #:	
sheet description:	
date last modified:	Sept-4-2013

6

5

4

3

2

1

E

E

D

D

C

C

B

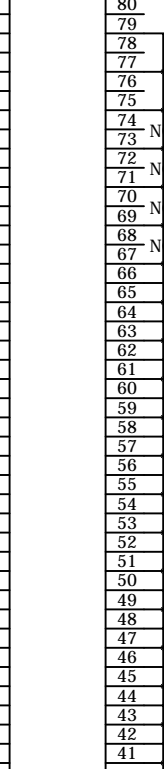
B

A

A

+5V

T6DC10-A



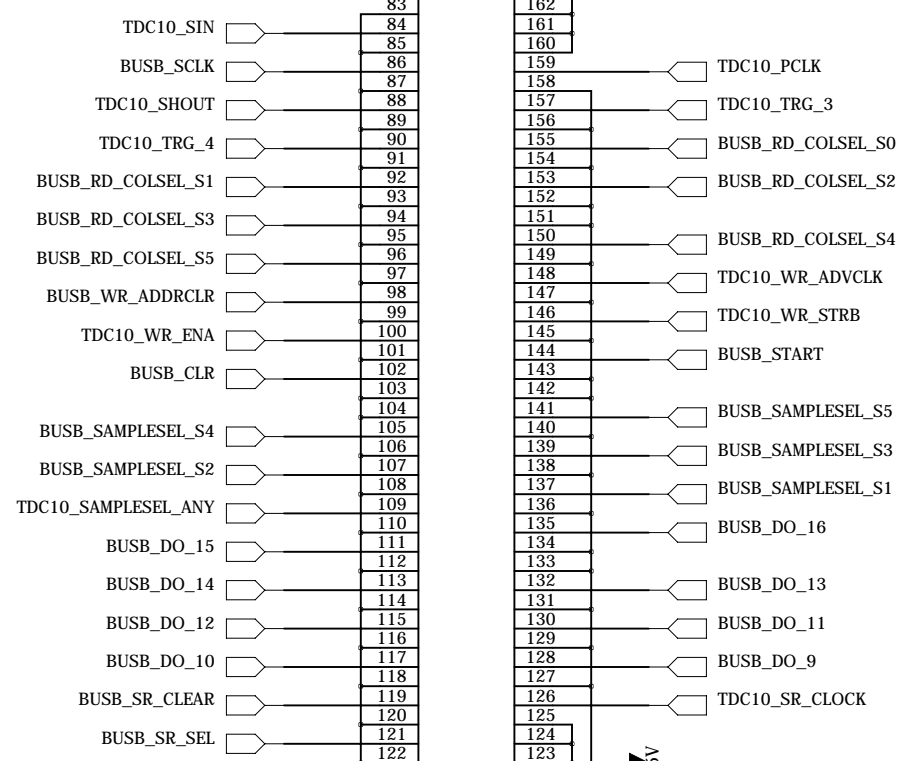
NOT CONNECTED ON M. B.

+5V

81 82 T6DC_REVB

+5V

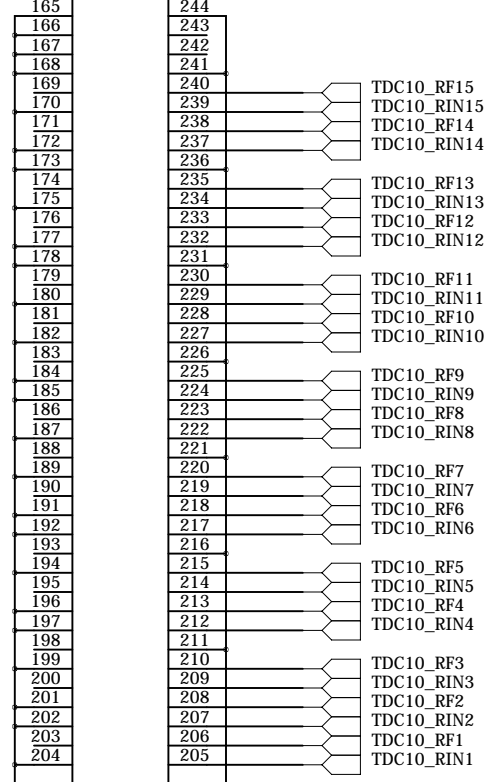
T6DC10-B



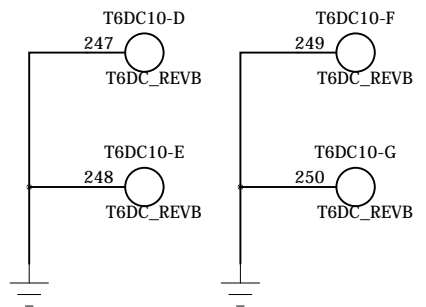
+5V

163 164 T6DC_REVB

T6DC10-C



T6DC_REVB



institution:	University of Hawaii at Manoa High Energy Physics Lab Instrumentation Development Lab
title:	KLM T6 9U Motherboard
revision:	A
IDLAB design #:	IDL_13_030
circuit design:	XS MZA GSV
PCB design:	XS MZA GSV
sheet #:	
sheet description:	
date last modified:	Sept-4-2013

6

5

4

3

2

1

E

E

D

D

C

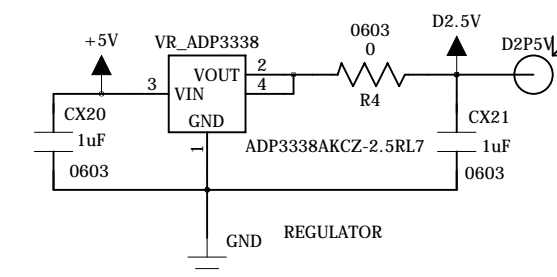
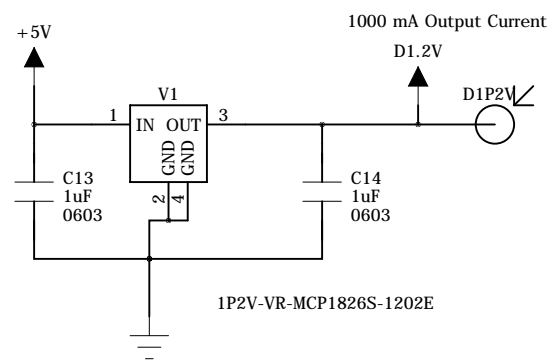
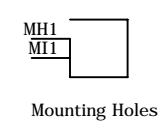
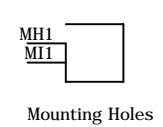
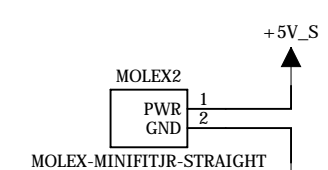
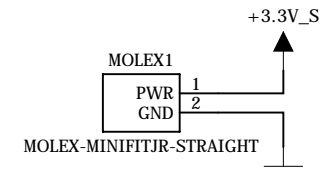
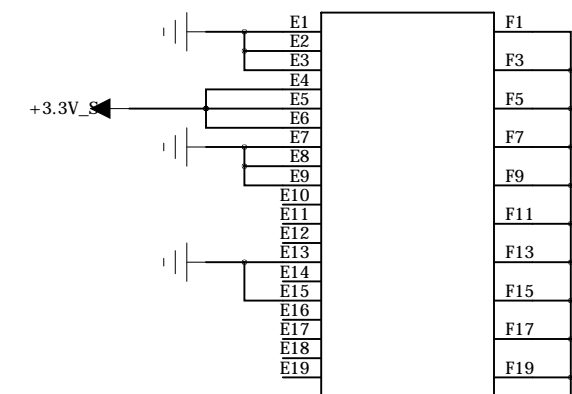
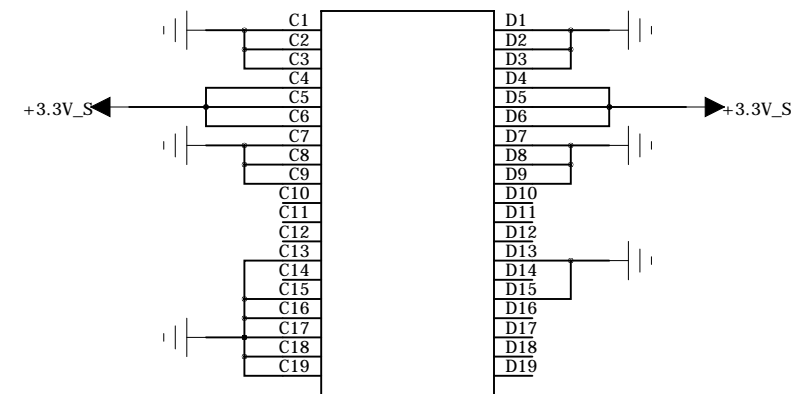
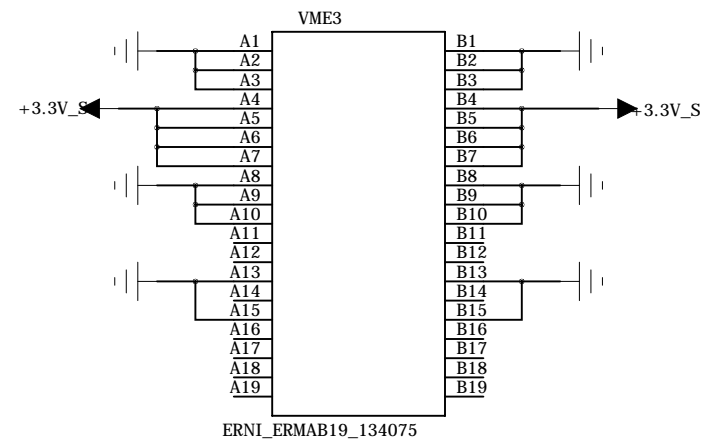
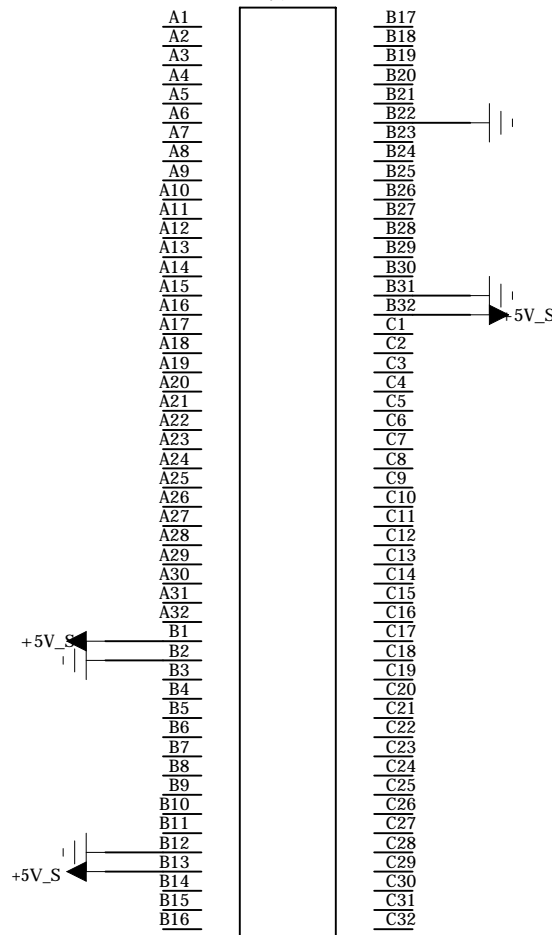
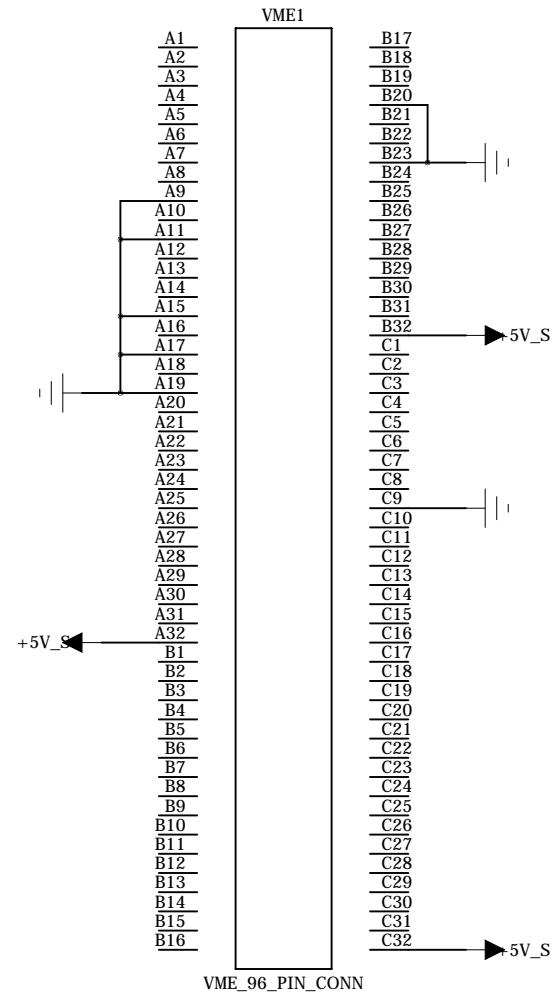
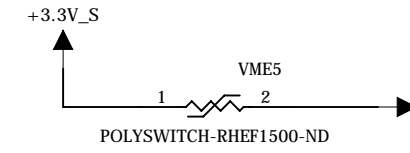
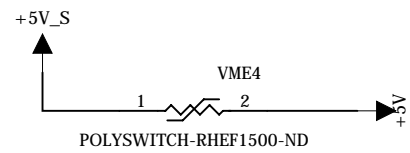
C

B

B

A

A



institution:	University of Hawaii at Manoa High Energy Physics Lab Instrumentation Development Lab
title:	KLM T6 9U Motherboard
revision:	A
IDLAB design #:	IDL 13 030
circuit design:	XS MZA GSV
PCB design:	XS MZA GSV
sheet #:	
sheet description:	
date last modified:	Sept-4-2013

E

E

D

D

C

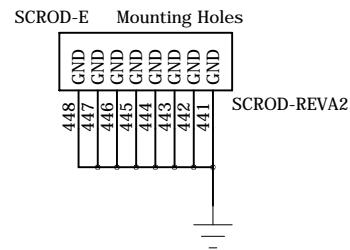
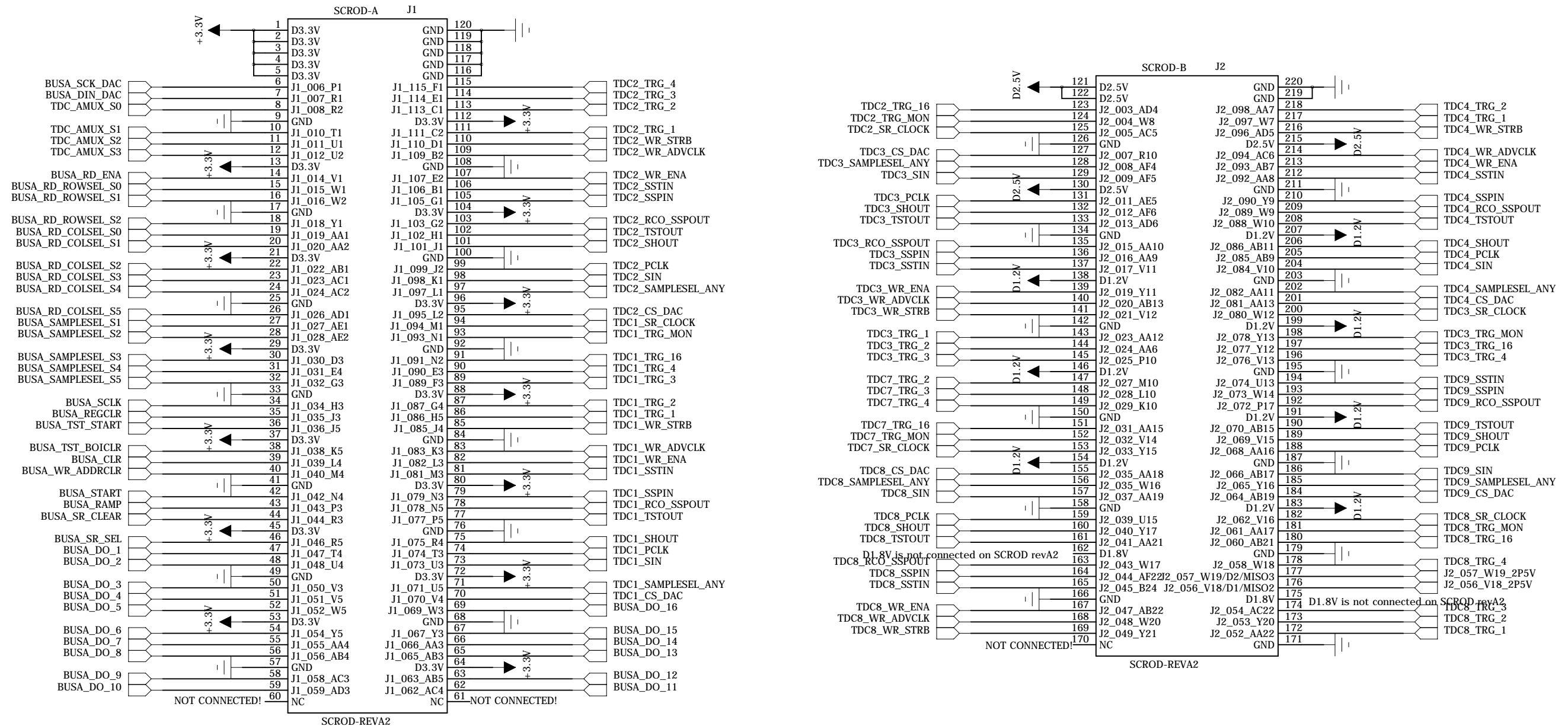
C

B

B

A

A



institution:	University of Hawaii at Manoa High Energy Physics Lab Instrumentation Development Lab
title:	KLM T6 9U Motherboard
revision:	A
IDLAB design #:	IDL 13 030
circuit design:	XS MZA GSV
PCB design:	XS MZA GSV
sheet #:	
sheet description:	
date last modified:	Sept-4-2013

E

E

D

D

C

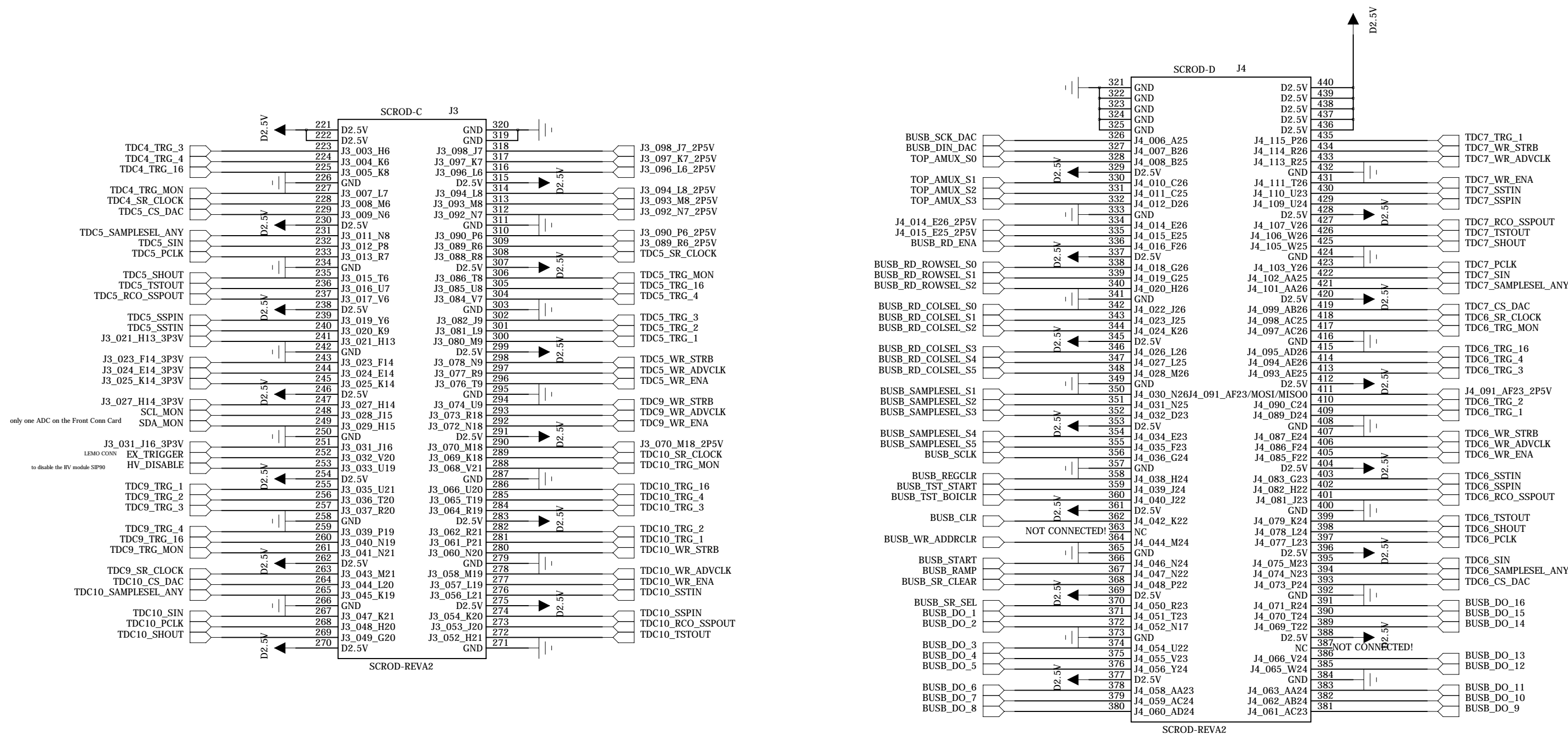
C

B

B

A

A



institution:	University of Hawaii at Manoa High Energy Physics Lab Instrumentation Development Lab
title:	KLM T6 9U Motherboard
revision:	A
IDLAB design #:	IDL 13 030
circuit design:	XS MZA GSV
PCB design:	XS MZA GSV
sheet #:	
sheet description:	
date last modified:	Sept-4-2013

6

5

4

3

2

1

E

E

D

D

C

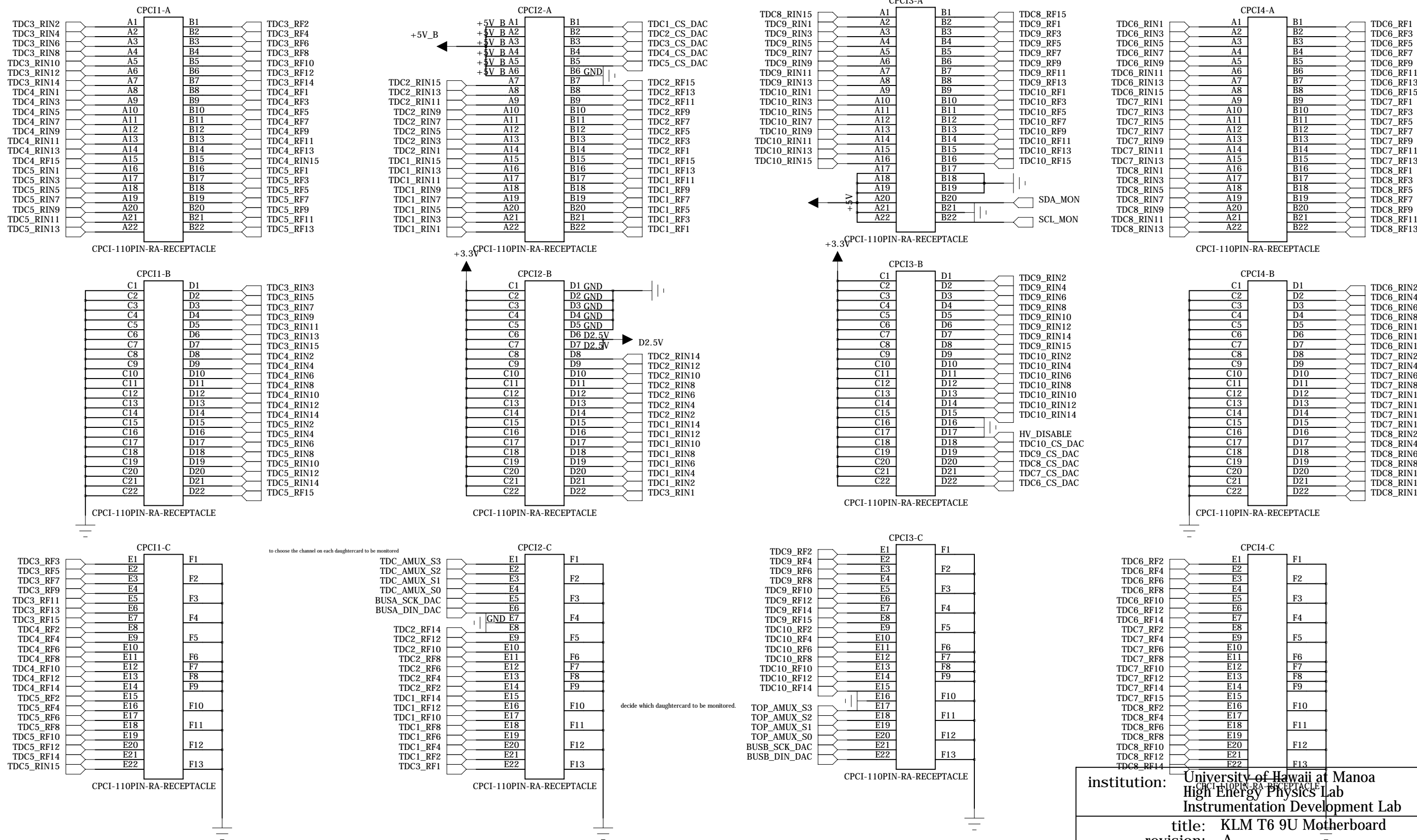
C

B

B

A

A



institution: University of Hawaii at Manoa
 High Energy Physics Lab
 Instrumentation Development Lab

title: KLM T6 9U Motherboard
 revision: A
 IDLAB design #: IDL 13 030
 circuit design: XS MZA GSV
 PCB design: XS MZA GSV

sheet #:
 sheet description:
 date last modified: Sept-4-2013

6

5

4

3

2

1

E

E

D

D

C

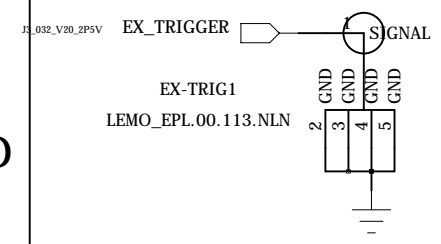
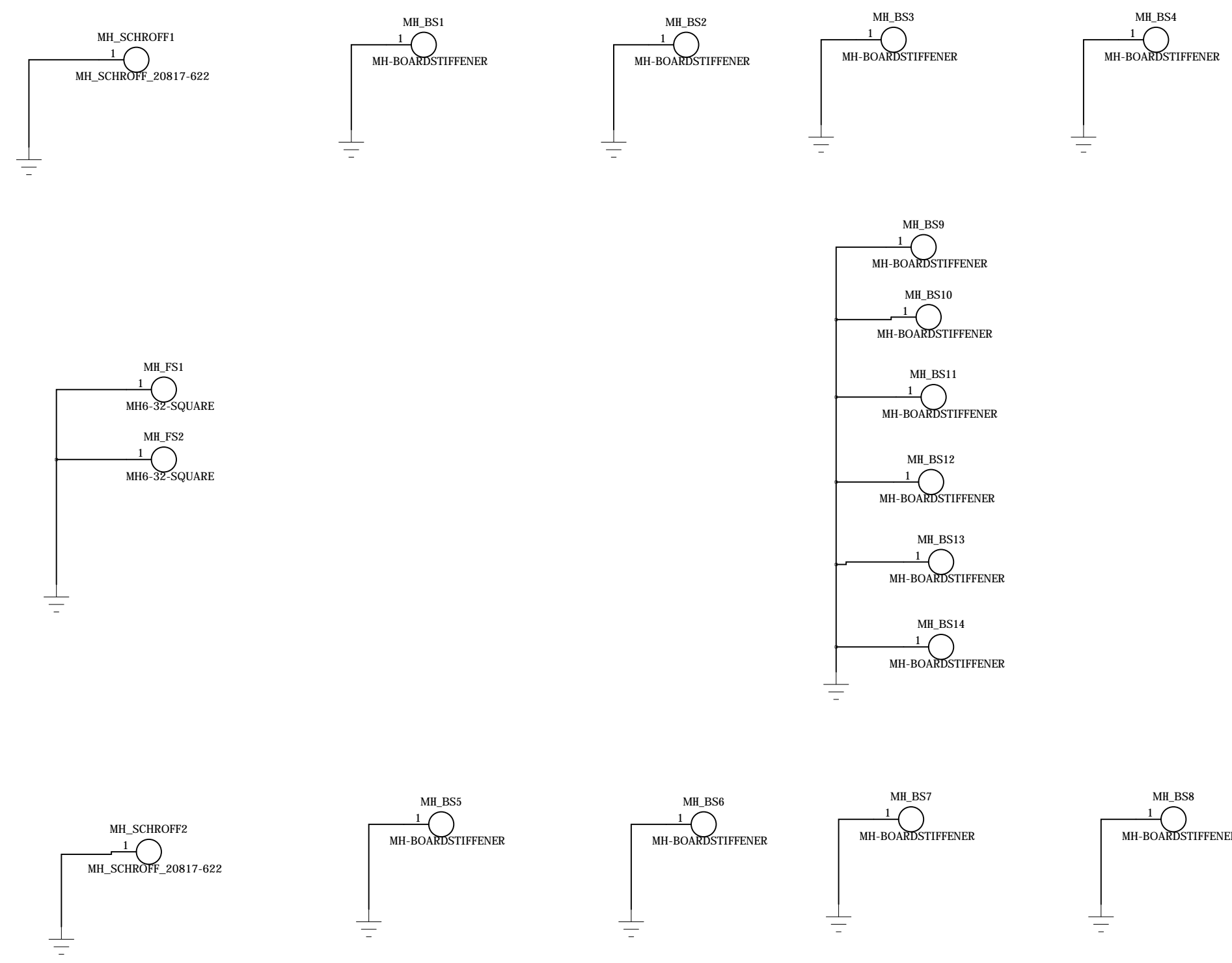
C

B

B

A

A



institution:	University of Hawaii at Manoa High Energy Physics Lab Instrumentation Development Lab
title:	KLM T6 9U Motherboard
revision:	A
IDLAB design #:	IDL_13_030
circuit design:	XS MZA GSV
PCB design:	XS MZA GSV
sheet #:	
sheet description:	
date last modified:	Sept-4-2013