

E

E

D

D

C

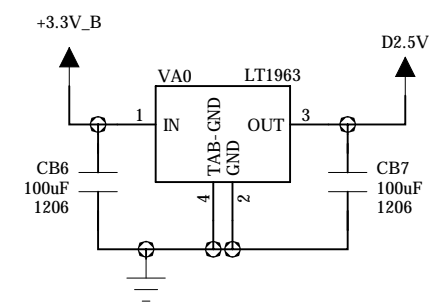
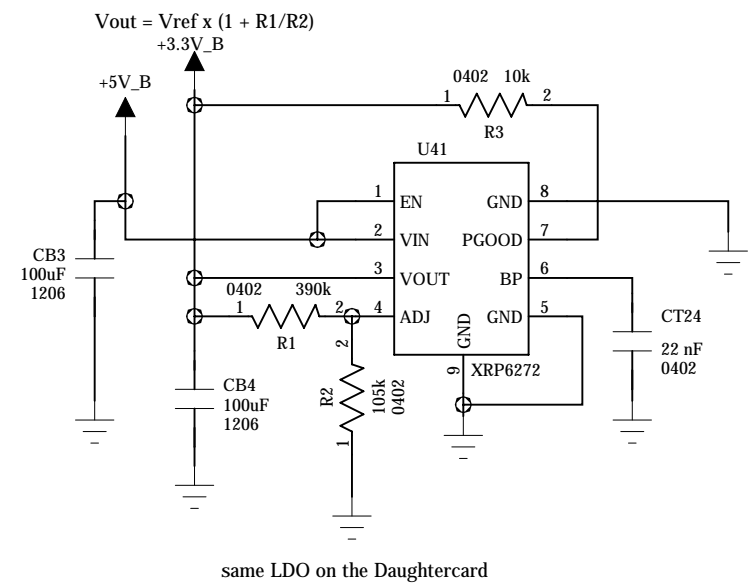
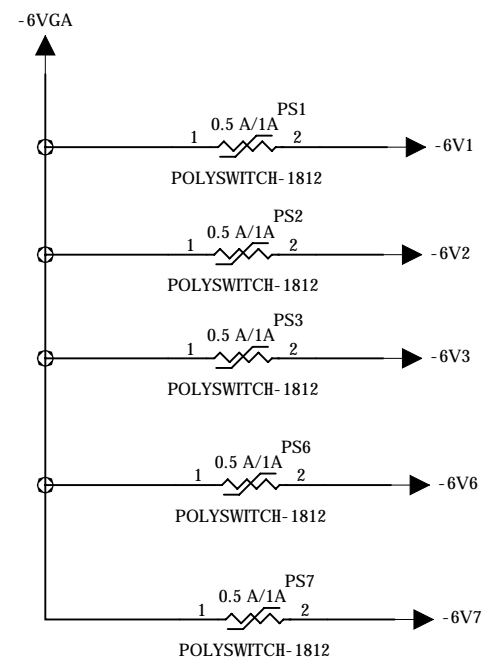
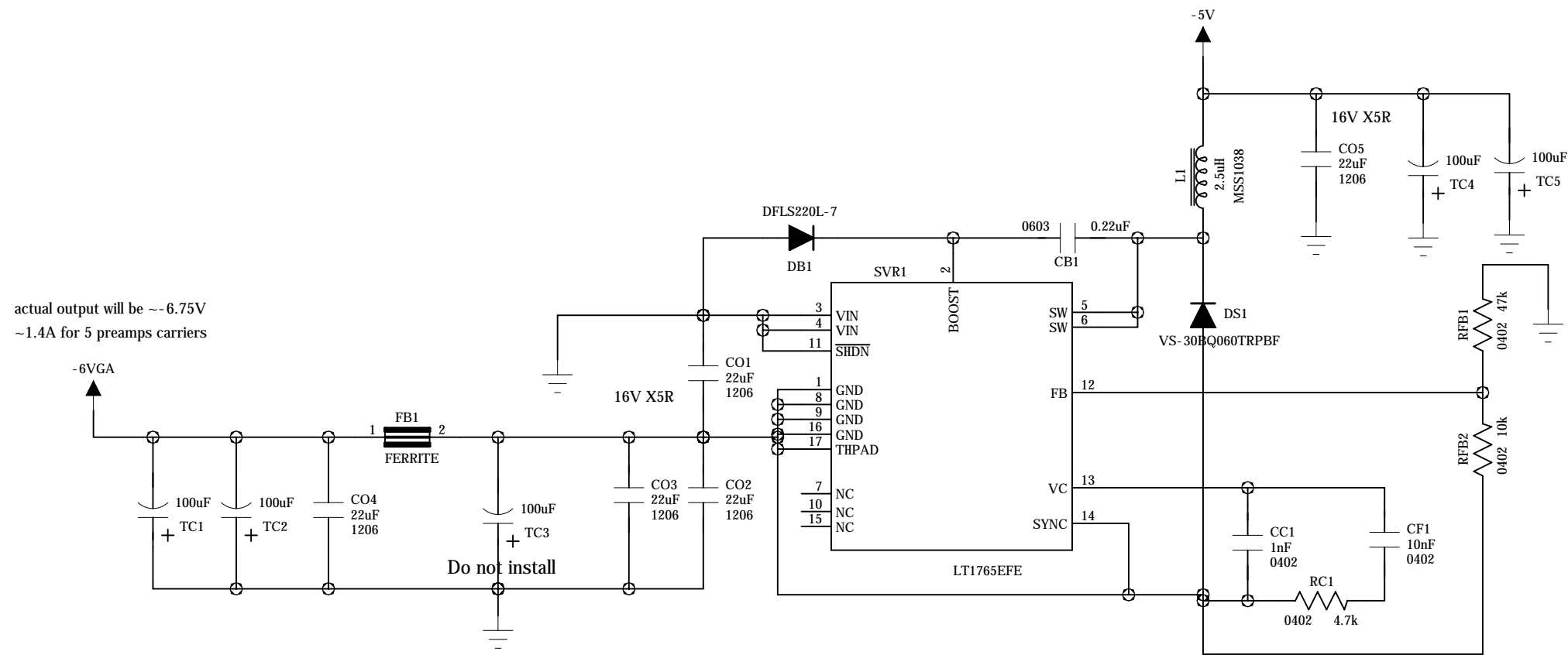
C

B

B

A

A



institution:	University of Hawaii at Manoa High Energy Physics Lab Instrumentation Development Lab
title:	KLM RHIC
revision:	C
IDLAB design #:	IDL_15_004
circuit design:	IDLAB
PCB design:	IDLAB
sheet #:	
sheet description:	
date last modified:	2015-06-16

6

5

4

3

2

1

E

E

D

D

C

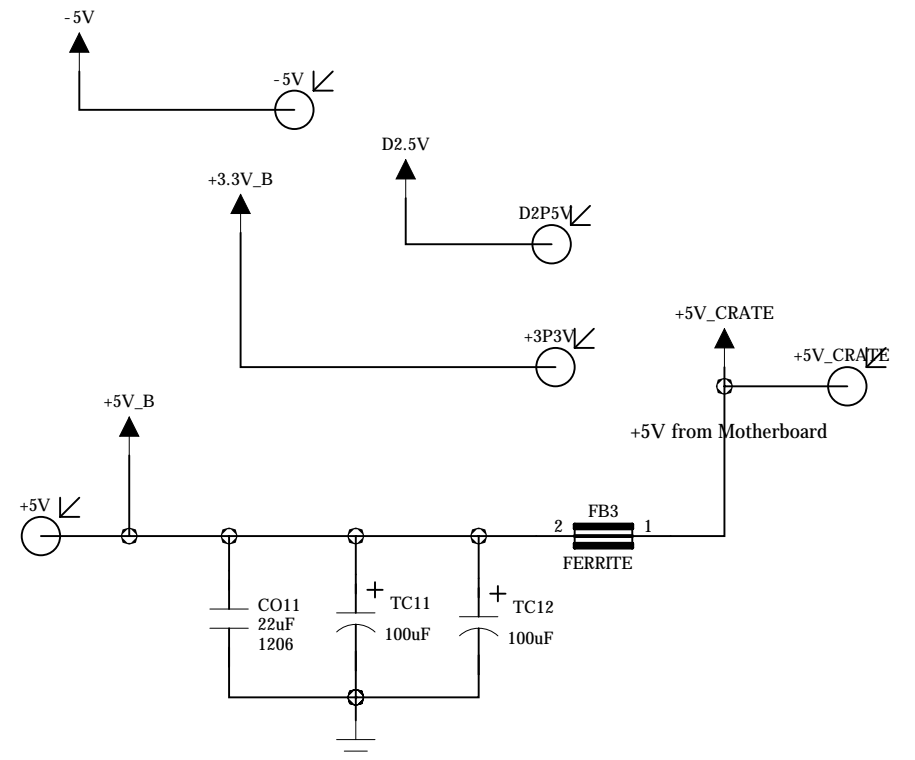
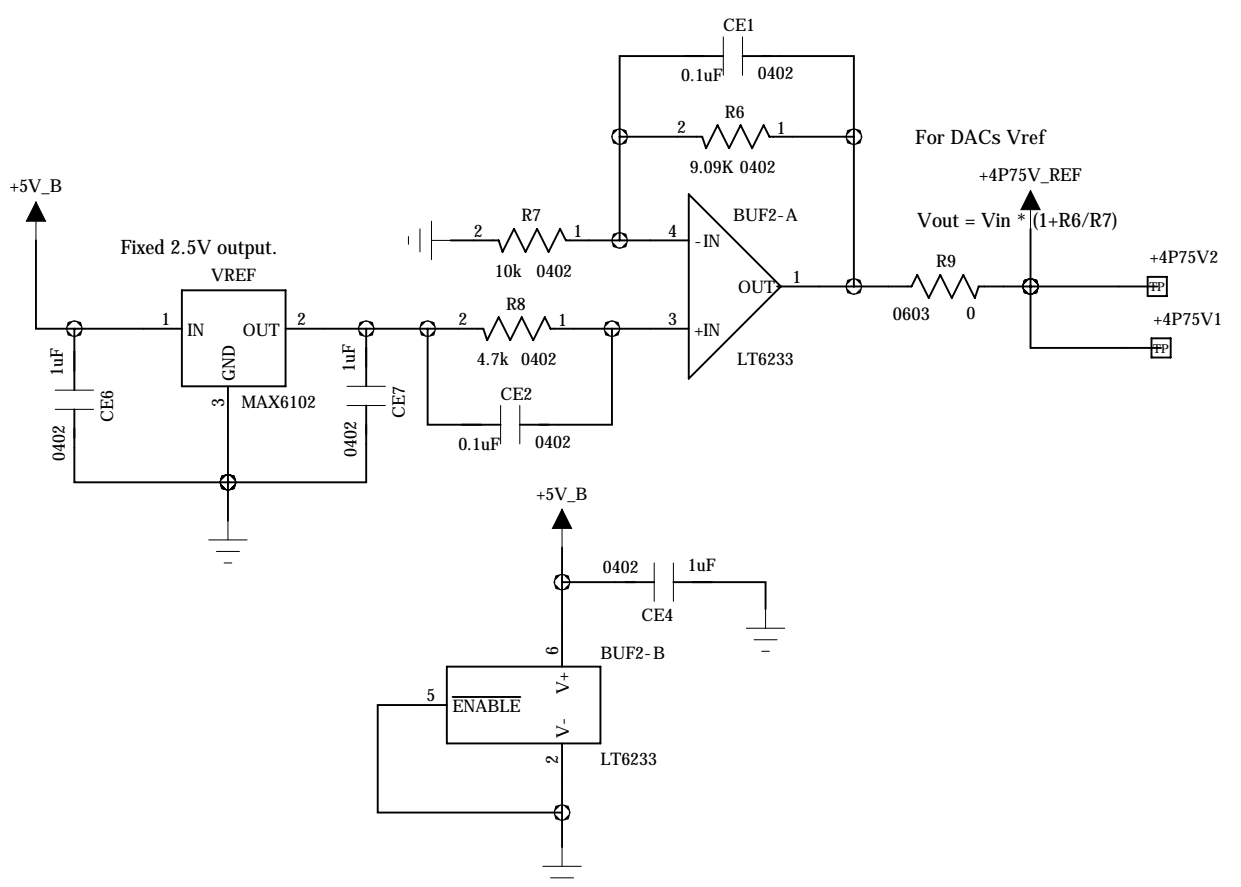
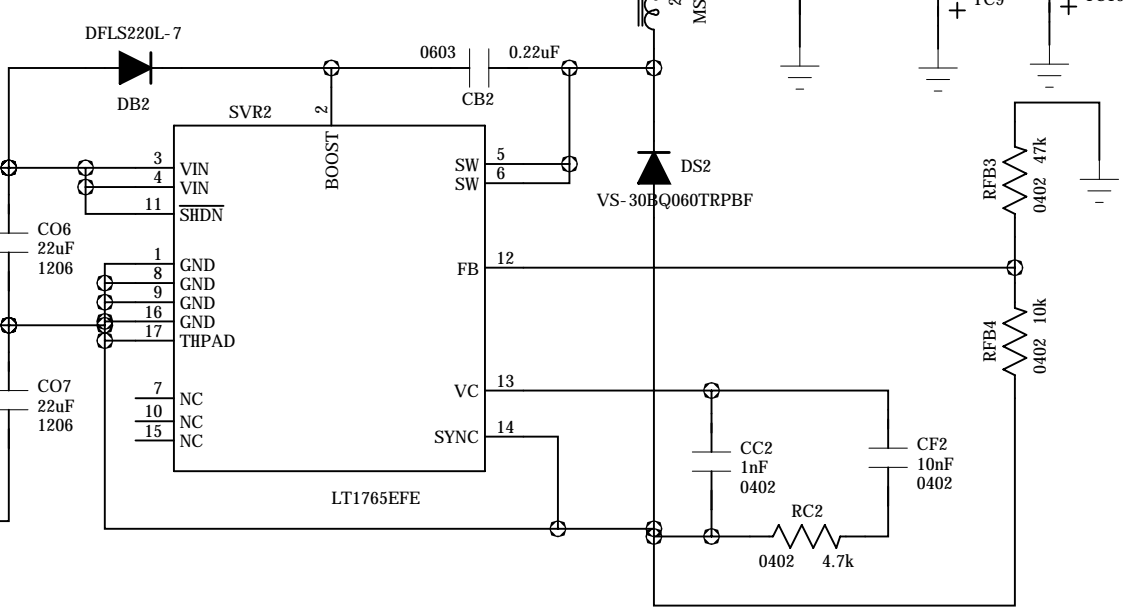
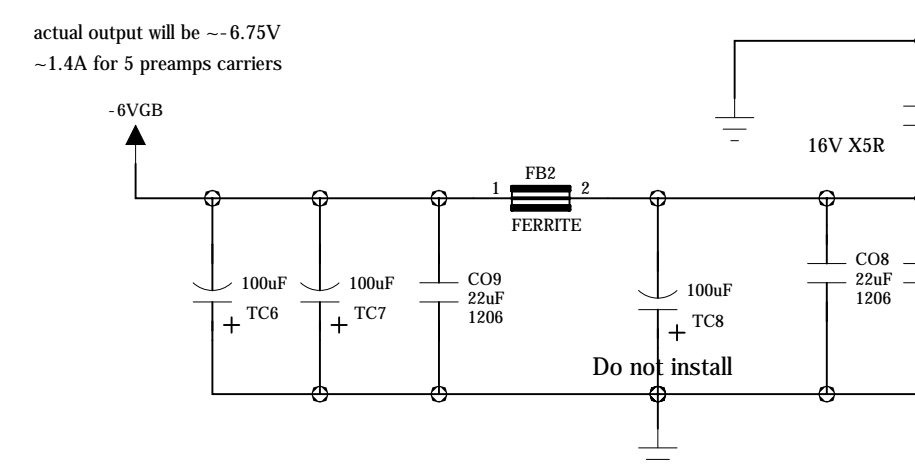
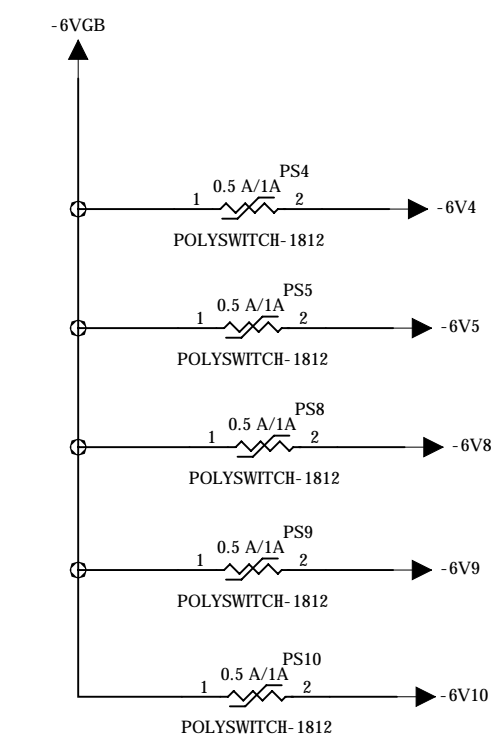
C

B

B

A

A



institution:	University of Hawaii at Manoa High Energy Physics Lab Instrumentation Development Lab
title:	KLM RHIC
revision:	C
IDLAB design #:	IDL_15_004
circuit design:	IDLAB
PCB design:	IDLAB
sheet #:	
sheet description:	
date last modified:	2015-06-16

6

5

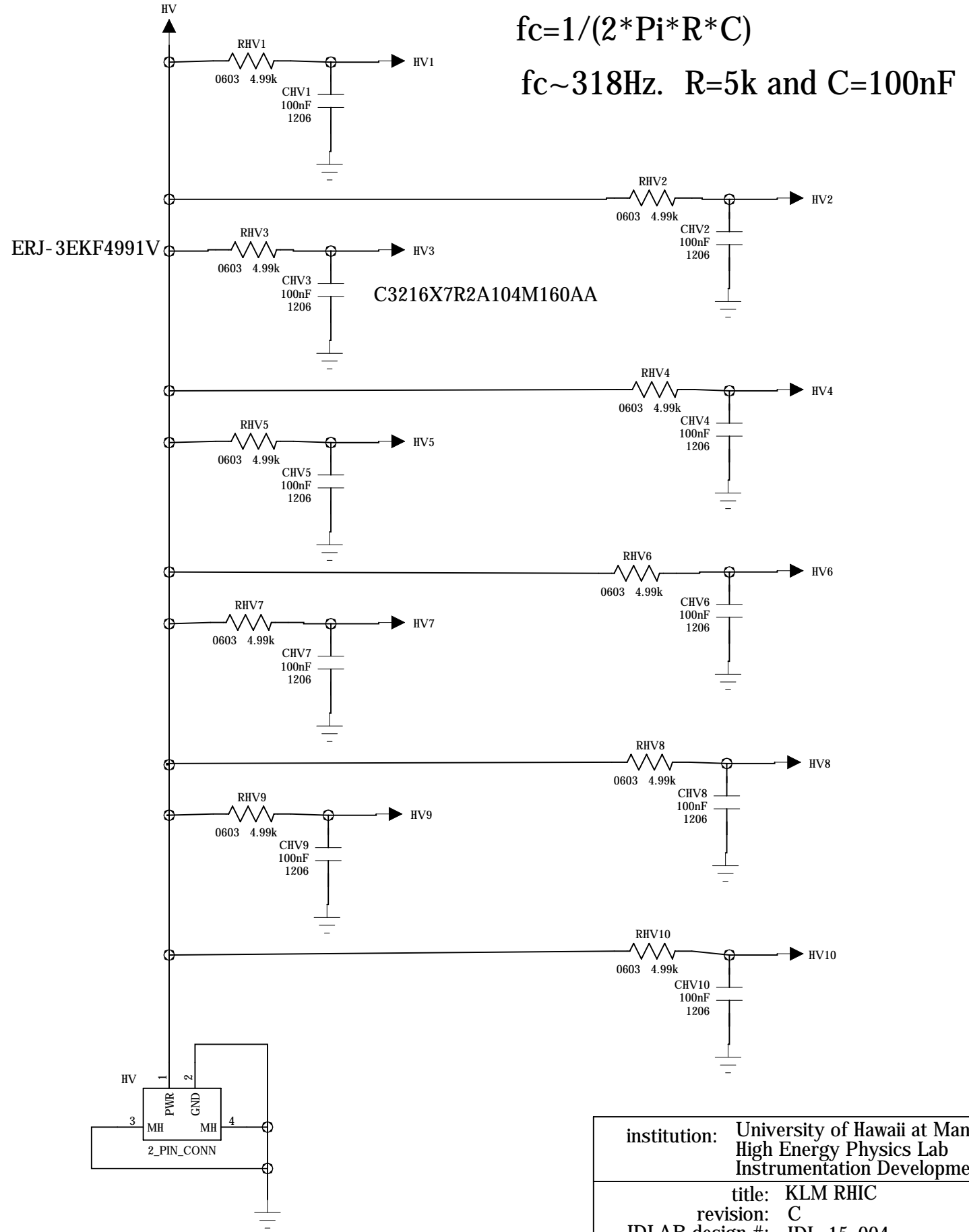
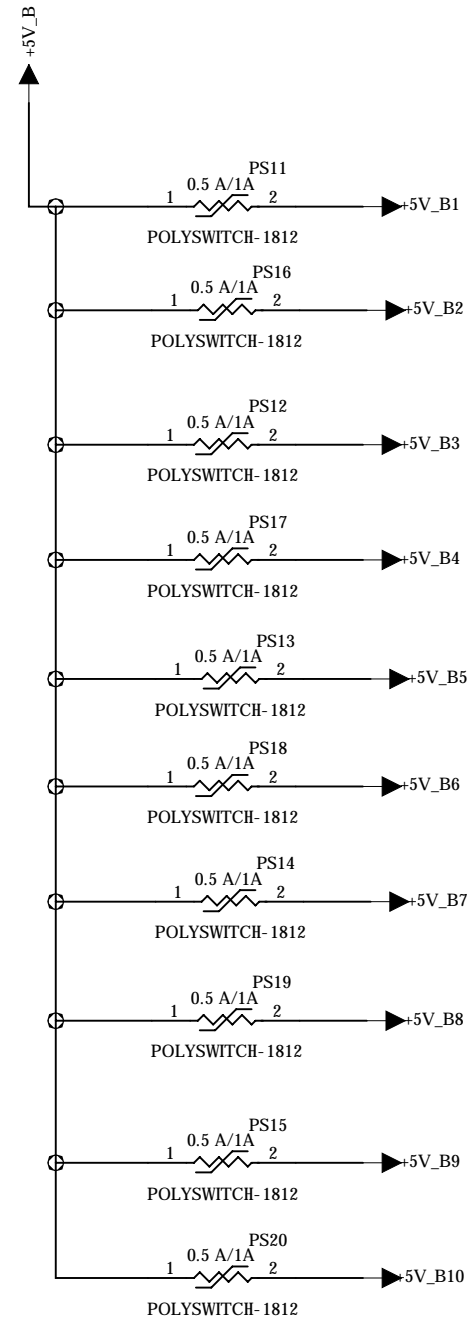
4

3

2

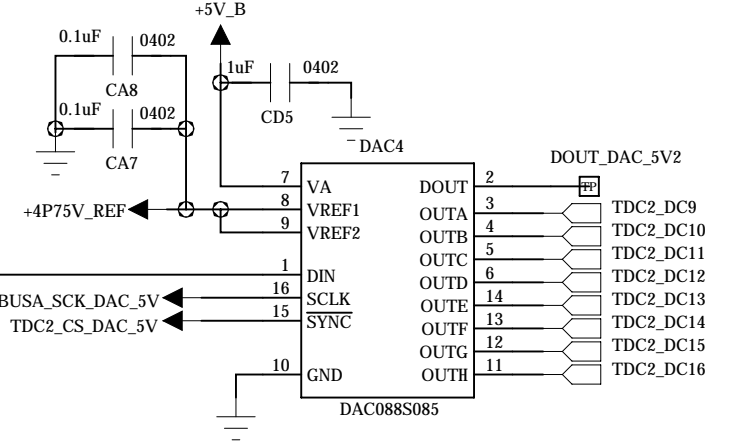
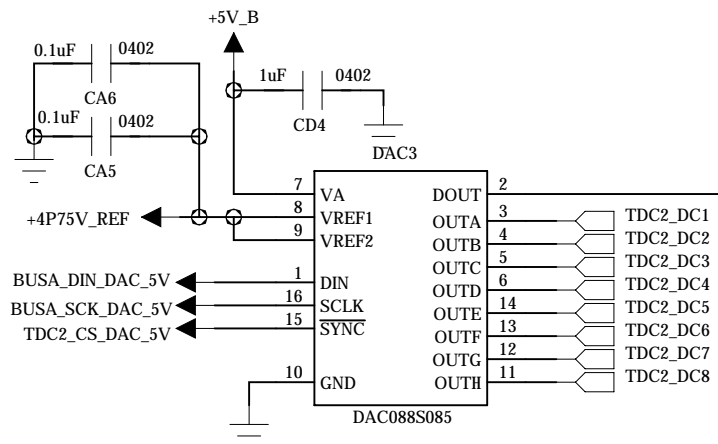
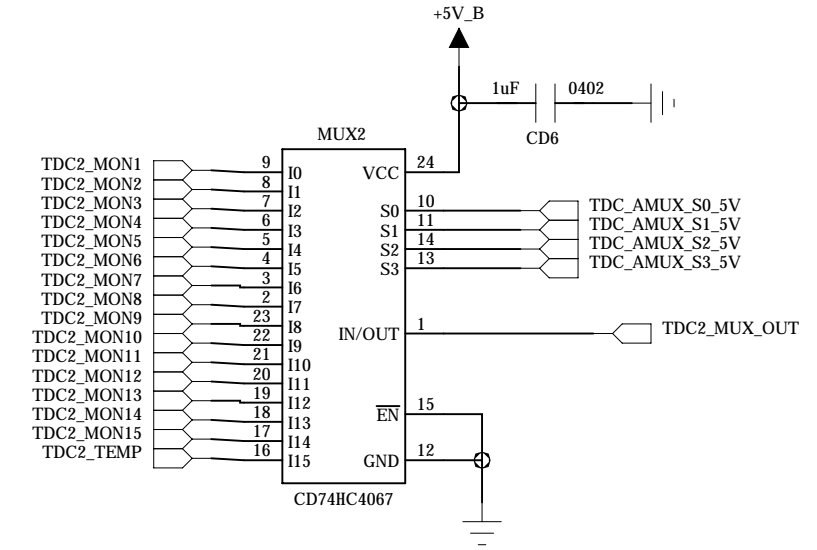
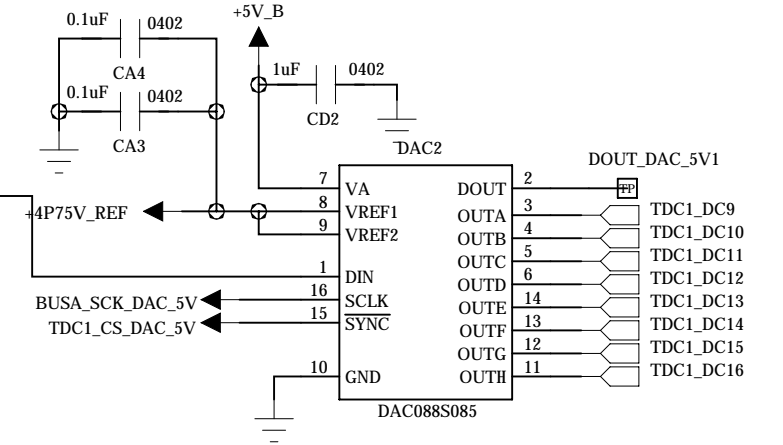
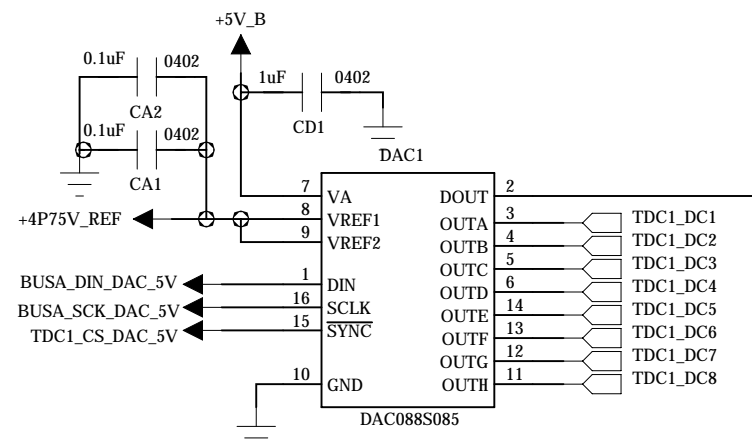
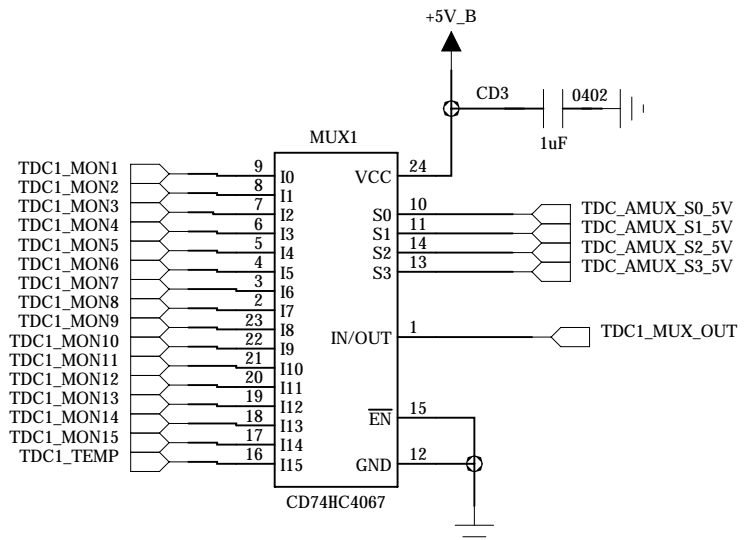
1

Part#: 0ZCC0050FF2C. Trip current: 1A.
Current Hold: 0.5A.



institution:	University of Hawaii at Manoa High Energy Physics Lab Instrumentation Development Lab
title:	KLM RHIC
revision:	C
IDLAB design #:	IDL_15_004
circuit design:	IDLAB
PCB design:	IDLAB
sheet #:	
sheet description:	
date last modified:	2015-06-16

Daisy-chain serial interface for MAX5258.



institution:	University of Hawaii at Manoa High Energy Physics Lab Instrumentation Development Lab
title:	KLM RHIC
revision:	C
IDLAB design #:	IDL_15_004
circuit design:	IDLAB
PCB design:	IDLAB
sheet #:	
sheet description:	
date last modified:	2015-06-16

6

5

4

3

2

1

E

E

D

D

C

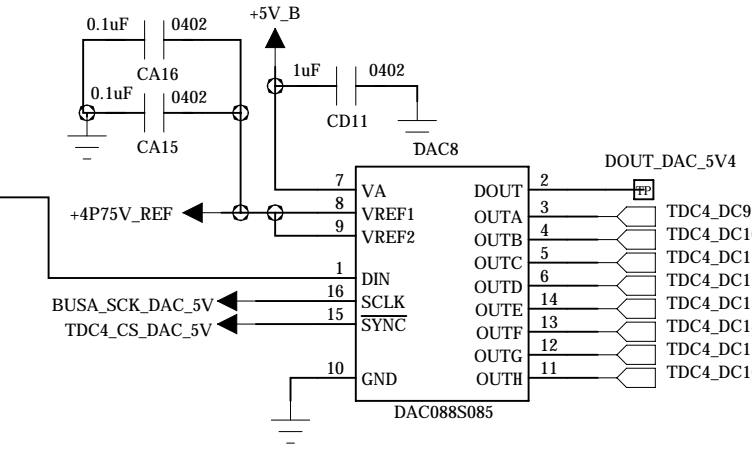
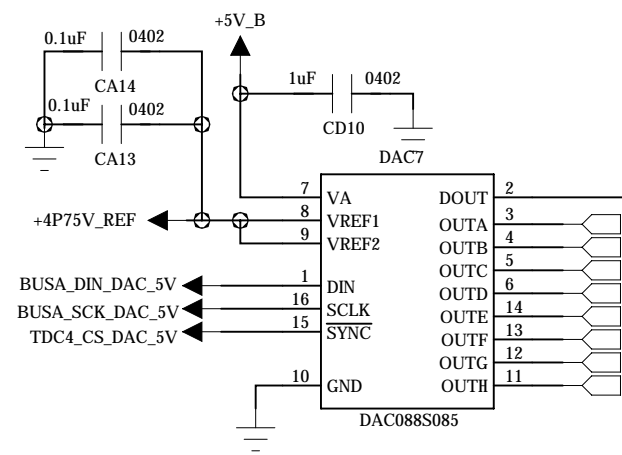
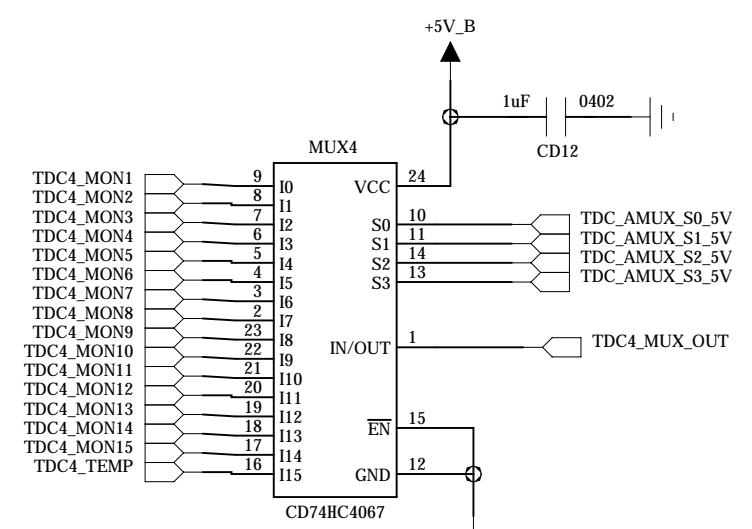
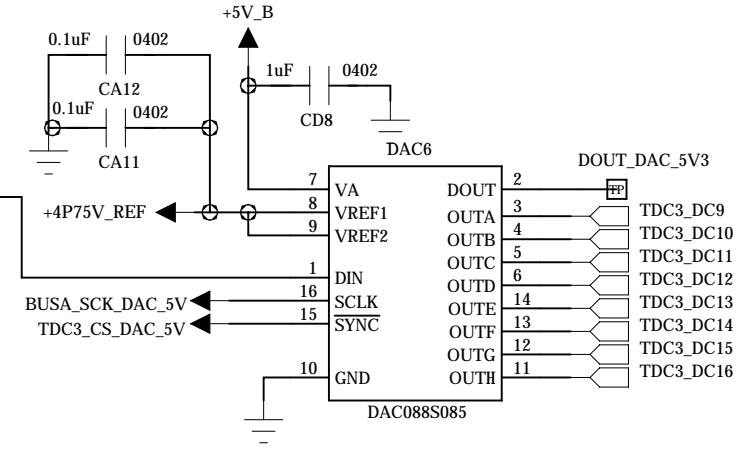
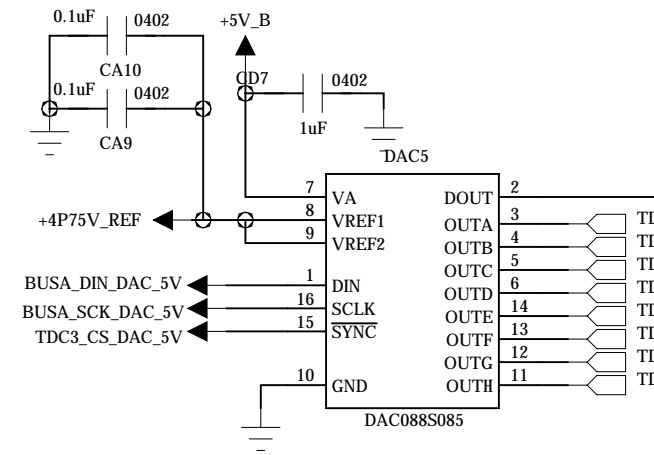
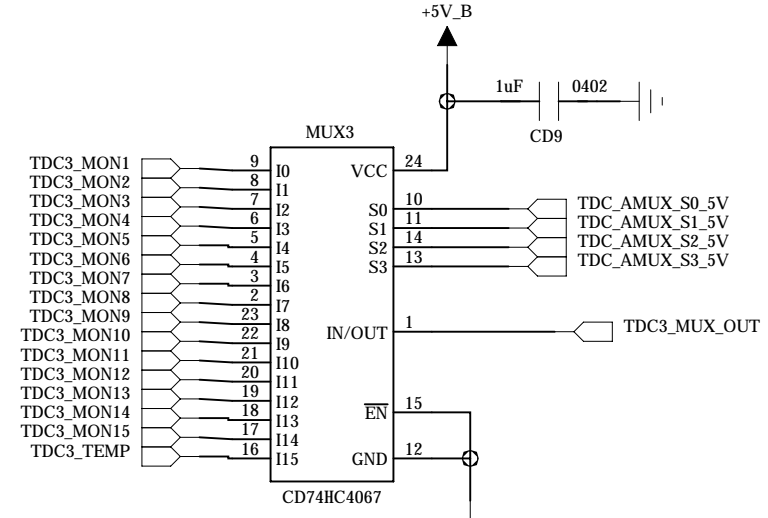
C

B

B

A

A



institution:	University of Hawaii at Manoa High Energy Physics Lab Instrumentation Development Lab
title:	KLM RHIC
revision:	C
IDLAB design #:	IDL_15_004
circuit design:	IDLAB
PCB design:	IDLAB
sheet #:	
sheet description:	
date last modified:	2015-06-16

6

5

4

3

2

1

E

E

D

D

C

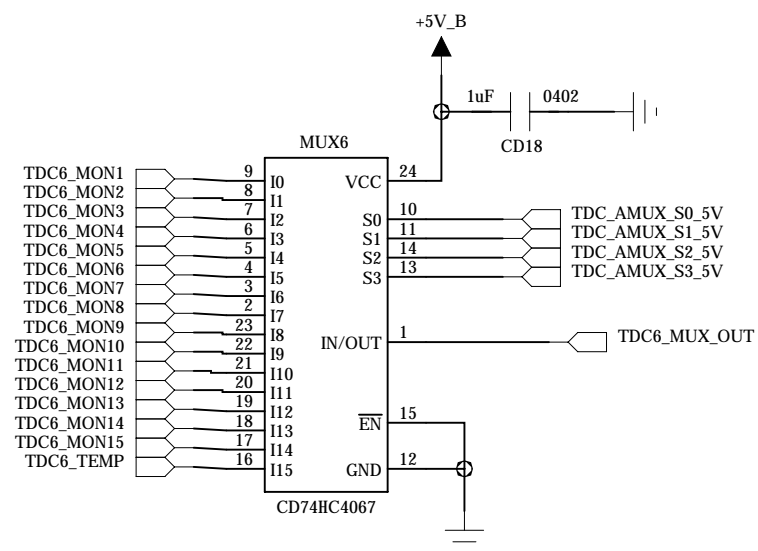
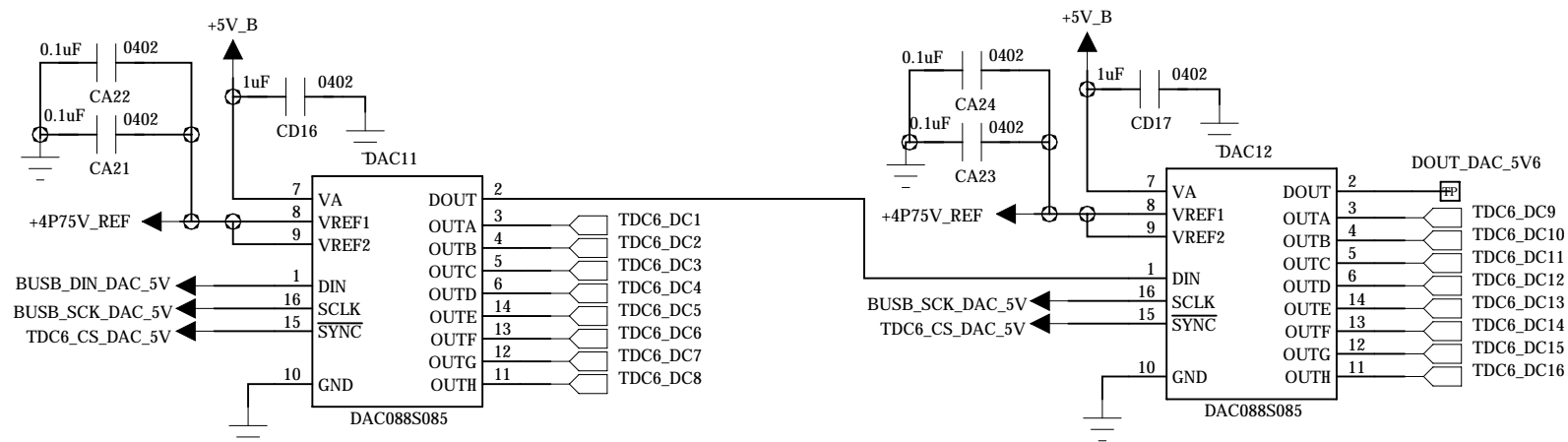
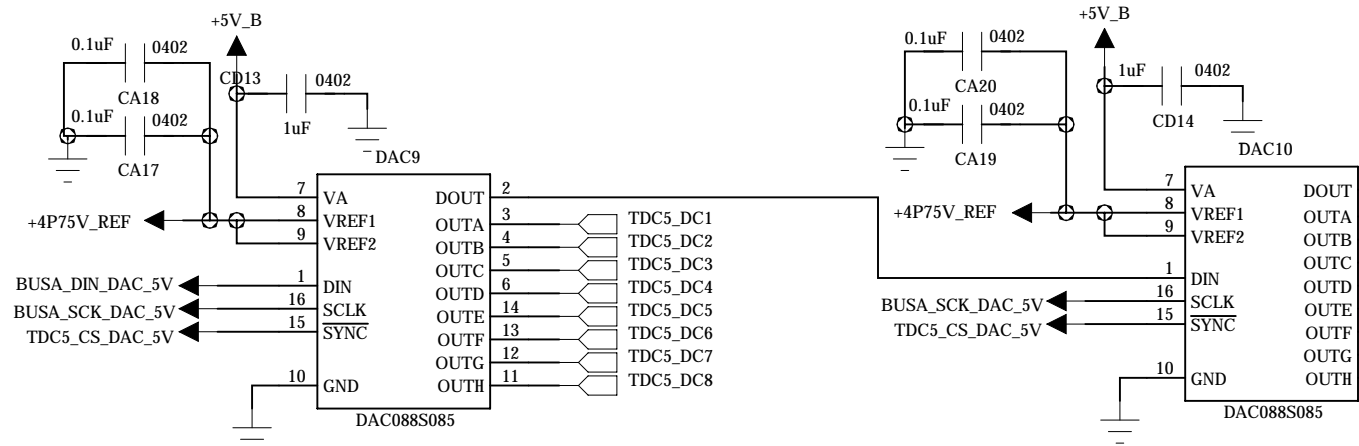
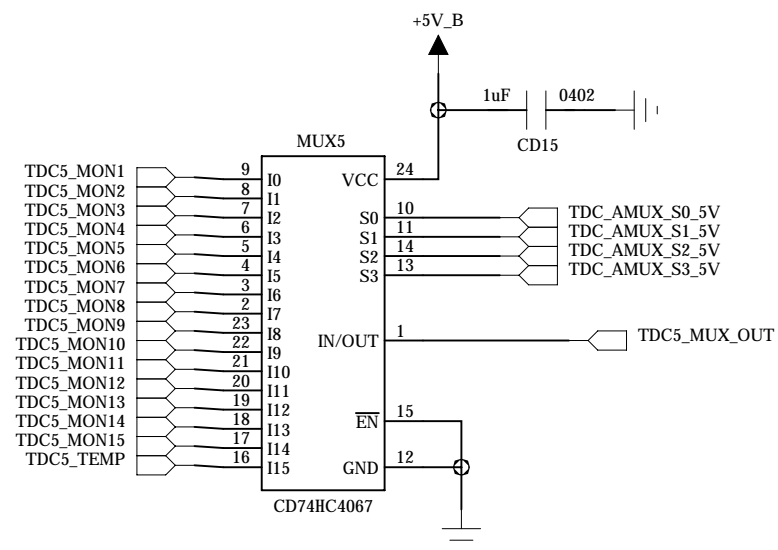
C

B

B

A

A



institution: University of Hawaii at Manoa
High Energy Physics Lab
Instrumentation Development Lab

title: KLM RHIC
revision: C
IDLAB design #: IDL_15_004
circuit design: IDLAB
PCB design: IDLAB

sheet #:
sheet description:
date last modified: 2015-06-16

E

E

D

D

C

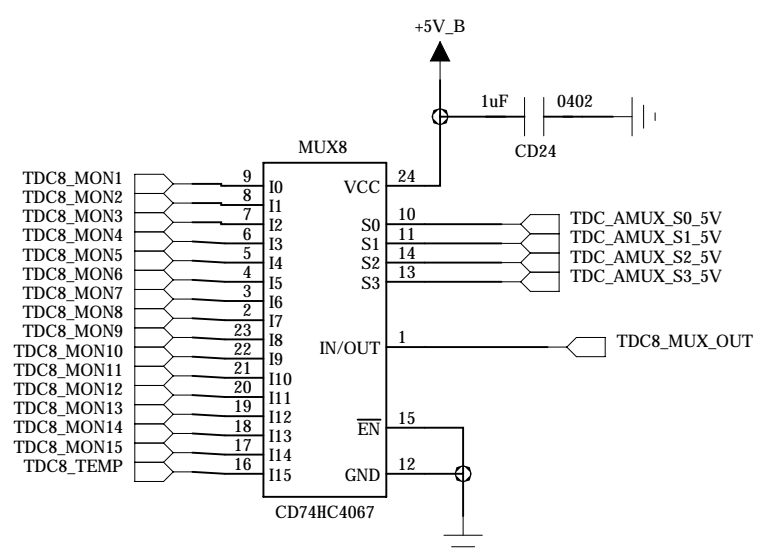
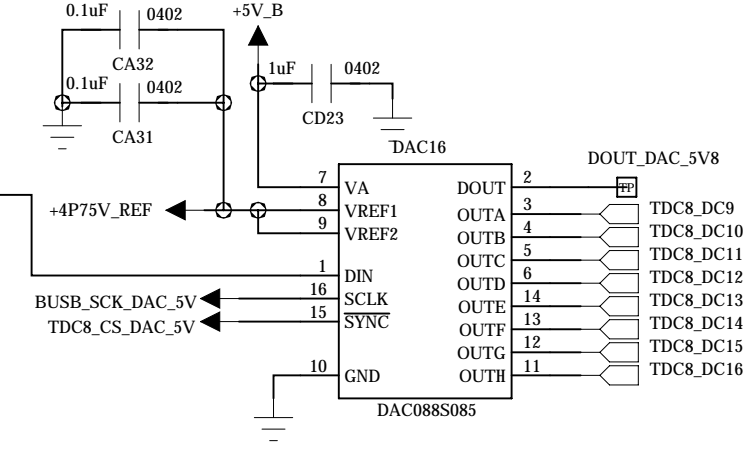
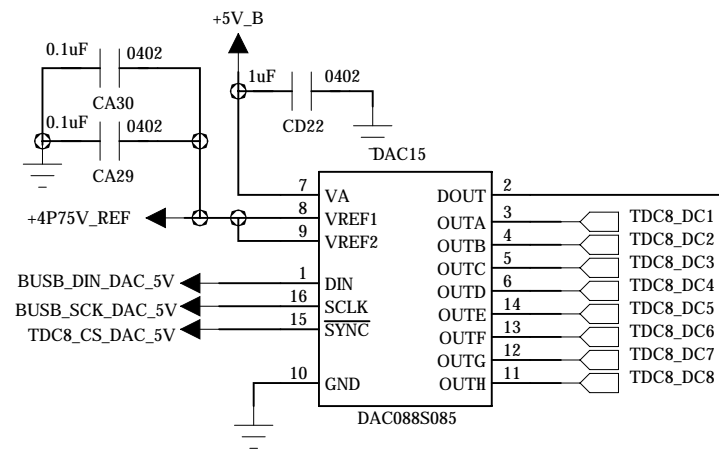
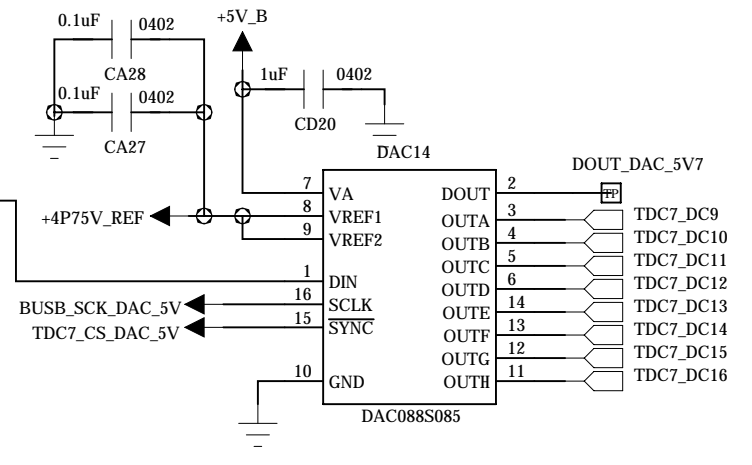
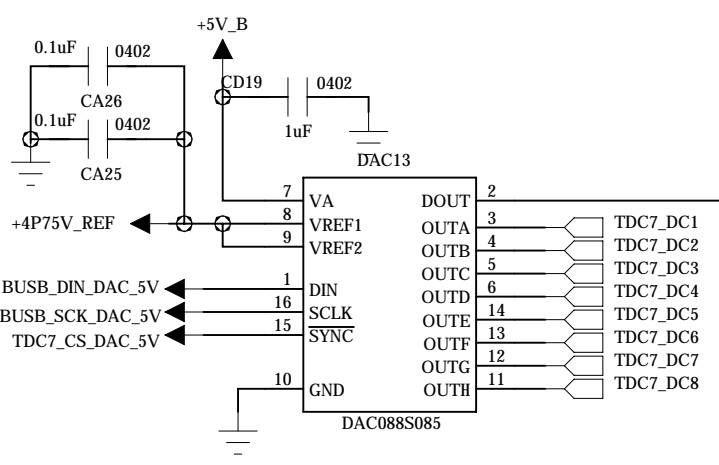
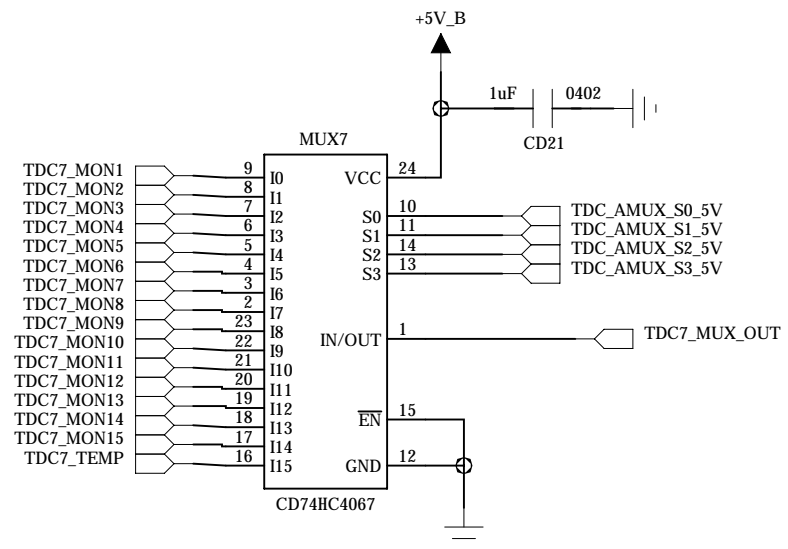
C

B

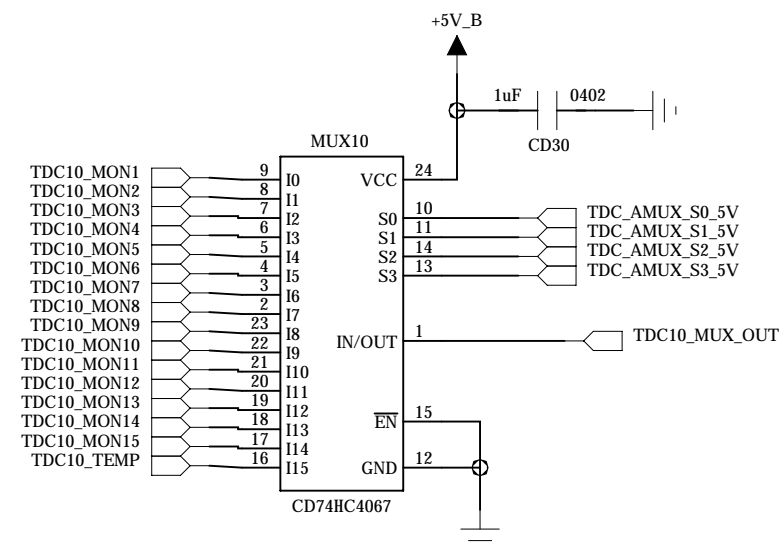
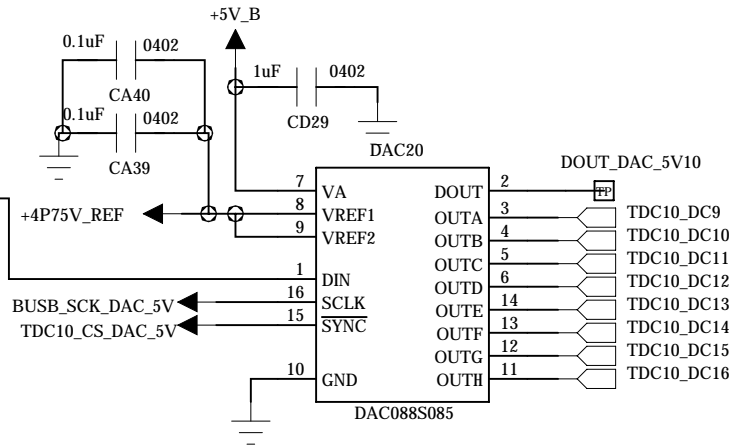
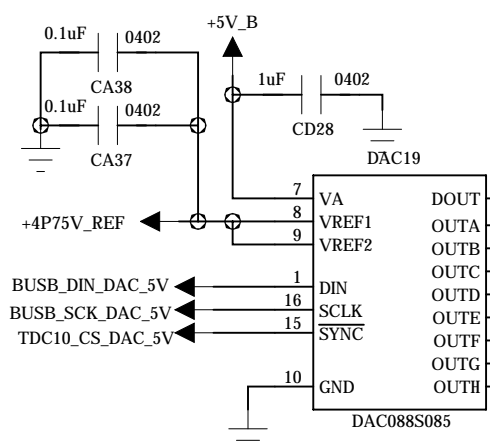
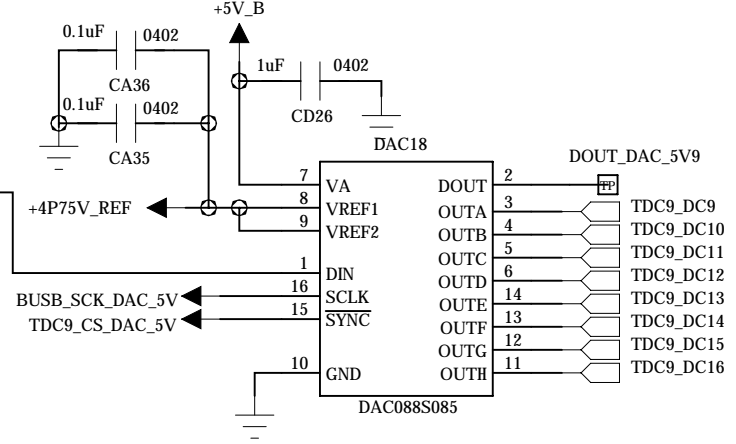
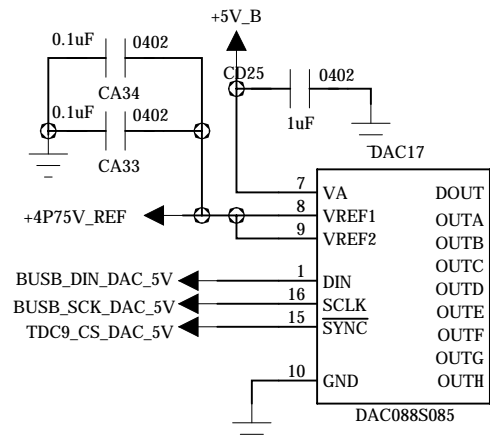
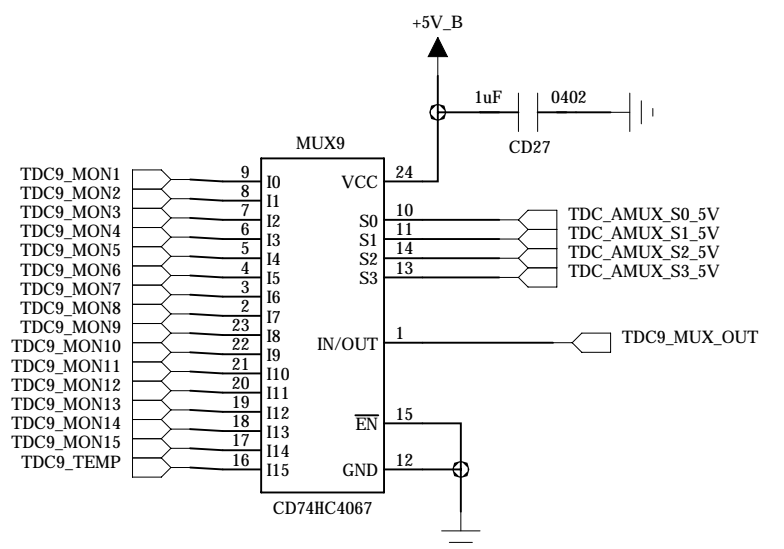
B

A

A



institution:	University of Hawaii at Manoa High Energy Physics Lab Instrumentation Development Lab
title:	KLM RHIC
revision:	C
IDLAB design #:	IDL_15_004
circuit design:	IDLAB
PCB design:	IDLAB
sheet #:	
sheet description:	
date last modified:	2015-06-16



institution:	University of Hawaii at Manoa High Energy Physics Lab Instrumentation Development Lab
title:	KLM RHIC
revision:	C
IDLAB design #:	IDL_15_004
circuit design:	IDLAB
PCB design:	IDLAB
sheet #:	
sheet description:	
date last modified:	2015-06-16

E

E

D

D

C

C

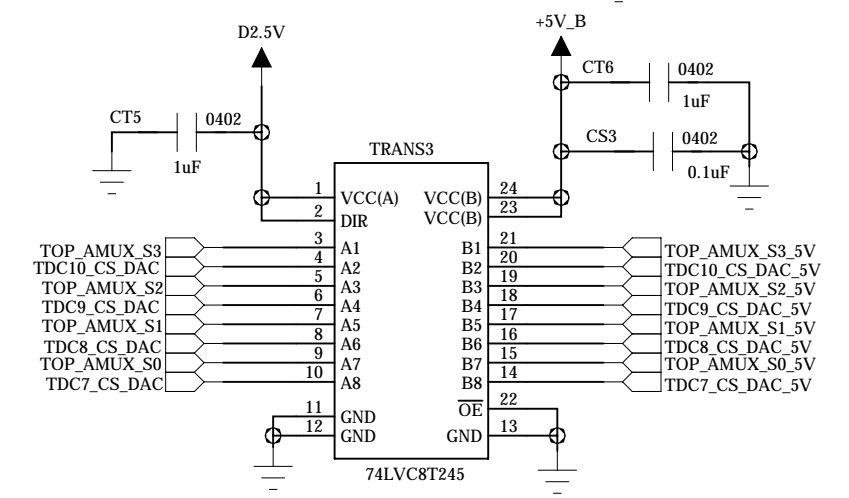
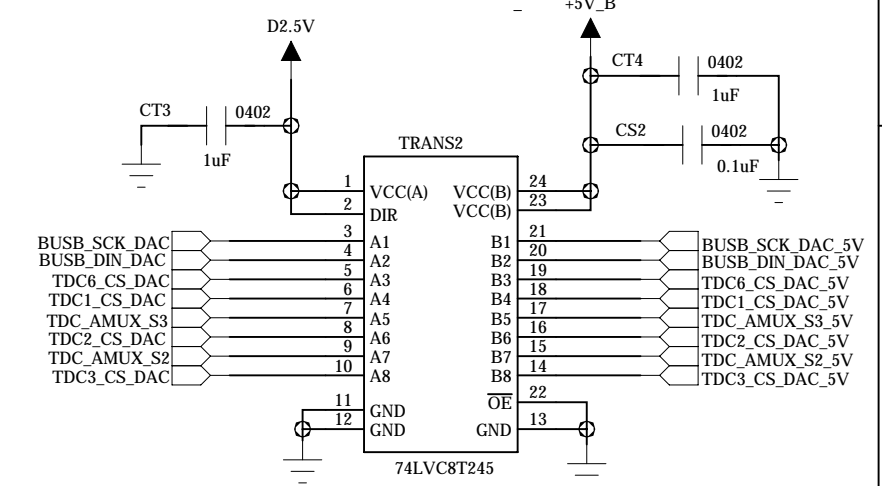
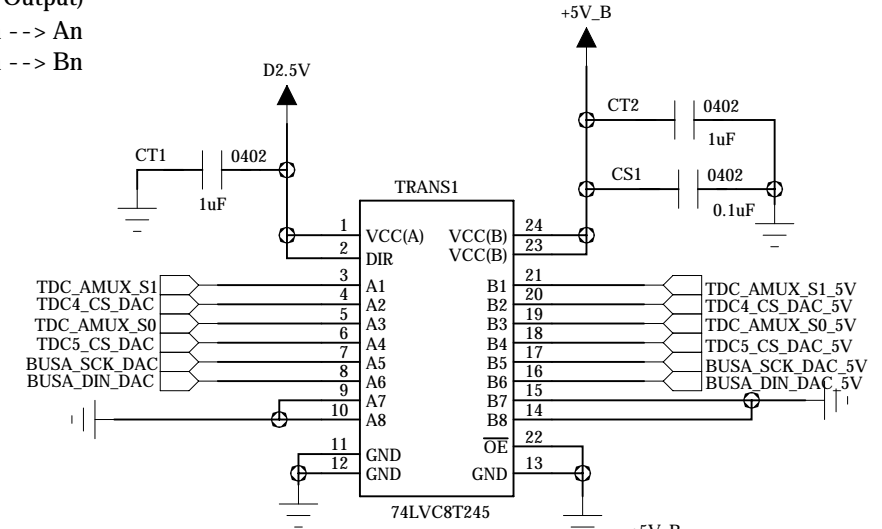
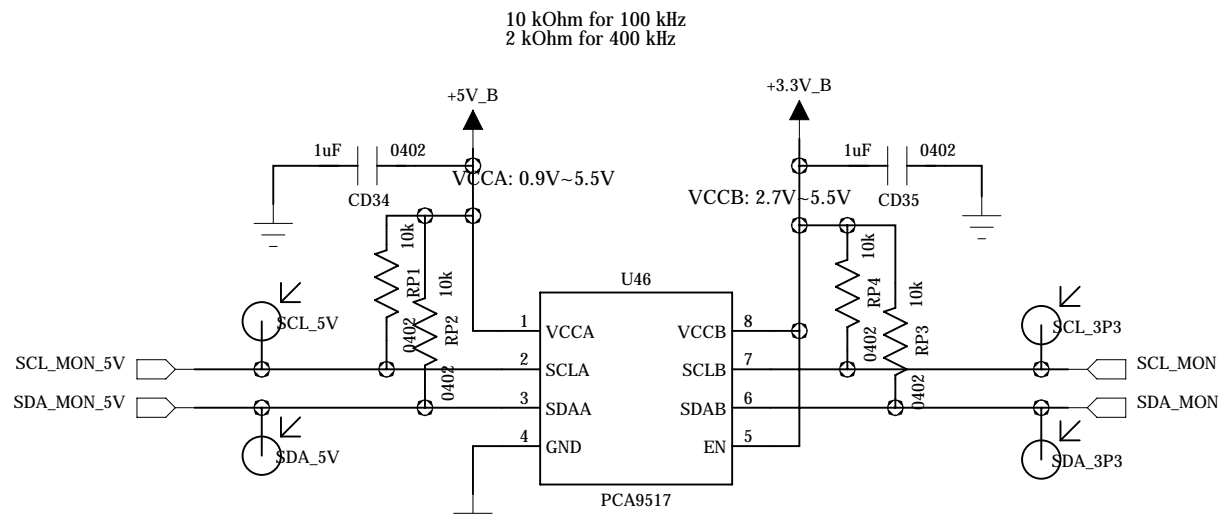
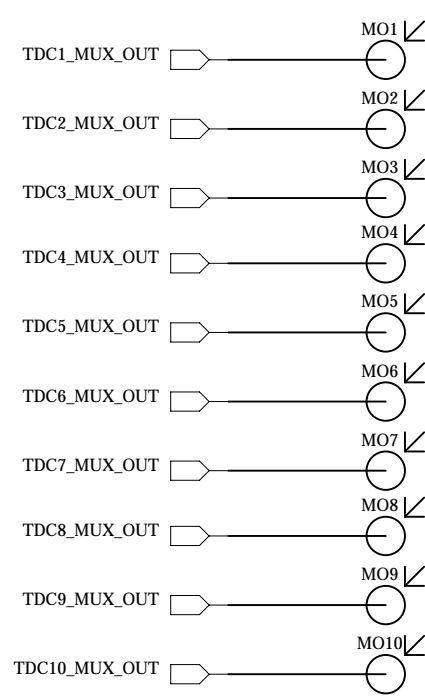
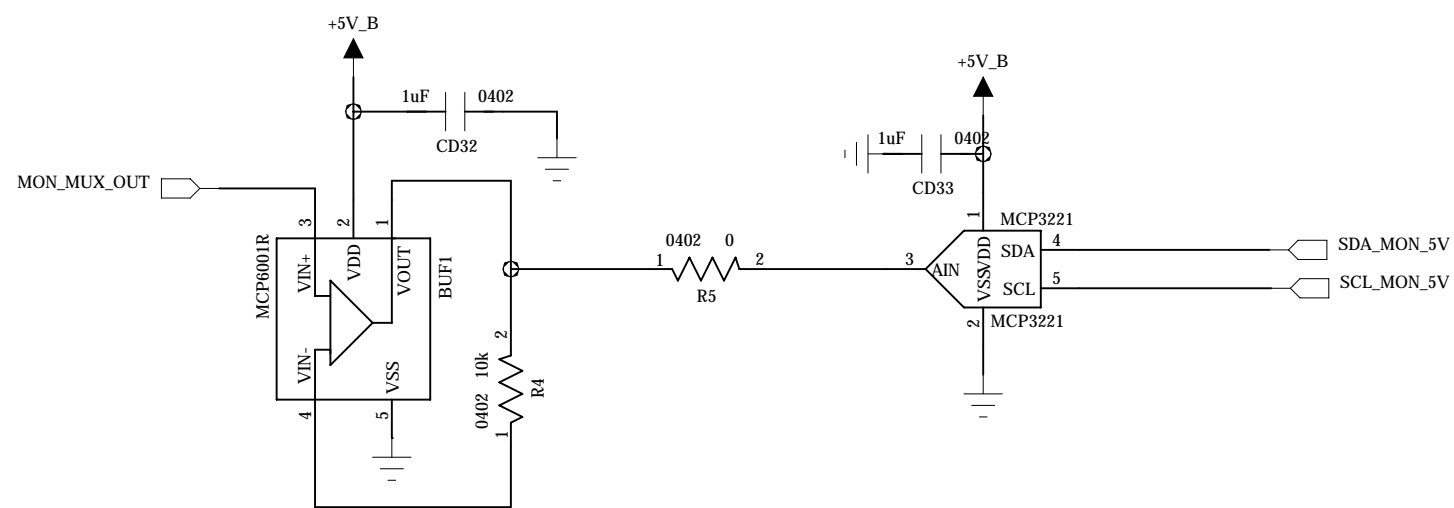
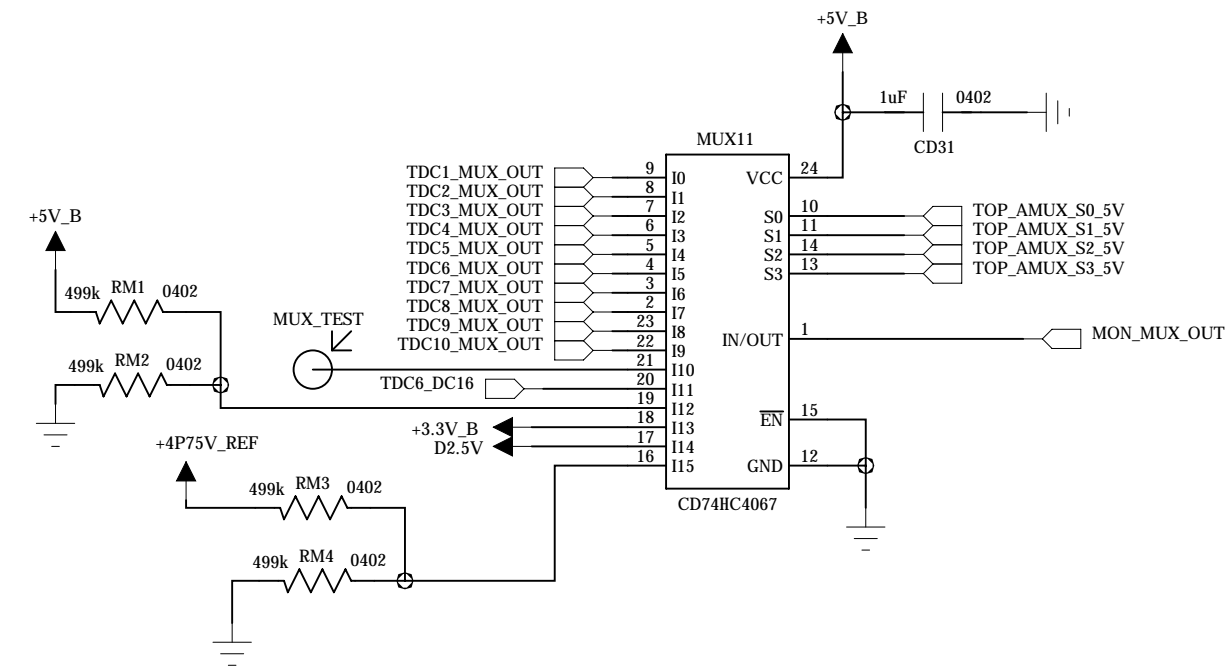
B

B

A

A

Datasheet page4: $\overline{OE}='0'$ (Input --> Output)
 If DIR='0': Bn --> An
 If DIR='1': An --> Bn



institution:	University of Hawaii at Manoa High Energy Physics Lab Instrumentation Development Lab
title:	KLM RHIC
revision:	C
IDLAB design #:	IDL 15_004
circuit design:	IDLAB
PCB design:	IDLAB
sheet #:	
sheet description:	
date last modified:	2015-06-16

6

5

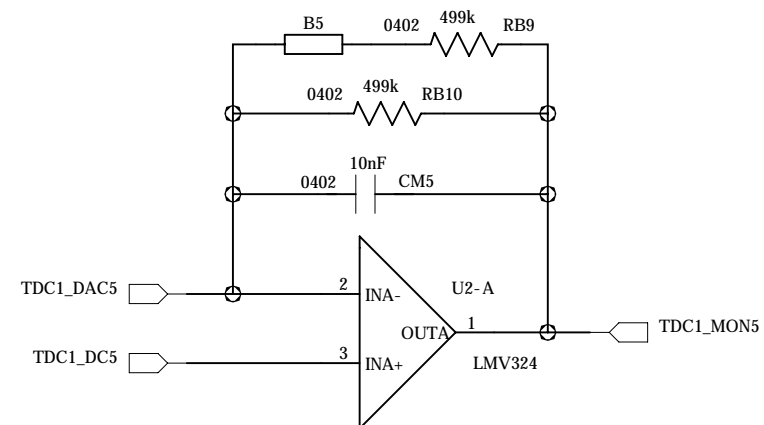
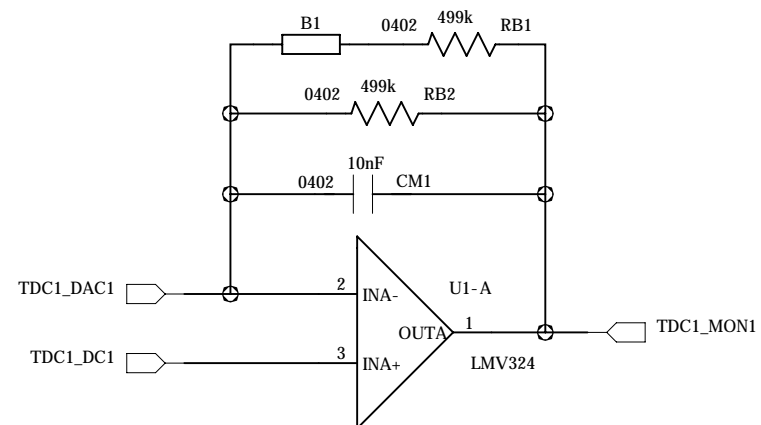
4

3

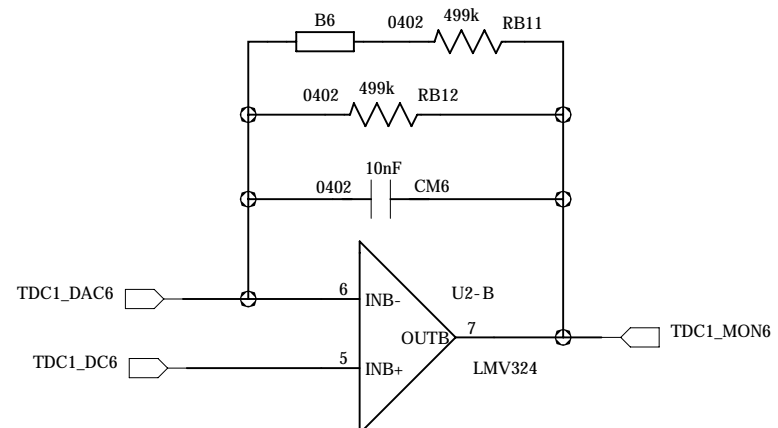
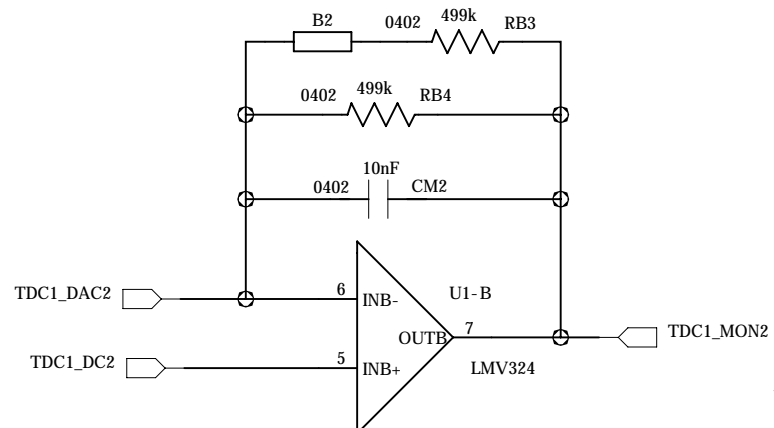
2

1

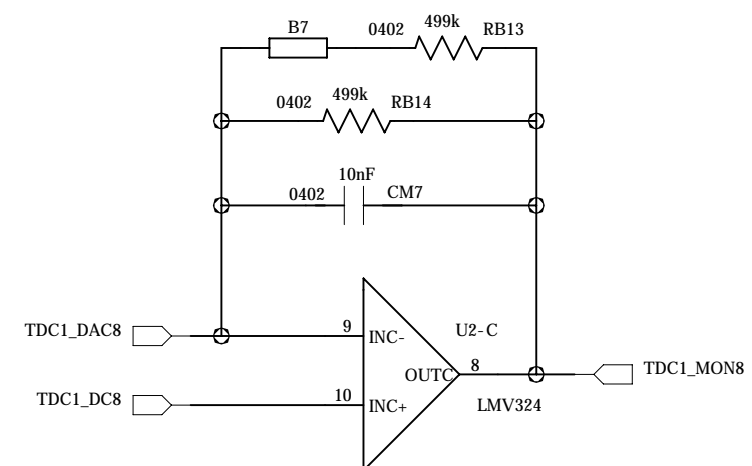
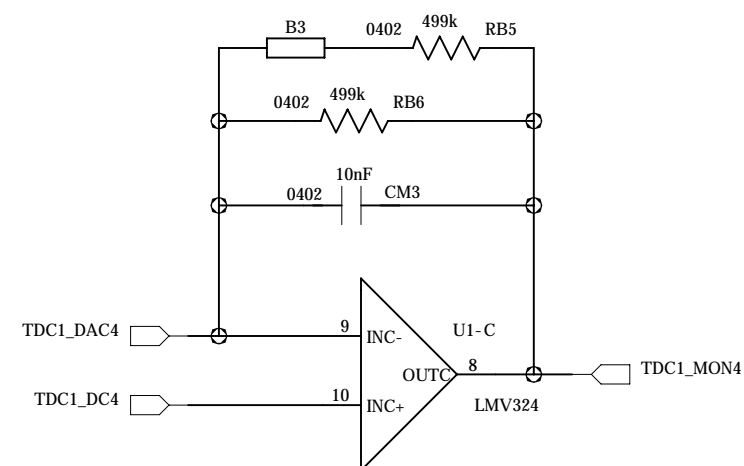
E



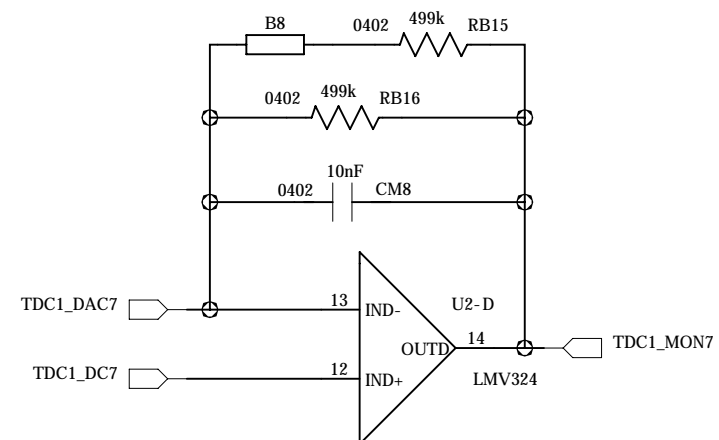
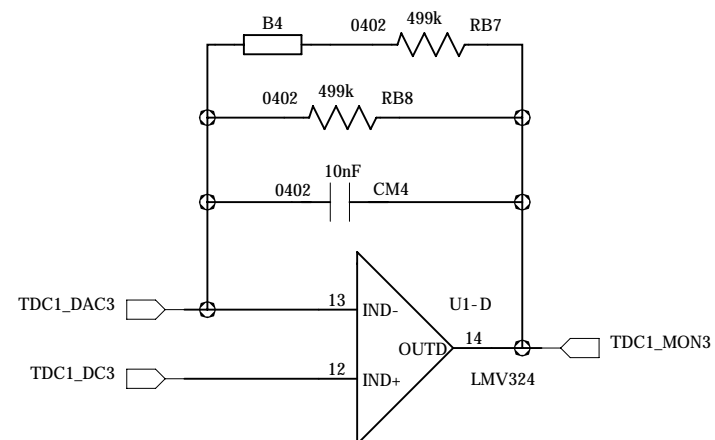
D



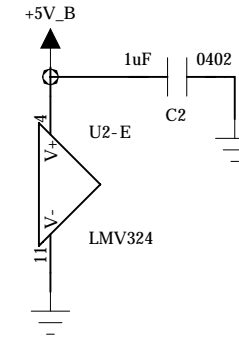
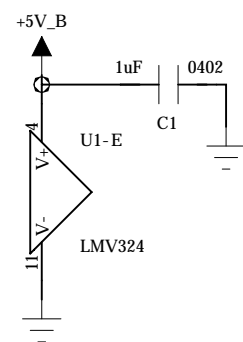
C



B



A



institution: University of Hawaii at Manoa
High Energy Physics Lab
Instrumentation Development Lab

title: KLM RHIC
revision: C
IDLAB design #: IDL_15_004
circuit design: IDLAB
PCB design: IDLAB

sheet #:
sheet description:
date last modified: 2015-06-16

E

D

C

B

A

6

5

4

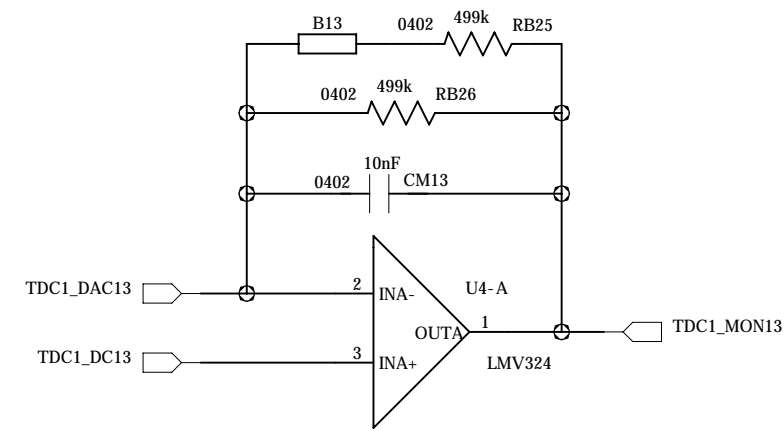
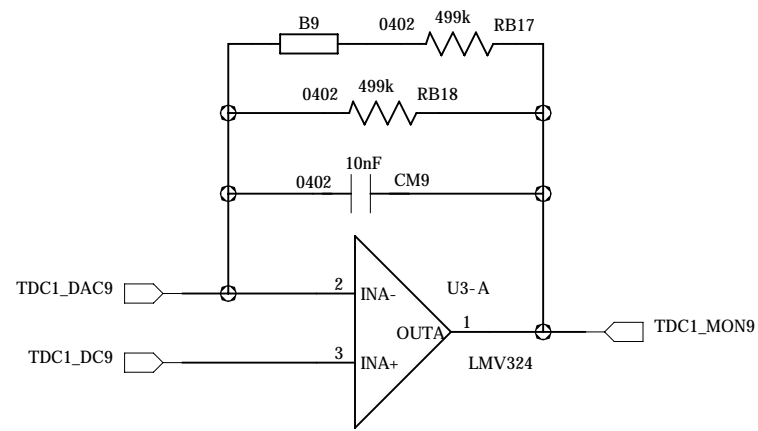
3

2

1

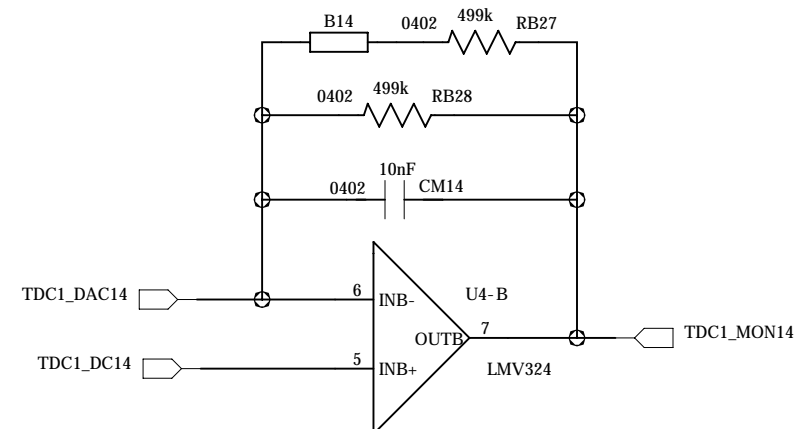
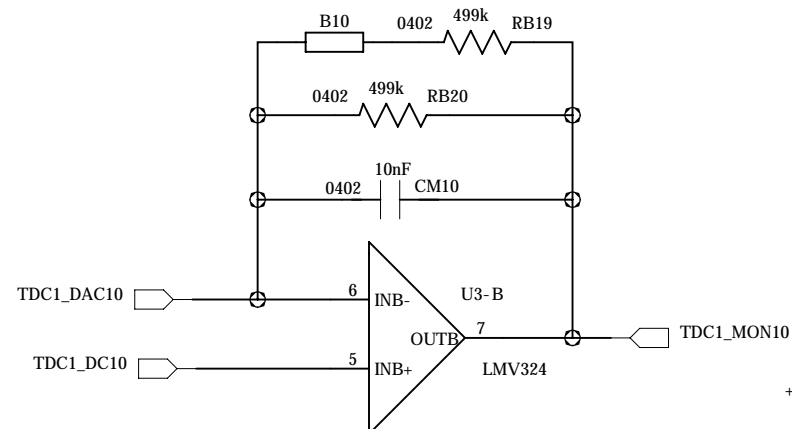
E

E



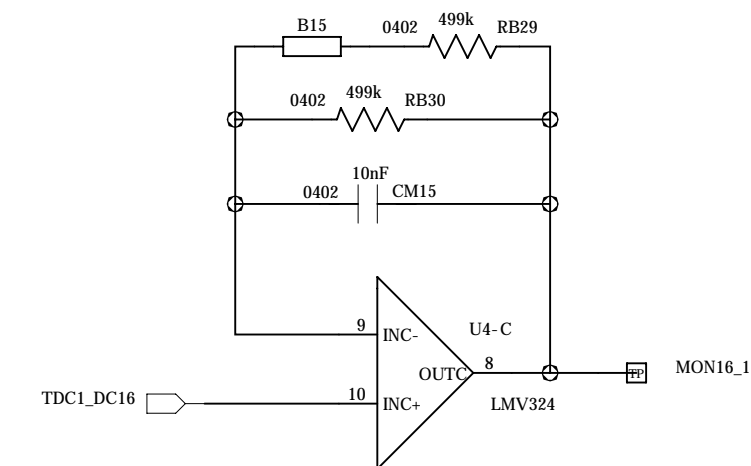
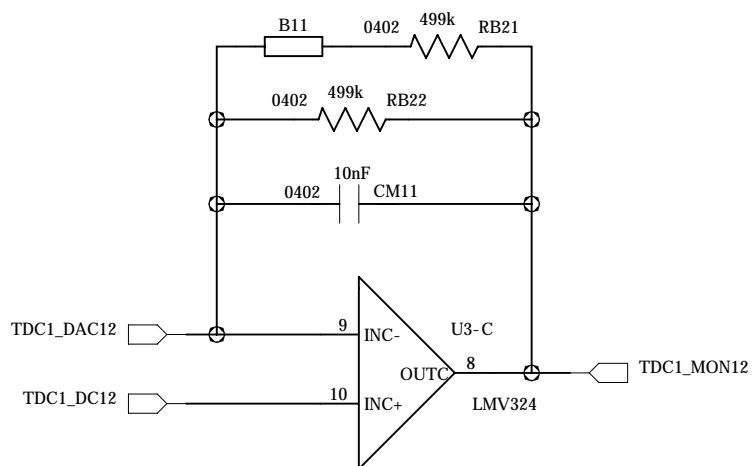
D

D



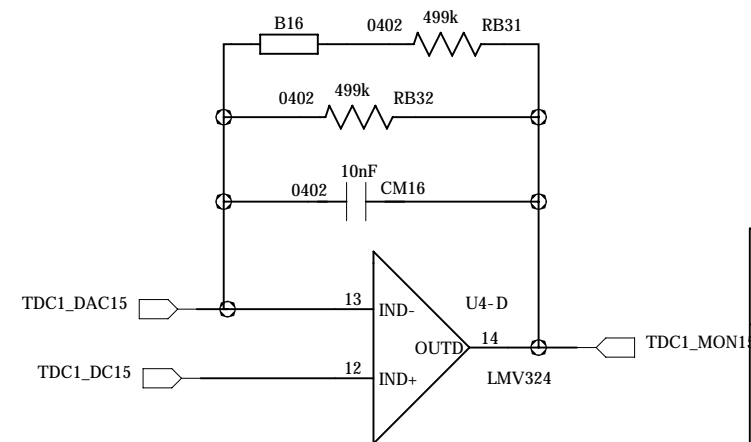
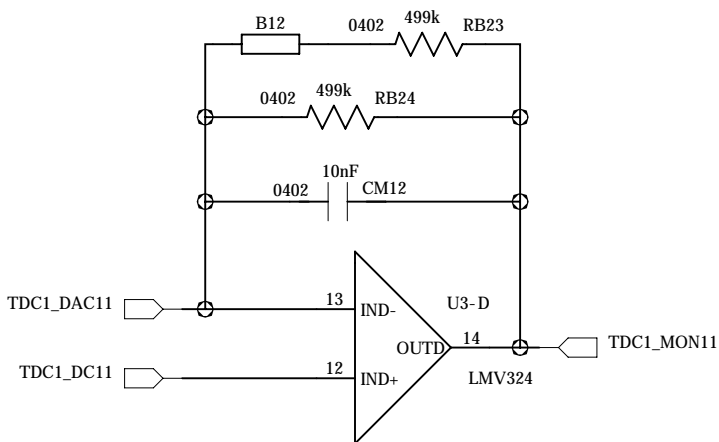
C

C



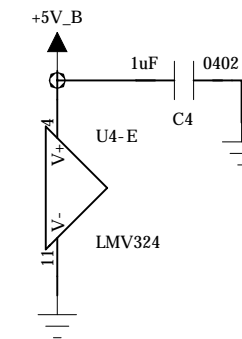
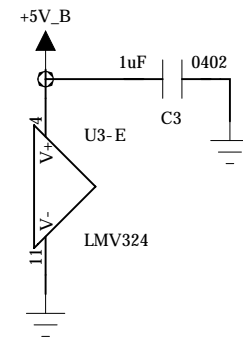
B

B



A

A



institution:	University of Hawaii at Manoa High Energy Physics Lab Instrumentation Development Lab
title:	KLM RHIC
revision:	C
IDLAB design #:	IDL_15_004
circuit design:	IDLAB
PCB design:	IDLAB
sheet #:	
sheet description:	
date last modified:	2015-06-16

6

5

4

3

2

1

E

E

D

D

C

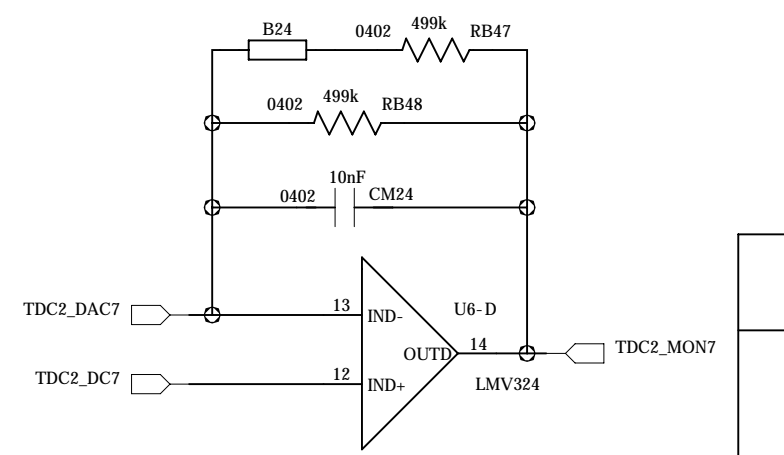
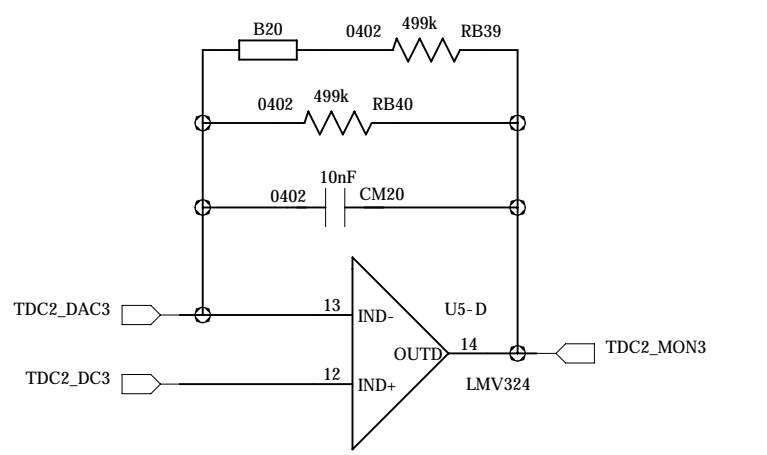
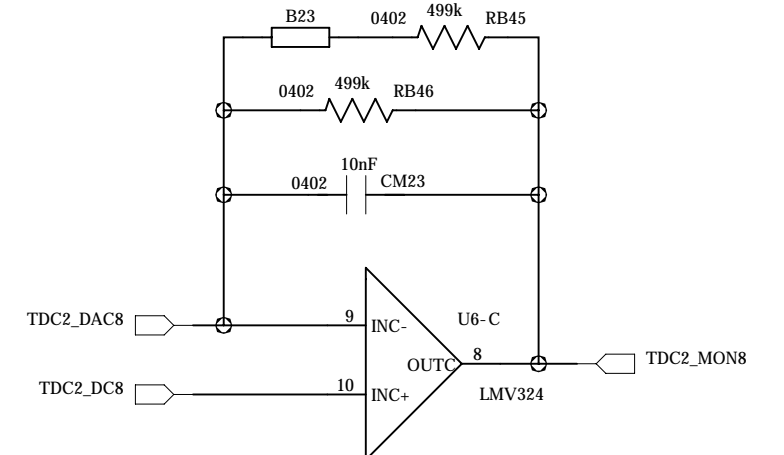
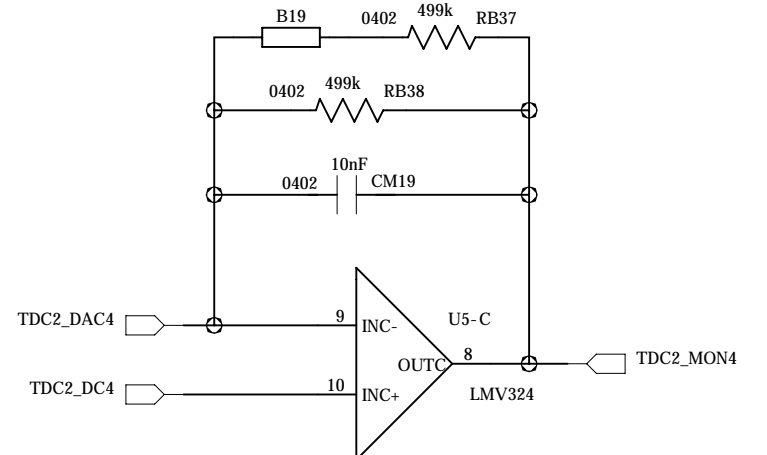
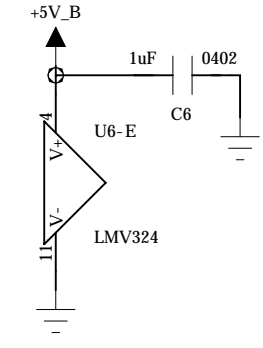
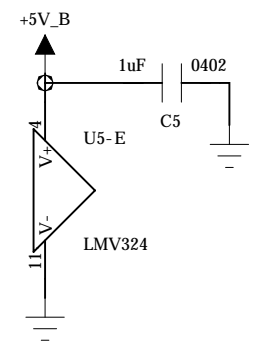
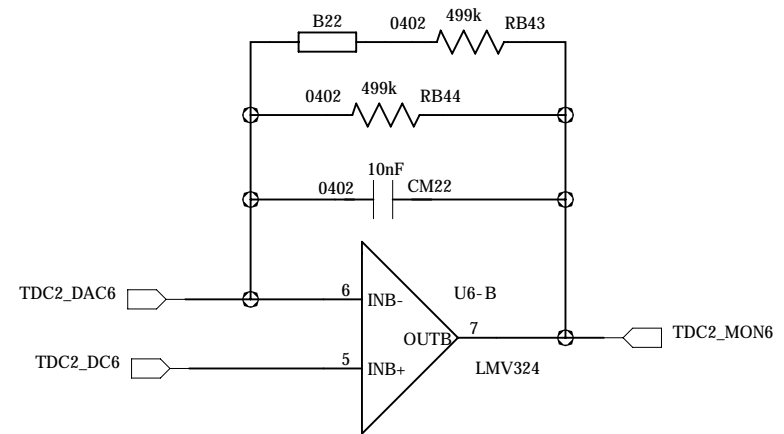
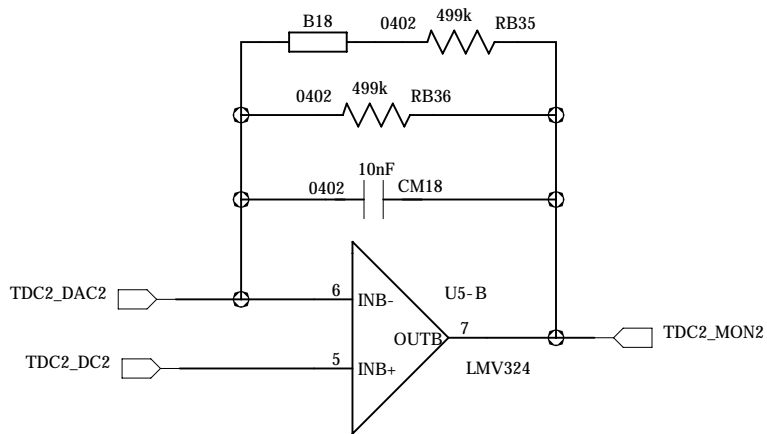
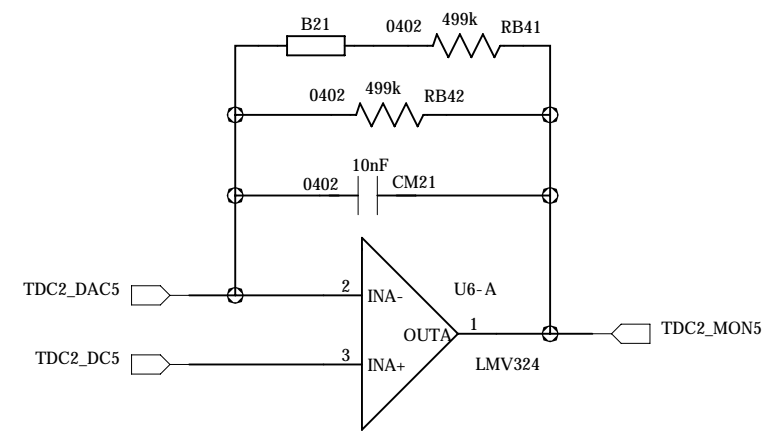
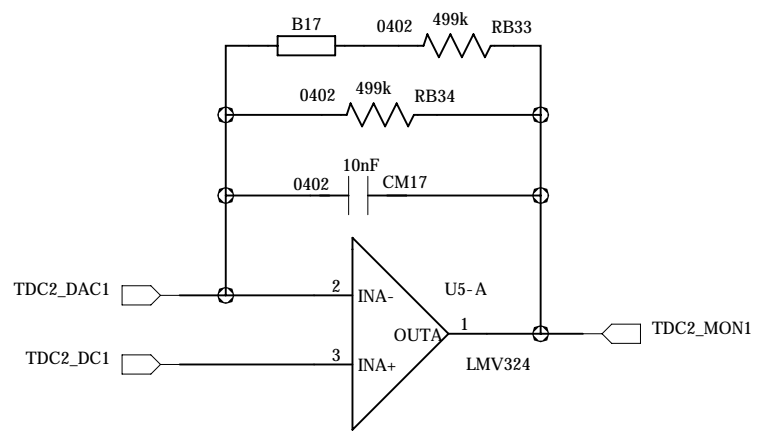
C

B

B

A

A



institution:	University of Hawaii at Manoa High Energy Physics Lab Instrumentation Development Lab
title:	KLM RHIC
revision:	C
IDLAB design #:	IDL_15_004
circuit design:	IDLAB
PCB design:	IDLAB
sheet #:	
sheet description:	
date last modified:	2015-06-16

6

5

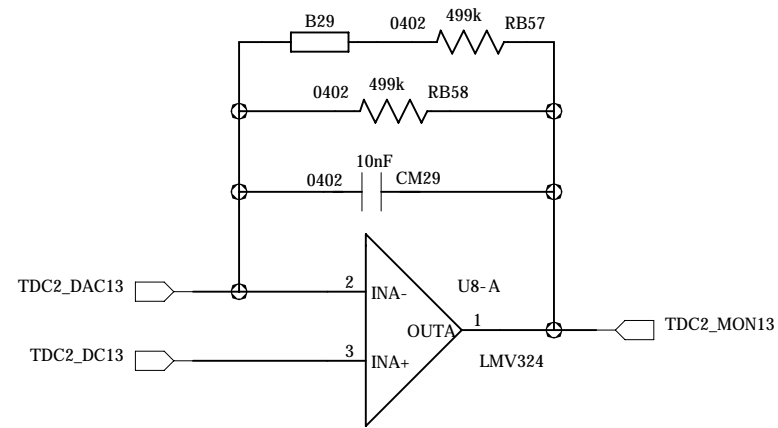
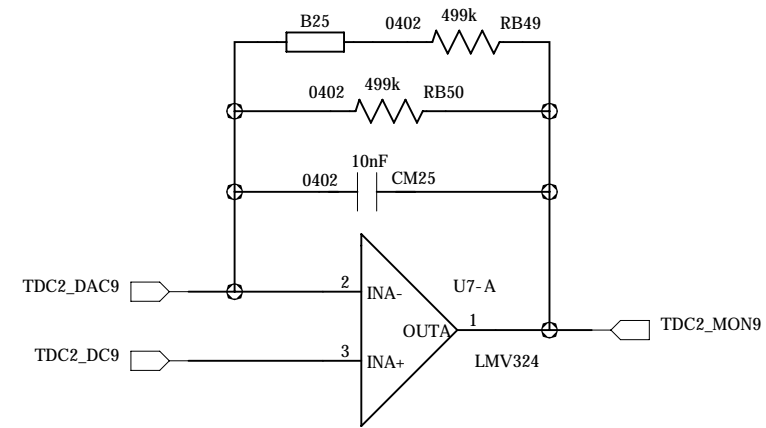
4

3

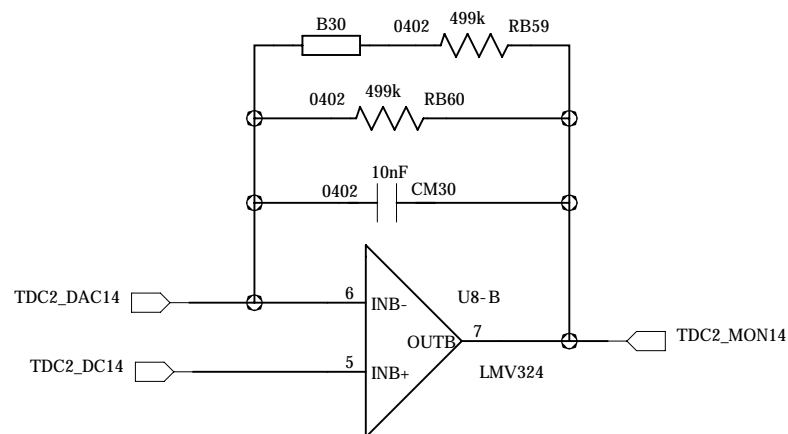
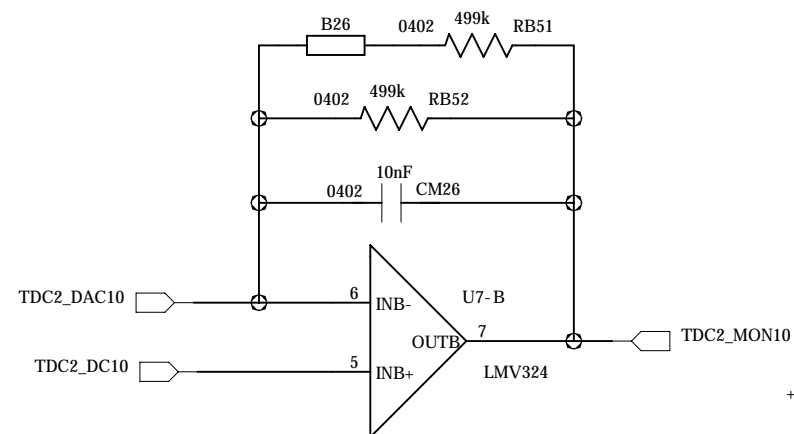
2

1

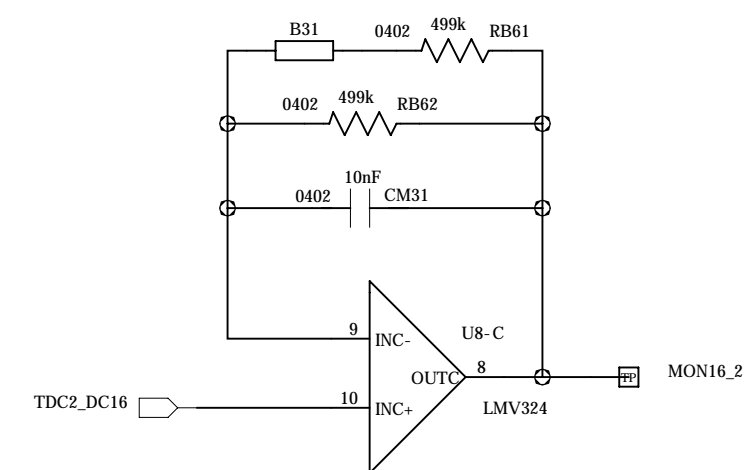
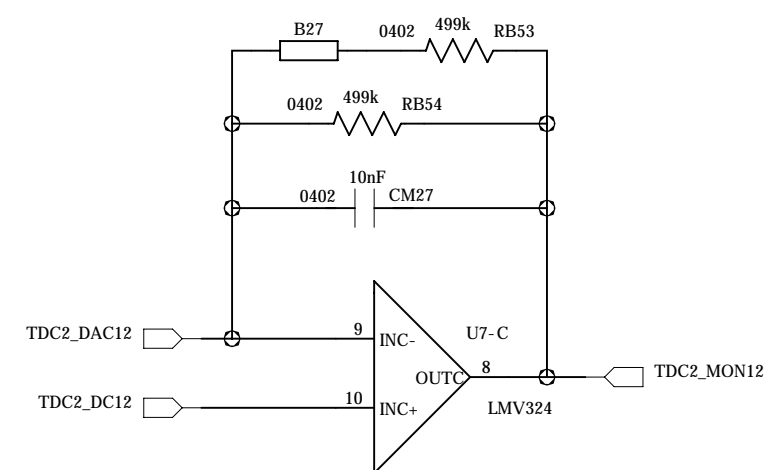
E



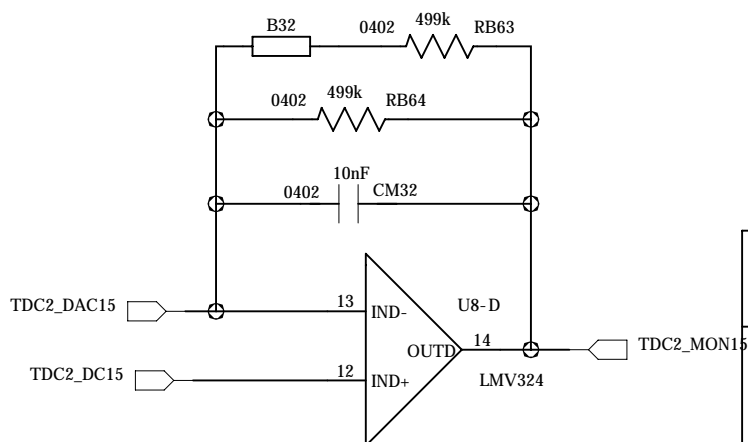
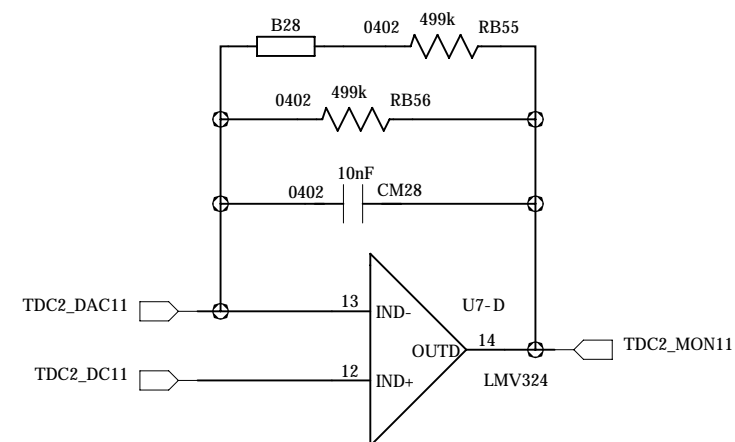
D



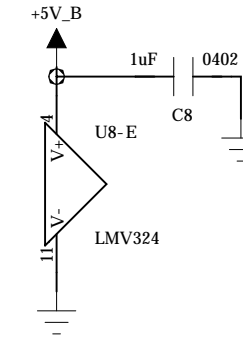
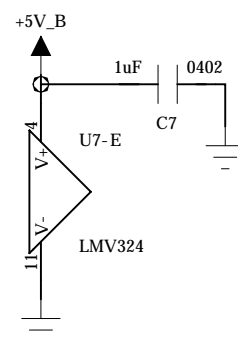
C



B



A



E

D

C

B

A

institution:	University of Hawaii at Manoa High Energy Physics Lab Instrumentation Development Lab
title:	KLM RHIC
revision:	C
IDLAB design #:	IDL_15_004
circuit design:	IDLAB
PCB design:	IDLAB
sheet #:	
sheet description:	
date last modified:	2015-06-16

6

5

4

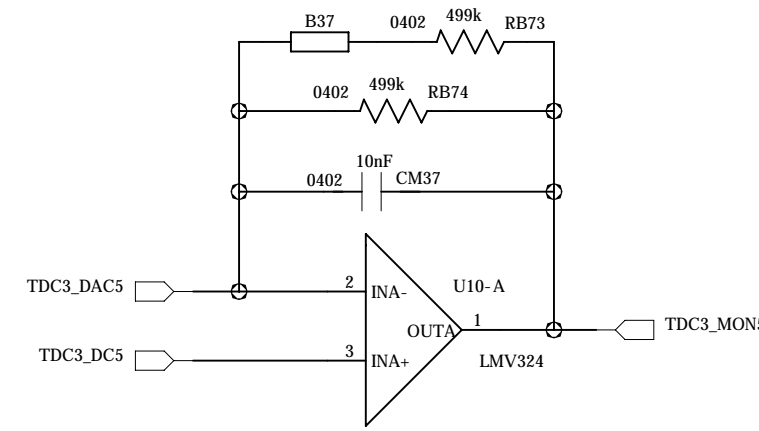
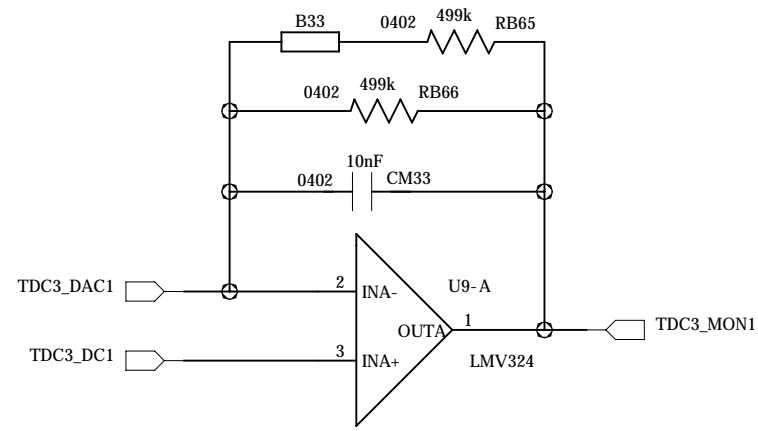
3

2

1

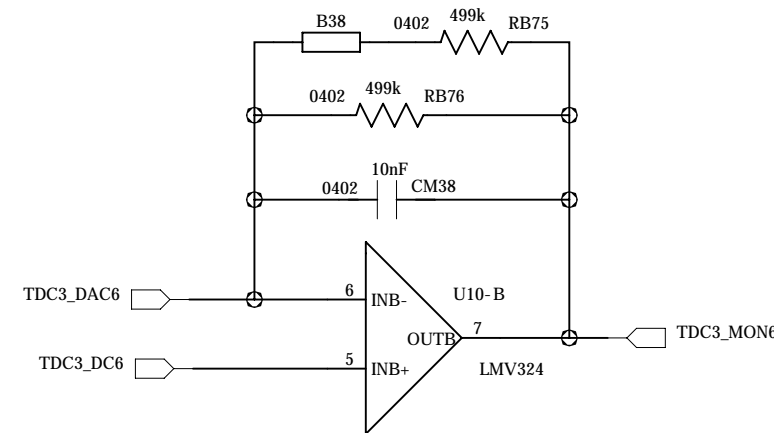
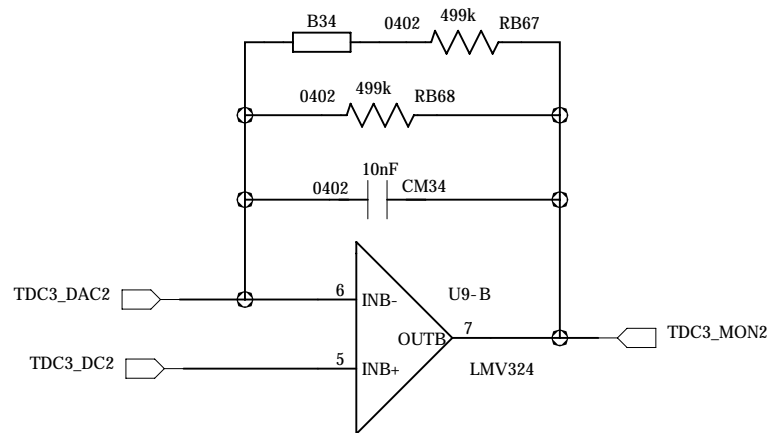
E

E



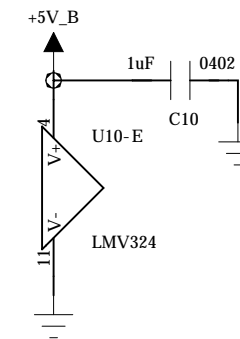
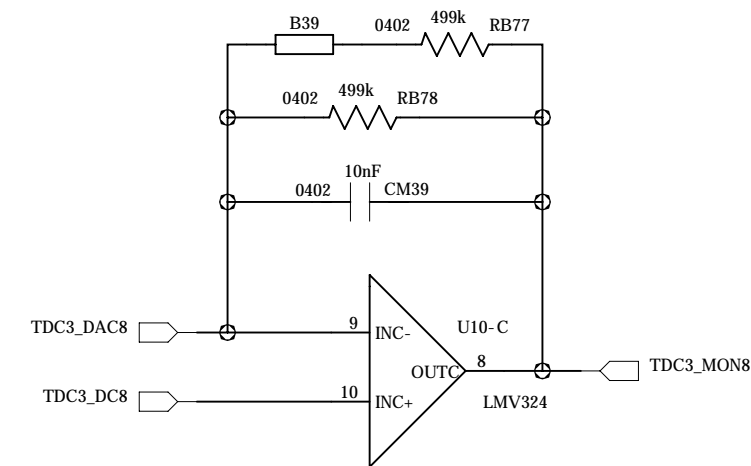
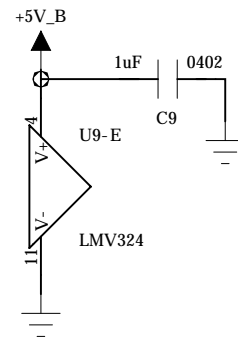
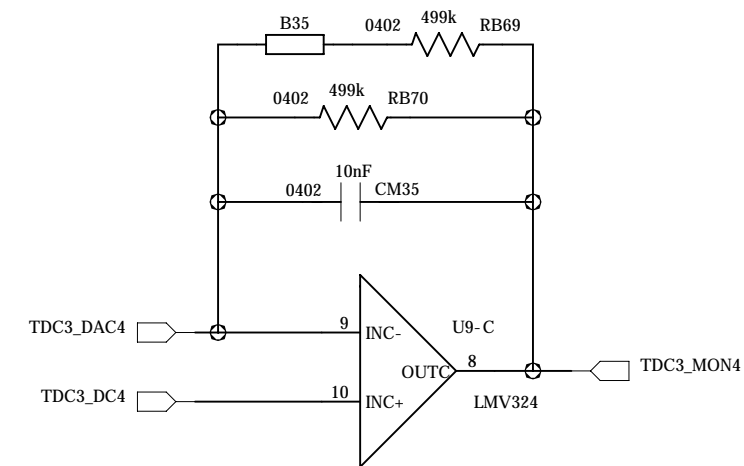
D

D



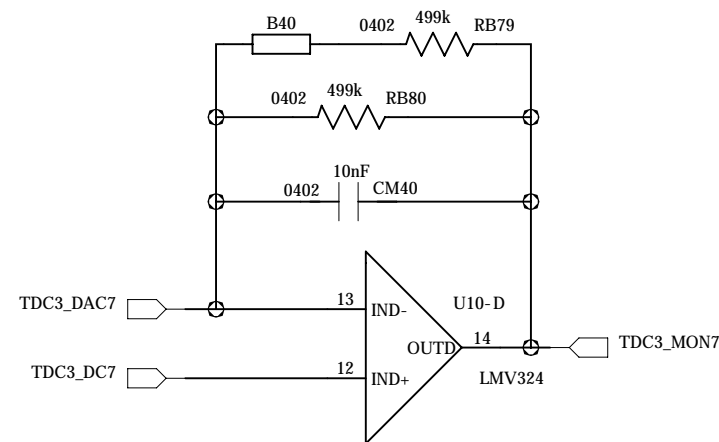
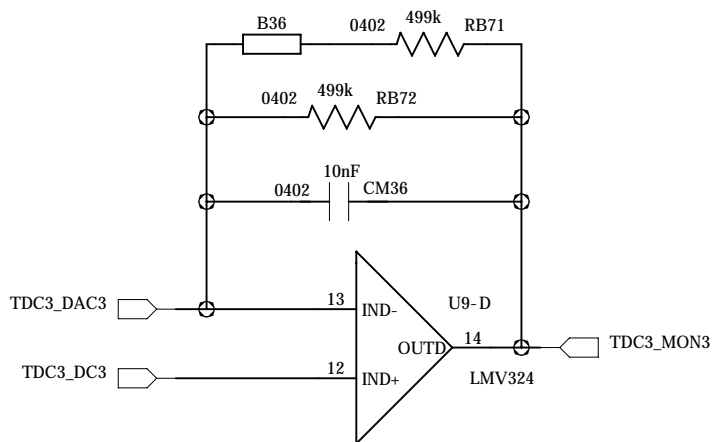
C

C



B

B



A

A

institution:	University of Hawaii at Manoa High Energy Physics Lab Instrumentation Development Lab
title:	KLM RHIC
revision:	C
IDLAB design #:	IDL_15_004
circuit design:	IDLAB
PCB design:	IDLAB
sheet #:	
sheet description:	
date last modified:	2015-06-16

6

5

4

3

2

1

E

E

D

D

C

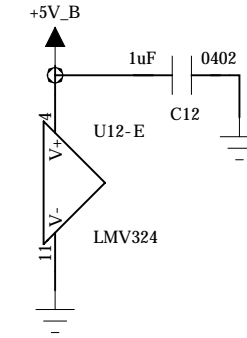
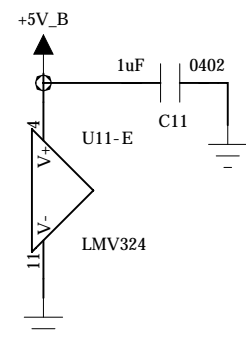
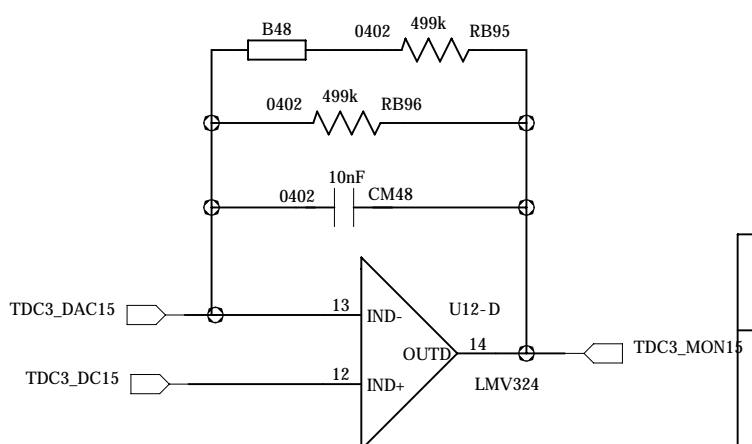
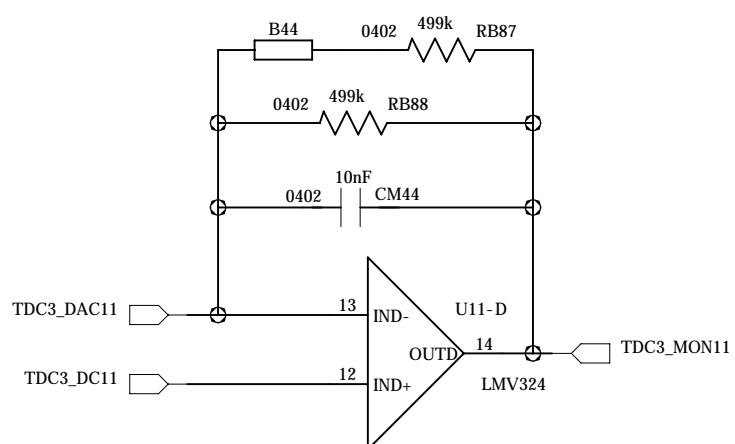
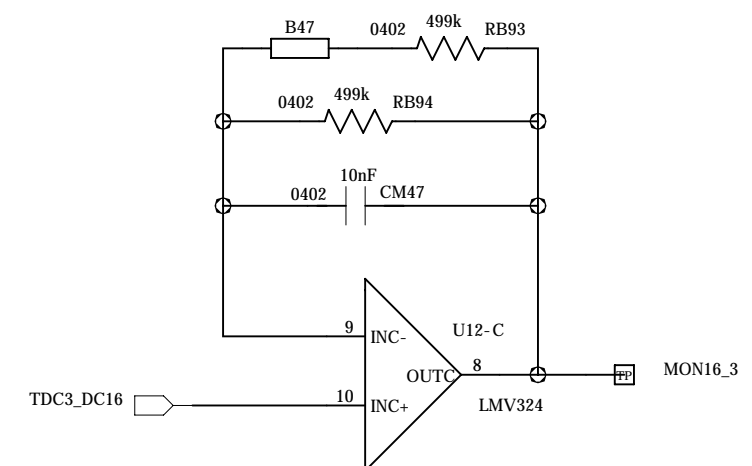
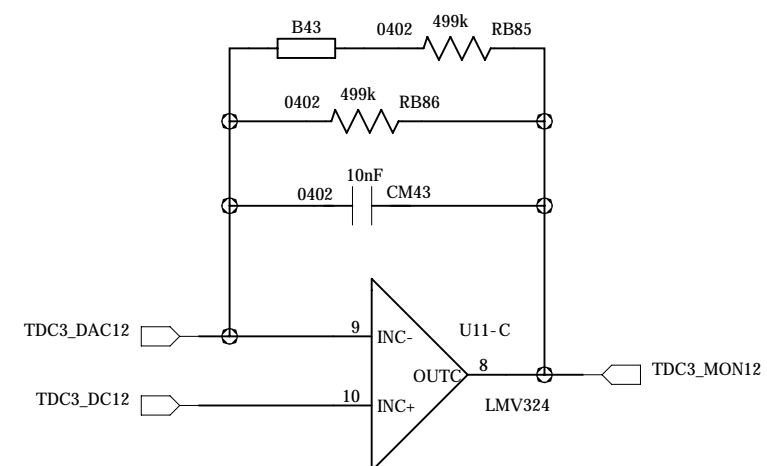
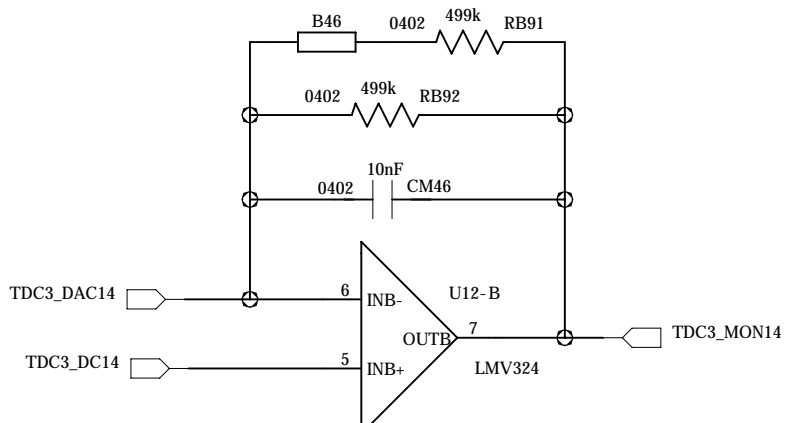
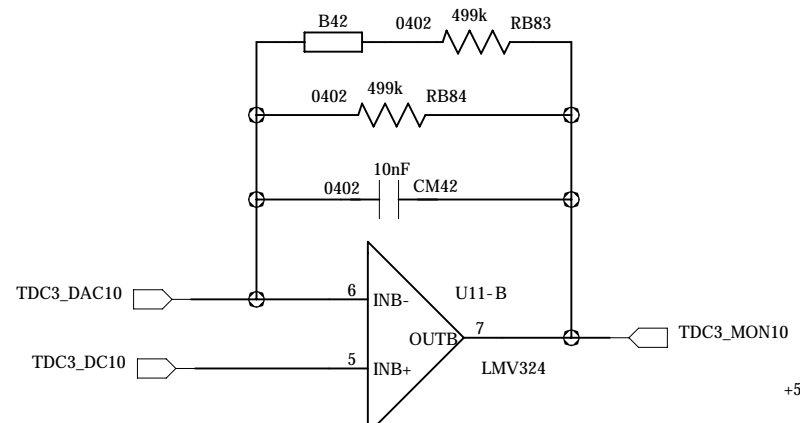
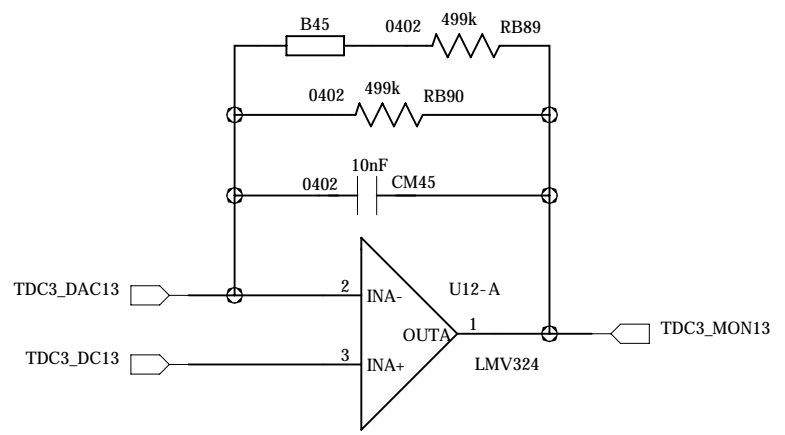
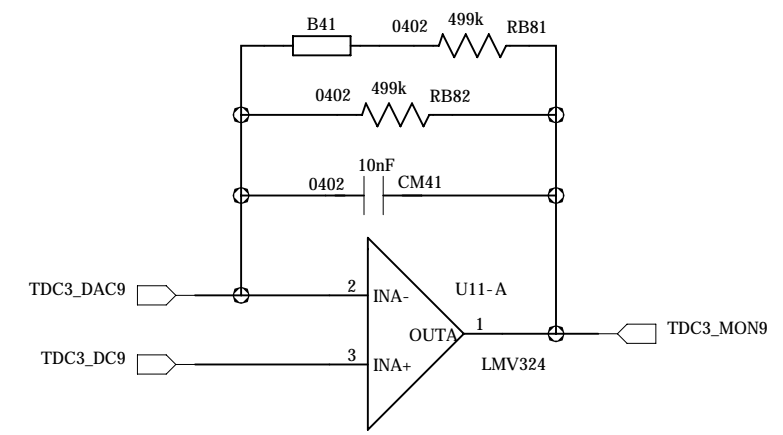
C

B

B

A

A



institution:	University of Hawaii at Manoa High Energy Physics Lab Instrumentation Development Lab
title:	KLM RHIC
revision:	C
IDLAB design #:	IDL 15_004
circuit design:	IDLAB
PCB design:	IDLAB
sheet #:	
sheet description:	
date last modified:	2015-06-16

6

5

4

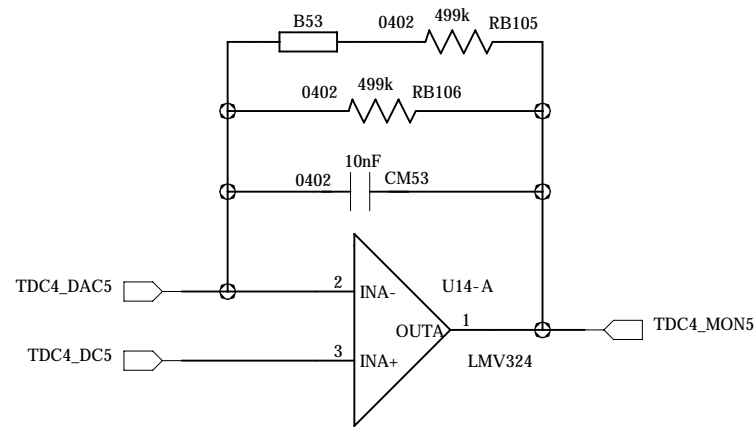
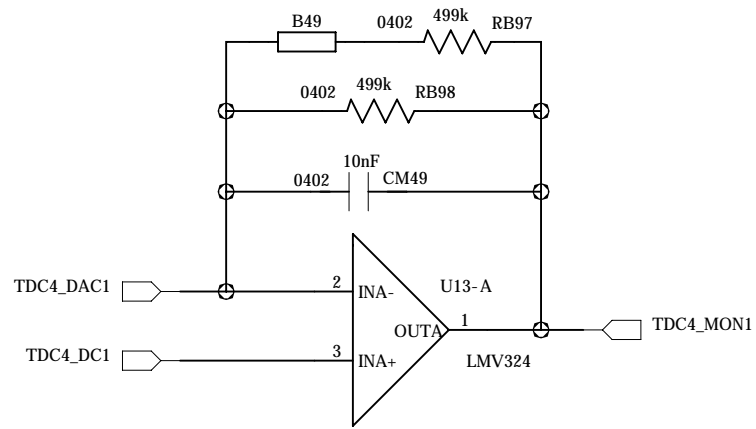
3

2

1

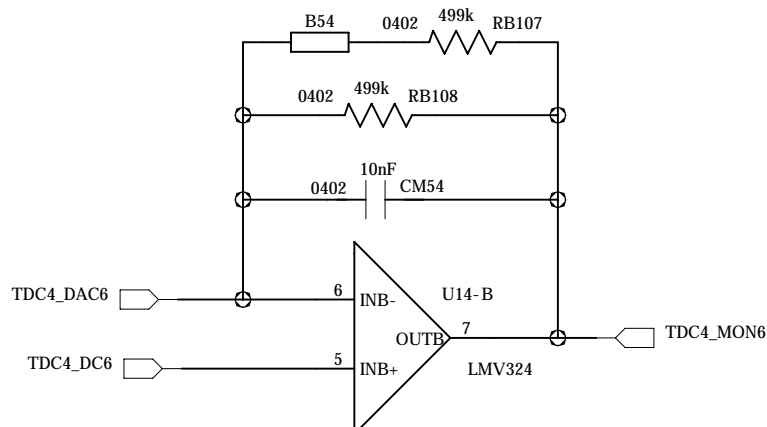
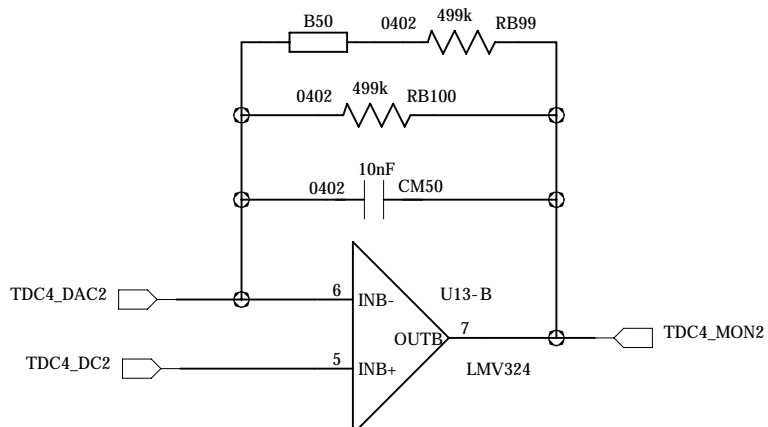
E

E



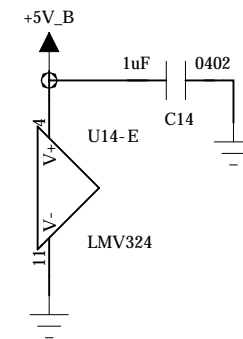
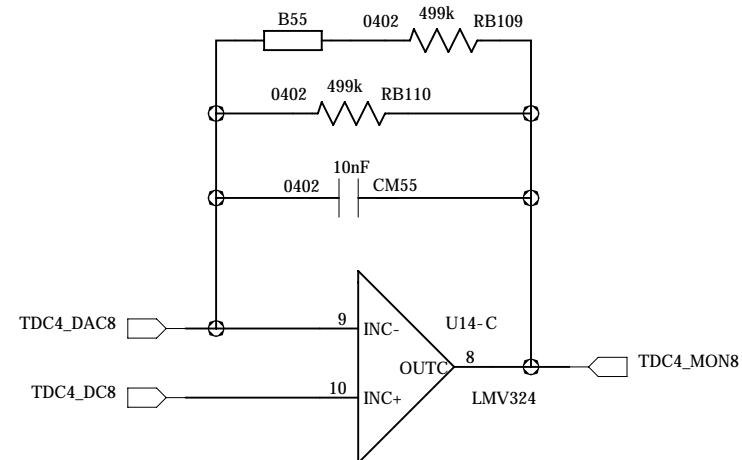
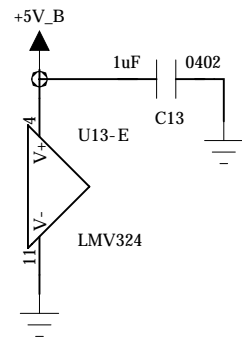
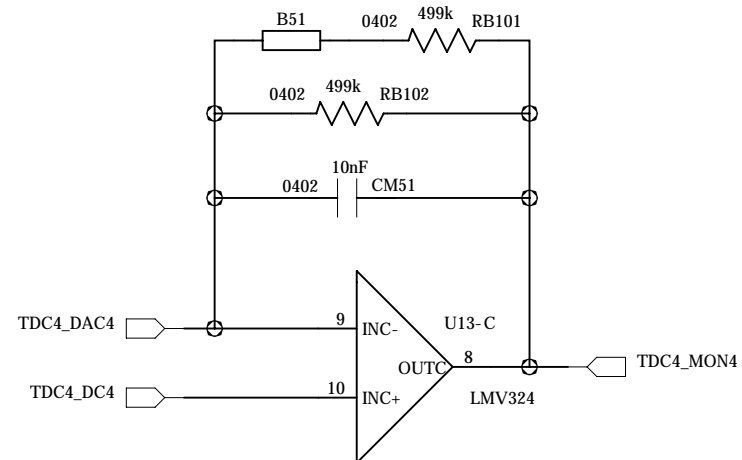
D

D



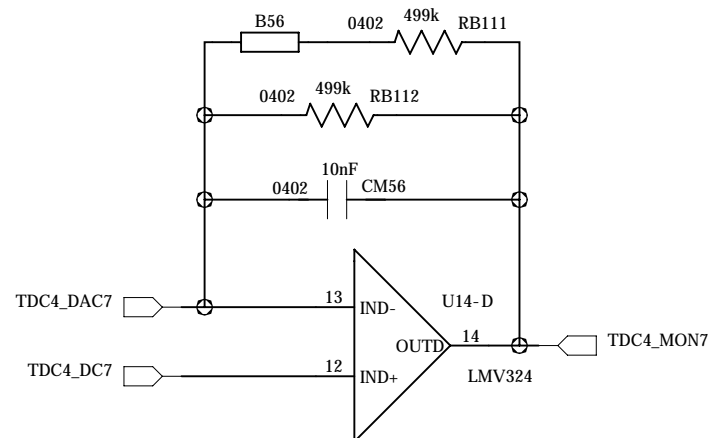
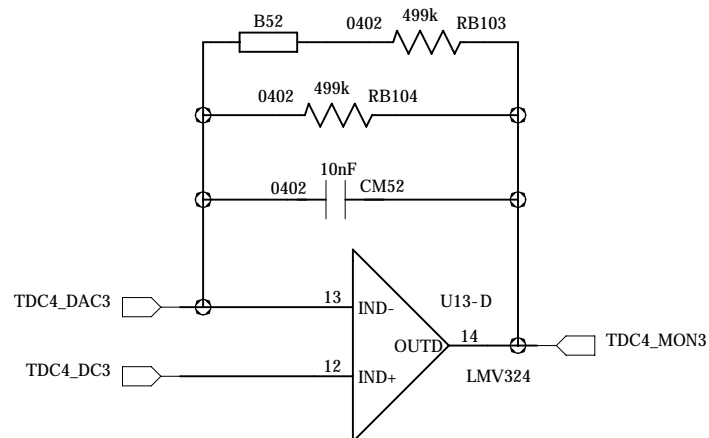
C

C



B

B



A

A

institution:	University of Hawaii at Manoa High Energy Physics Lab Instrumentation Development Lab
title:	KLM RHIC
revision:	C
IDLAB design #:	IDL_15_004
circuit design:	IDLAB
PCB design:	IDLAB
sheet #:	
sheet description:	
date last modified:	2015-06-16

6

5

4

3

2

1

E

E

D

D

C

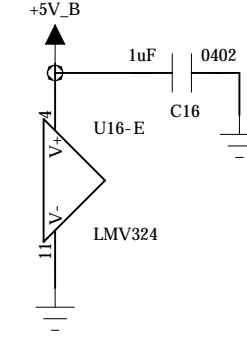
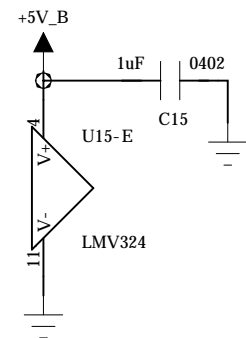
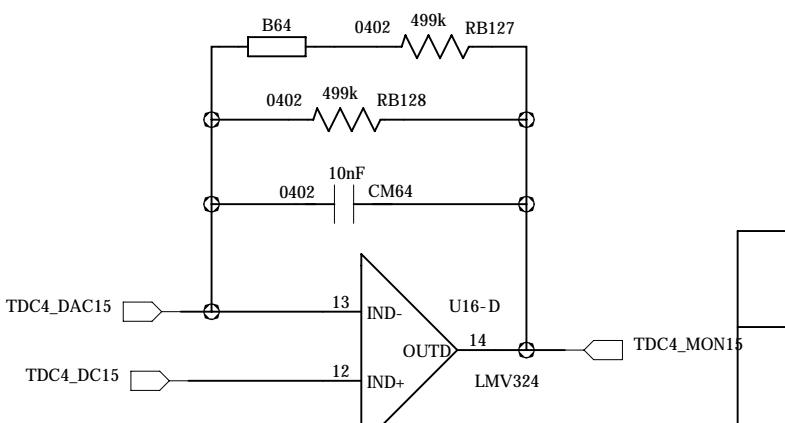
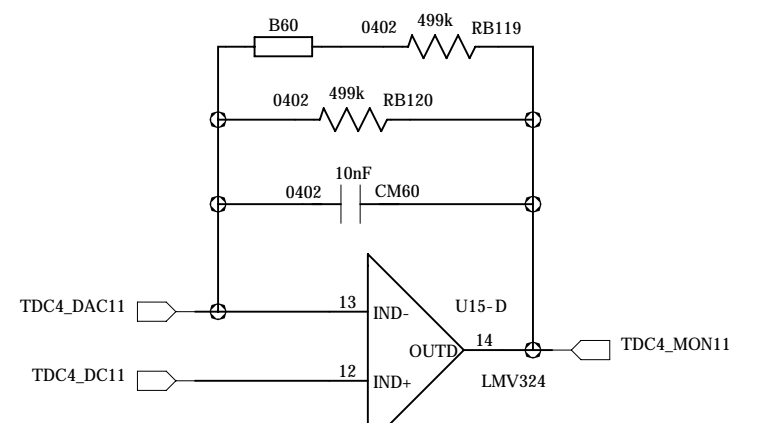
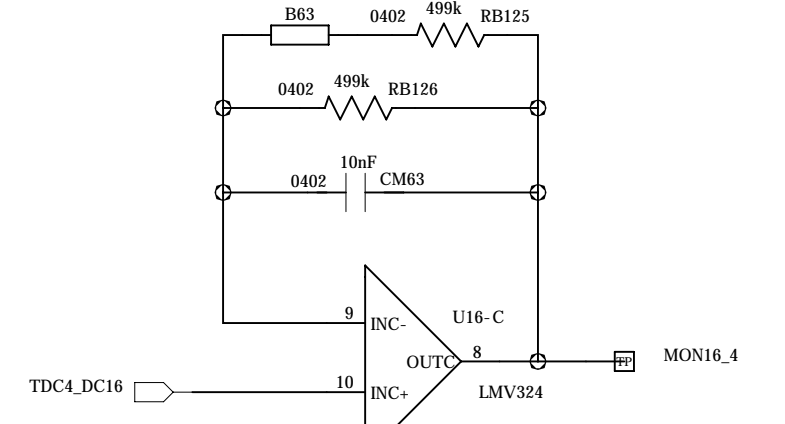
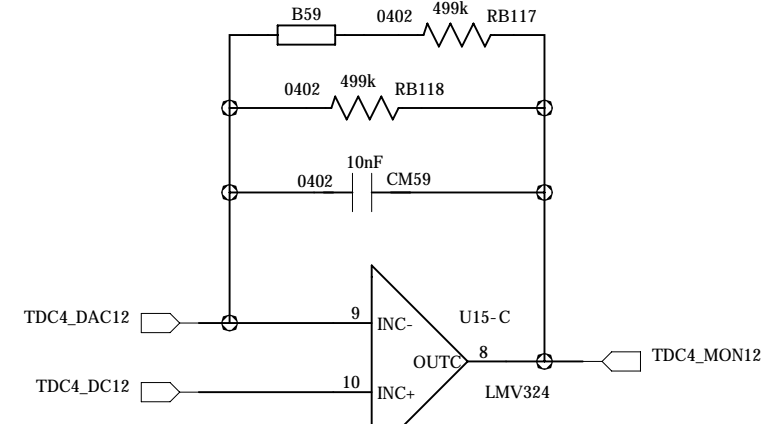
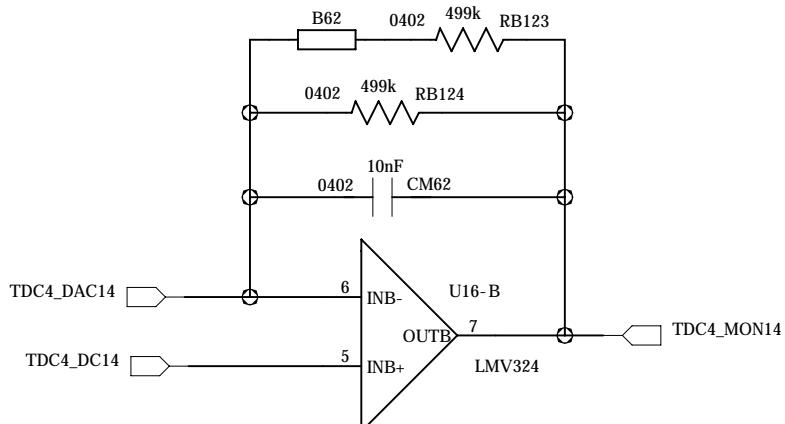
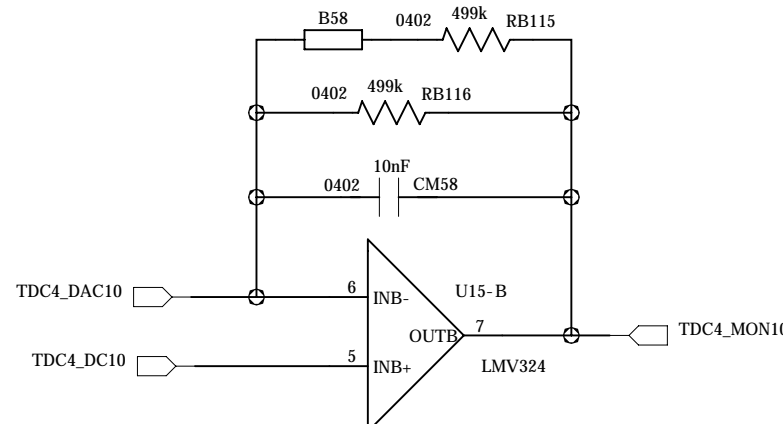
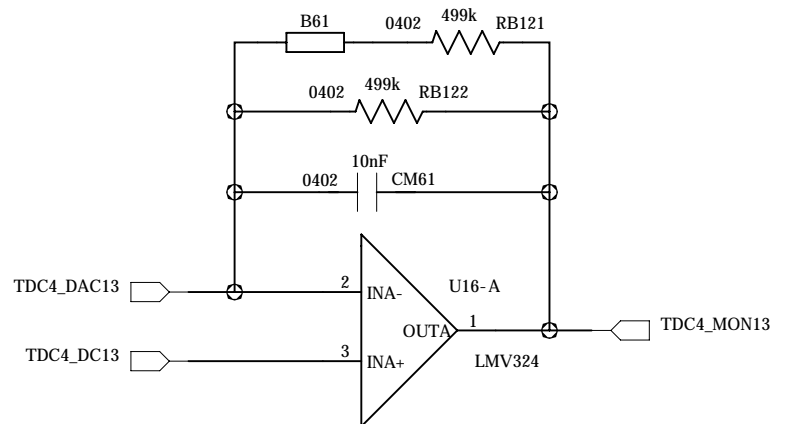
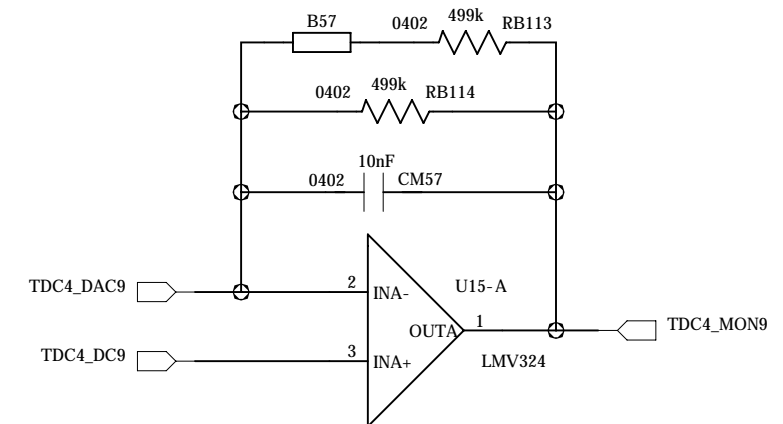
C

B

B

A

A



institution:	University of Hawaii at Manoa High Energy Physics Lab Instrumentation Development Lab
title:	KLM RHIC
revision:	C
IDLAB design #:	IDL_15_004
circuit design:	IDLAB
PCB design:	IDLAB
sheet #:	
sheet description:	
date last modified:	2015-06-16

6

5

4

3

2

1

E

E

D

D

C

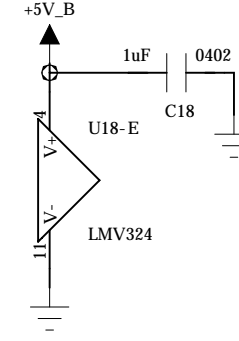
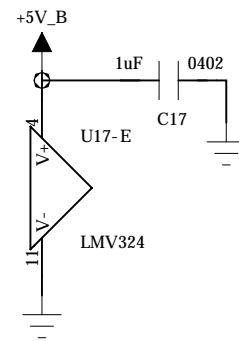
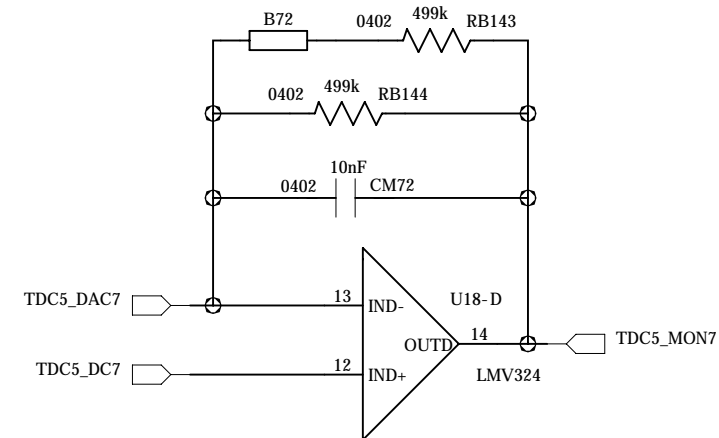
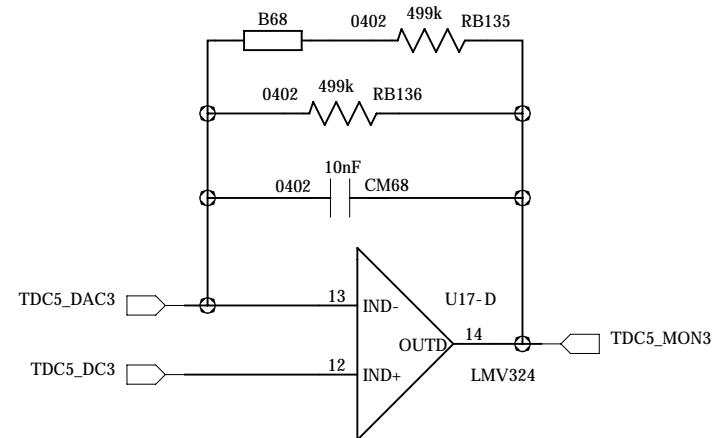
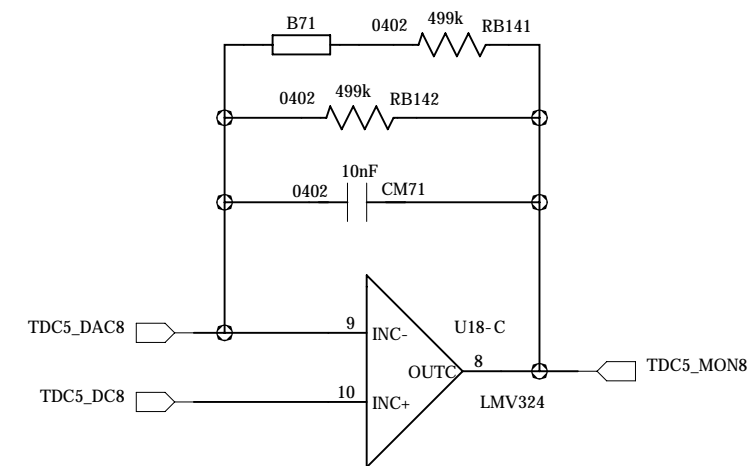
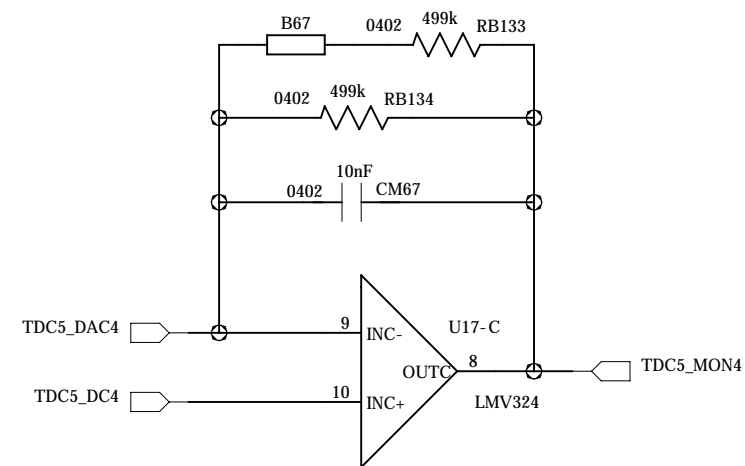
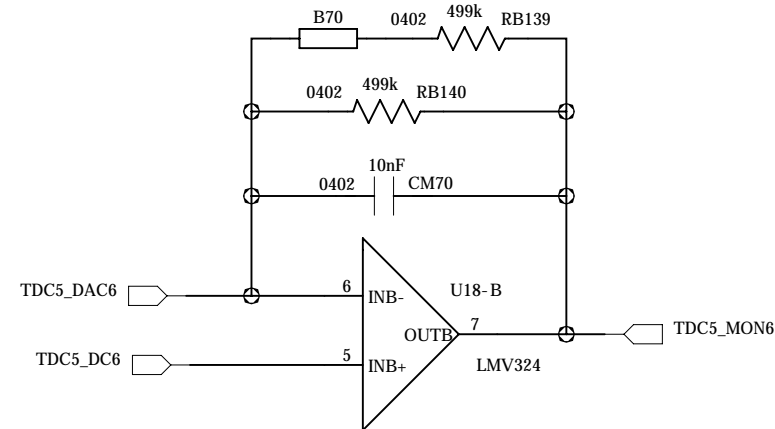
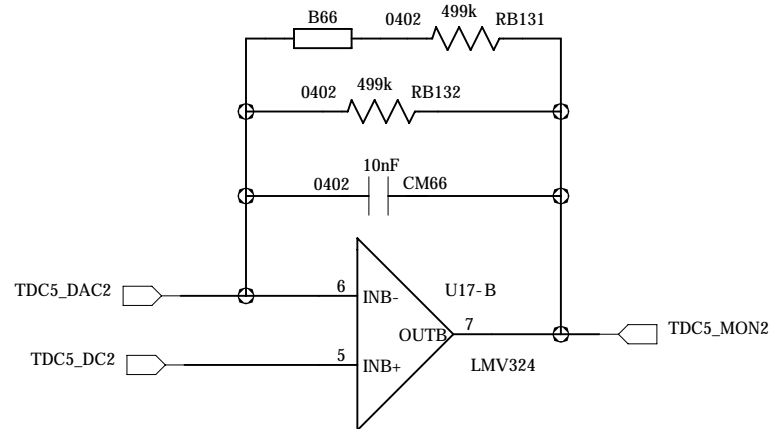
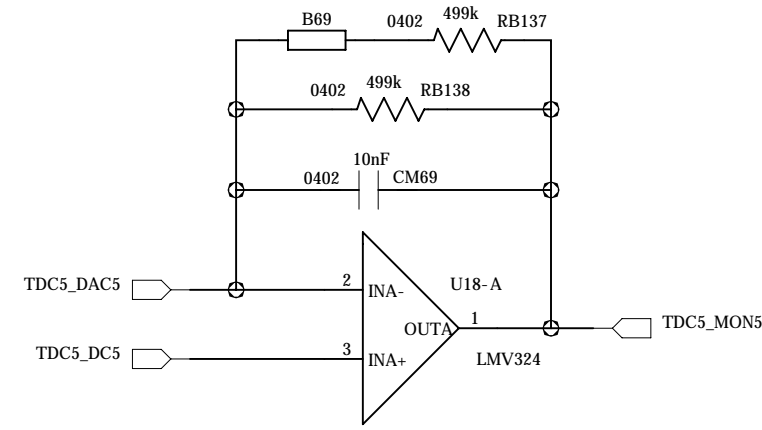
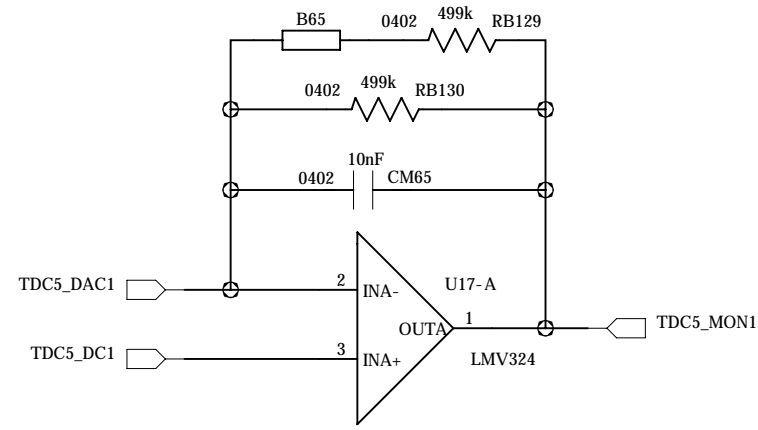
C

B

B

A

A



institution:	University of Hawaii at Manoa High Energy Physics Lab Instrumentation Development Lab
title:	KLM RHIC
revision:	C
IDLAB design #:	IDL_15_004
circuit design:	IDLAB
PCB design:	IDLAB
sheet #:	
sheet description:	
date last modified:	2015-06-16

6

5

4

3

2

1

E

E

D

D

C

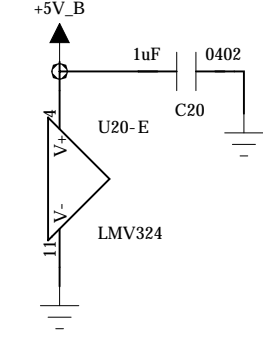
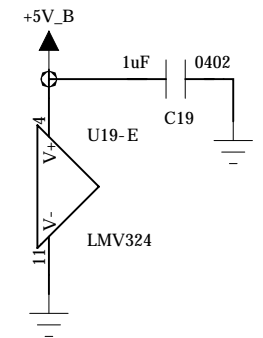
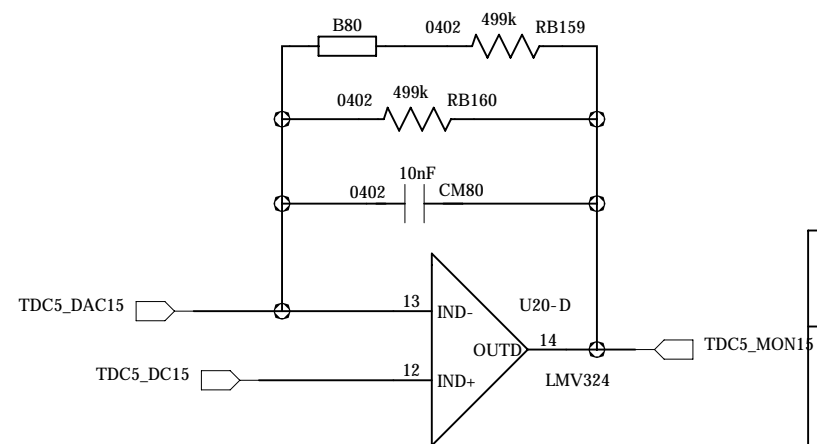
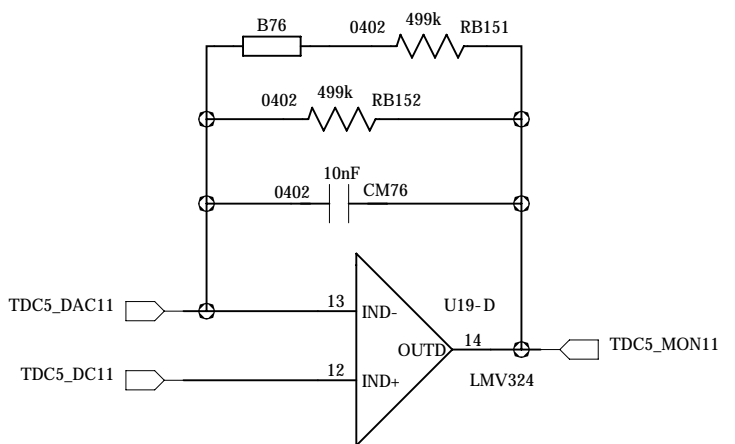
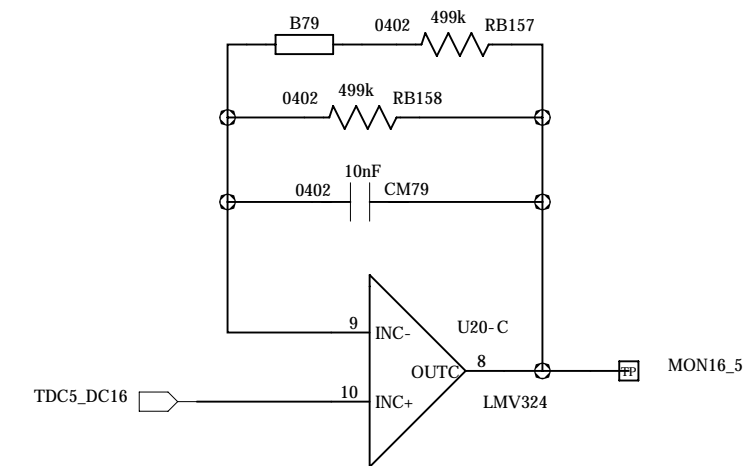
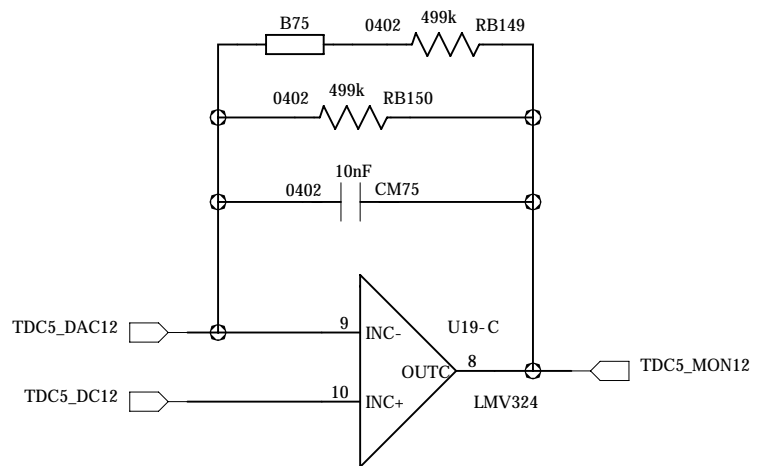
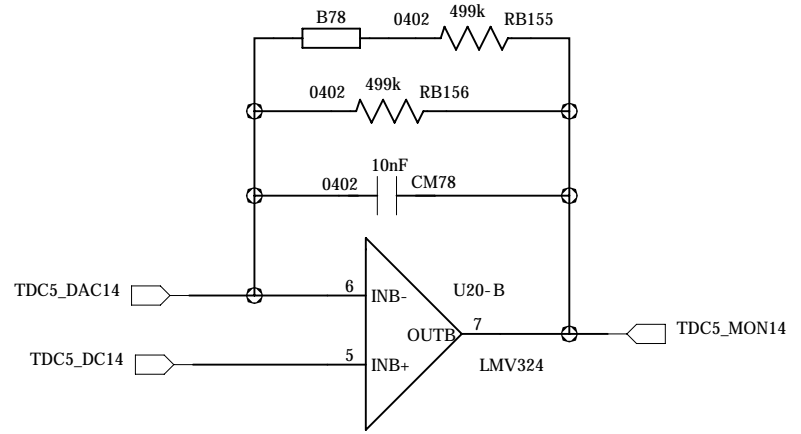
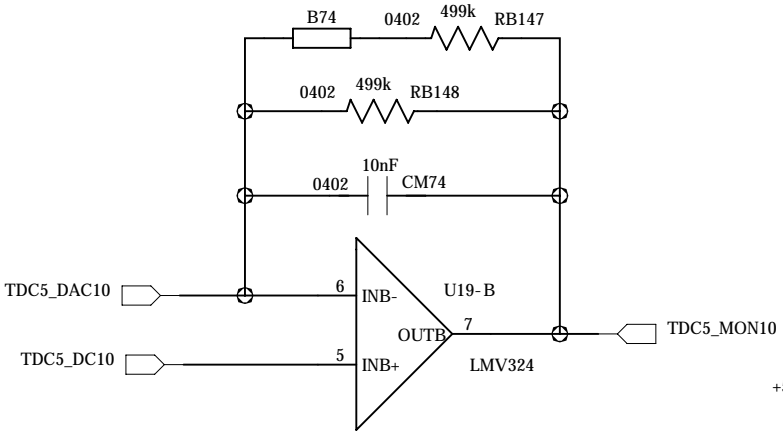
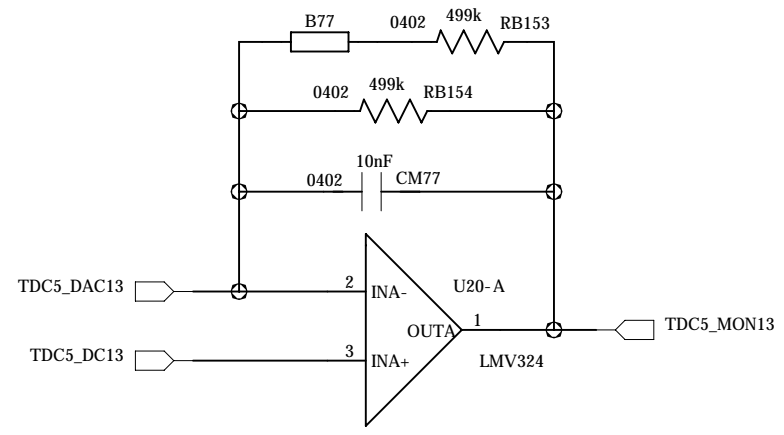
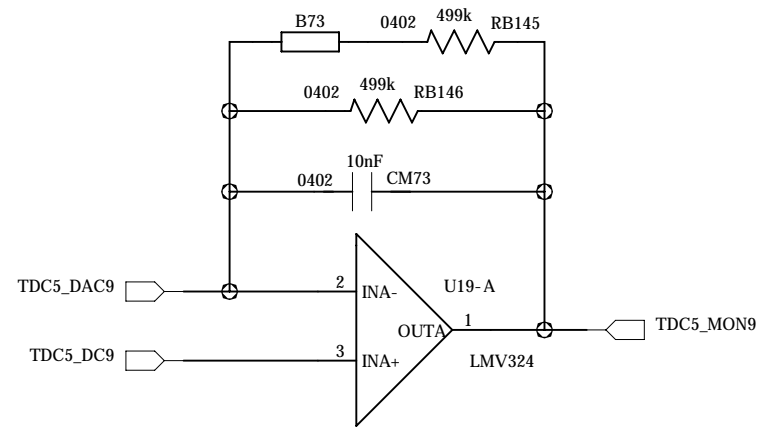
C

B

B

A

A



institution:	University of Hawaii at Manoa High Energy Physics Lab Instrumentation Development Lab
title:	KLM RHIC
revision:	C
IDLAB design #:	IDL_15_004
circuit design:	IDLAB
PCB design:	IDLAB
sheet #:	
sheet description:	
date last modified:	2015-06-16

6

5

4

3

2

1

E

E

D

D

C

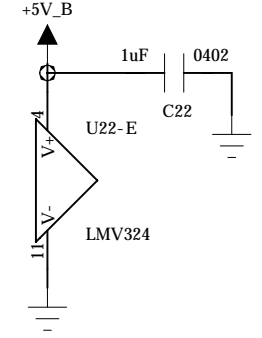
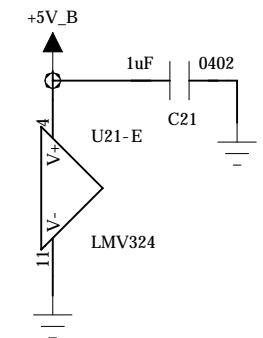
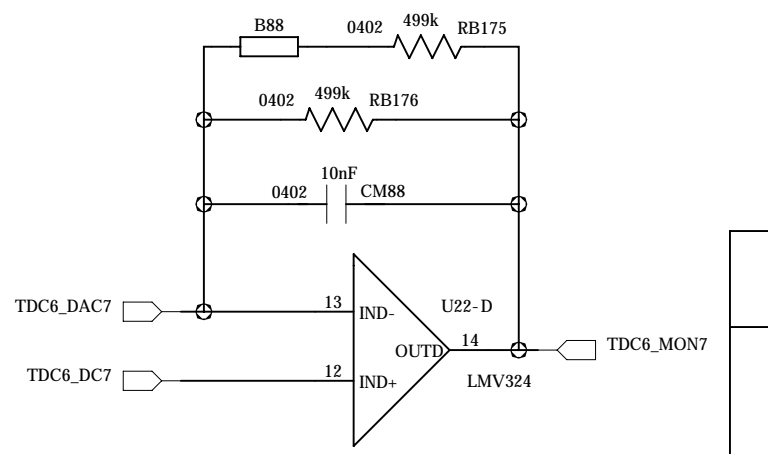
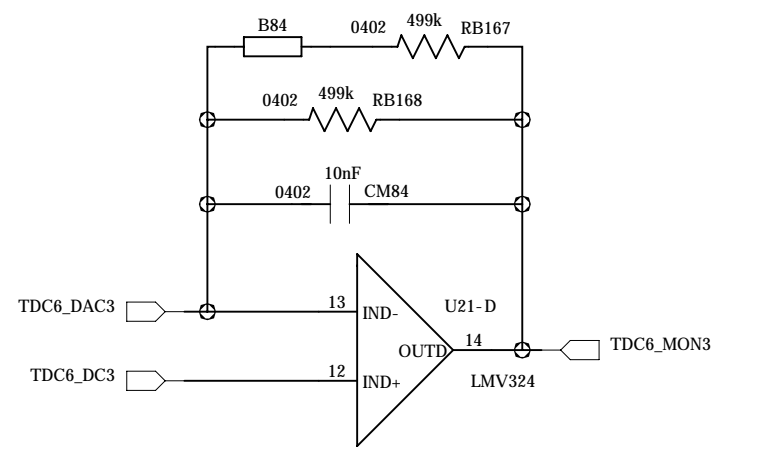
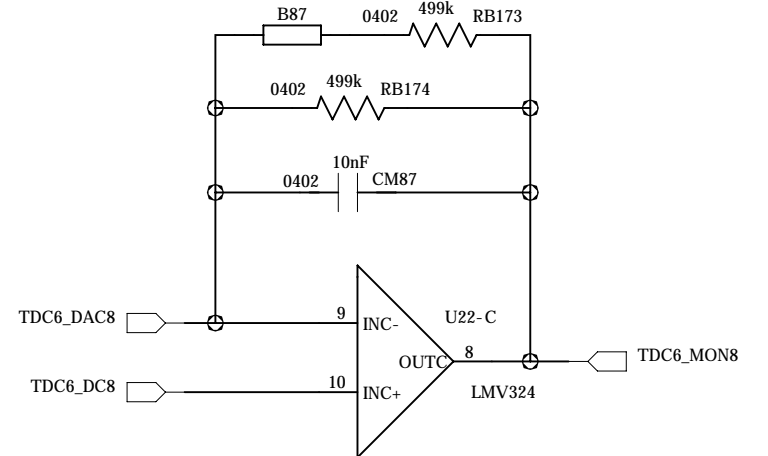
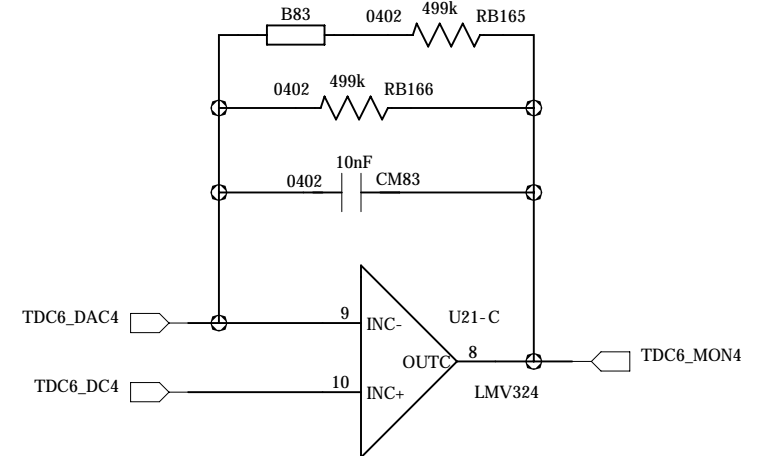
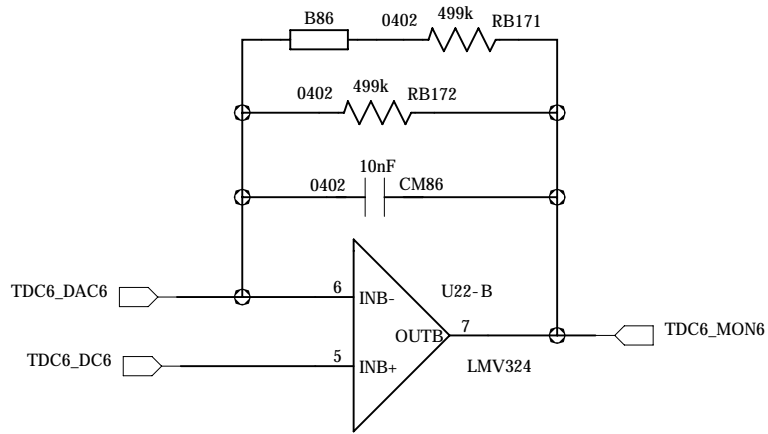
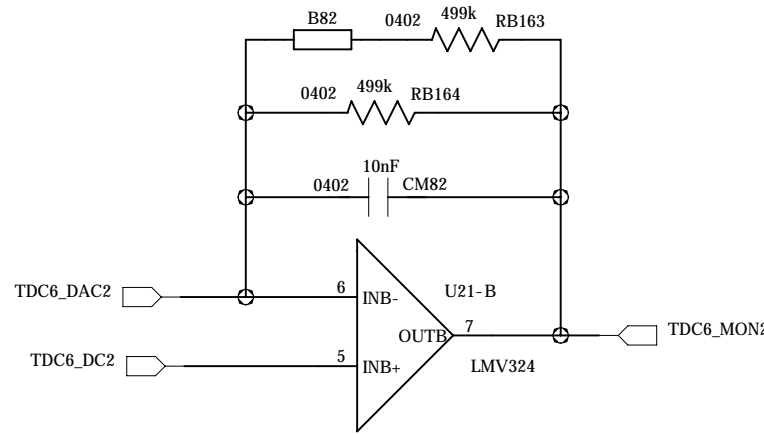
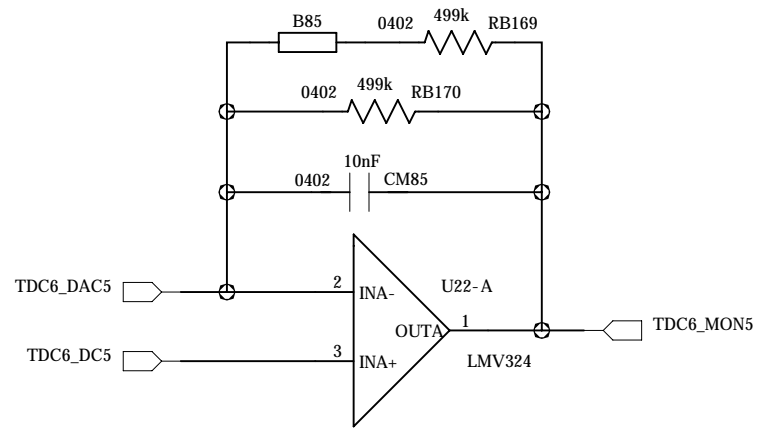
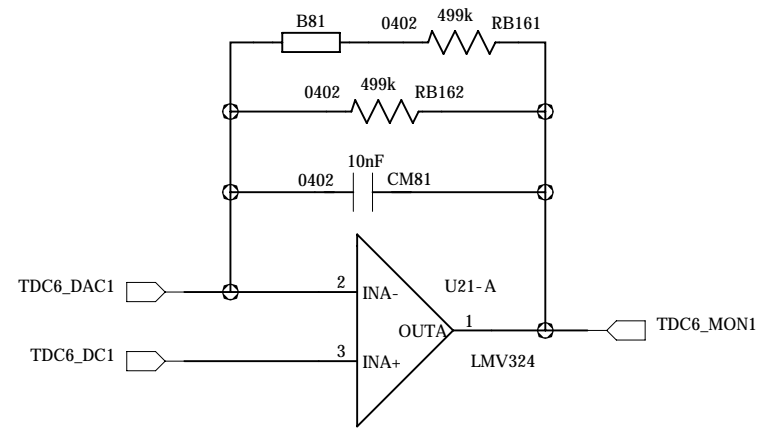
C

B

B

A

A



institution:	University of Hawaii at Manoa High Energy Physics Lab Instrumentation Development Lab
title:	KLM RHIC
revision:	C
IDLAB design #:	IDL_15_004
circuit design:	IDLAB
PCB design:	IDLAB
sheet #:	
sheet description:	
date last modified:	2015-06-16

6

5

4

3

2

1

E

E

D

D

C

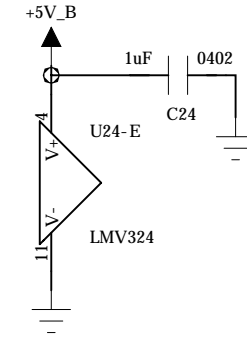
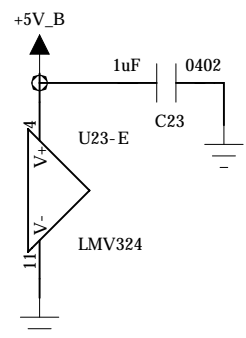
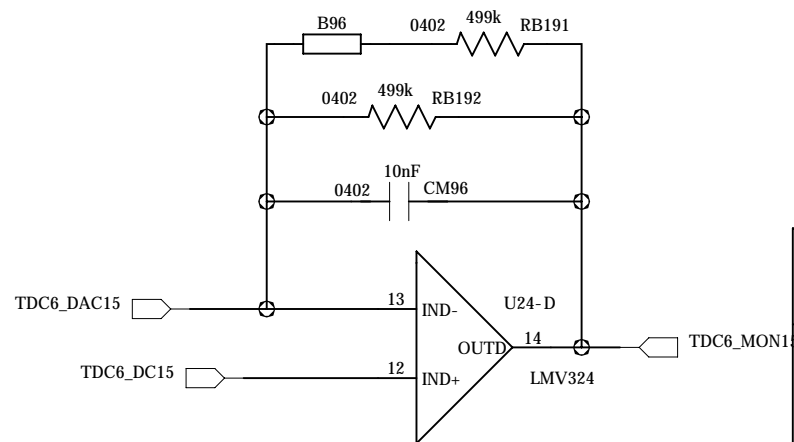
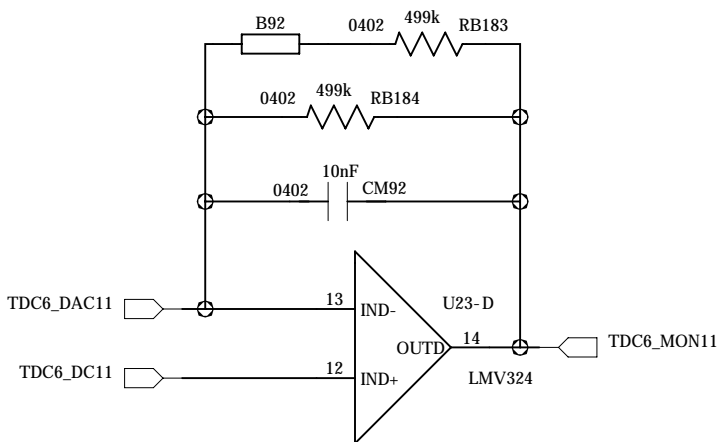
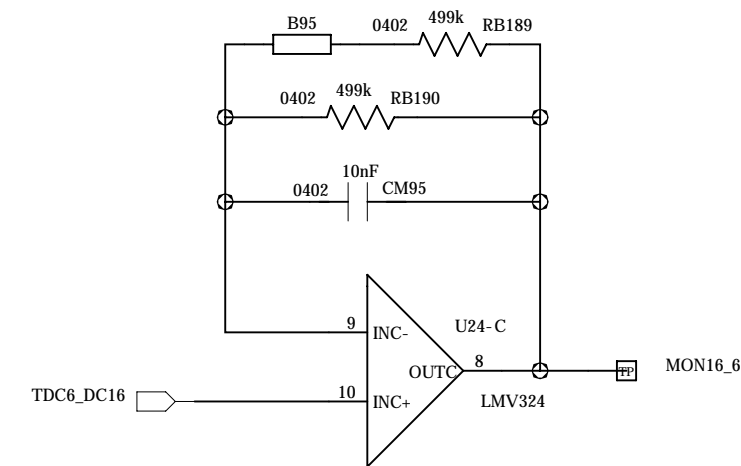
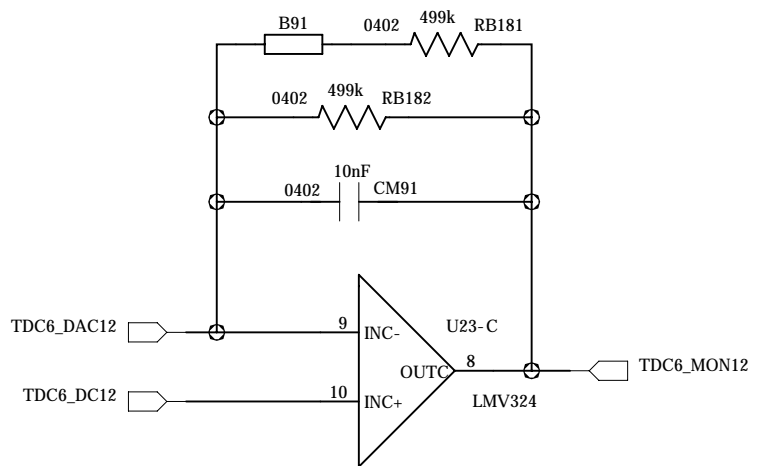
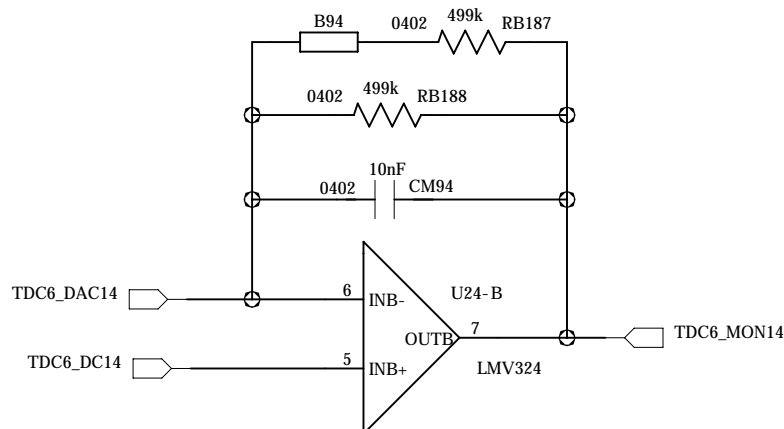
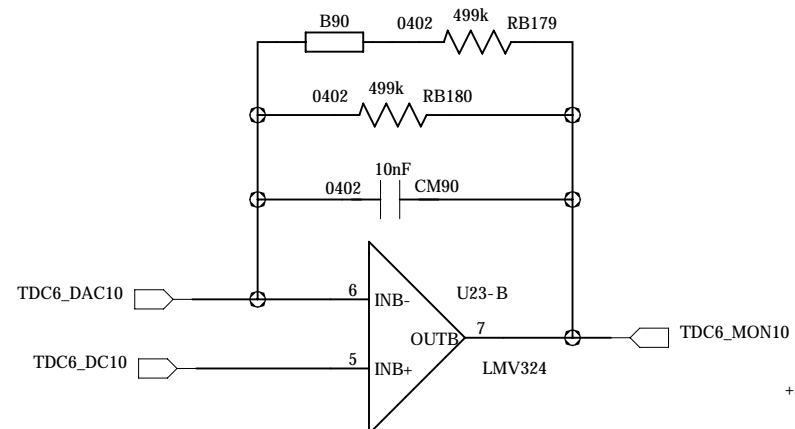
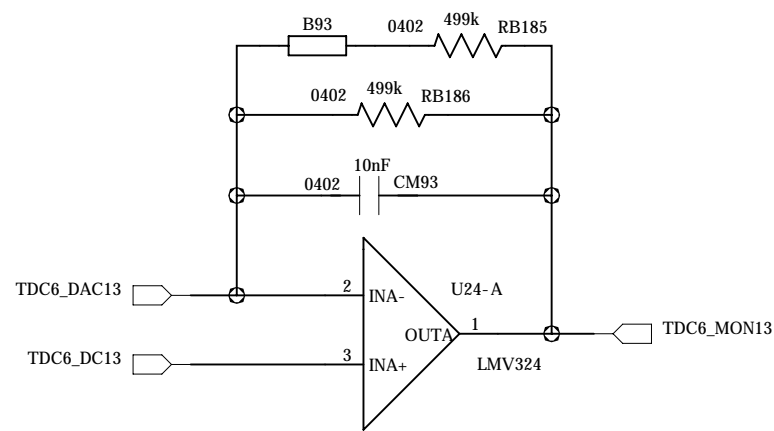
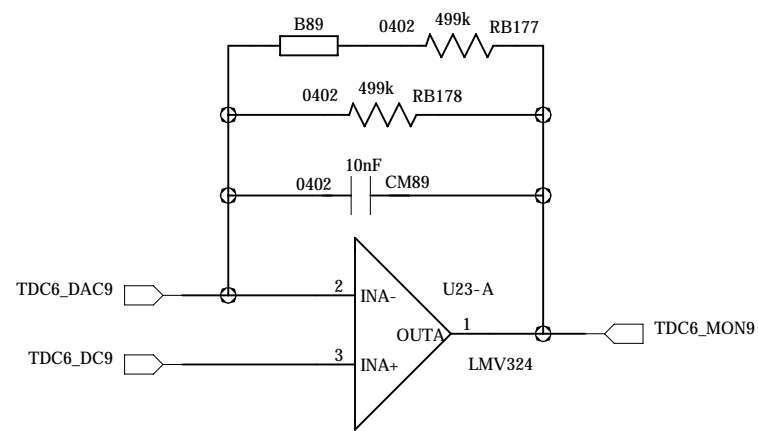
C

B

B

A

A



institution:	University of Hawaii at Manoa High Energy Physics Lab Instrumentation Development Lab
title:	KLM RHIC
revision:	C
IDLAB design #:	IDL 15_004
circuit design:	IDLAB
PCB design:	IDLAB
sheet #:	
sheet description:	
date last modified:	2015-06-16

6

5

4

3

2

1

E

E

D

D

C

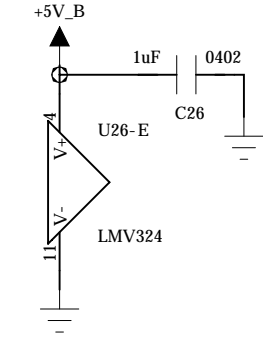
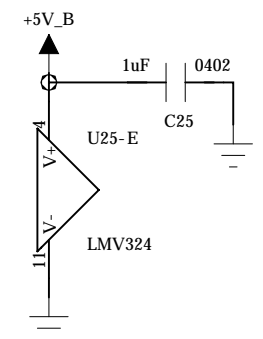
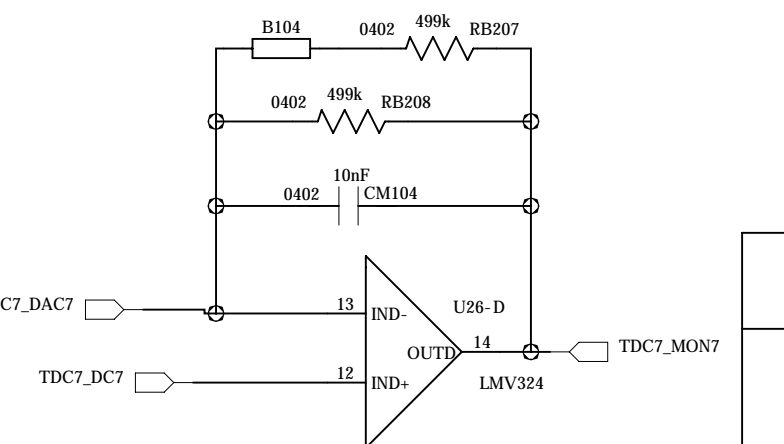
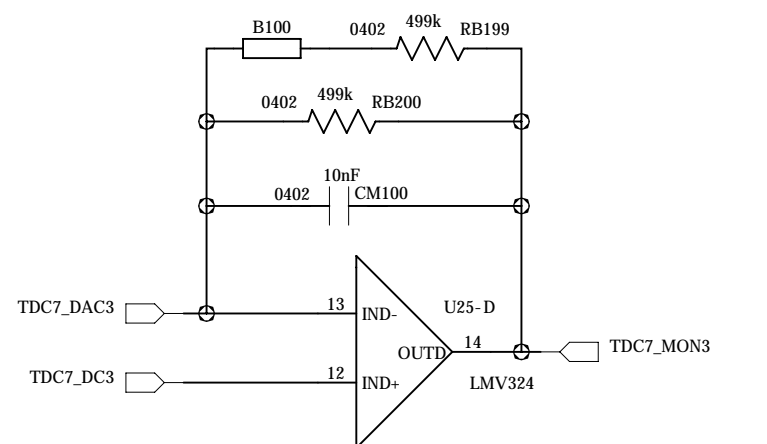
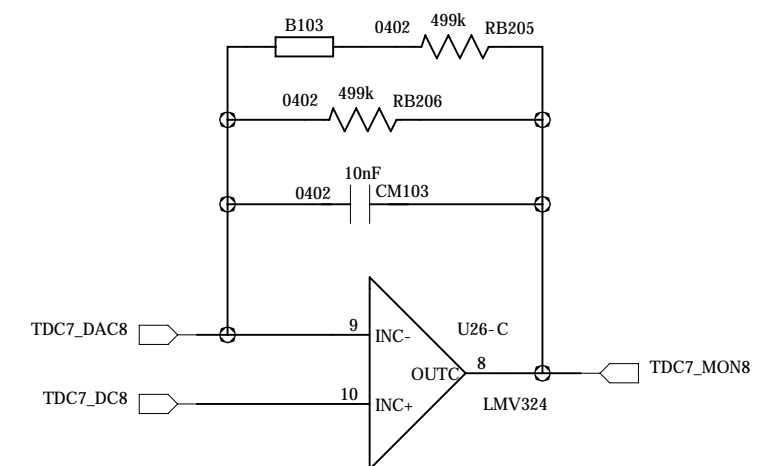
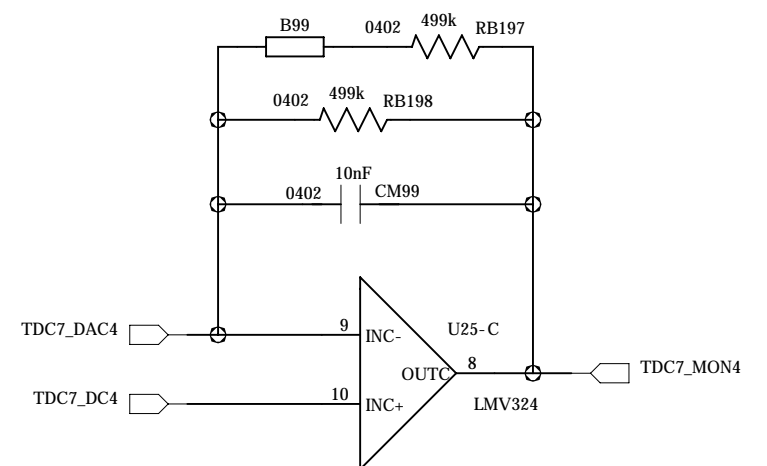
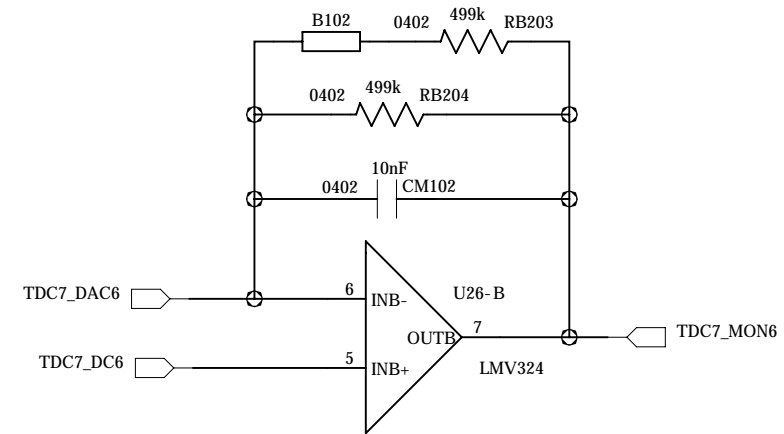
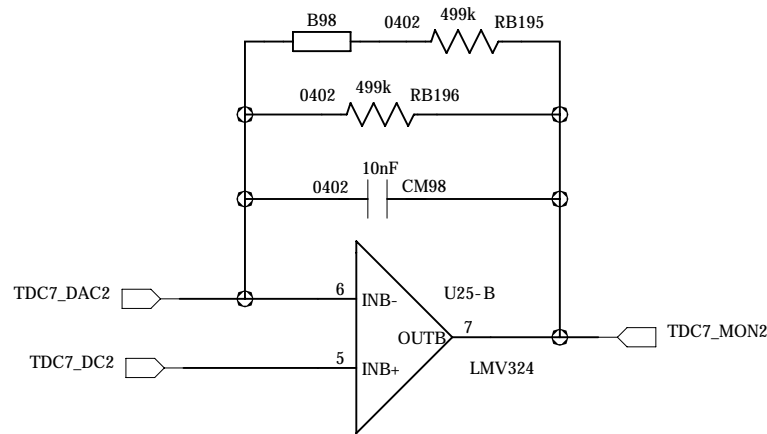
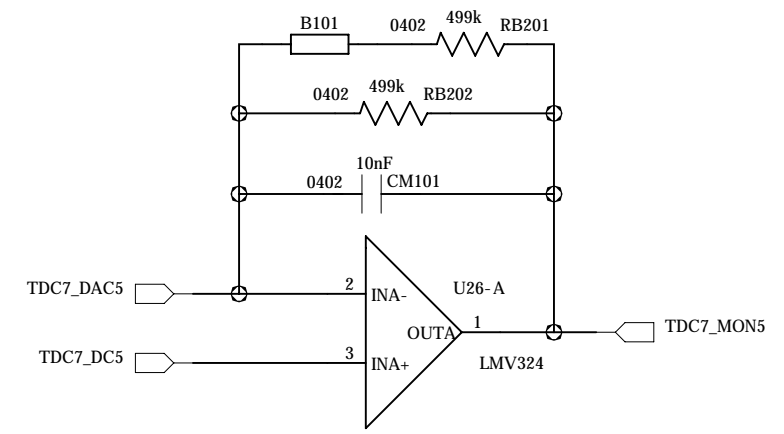
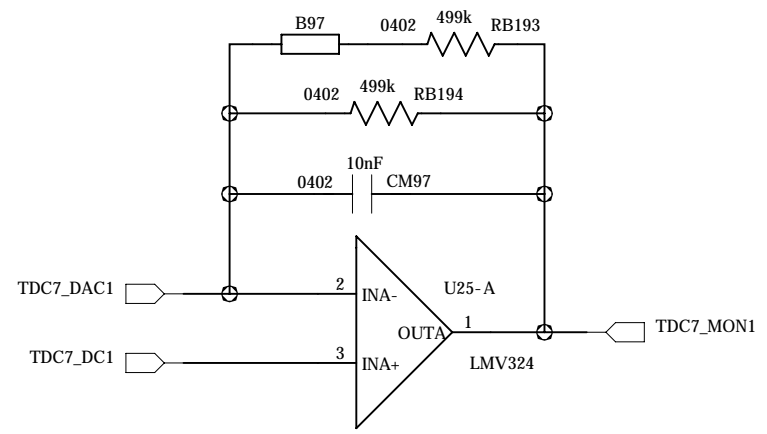
C

B

B

A

A



institution:	University of Hawaii at Manoa High Energy Physics Lab Instrumentation Development Lab
title:	KLM RHIC
revision:	C
IDLAB design #:	IDL_15_004
circuit design:	IDLAB
PCB design:	IDLAB
sheet #:	
sheet description:	
date last modified:	2015-06-16

6

5

4

3

2

1

E

E

D

D

C

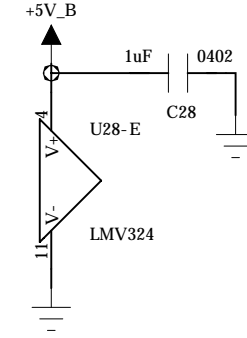
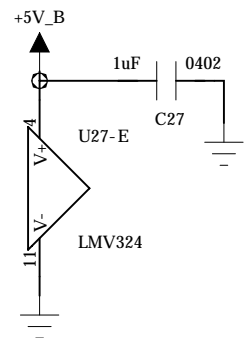
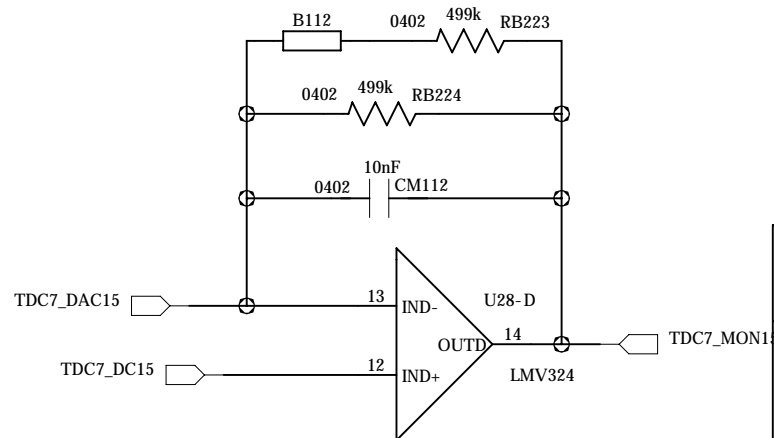
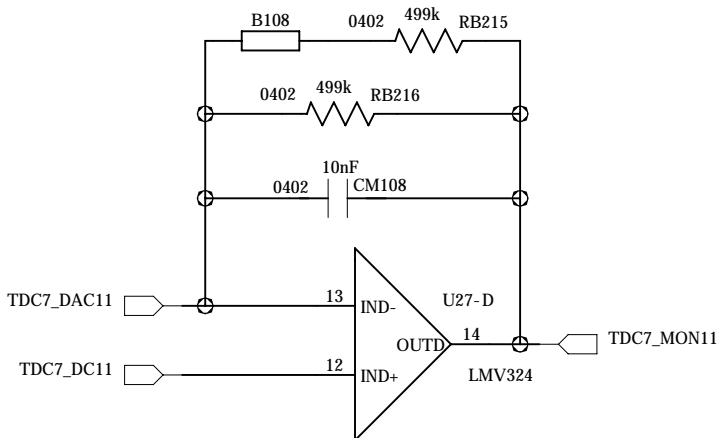
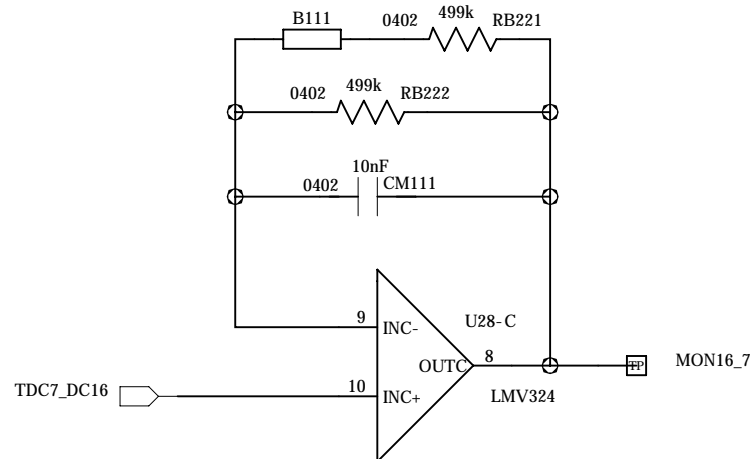
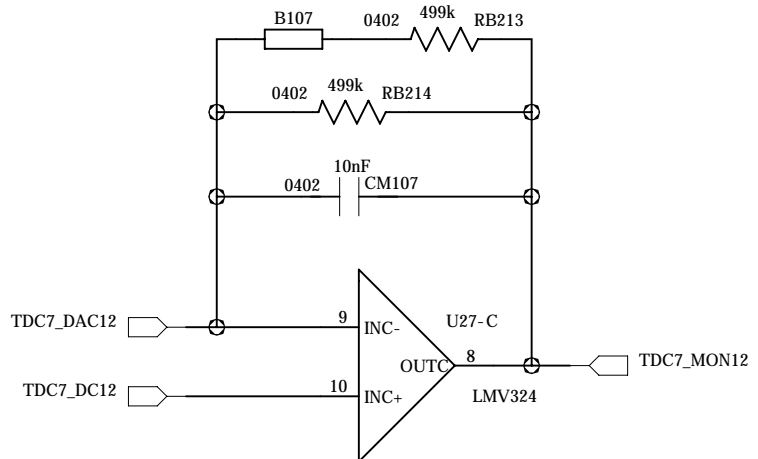
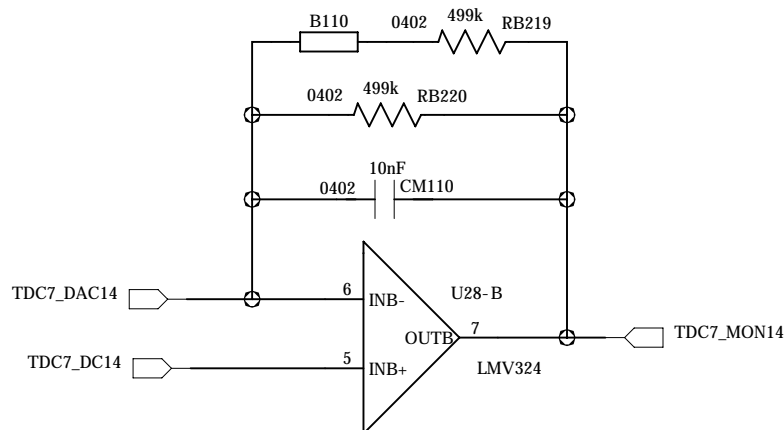
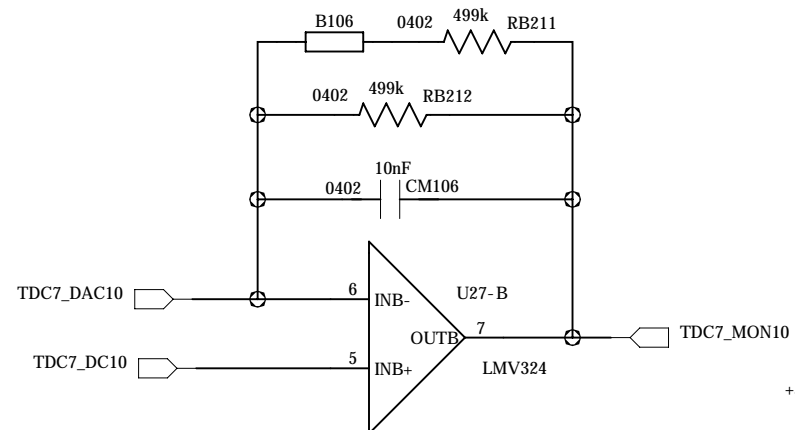
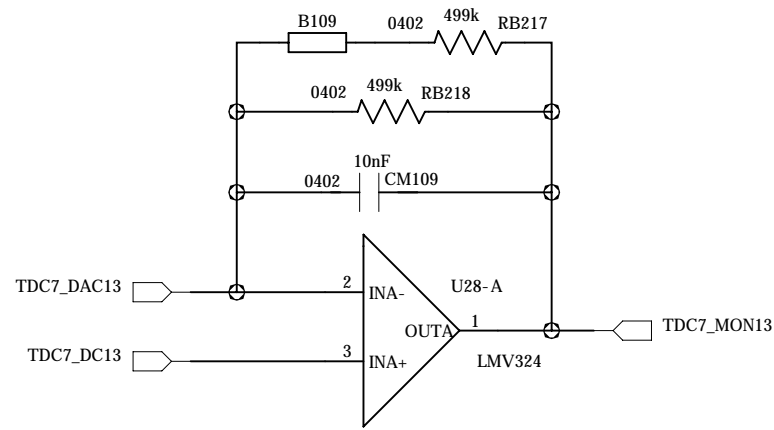
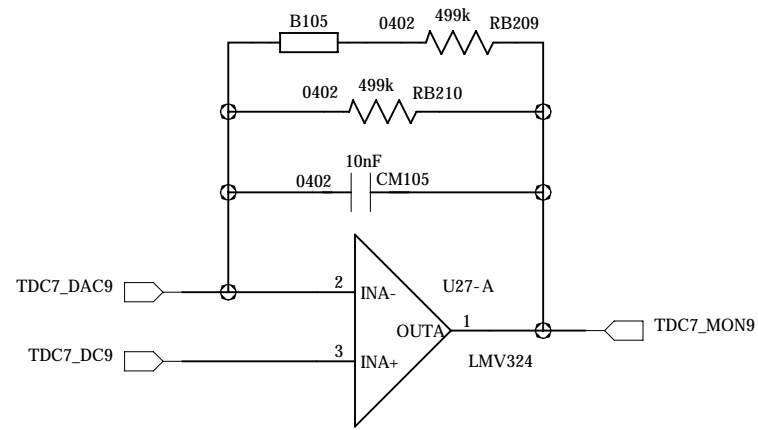
C

B

B

A

A



institution:	University of Hawaii at Manoa High Energy Physics Lab Instrumentation Development Lab
title:	KLM RHIC
revision:	C
IDLAB design #:	IDL 15_004
circuit design:	IDLAB
PCB design:	IDLAB
sheet #:	
sheet description:	
date last modified:	2015-06-16

6

5

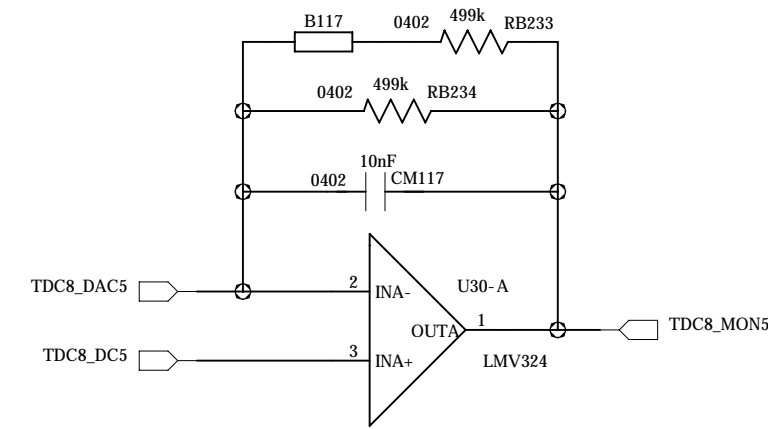
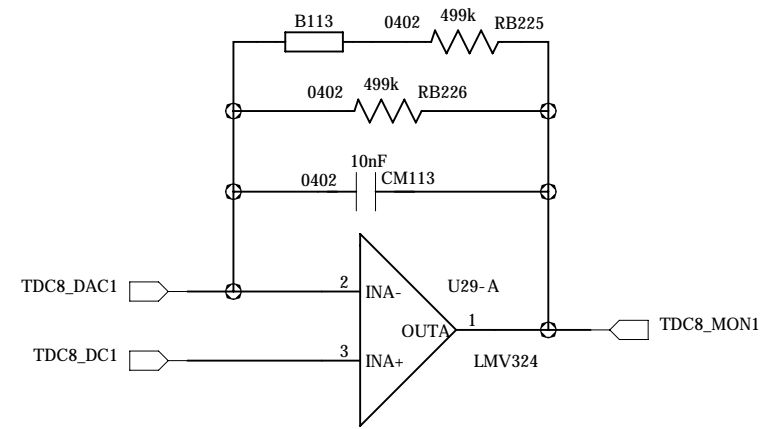
4

3

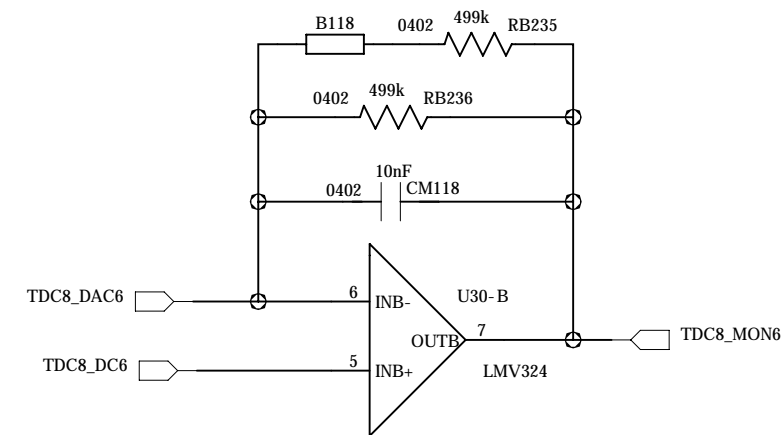
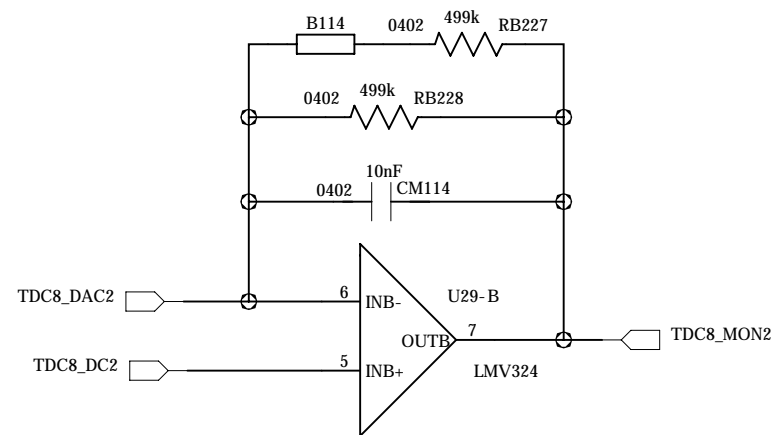
2

1

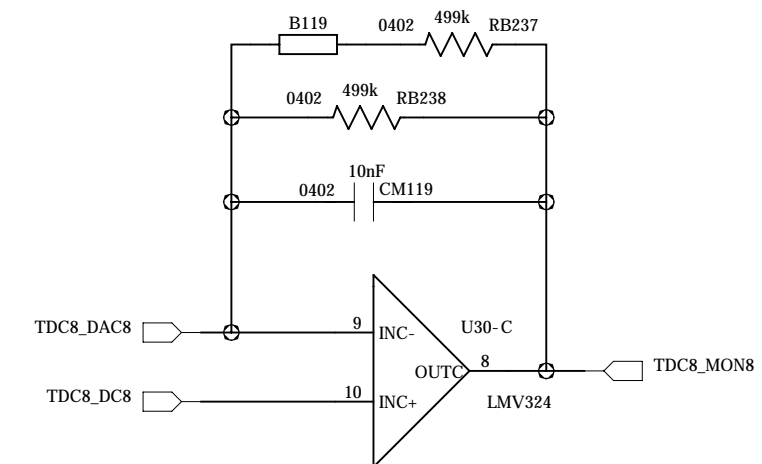
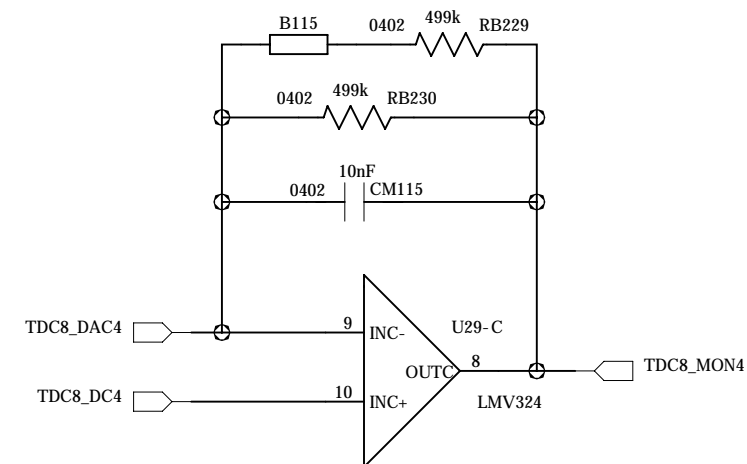
E



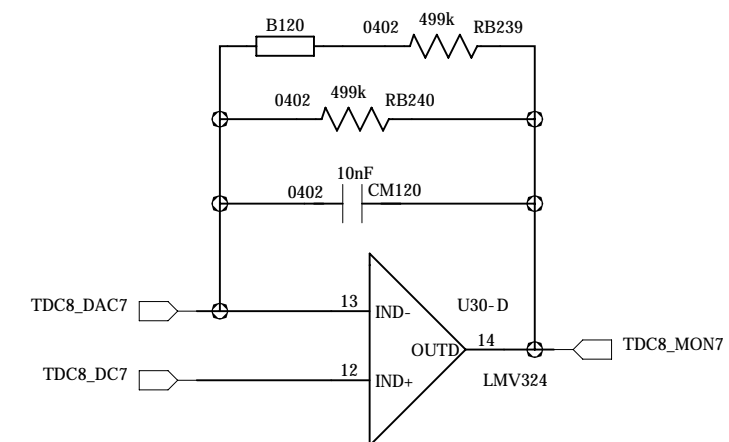
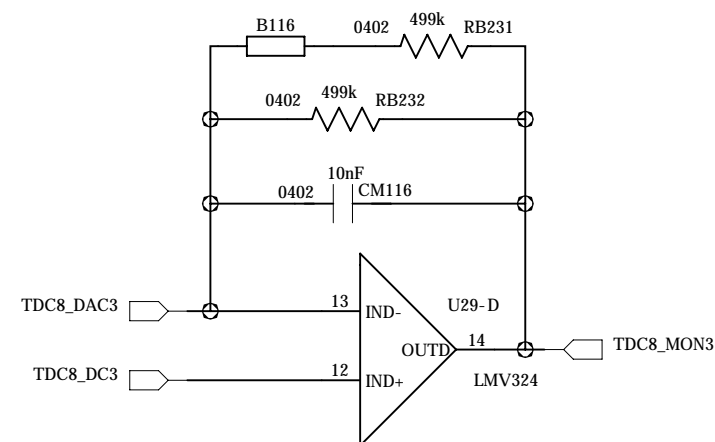
D



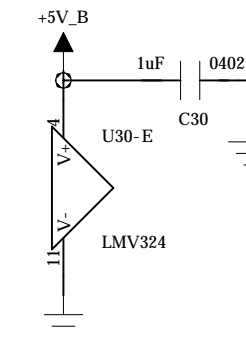
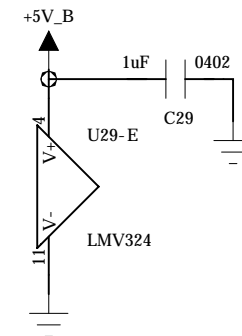
C



B



A



institution: University of Hawaii at Manoa
High Energy Physics Lab
Instrumentation Development Lab

title: KLM RHIC
revision: C
IDLAB design #: IDL_15_004
circuit design: IDLAB
PCB design: IDLAB

sheet #:
sheet description:
date last modified: 2015-06-16

E

D

C

B

A

6

5

4

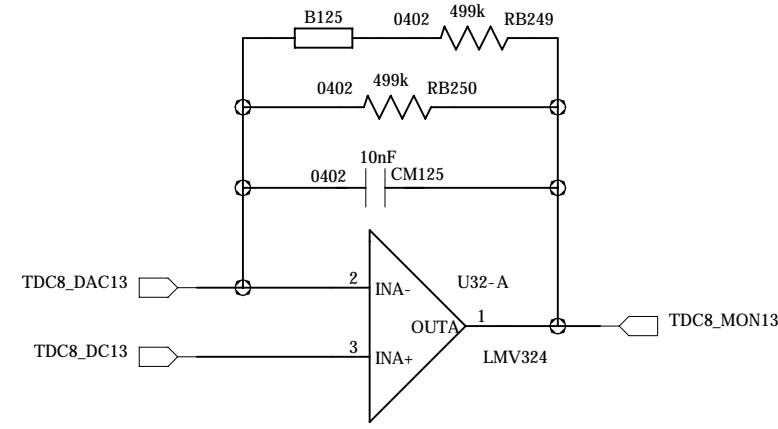
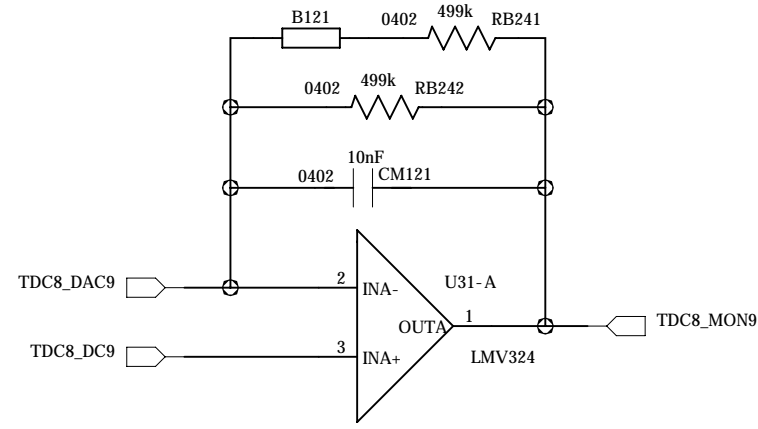
3

2

1

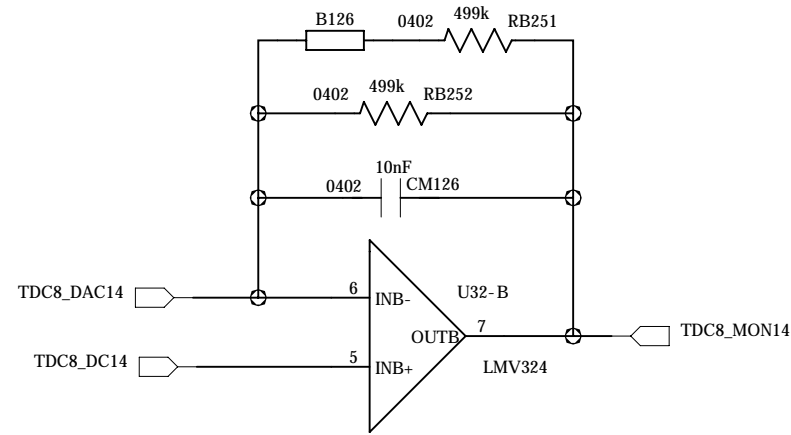
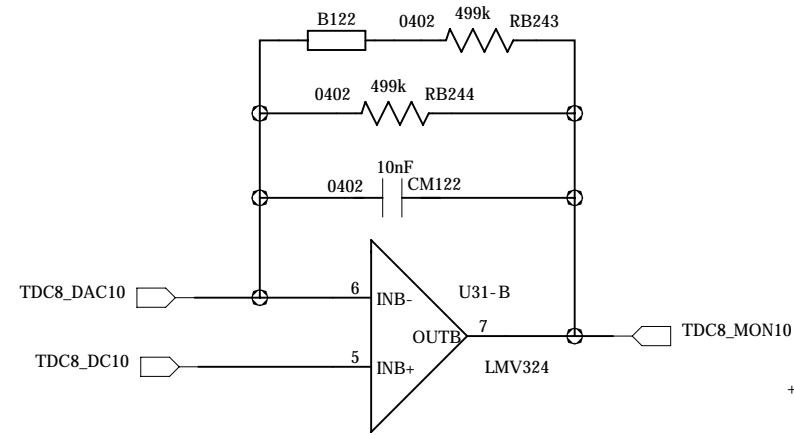
E

E



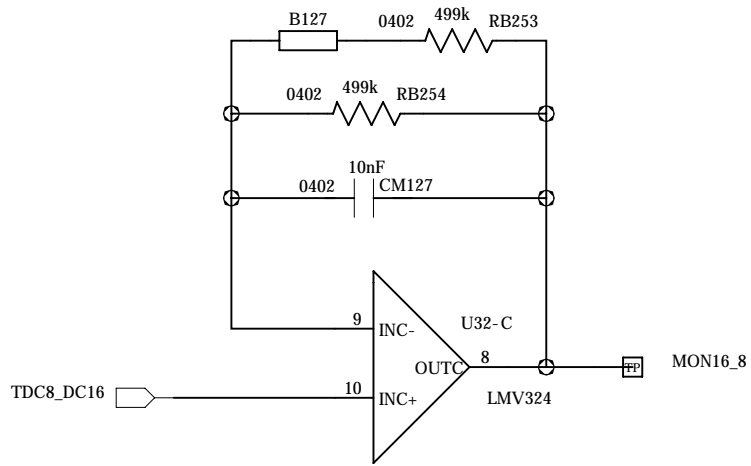
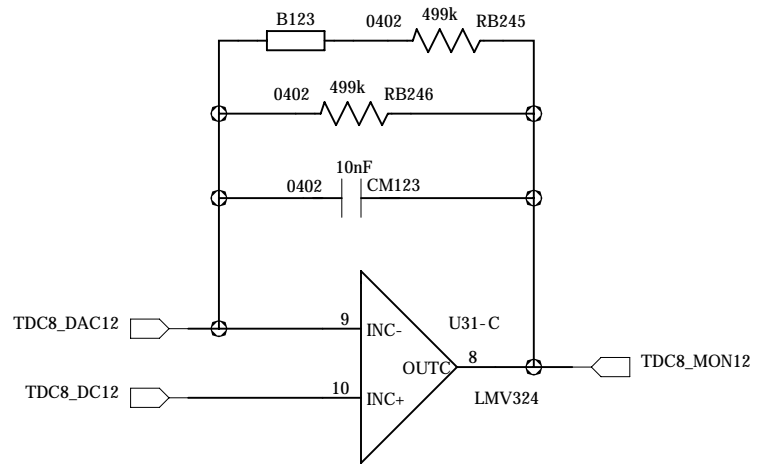
D

D



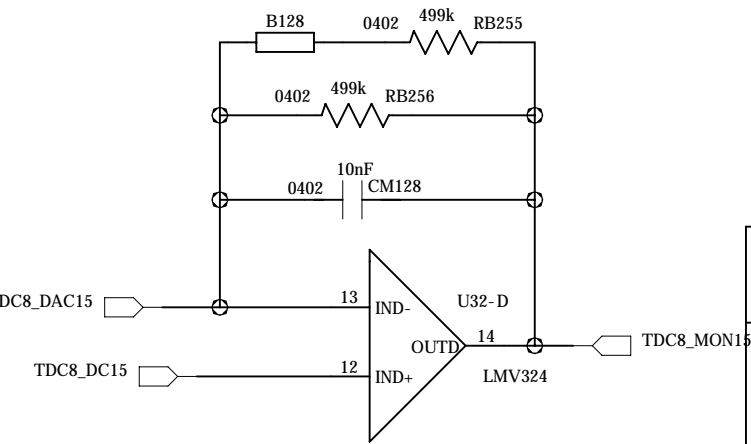
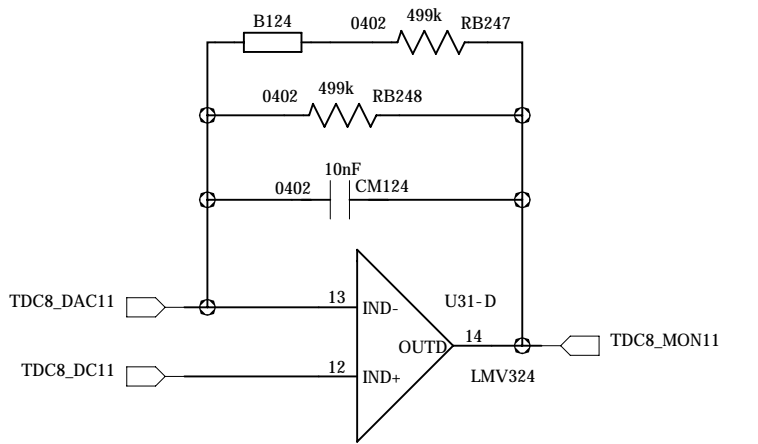
C

C



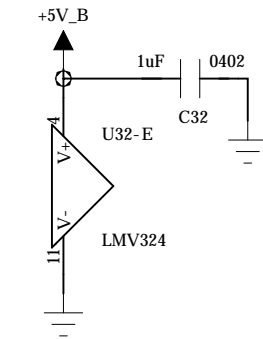
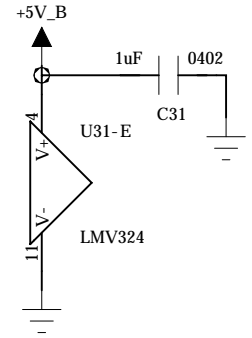
B

B



A

A



institution:	University of Hawaii at Manoa High Energy Physics Lab Instrumentation Development Lab
title:	KLM RHIC
revision:	C
IDLAB design #:	IDL_15_004
circuit design:	IDLAB
PCB design:	IDLAB
sheet #:	
sheet description:	
date last modified:	2015-06-16

6

5

4

3

2

1

E

E

D

D

C

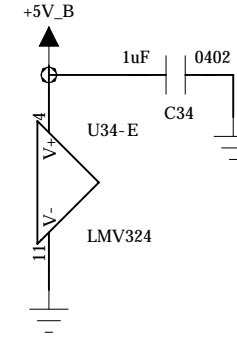
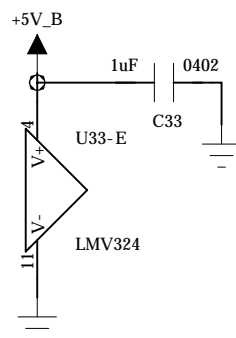
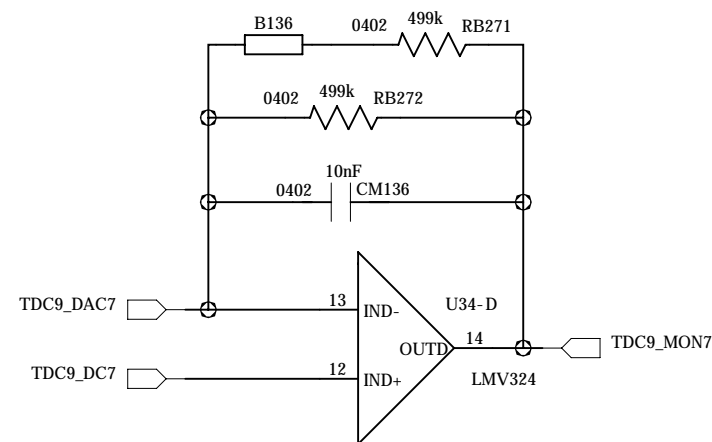
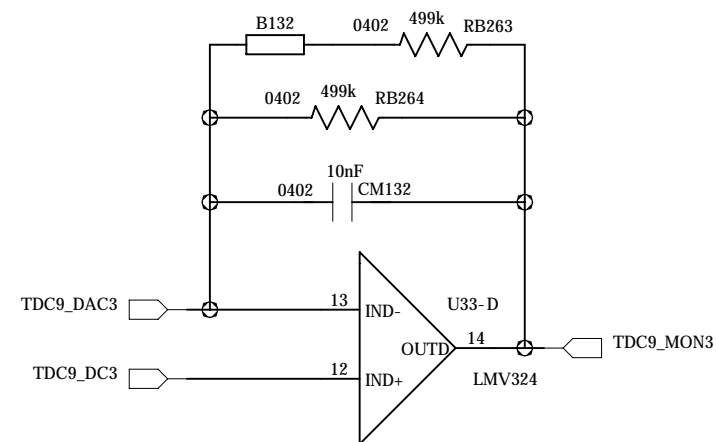
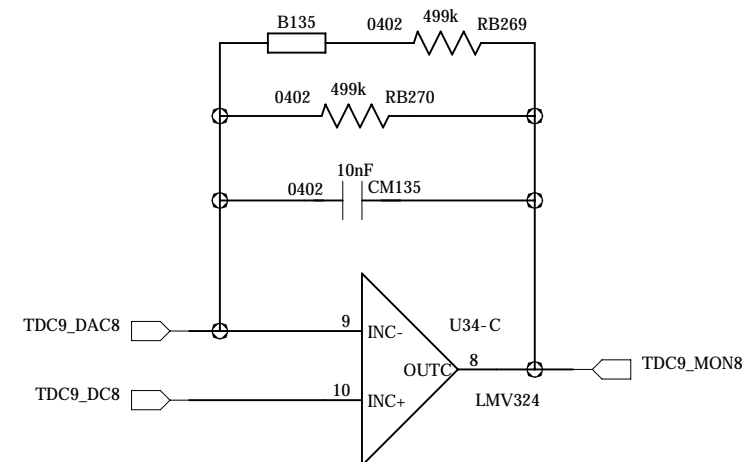
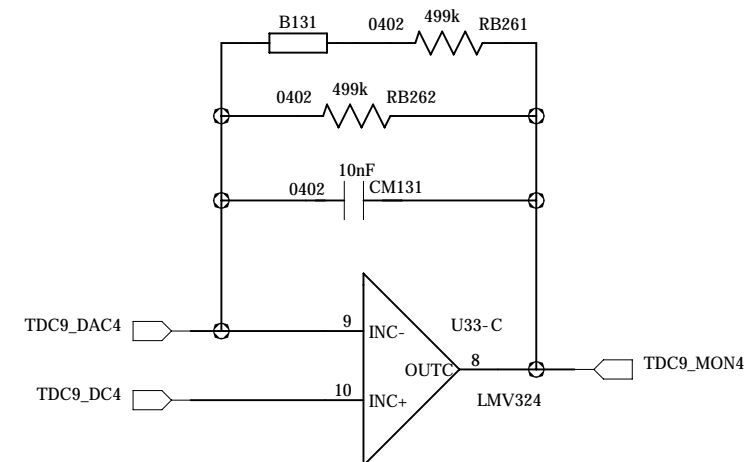
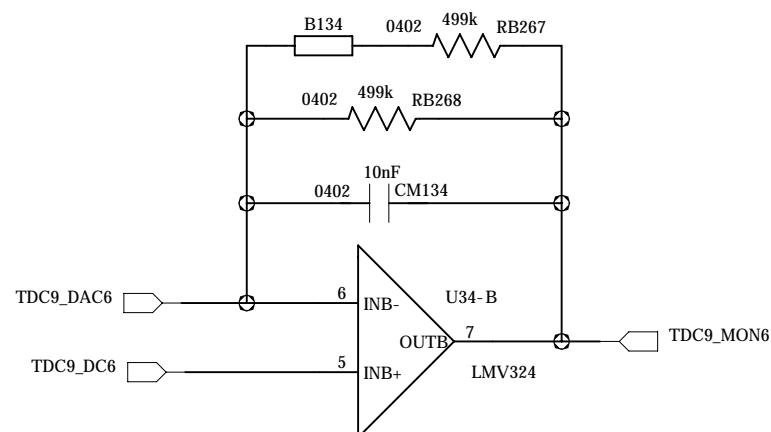
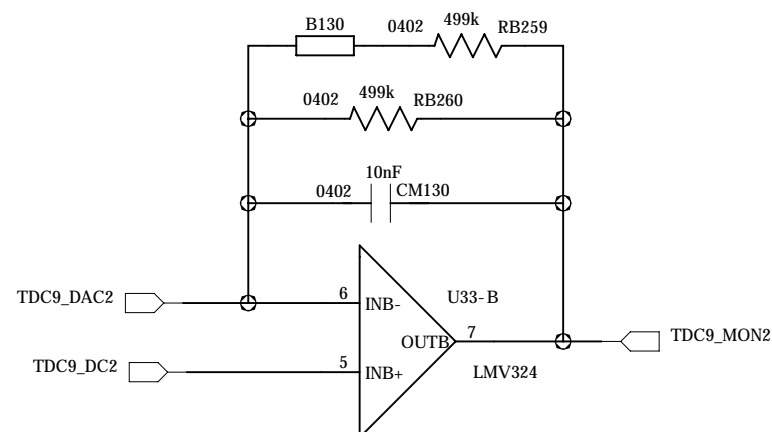
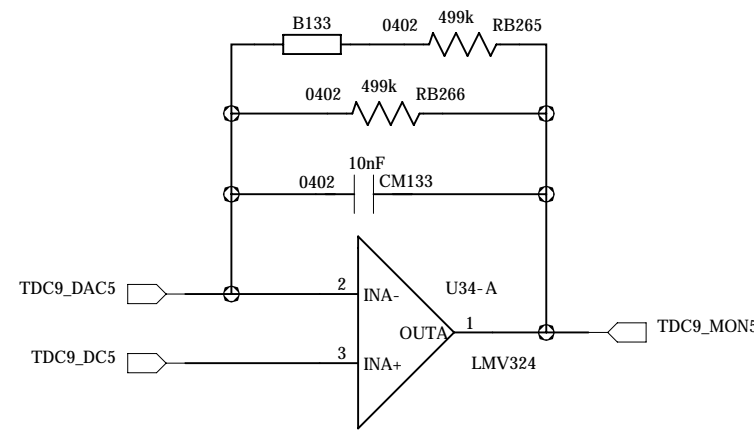
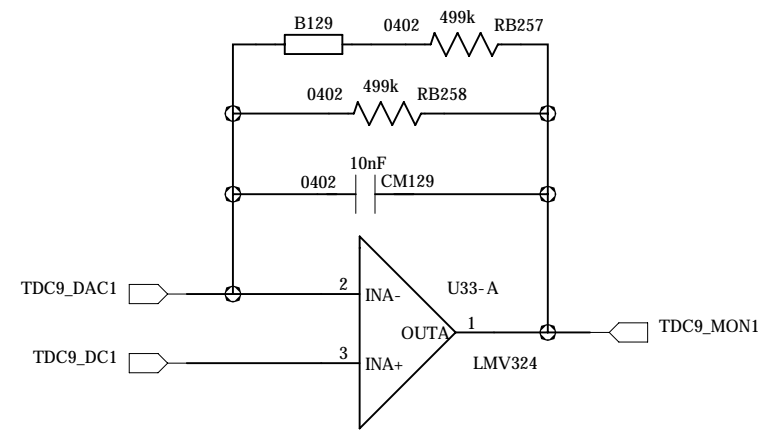
C

B

B

A

A



institution:	University of Hawaii at Manoa High Energy Physics Lab Instrumentation Development Lab
title:	KLM RHIC
revision:	C
IDLAB design #:	IDL_15_004
circuit design:	IDLAB
PCB design:	IDLAB
sheet #:	
sheet description:	
date last modified:	2015-06-16

6

5

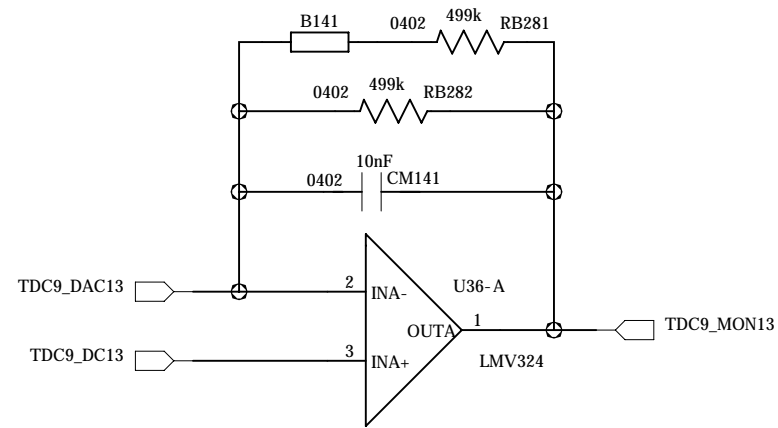
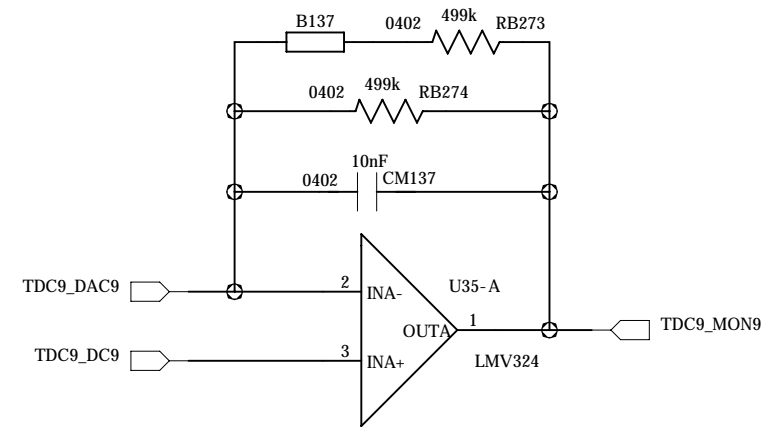
4

3

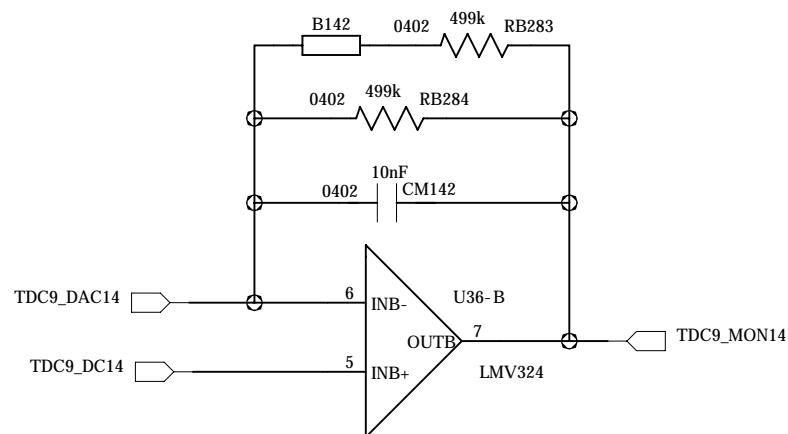
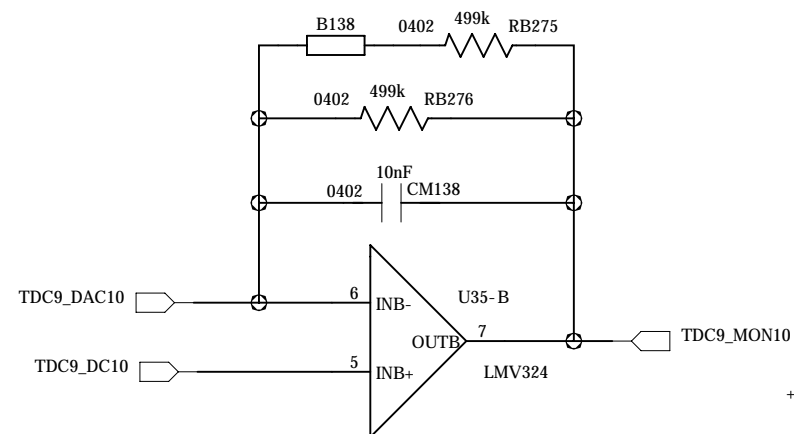
2

1

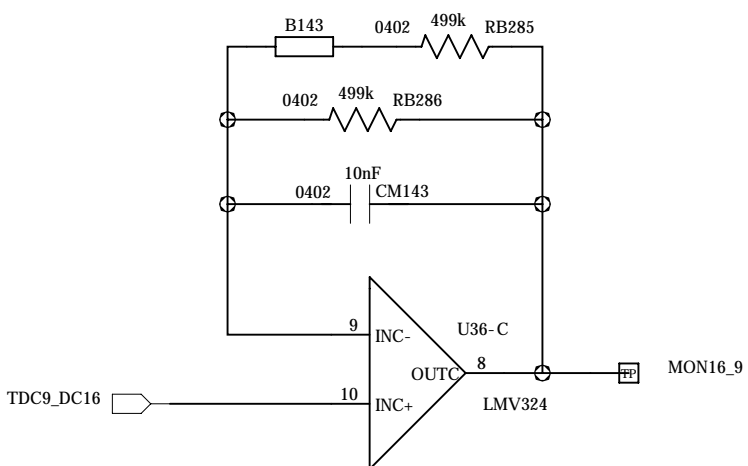
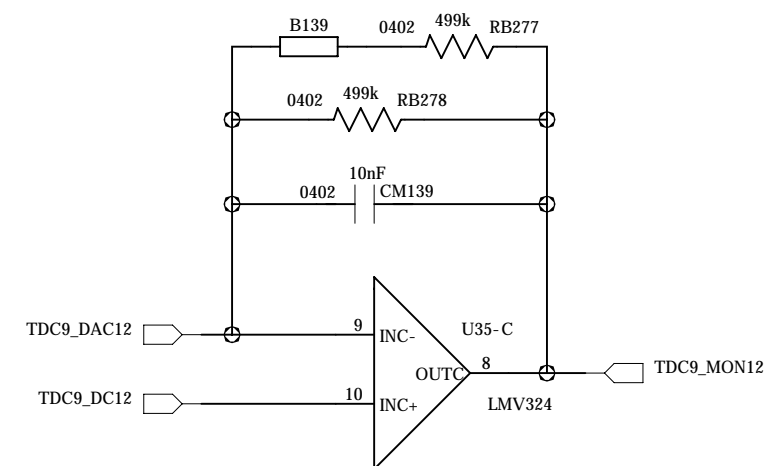
E



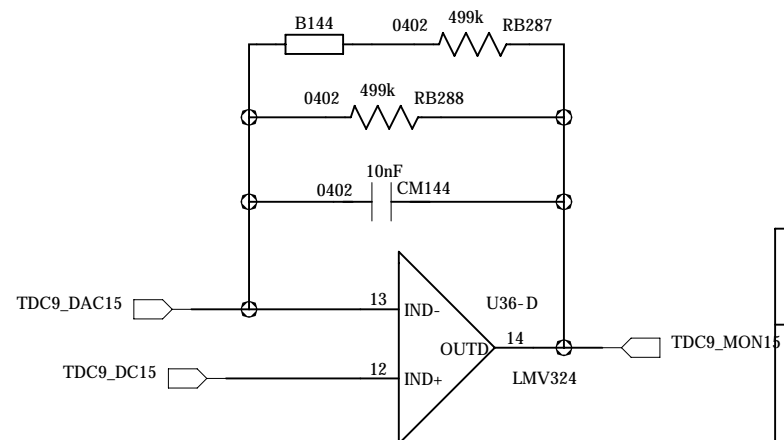
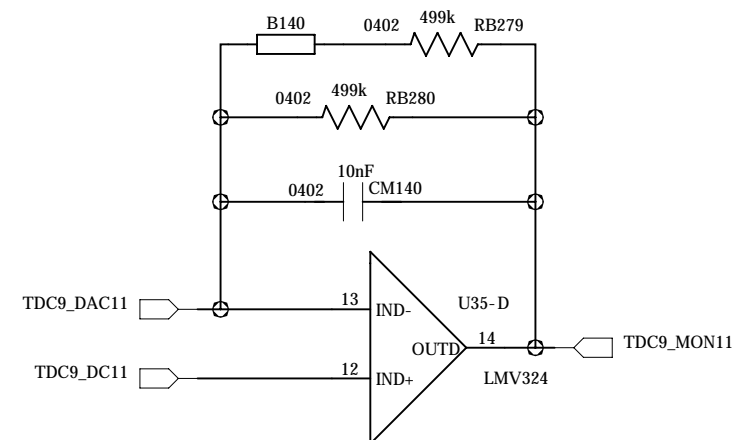
D



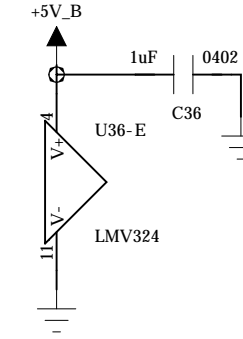
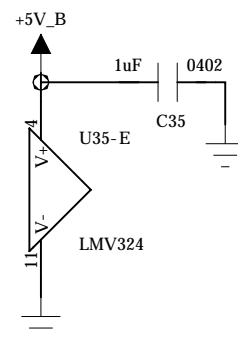
C



B



A



E

D

C

B

A

institution:	University of Hawaii at Manoa High Energy Physics Lab Instrumentation Development Lab
title:	KLM RHIC
revision:	C
IDLAB design #:	IDL_15_004
circuit design:	IDLAB
PCB design:	IDLAB
sheet #:	
sheet description:	
date last modified:	2015-06-16

6

5

4

3

2

1

E

E

D

D

C

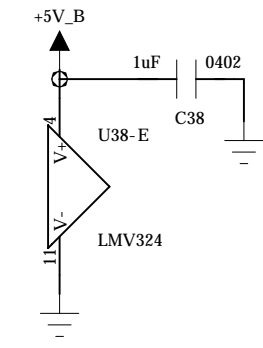
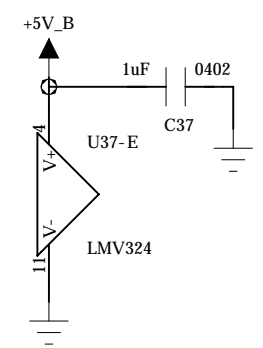
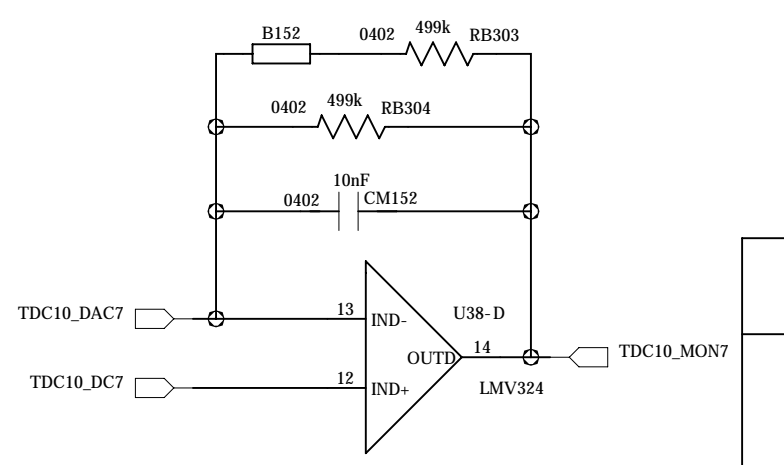
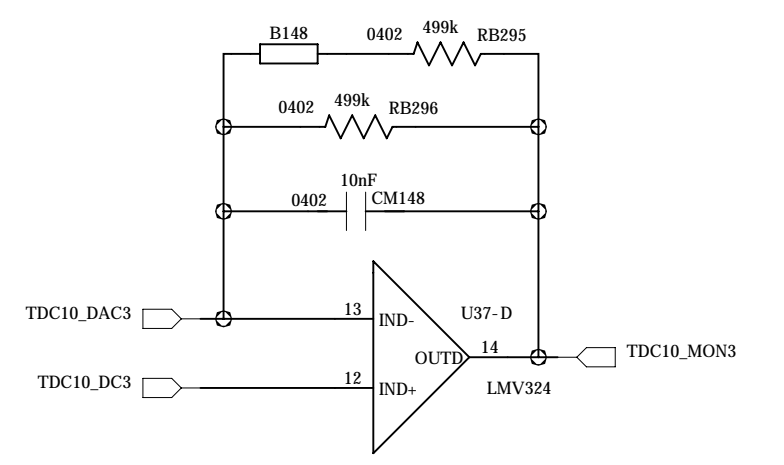
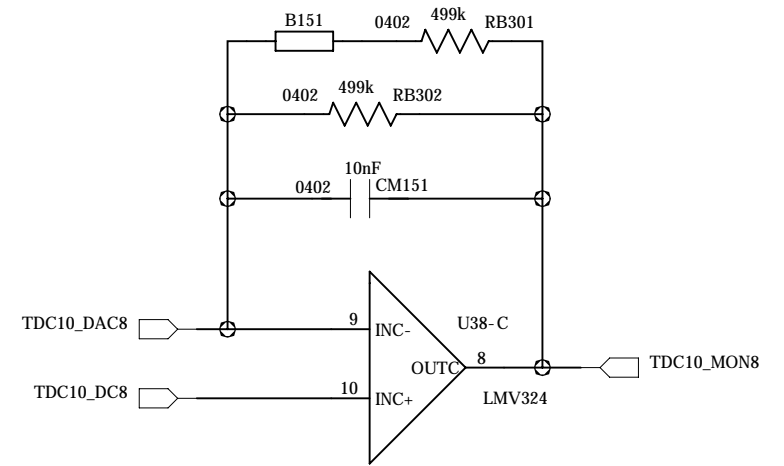
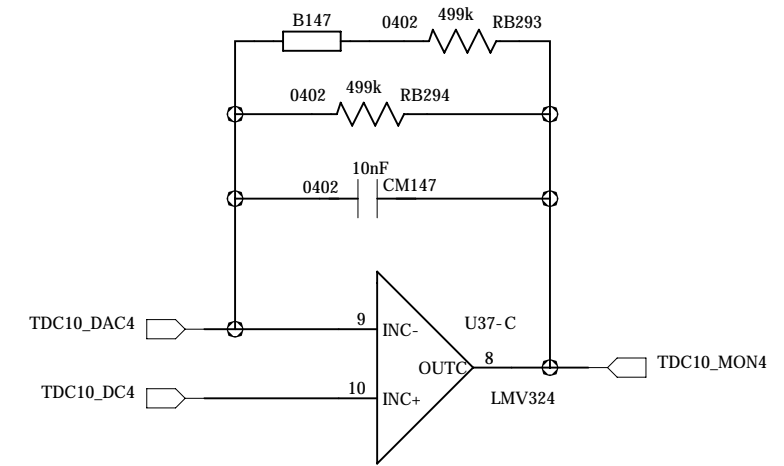
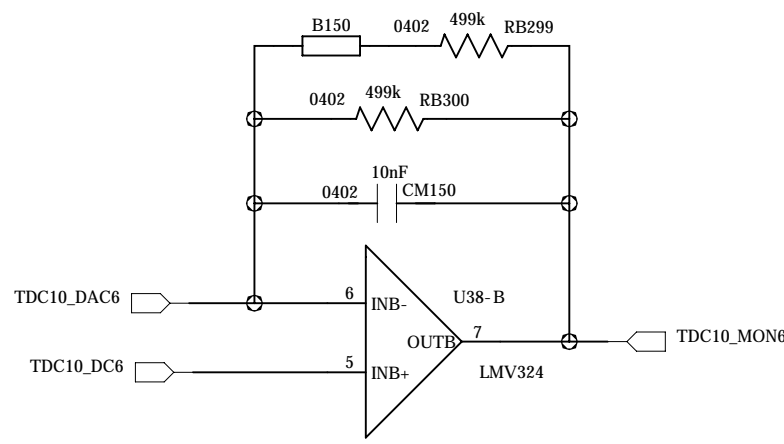
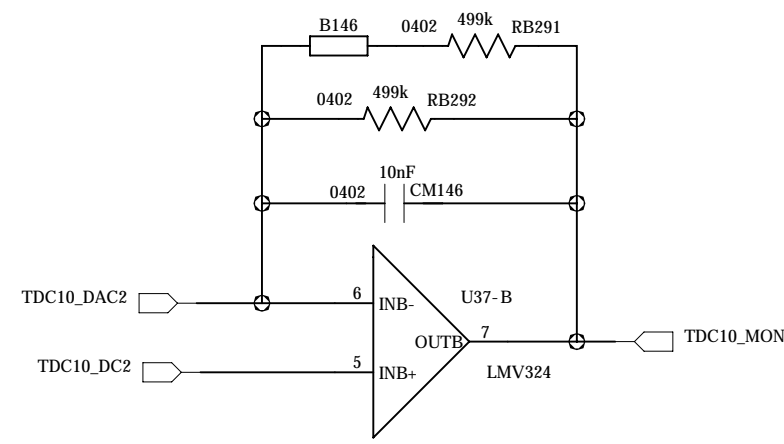
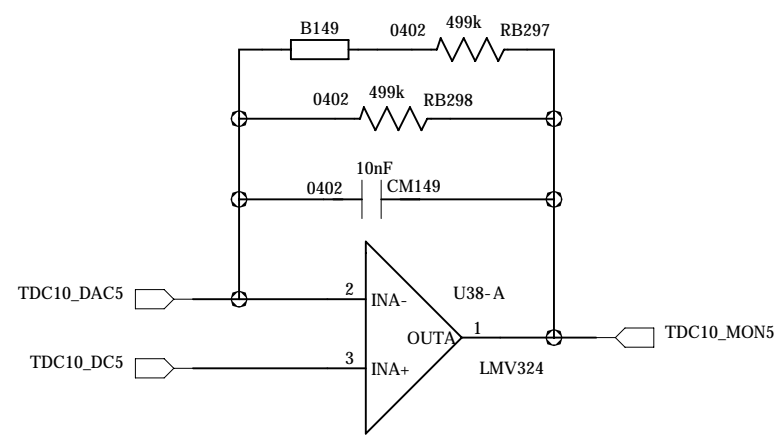
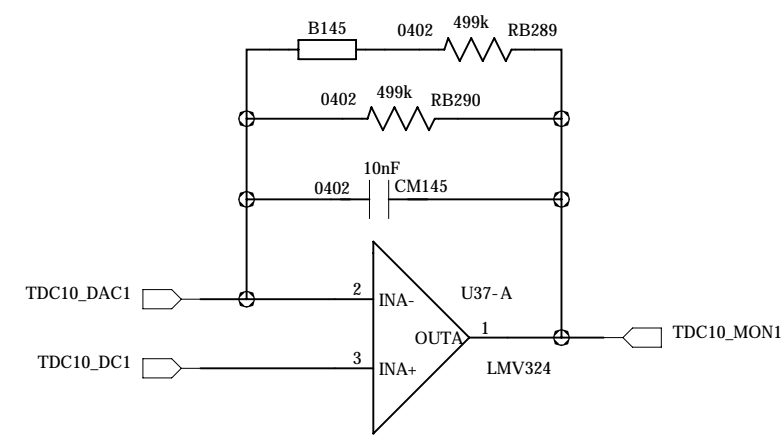
C

B

B

A

A



institution:	University of Hawaii at Manoa High Energy Physics Lab Instrumentation Development Lab
title:	KLM RHIC
revision:	C
IDLAB design #:	IDL_15_004
circuit design:	IDLAB
PCB design:	IDLAB
sheet #:	
sheet description:	
date last modified:	2015-06-16

6

5

4

3

2

1

E

E

D

D

C

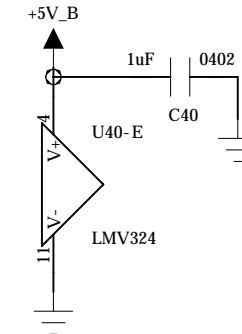
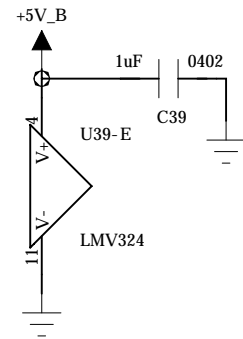
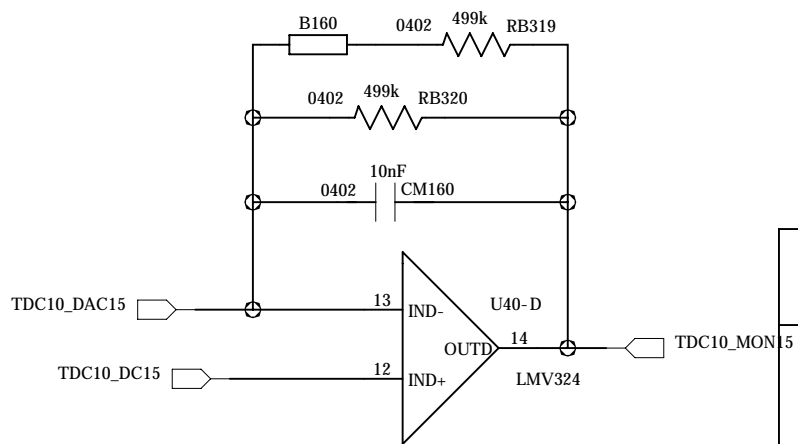
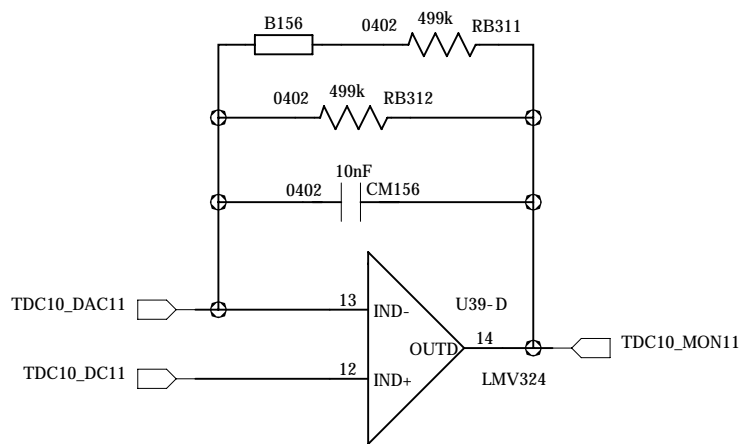
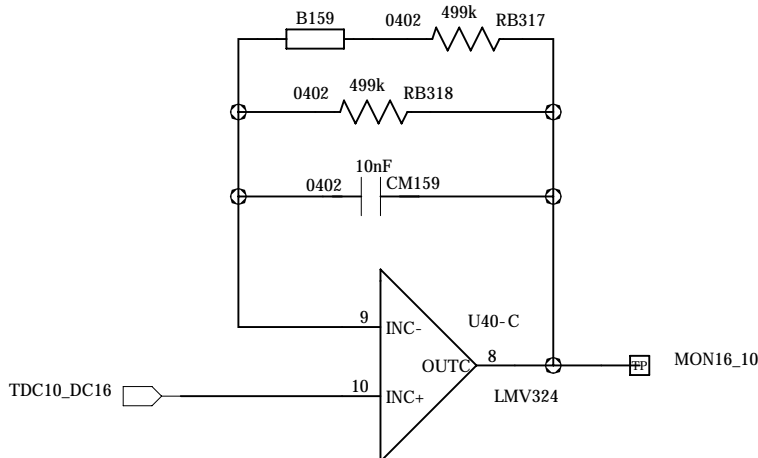
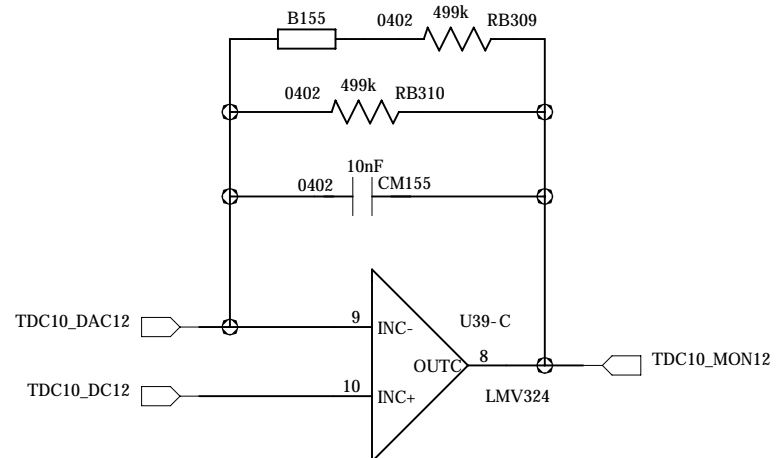
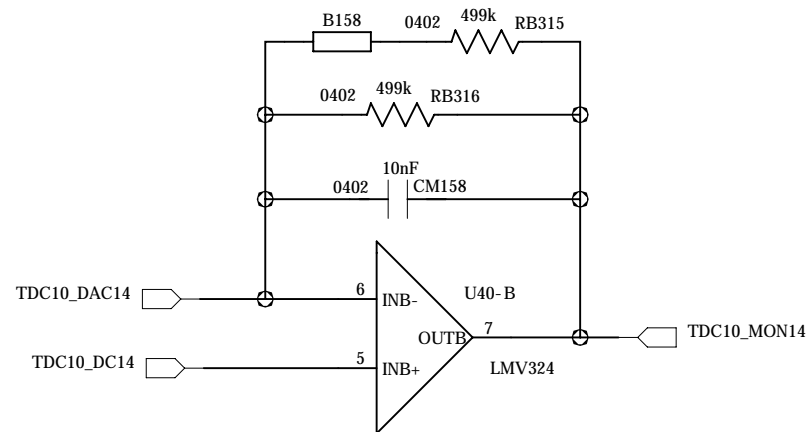
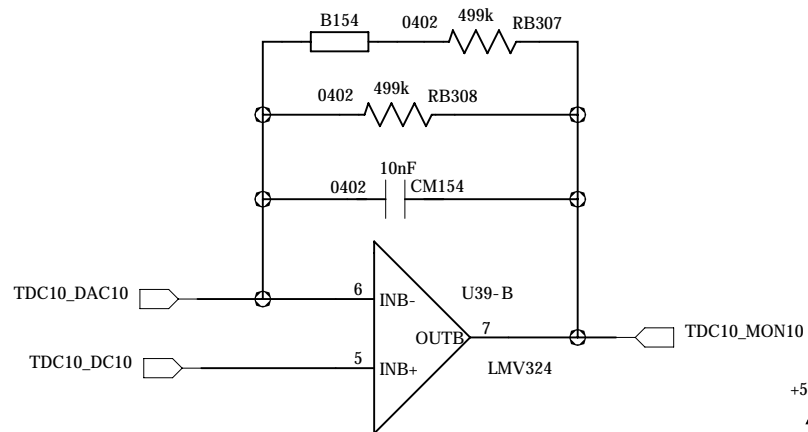
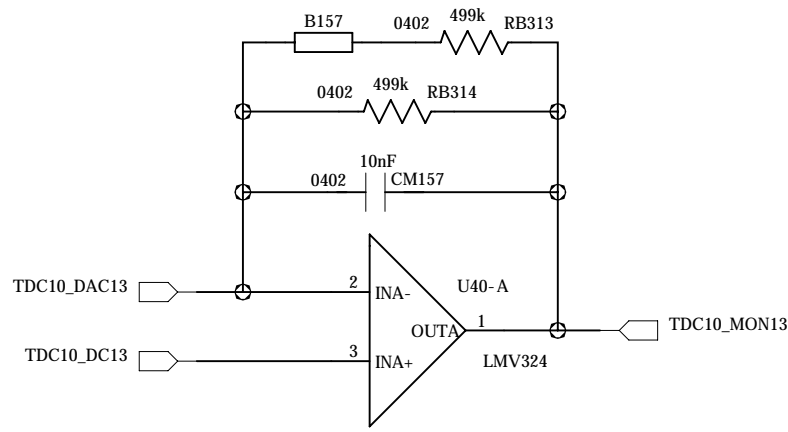
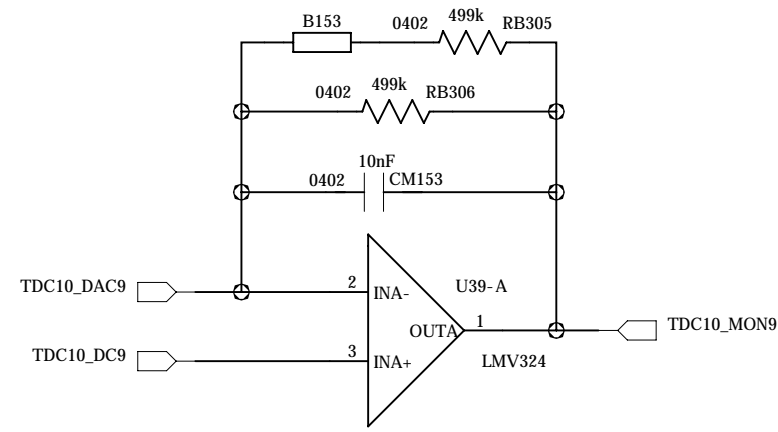
C

B

B

A

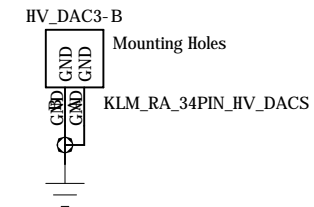
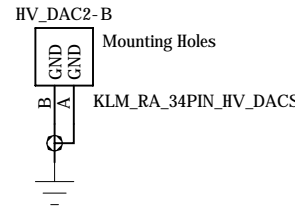
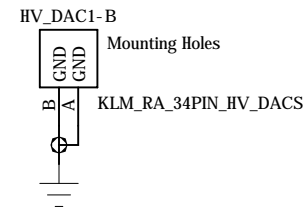
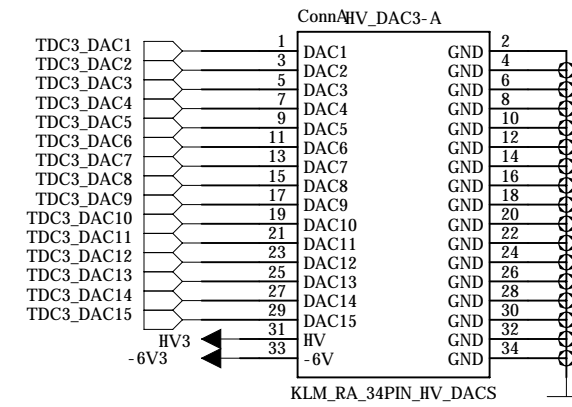
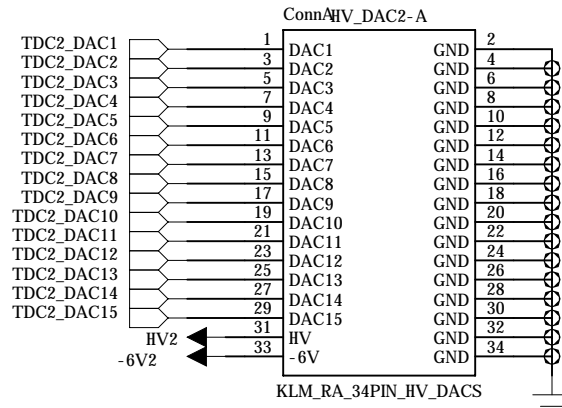
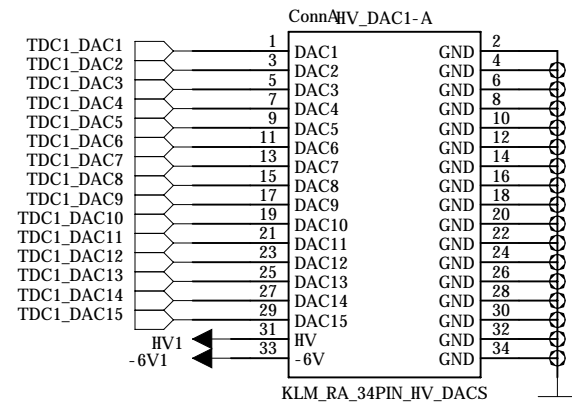
A



institution:	University of Hawaii at Manoa High Energy Physics Lab Instrumentation Development Lab
title:	KLM RHIC
revision:	C
IDLAB design #:	IDL_15_004
circuit design:	IDLAB
PCB design:	IDLAB
sheet #:	
sheet description:	
date last modified:	2015-06-16

E

E

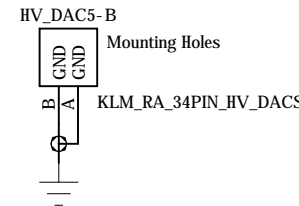
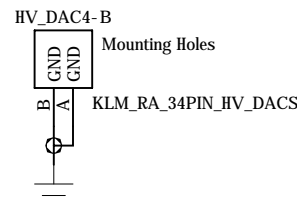
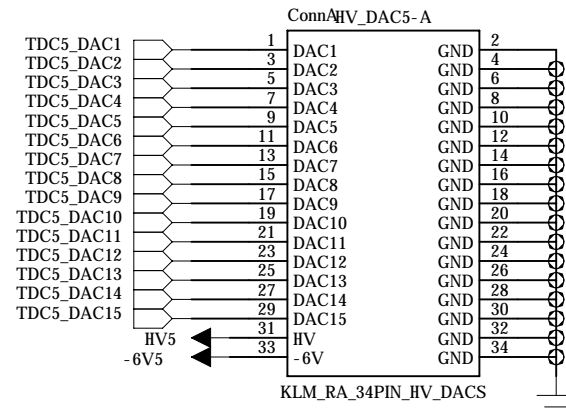
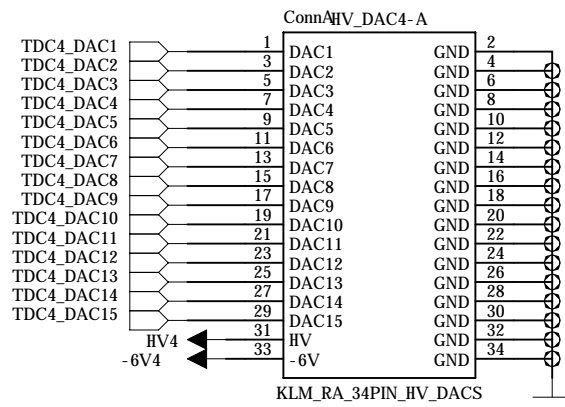


D

D

C

C



B

B

A

A

institution:	University of Hawaii at Manoa High Energy Physics Lab Instrumentation Development Lab
title:	KLM RHIC
revision:	C
IDLAB design #:	IDL 15_004
circuit design:	IDLAB
PCB design:	IDLAB
sheet #:	
sheet description:	
date last modified:	2015-06-16

6

5

4

3

2

1

E

E

D

D

C

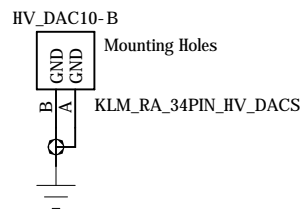
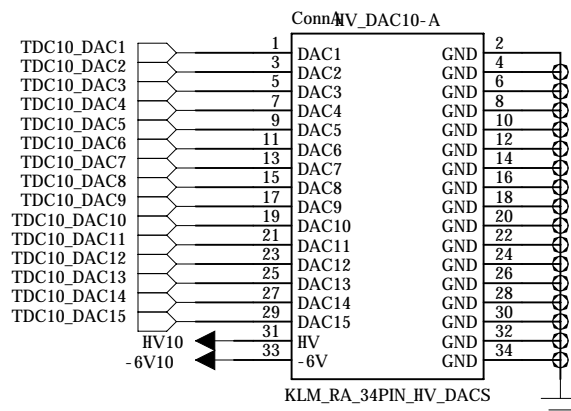
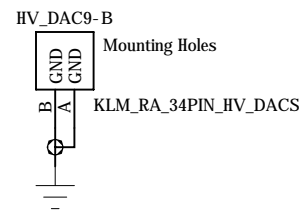
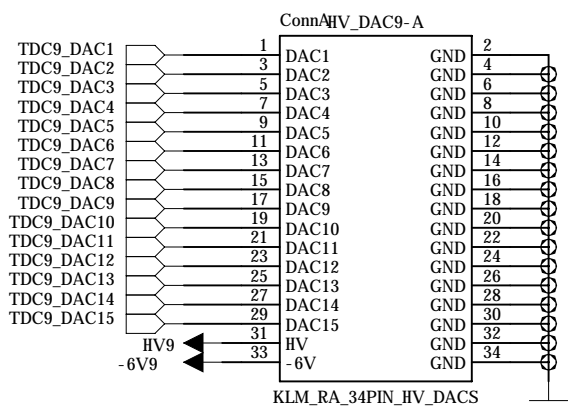
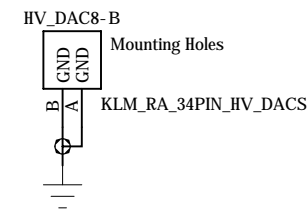
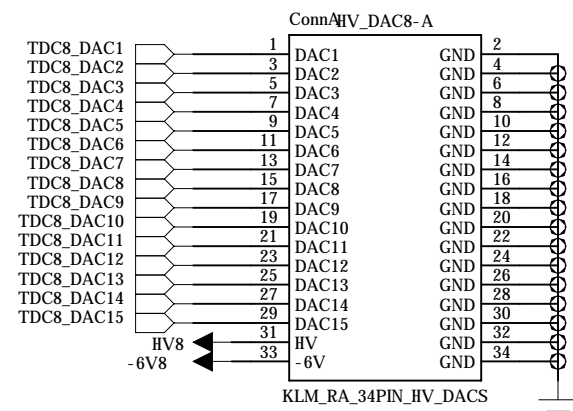
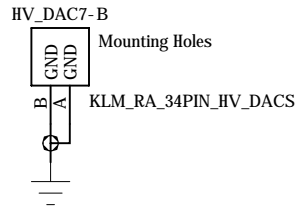
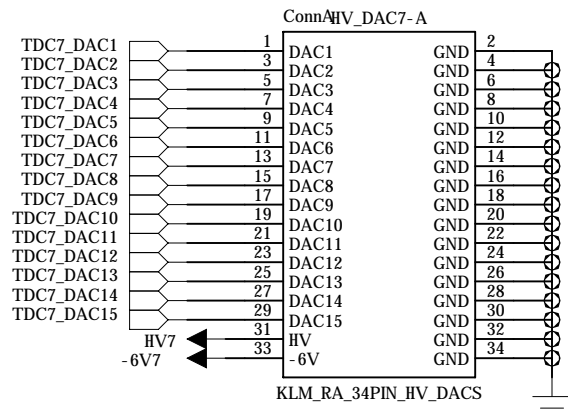
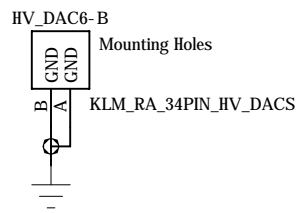
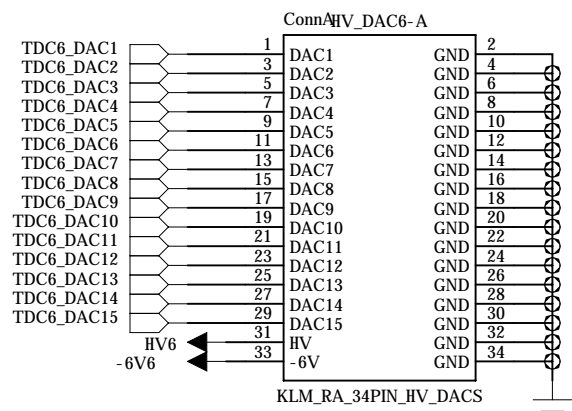
C

B

B

A

A



institution:	University of Hawaii at Manoa High Energy Physics Lab Instrumentation Development Lab
title:	KLM RHIC
revision:	C
IDLAB design #:	IDL_15_004
circuit design:	IDLAB
PCB design:	IDLAB
sheet #:	
sheet description:	
date last modified:	2015-06-16

6

5

4

3

2

1

E

E

D

D

C

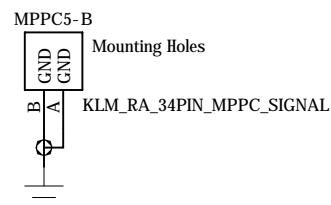
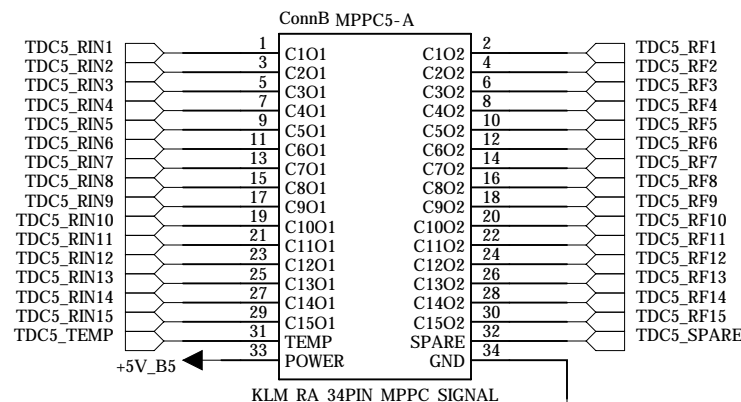
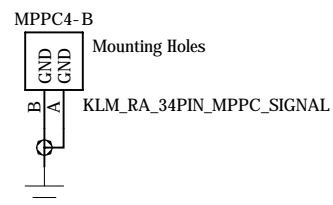
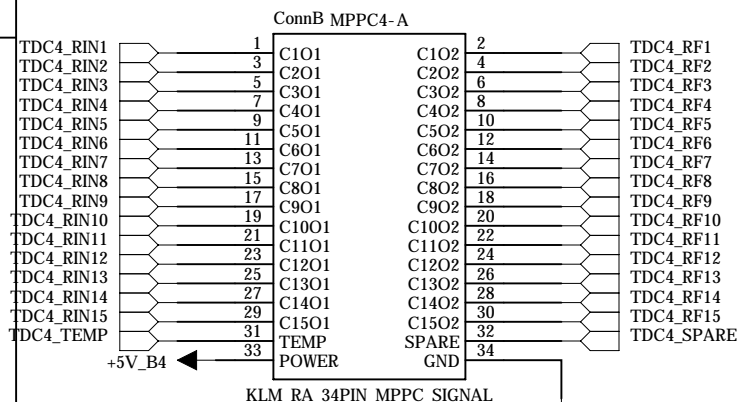
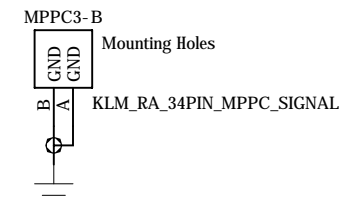
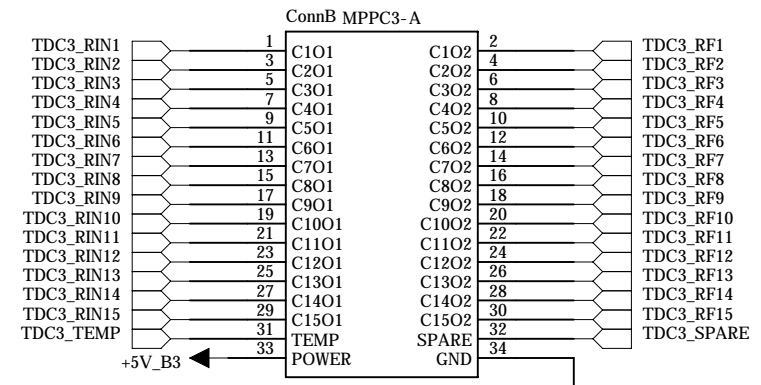
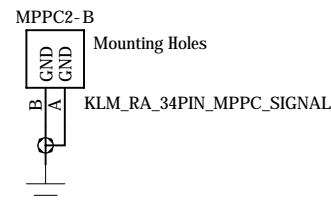
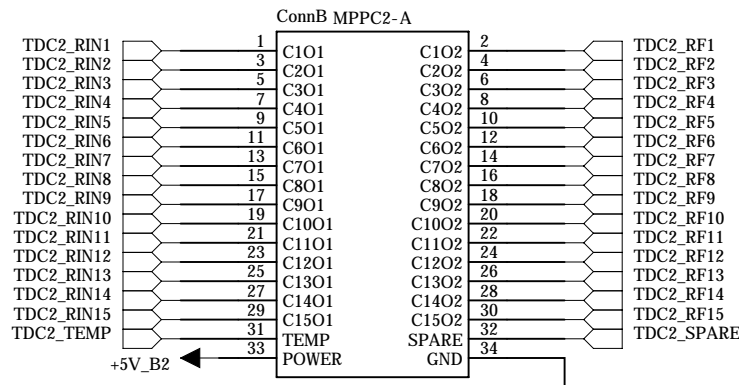
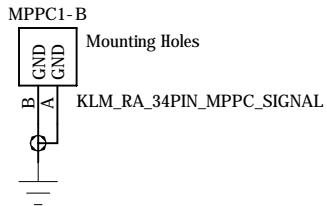
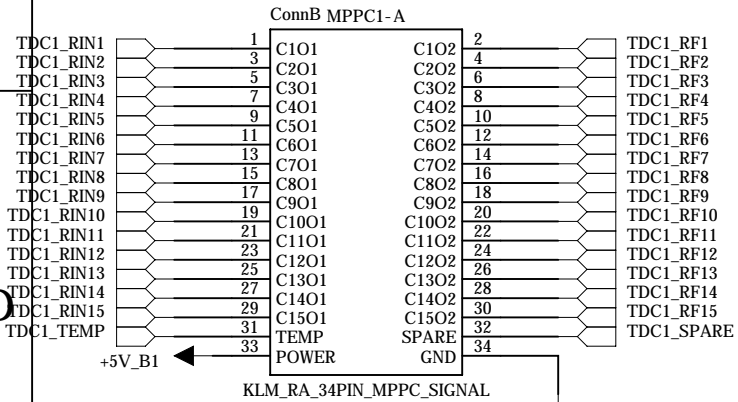
C

B

B

A

A



institution:	University of Hawaii at Manoa High Energy Physics Lab Instrumentation Development Lab
title:	KLM RHIC
revision:	C
IDLAB design #:	IDL_15_004
circuit design:	IDLAB
PCB design:	IDLAB
sheet #:	
sheet description:	
date last modified:	2015-06-16

6

5

4

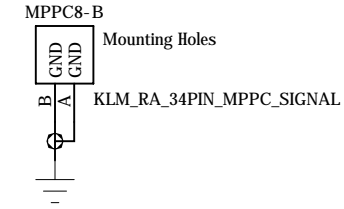
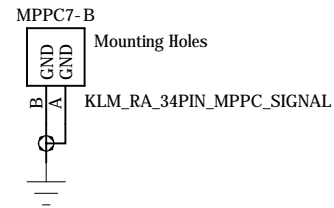
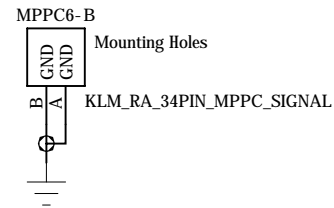
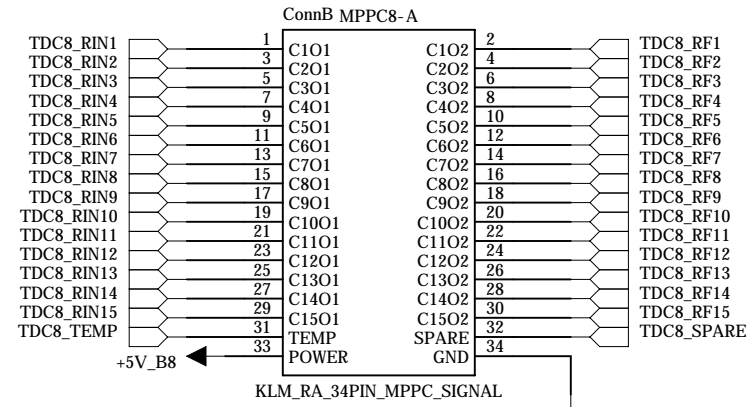
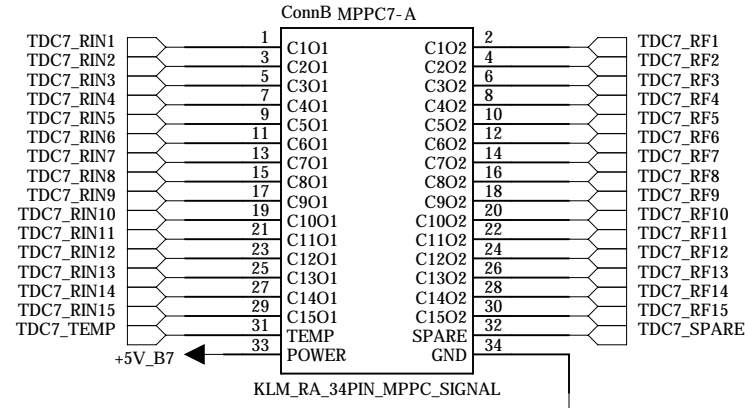
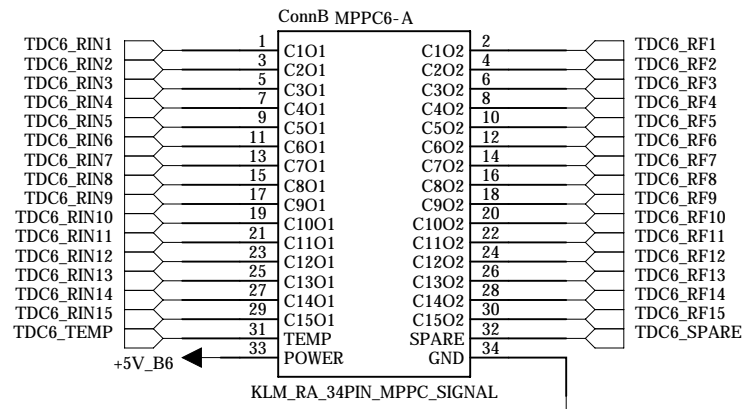
3

2

1

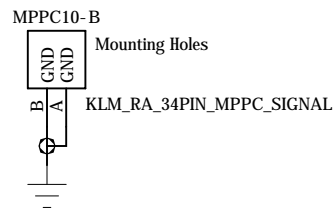
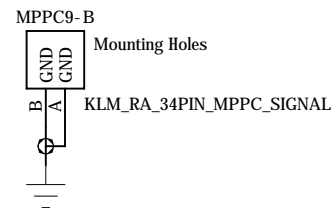
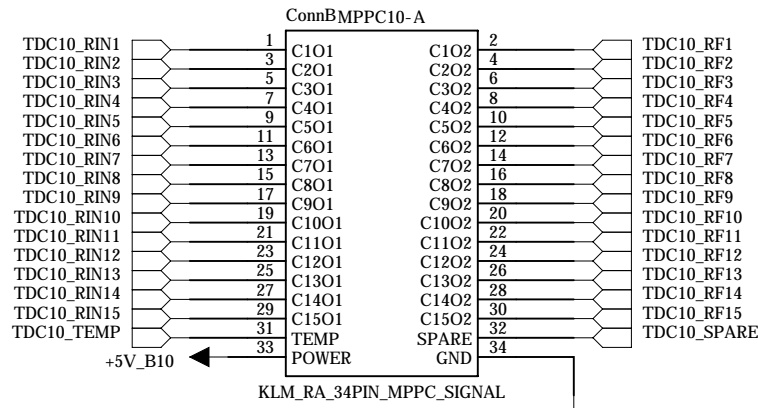
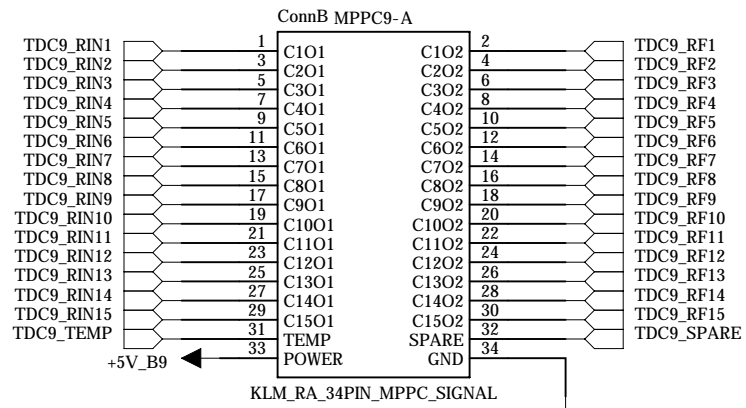
E

E



C

C



A

A

institution:	University of Hawaii at Manoa High Energy Physics Lab Instrumentation Development Lab
title:	KLM RHIC
revision:	C
IDLAB design #:	IDL_15_004
circuit design:	IDLAB
PCB design:	IDLAB
sheet #:	
sheet description:	
date last modified:	2015-06-16

E

E

D

D

C

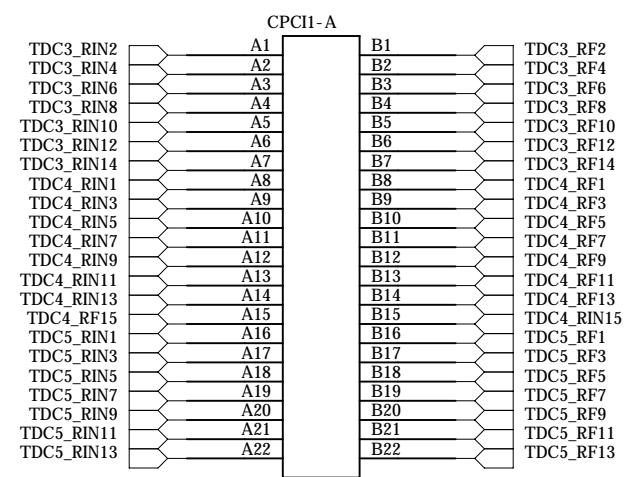
C

B

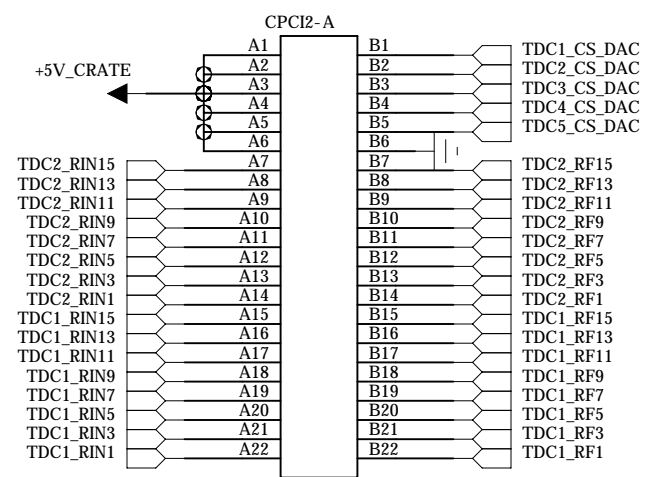
B

A

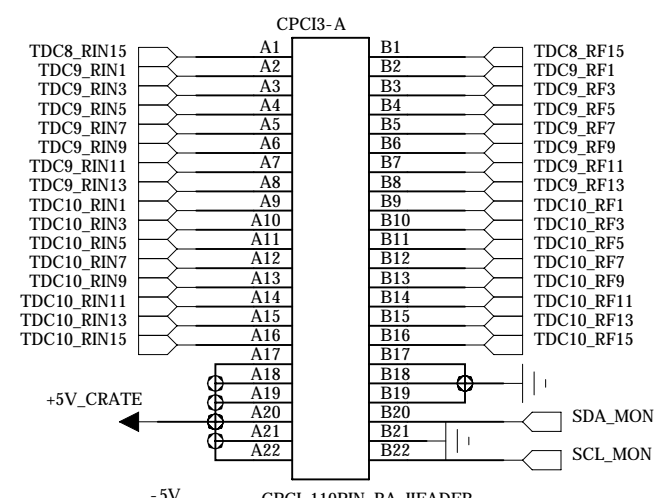
A



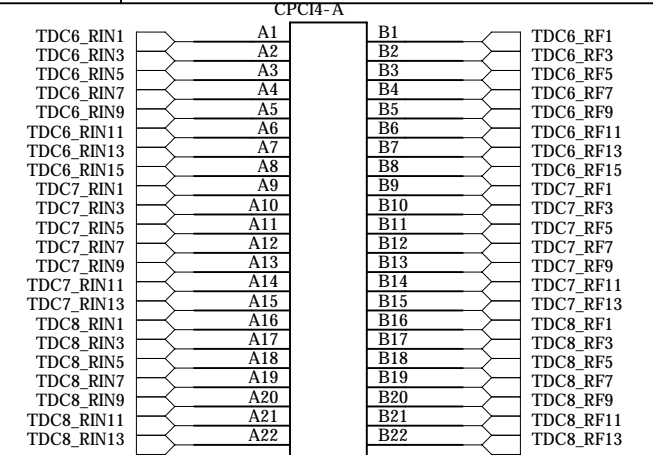
CPCI-110PIN-RA-HEADER



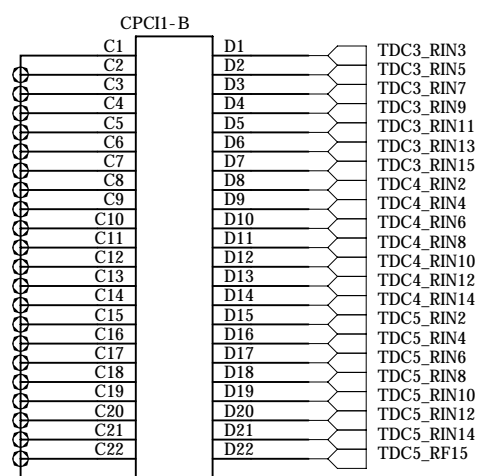
CPCI-110PIN-RA-HEADER



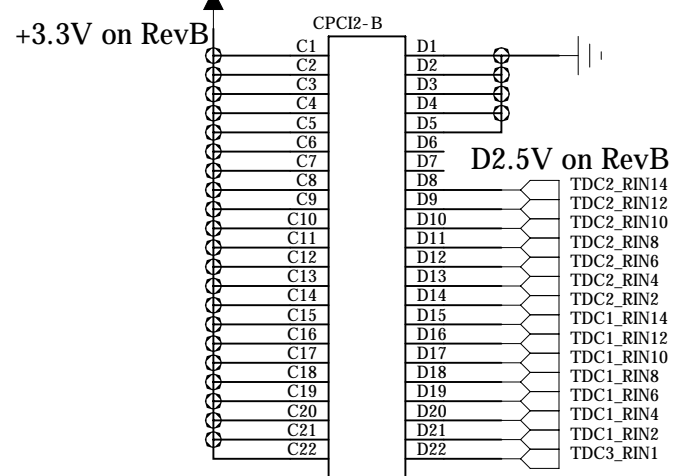
CPCI-110PIN-RA-HEADER



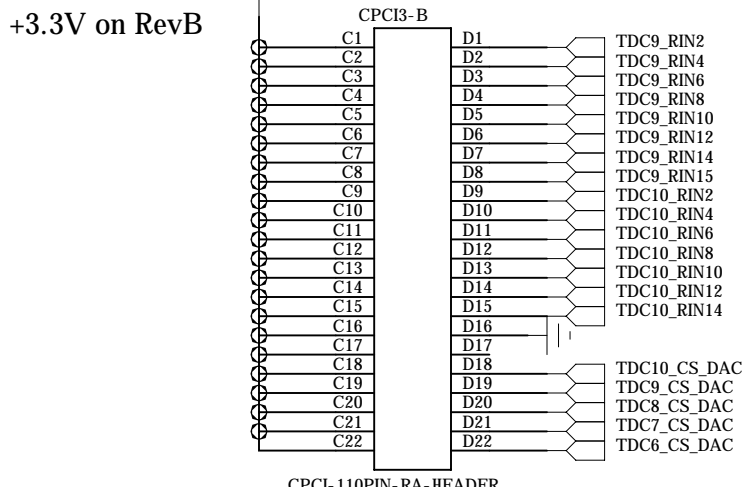
CPCI-110PIN-RA-HEADER



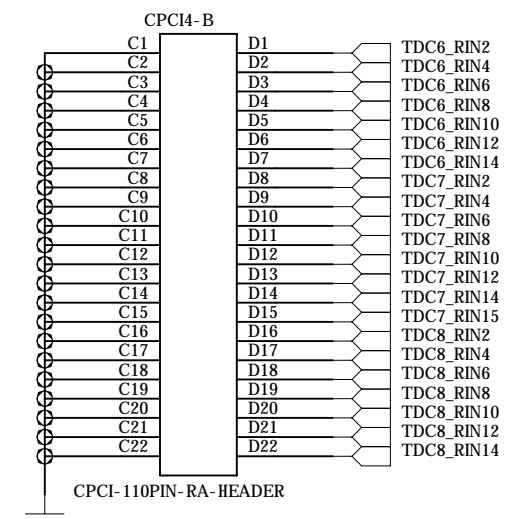
CPCI-110PIN-RA-HEADER



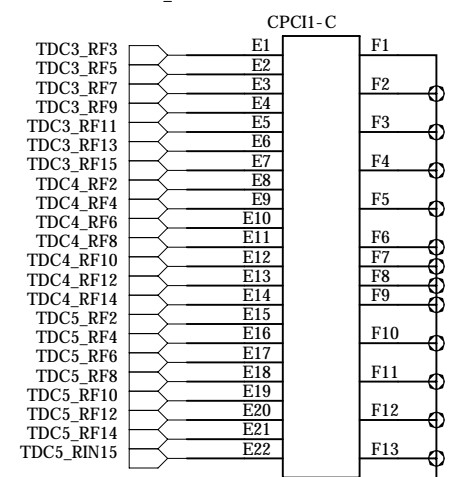
CPCI-110PIN-RA-HEADER



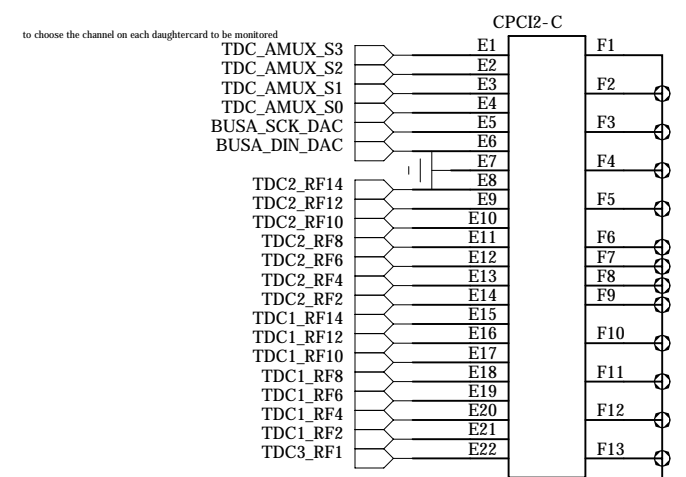
CPCI-110PIN-RA-HEADER



CPCI-110PIN-RA-HEADER

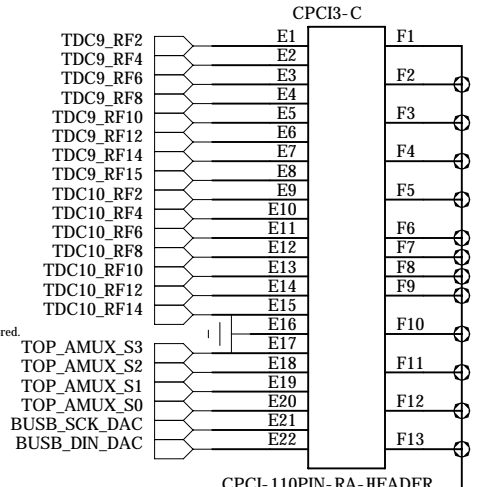


CPCI-110PIN-RA-HEADER

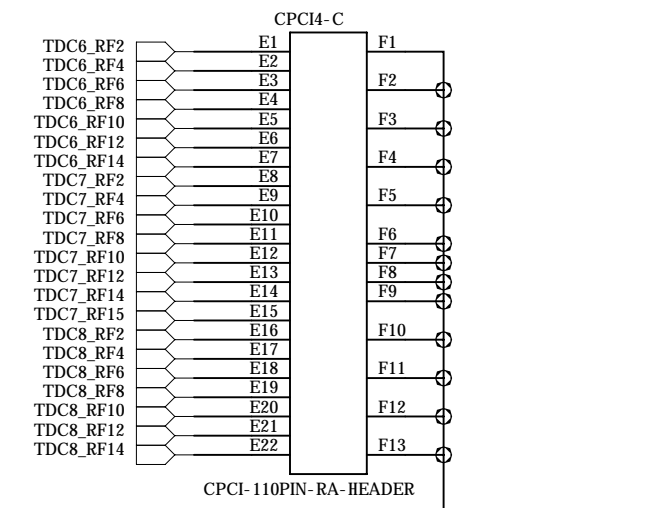


CPCI-110PIN-RA-HEADER

decide which daughtercard to be monitored.



CPCI-110PIN-RA-HEADER



CPCI-110PIN-RA-HEADER

institution:	University of Hawaii at Manoa High Energy Physics Lab Instrumentation Development Lab
title:	KLM RHIC
revision:	C
IDLAB design #:	IDL_15_004
circuit design:	IDLAB
PCB design:	IDLAB
sheet #:	
sheet description:	
date last modified:	2015-06-16

6

5

4

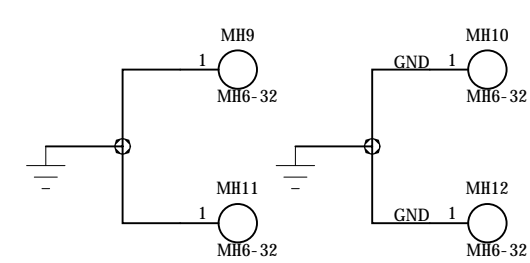
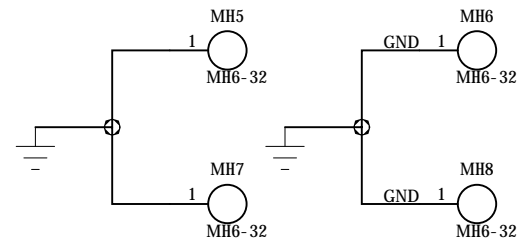
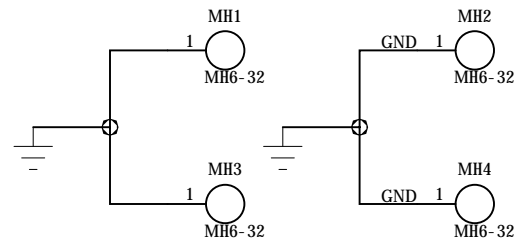
3

2

1

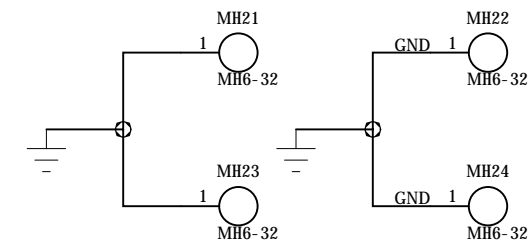
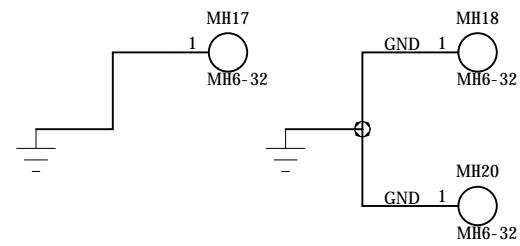
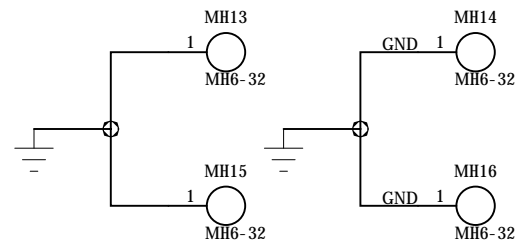
E

E



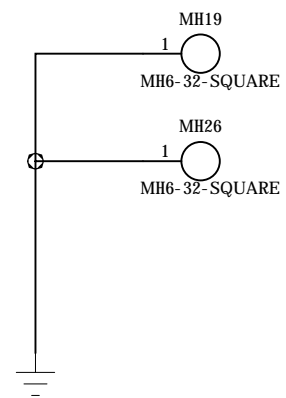
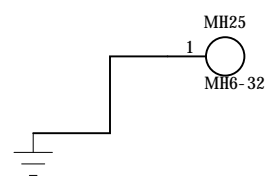
D

D



C

C



B

B

A

A

institution: University of Hawaii at Manoa
High Energy Physics Lab
Instrumentation Development Lab

title: KLM RHIC
revision: C
IDLAB design #: IDL_15_004
circuit design: IDLAB
PCB design: IDLAB

sheet #:
sheet description:
date last modified: 2015-06-16