

6

5

4

3

2

1

E

E

D

D

C

C

B

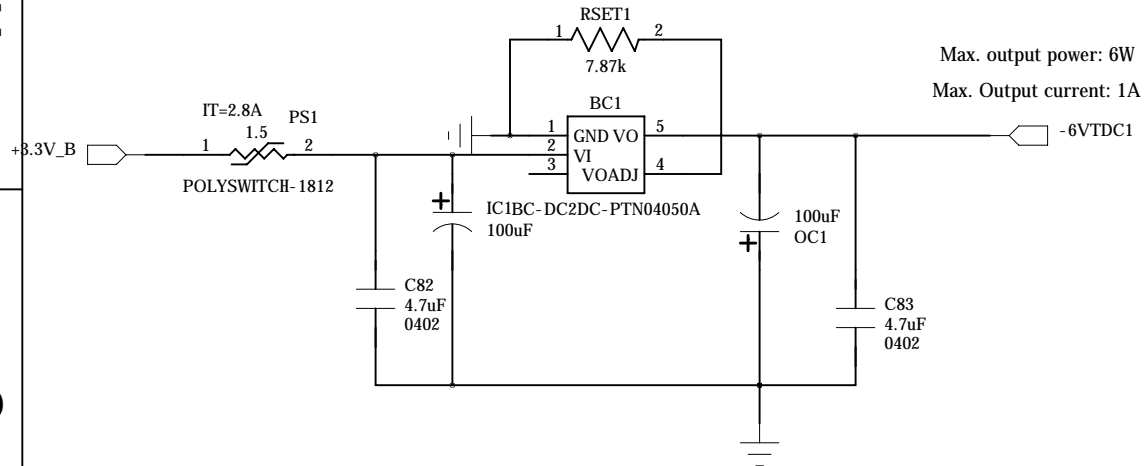
B

A

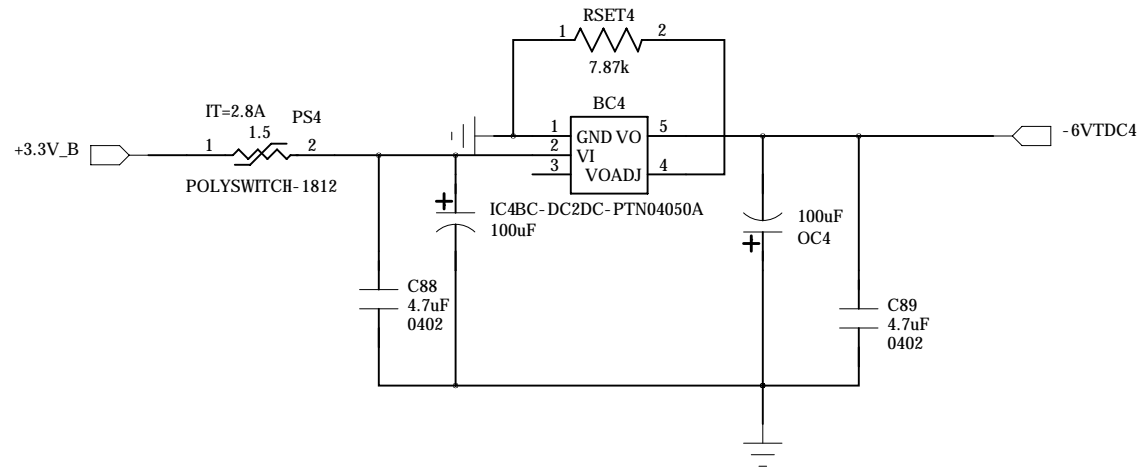
A

at least 1%, 100ppm. Vout=-7V
Connect the resistor directly between pins 4 and 1

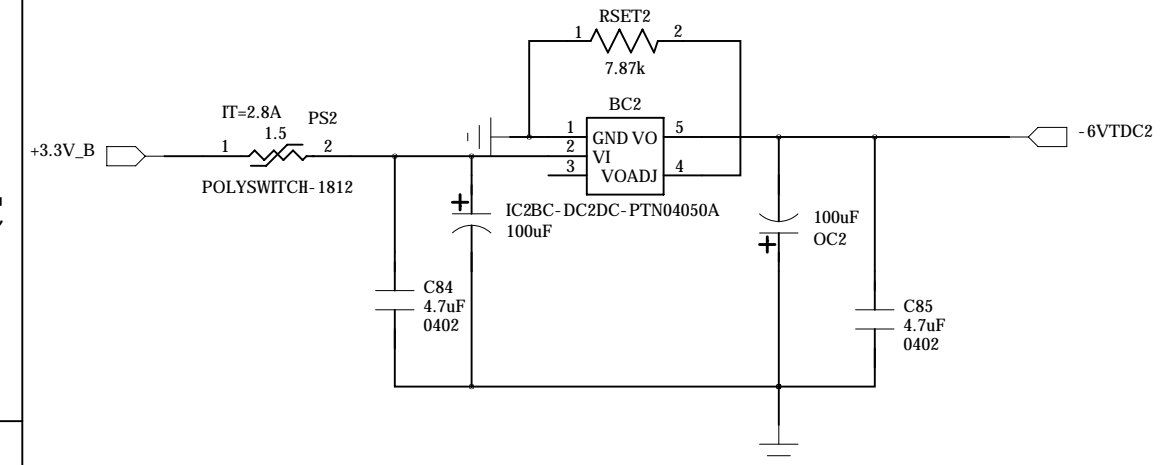
Max. output power: 6W
Max. Output current: 1A



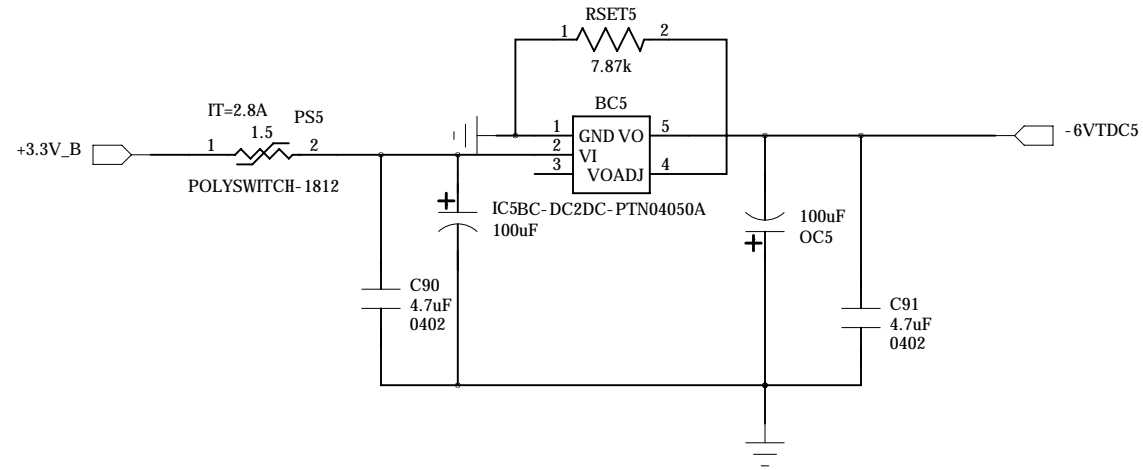
at least 1%, 100ppm. Vout=-7V
Connect the resistor directly between pins 4 and 1



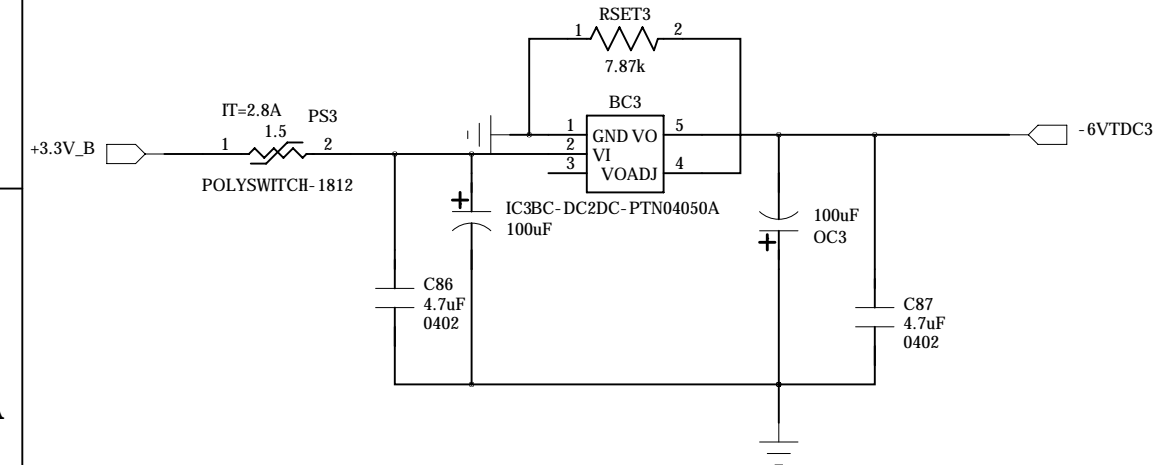
at least 1%, 100ppm. Vout=-7V
Connect the resistor directly between pins 4 and 1



at least 1%, 100ppm. Vout=-7V
Connect the resistor directly between pins 4 and 1



at least 1%, 100ppm. Vout=-7V
Connect the resistor directly between pins 4 and 1



institution:	University of Hawaii at Manoa High Energy Physics Lab Instrumentation Development Lab
title:	KLM RHIC
revision:	B
IDLAB design #:	IDL_14_013
circuit design:	XS MZA GSV
PCB design:	XS MZA GSV
sheet #:	
sheet description:	
date last modified:	April-20-2014

6

5

4

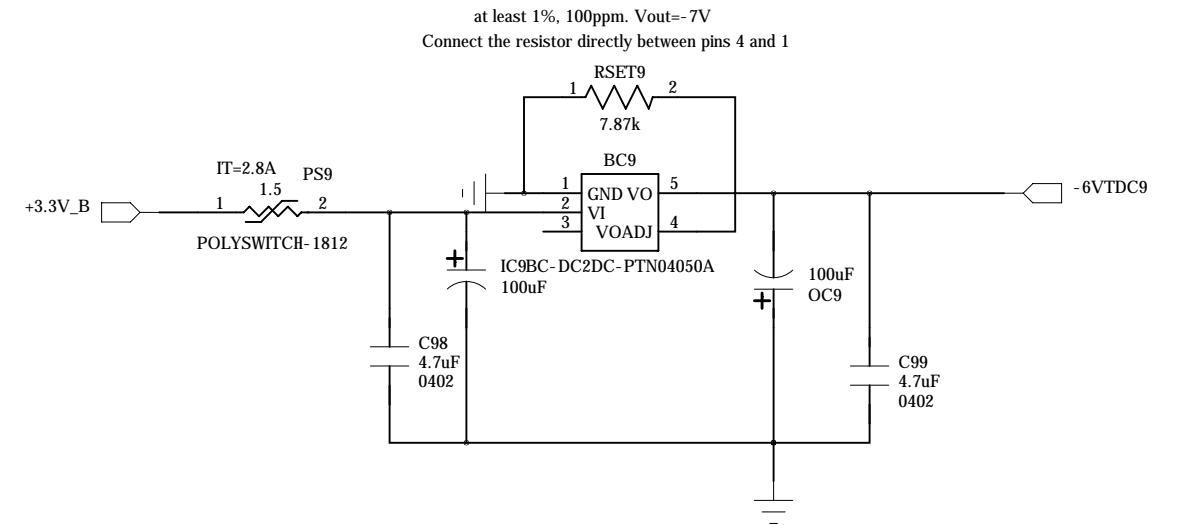
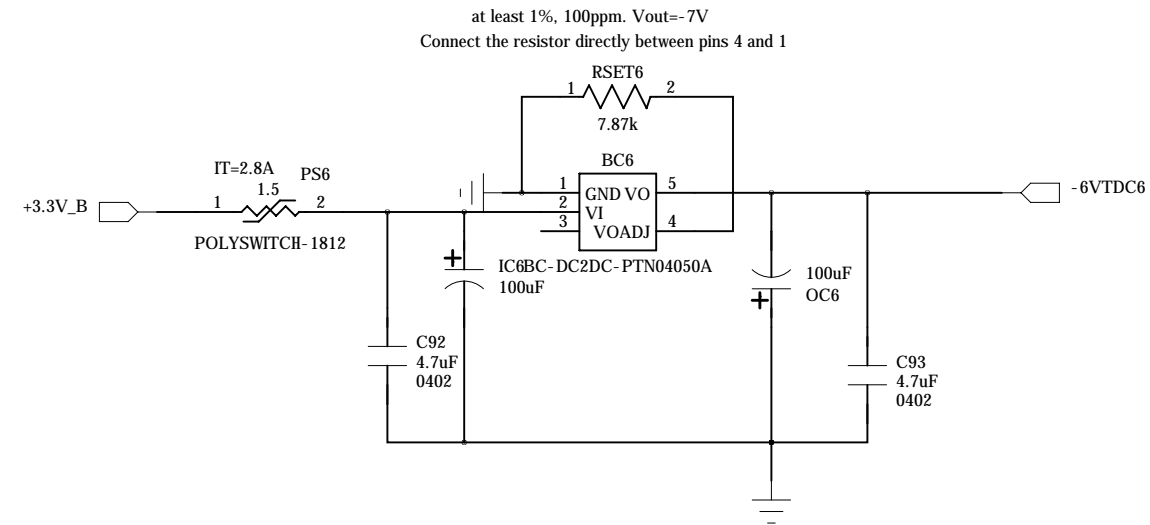
3

2

1

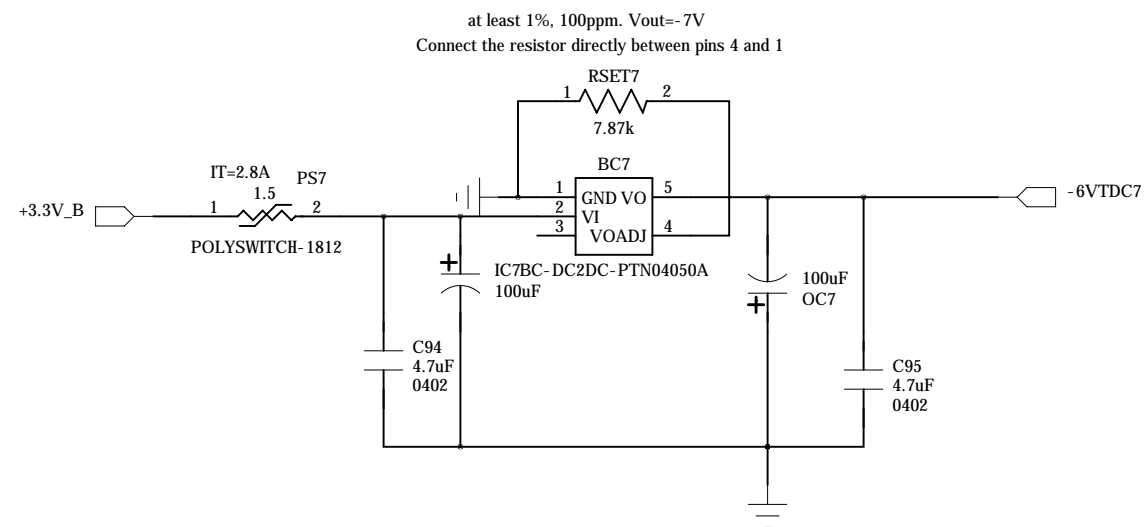
E

E



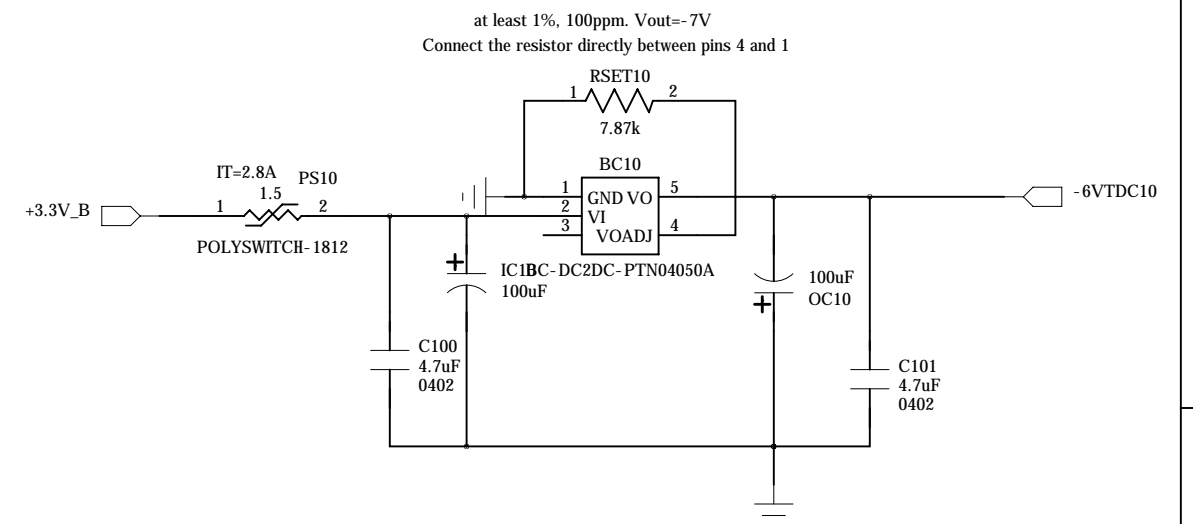
D

D



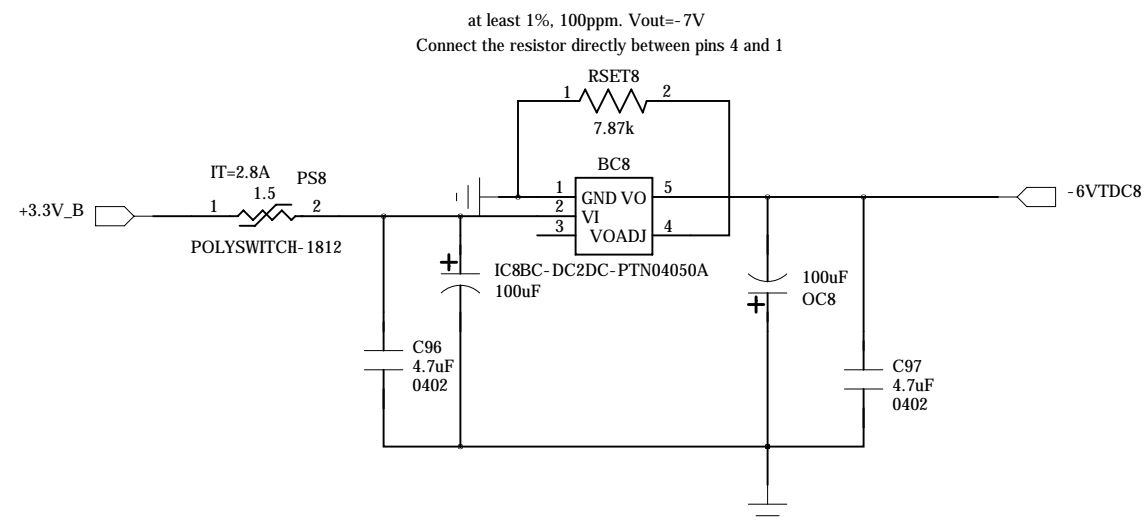
C

C



B

B



A

A

institution: University of Hawaii at Manoa
High Energy Physics Lab
Instrumentation Development Lab

title: KLM RHIC
revision: B
IDLAB design #: IDL 14 013
circuit design: XS MZA GSV
PCB design: XS MZA GSV

sheet #:
sheet description:
date last modified: April-20-2014

6

5

4

3

2

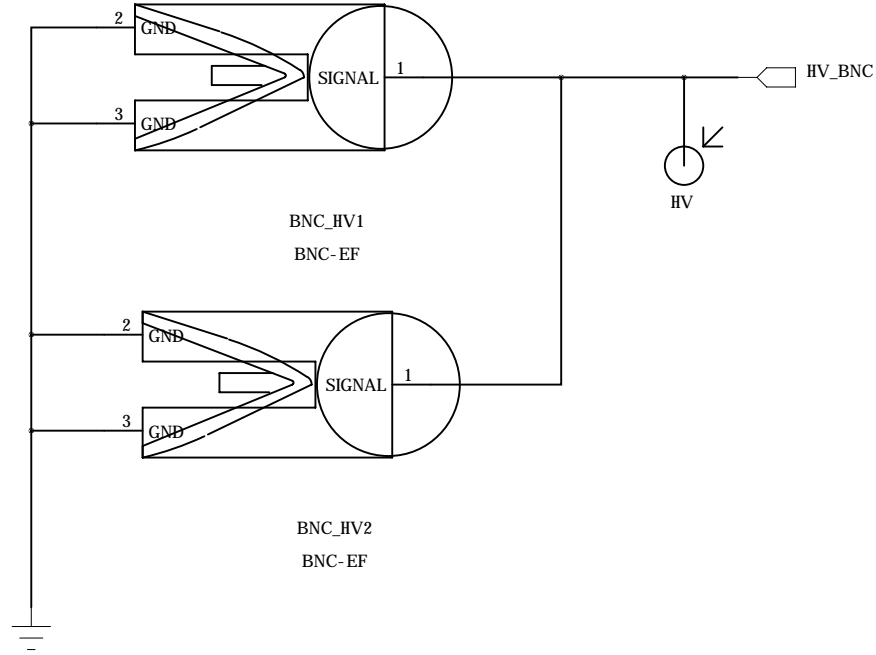
1

E

E

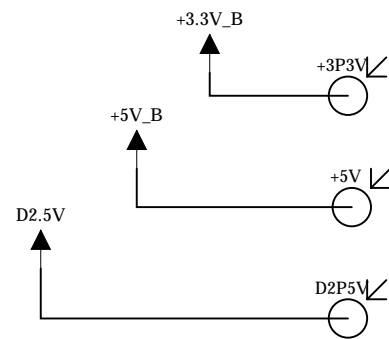
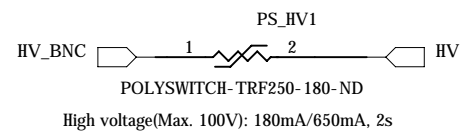
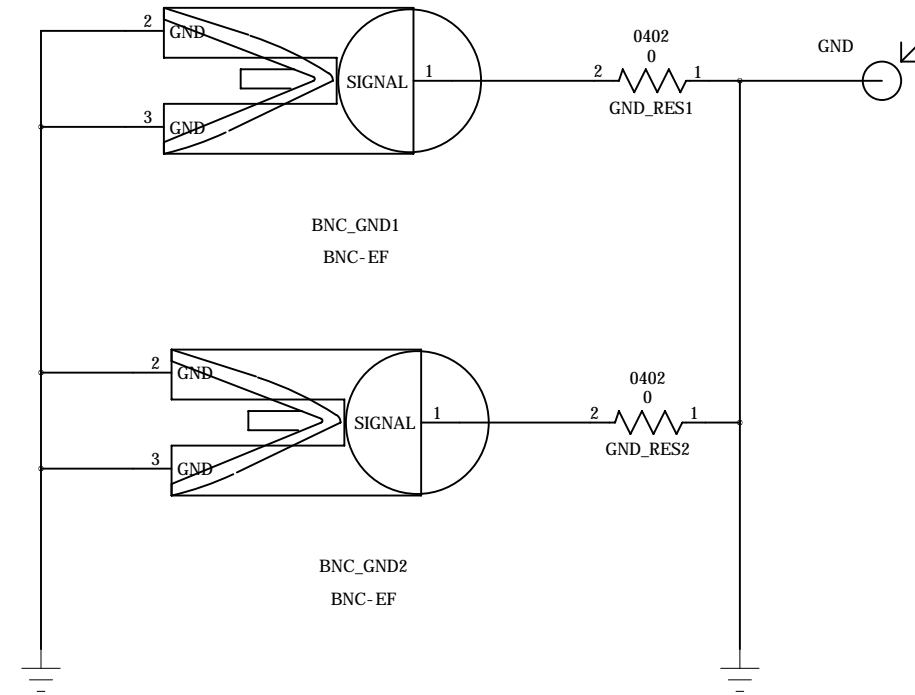
2 BNC connectors for HV.

Due to the space constraint install ONLY one!



2 BNC connectors for GND.

Due to the space constraint install ONLY one!



B

B

C

C

D

D

A

A

institution:	University of Hawaii at Manoa High Energy Physics Lab Instrumentation Development Lab
title:	KLM RHIC
revision:	B
IDLAB design #:	IDL_14_013
circuit design:	XS MZA GSV
PCB design:	XS MZA GSV
sheet #:	
sheet description:	
date last modified:	April-20-2014

6

5

4

3

2

1

E

E

D

D

C

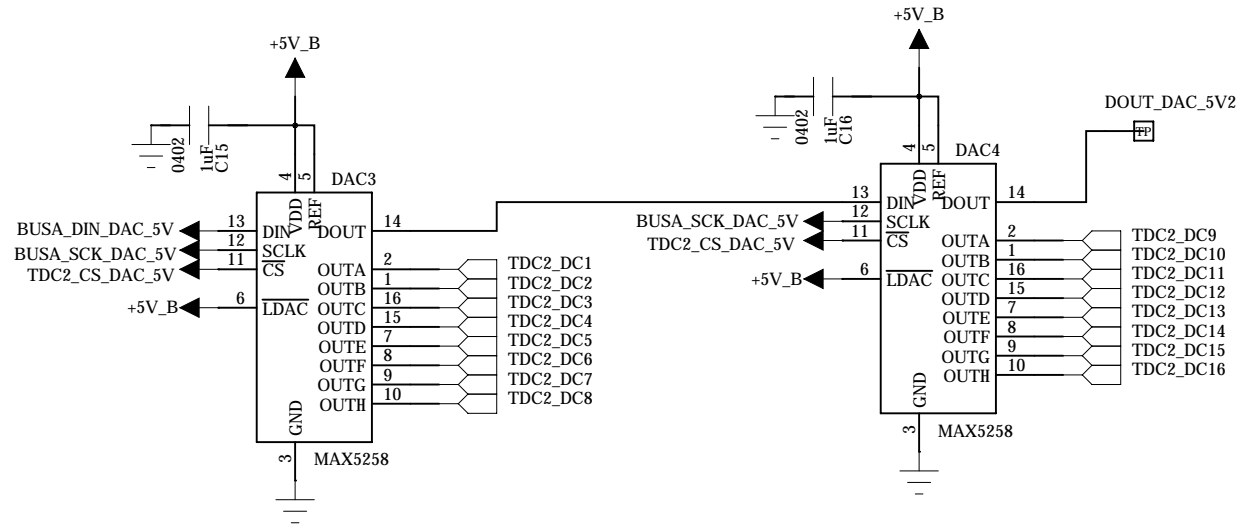
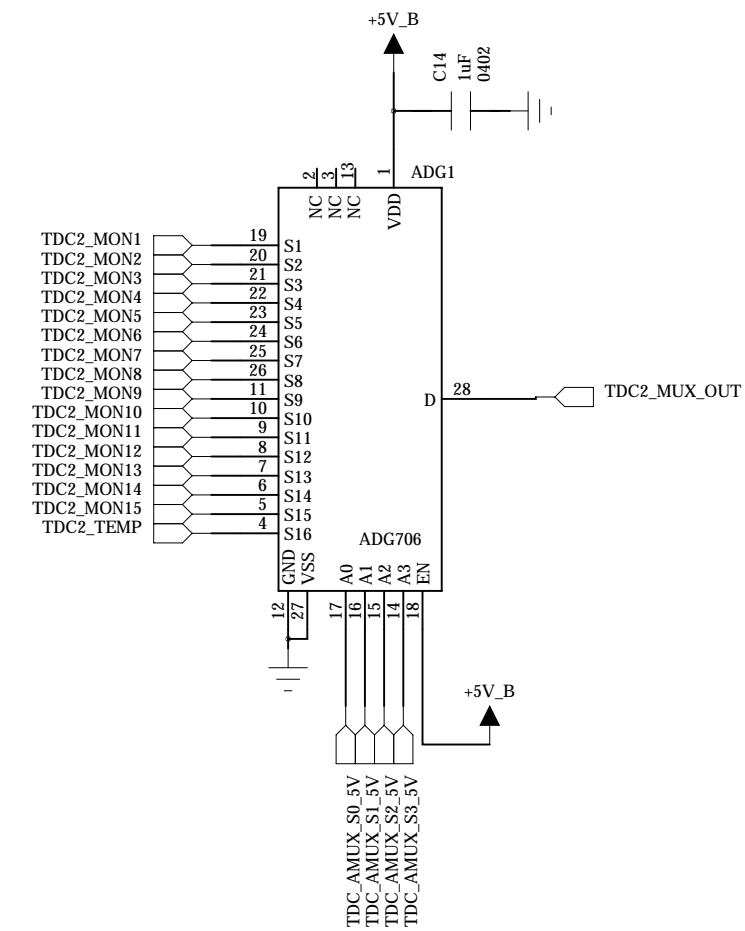
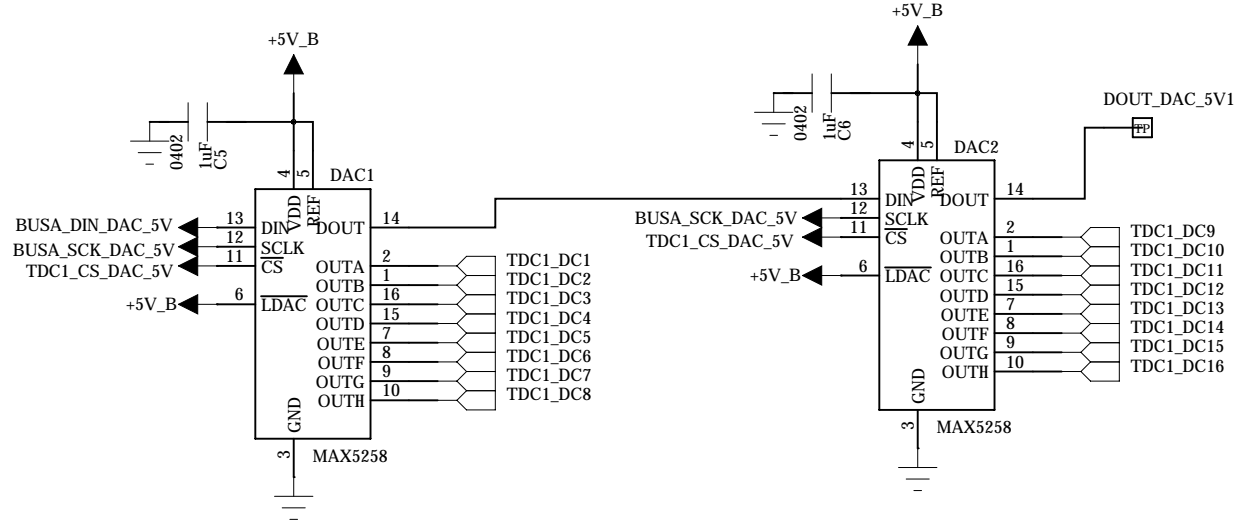
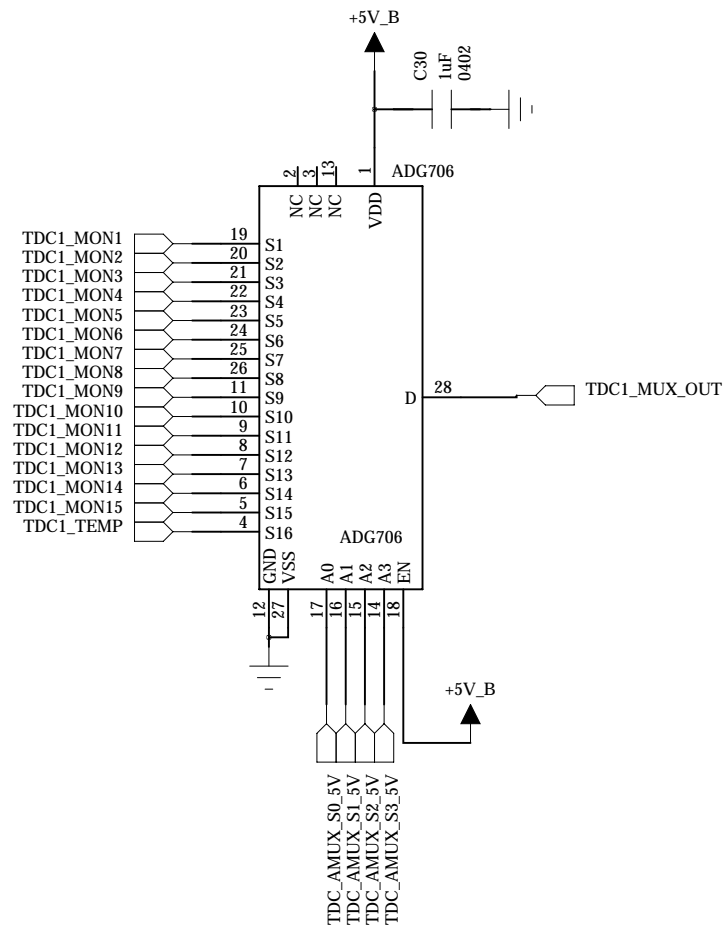
C

B

B

A

A



institution:	University of Hawaii at Manoa High Energy Physics Lab Instrumentation Development Lab
title:	KLM RHIC
revision:	B
IDLAB design #:	IDL_14_013
circuit design:	XS MZA GSV
PCB design:	XS MZA GSV
sheet #:	
sheet description:	
date last modified:	April-20-2014

6

5

4

3

2

1

E

E

D

D

C

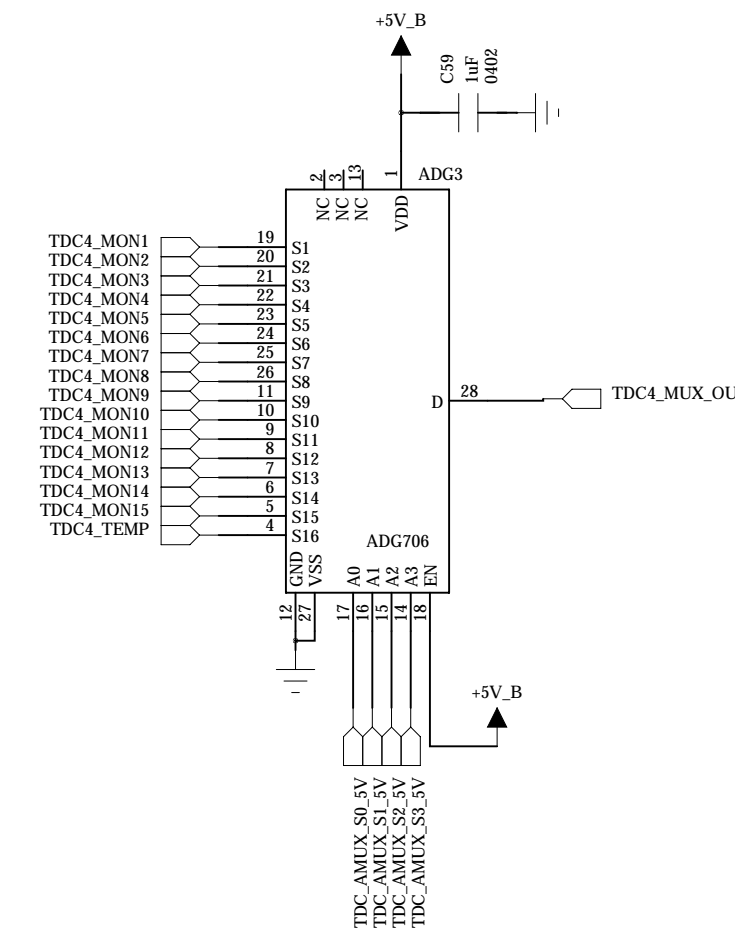
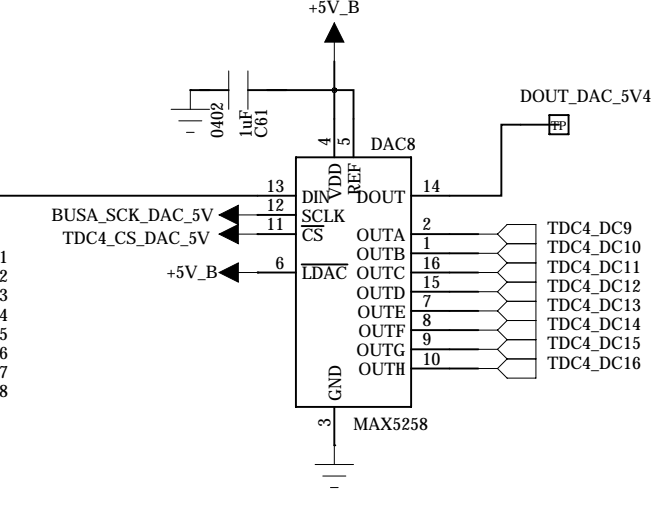
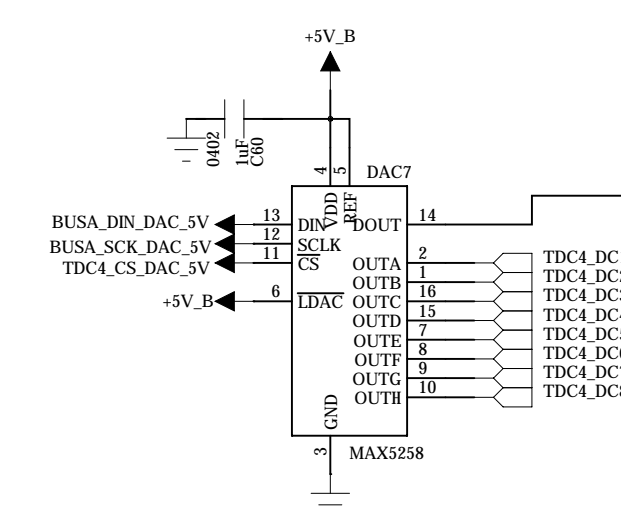
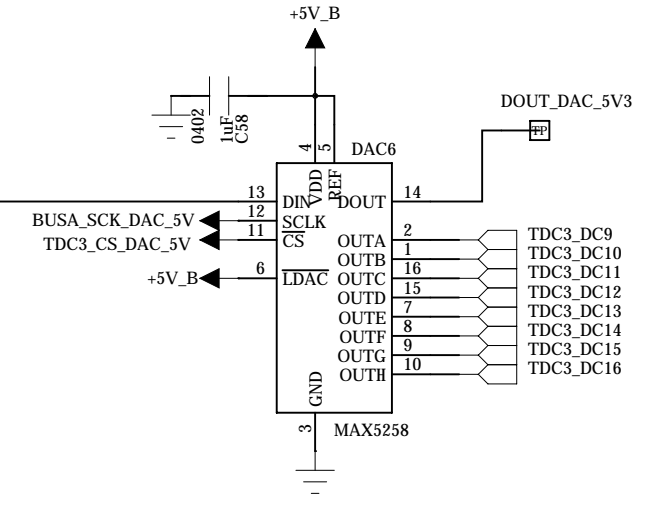
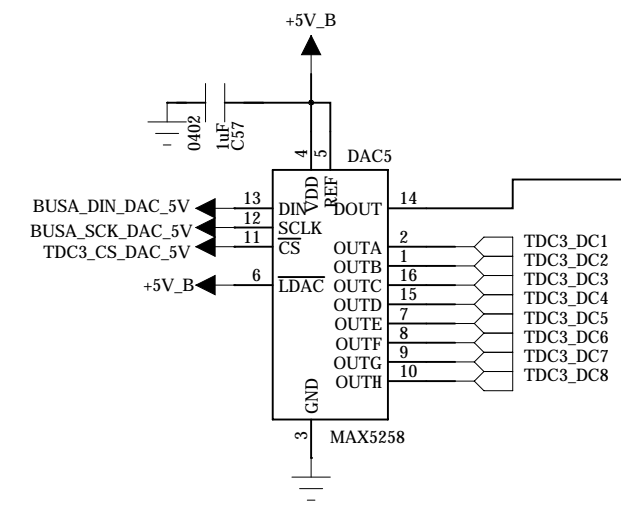
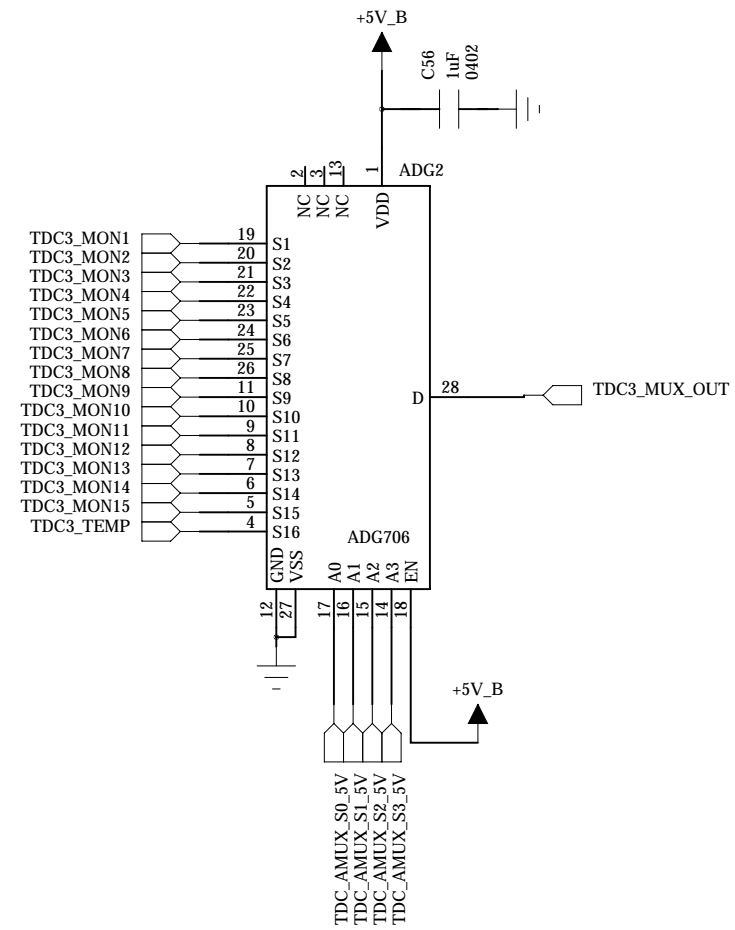
C

B

B

A

A



institution:	University of Hawaii at Manoa High Energy Physics Lab Instrumentation Development Lab
title:	KLM RHIC
revision:	B
IDLAB design #:	IDL_14_013
circuit design:	XS MZA GSV
PCB design:	XS MZA GSV
sheet #:	
sheet description:	
date last modified:	April-20-2014

6

5

4

3

2

1

E

E

D

D

C

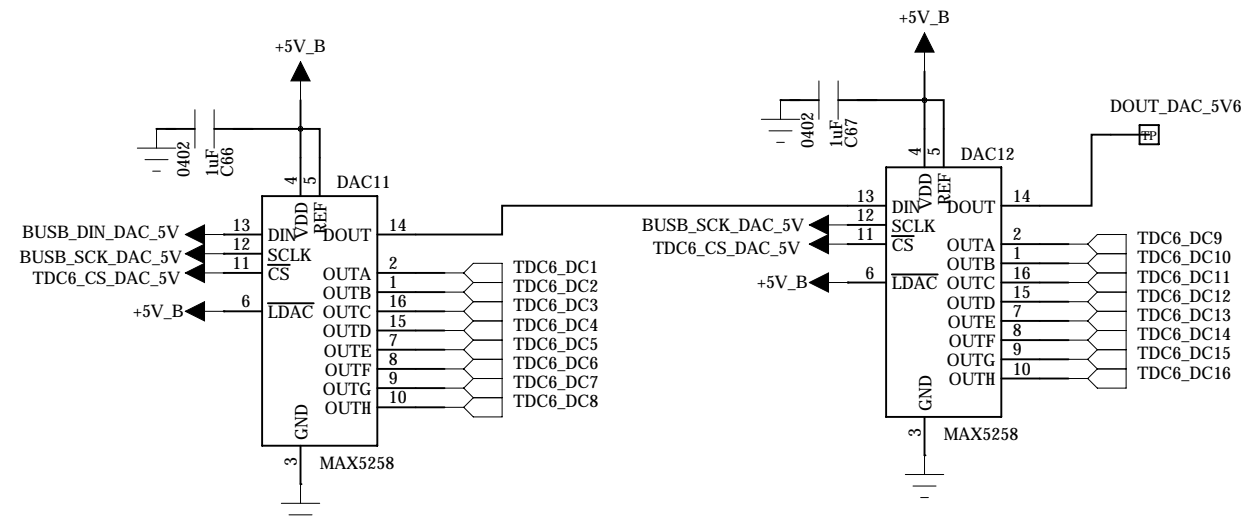
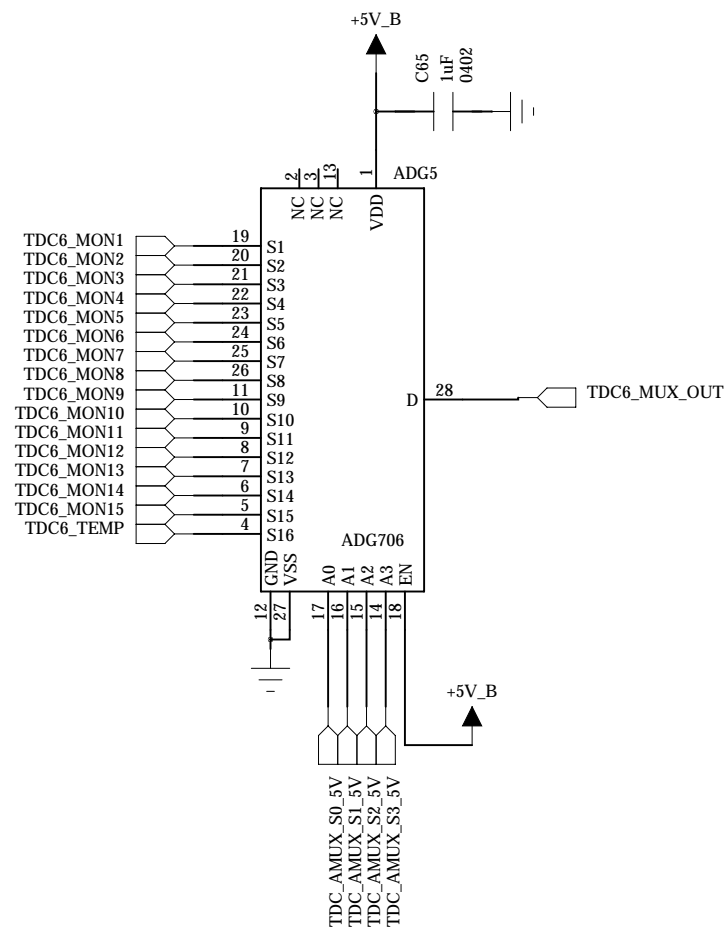
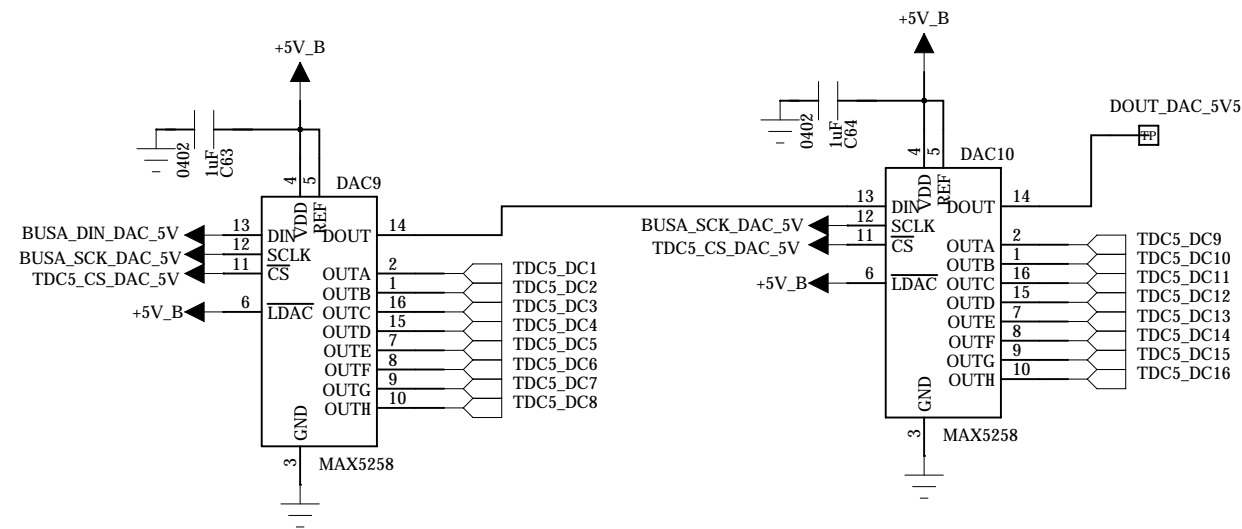
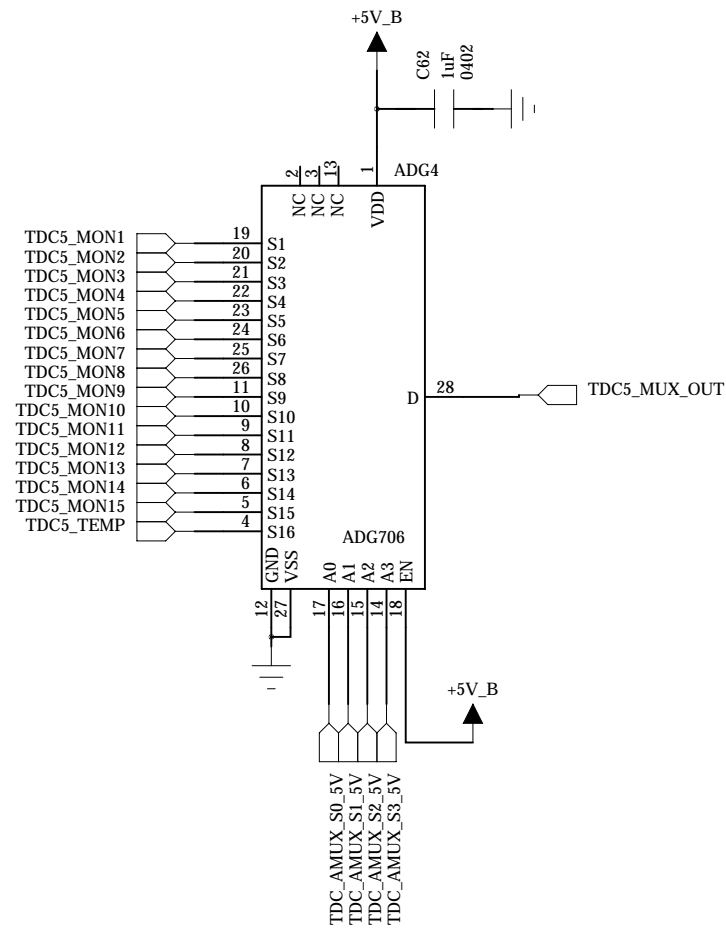
C

B

B

A

A



institution:	University of Hawaii at Manoa High Energy Physics Lab Instrumentation Development Lab
title:	KLM RHIC
revision:	B
IDLAB design #:	IDL 14 013
circuit design:	XS MZA GSV
PCB design:	XS MZA GSV
sheet #:	
sheet description:	
date last modified:	April-20-2014

E

E

D

D

C

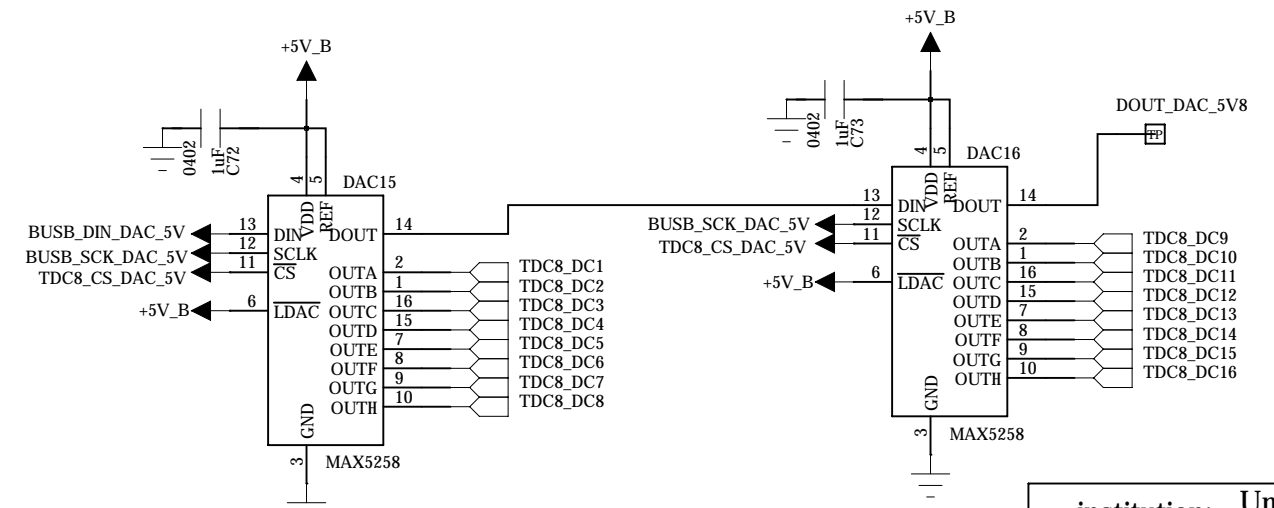
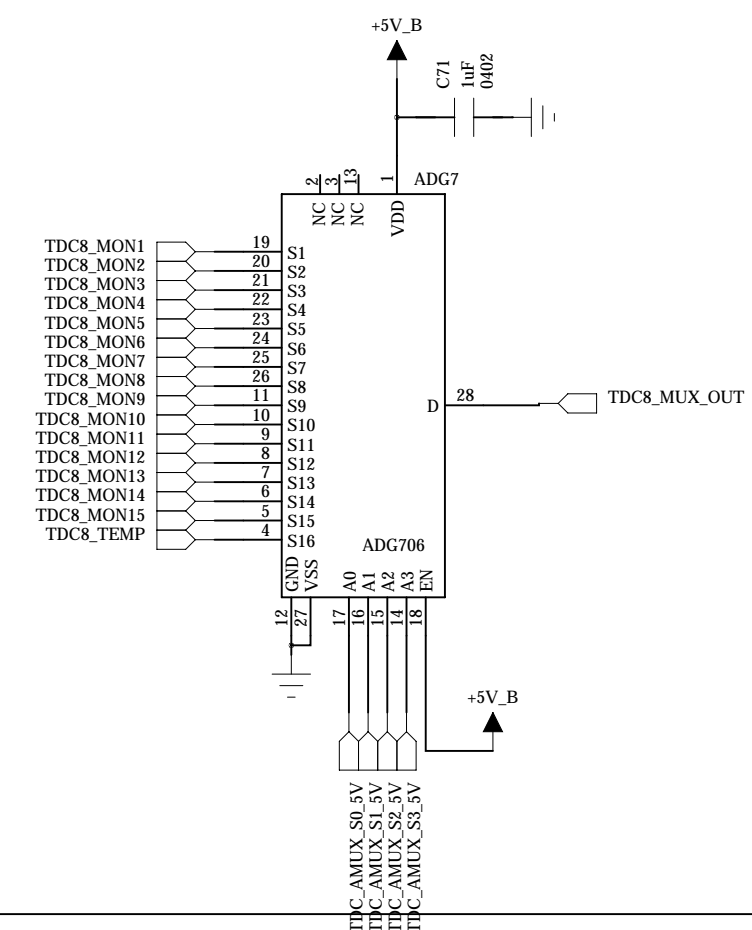
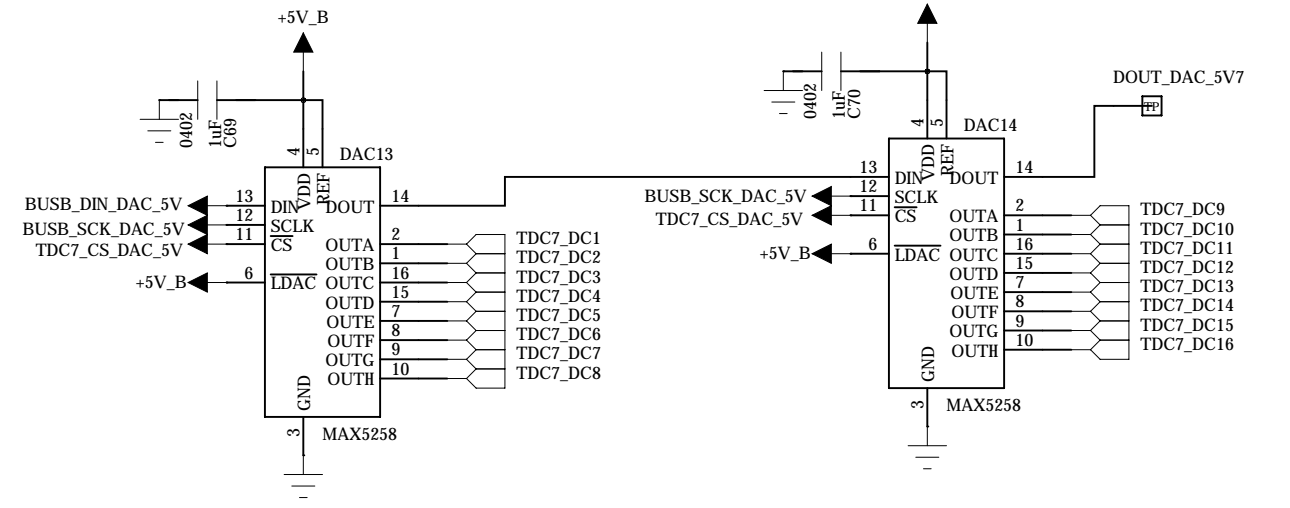
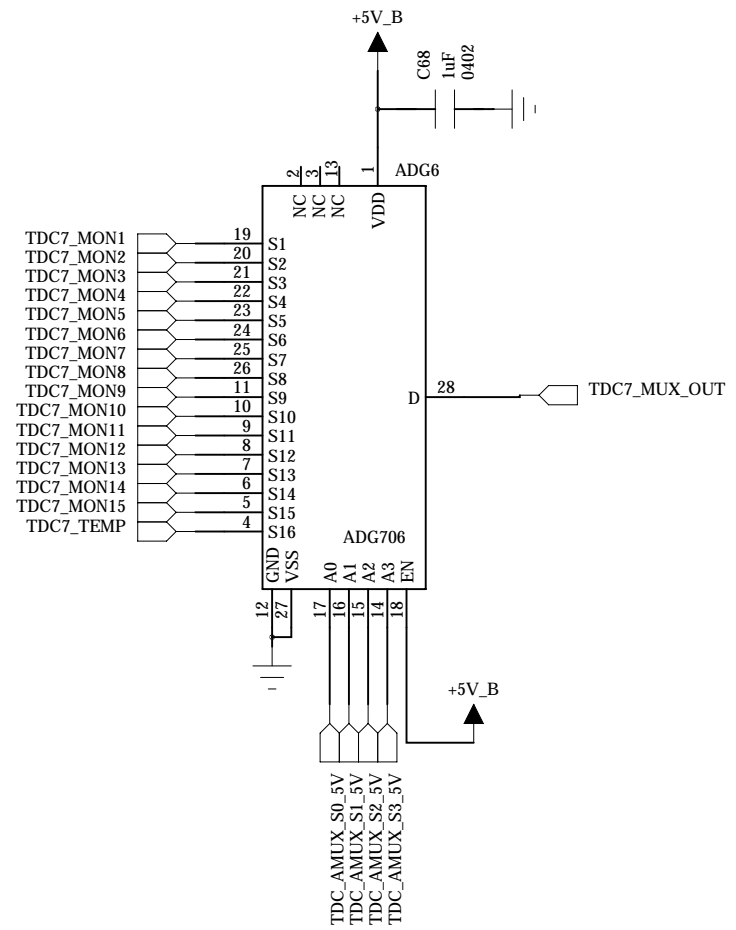
C

B

B

A

A



institution:	University of Hawaii at Manoa High Energy Physics Lab Instrumentation Development Lab
title:	KLM RHIC
revision:	B
IDLAB design #:	IDL 14 013
circuit design:	XS MZA GSV
PCB design:	XS MZA GSV
sheet #:	
sheet description:	
date last modified:	April-20-2014

E

E

D

D

C

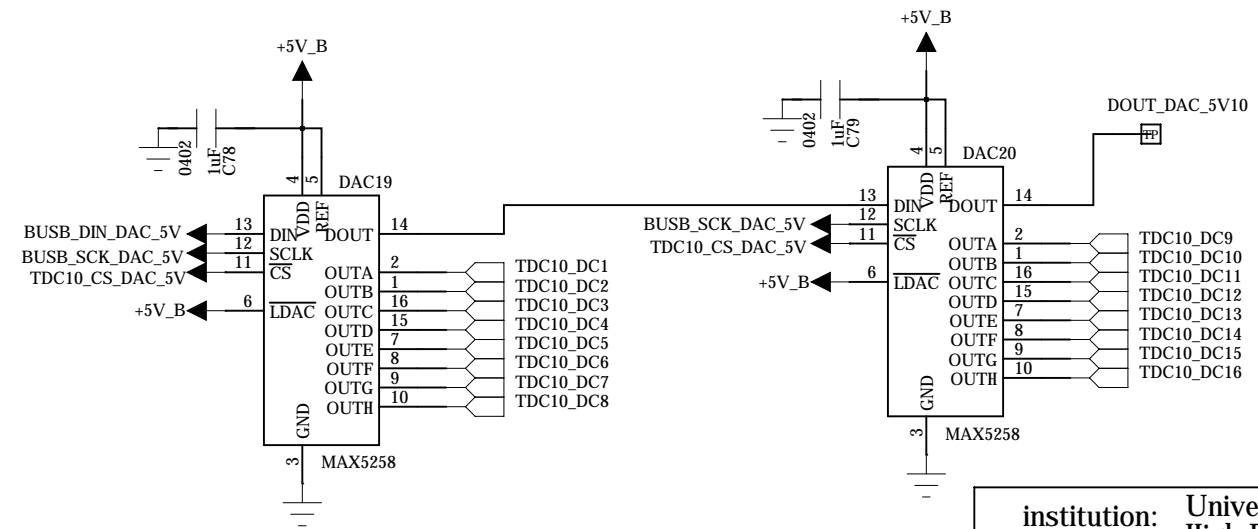
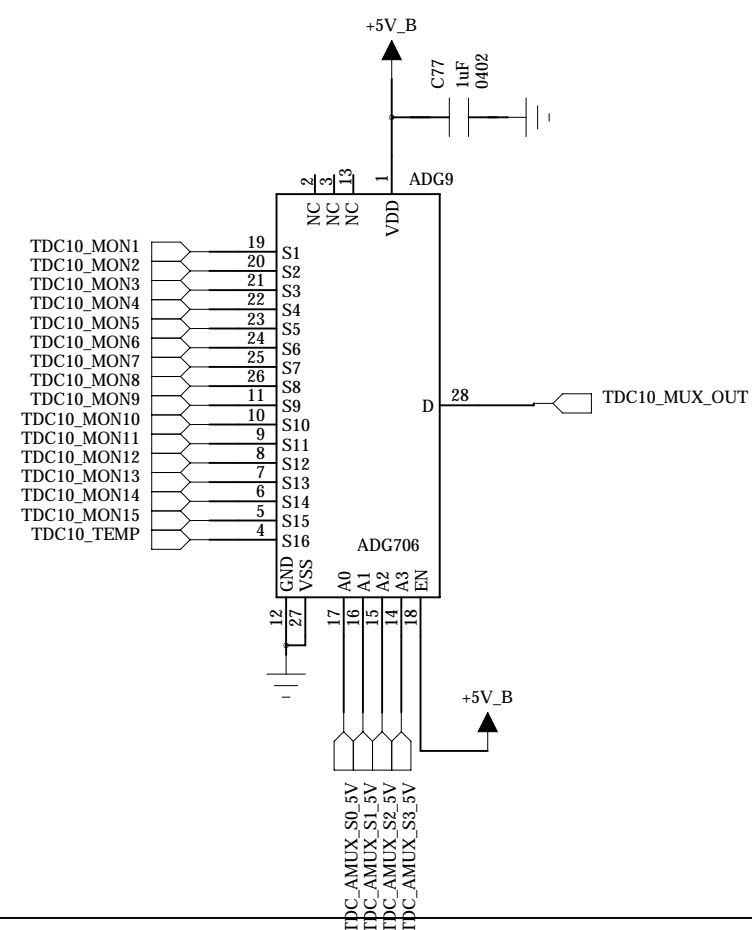
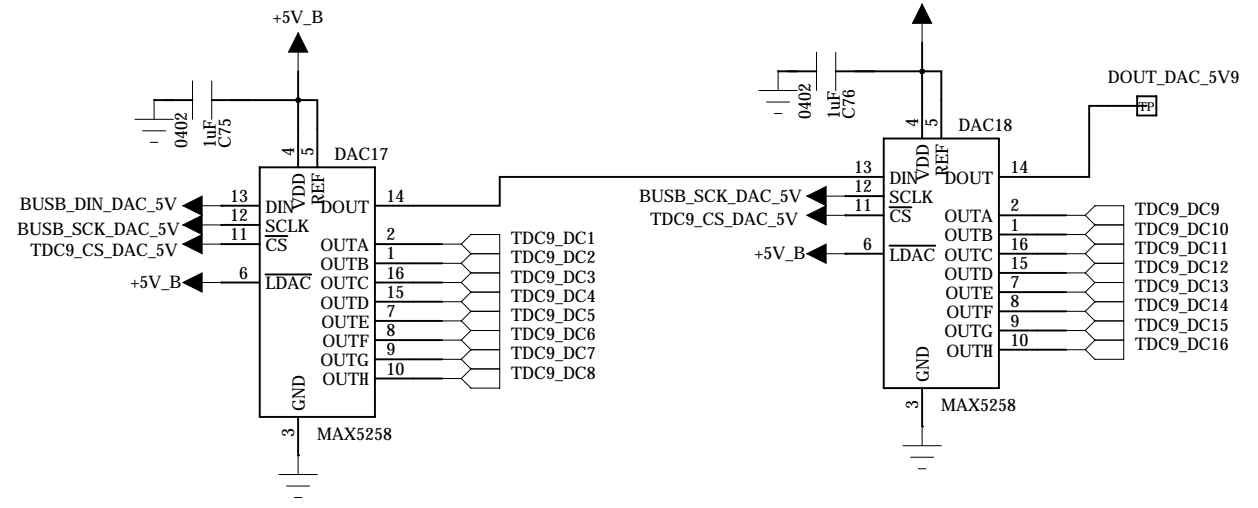
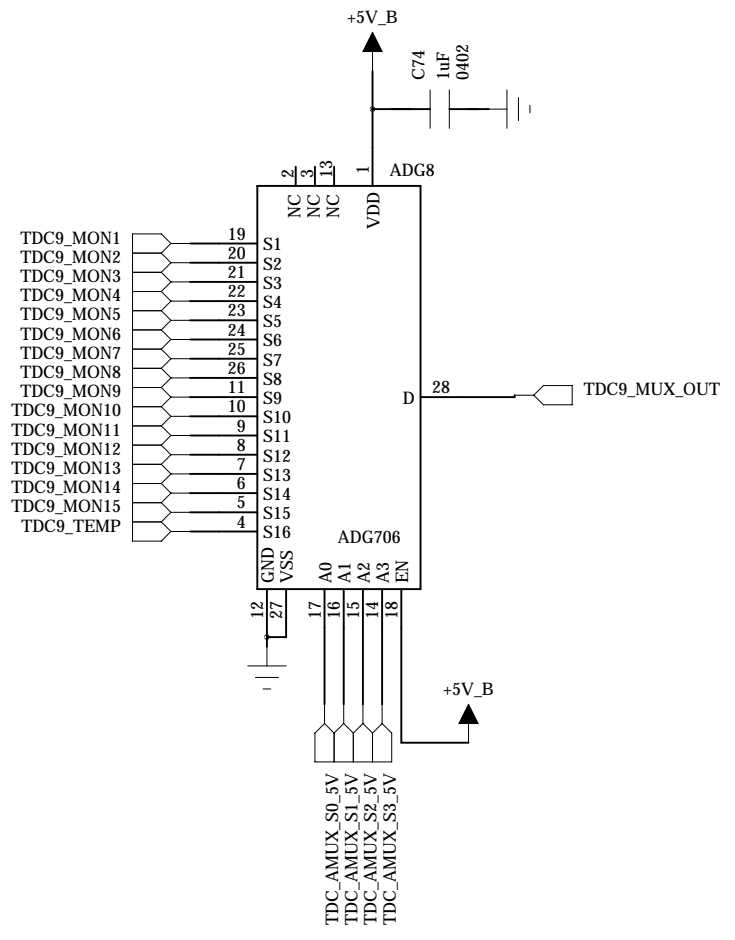
C

B

B

A

A



institution:	University of Hawaii at Manoa High Energy Physics Lab Instrumentation Development Lab
title:	KLM RHIC
revision:	B
IDLAB design #:	IDL_14_013
circuit design:	XS MZA GSV
PCB design:	XS MZA GSV
sheet #:	
sheet description:	
date last modified:	April-20-2014

E

E

D

D

C

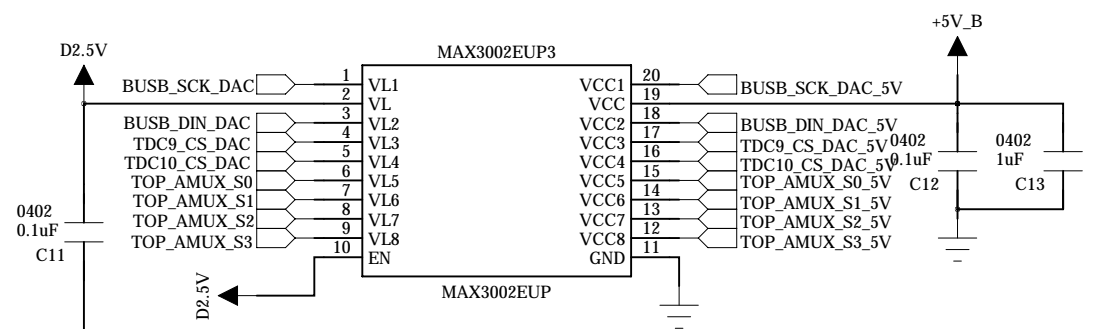
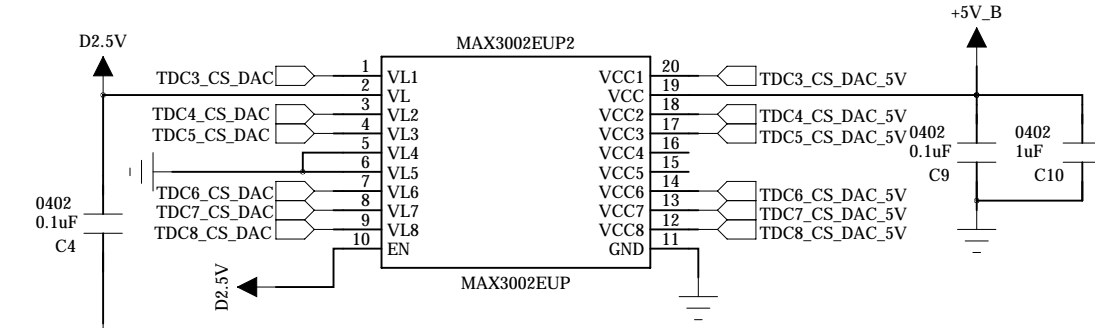
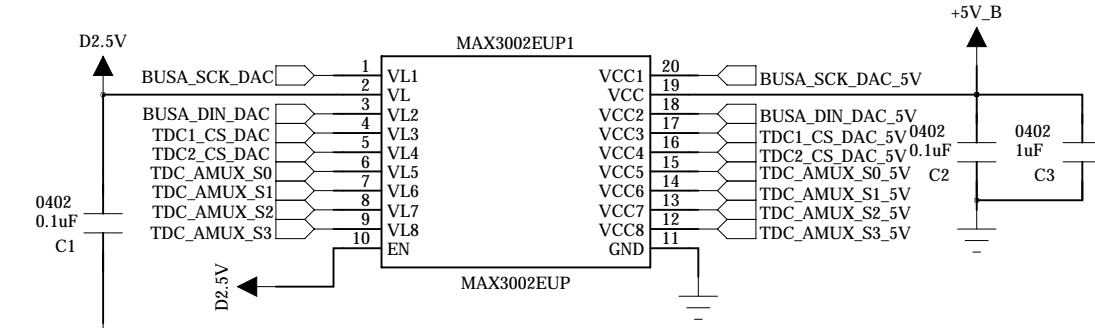
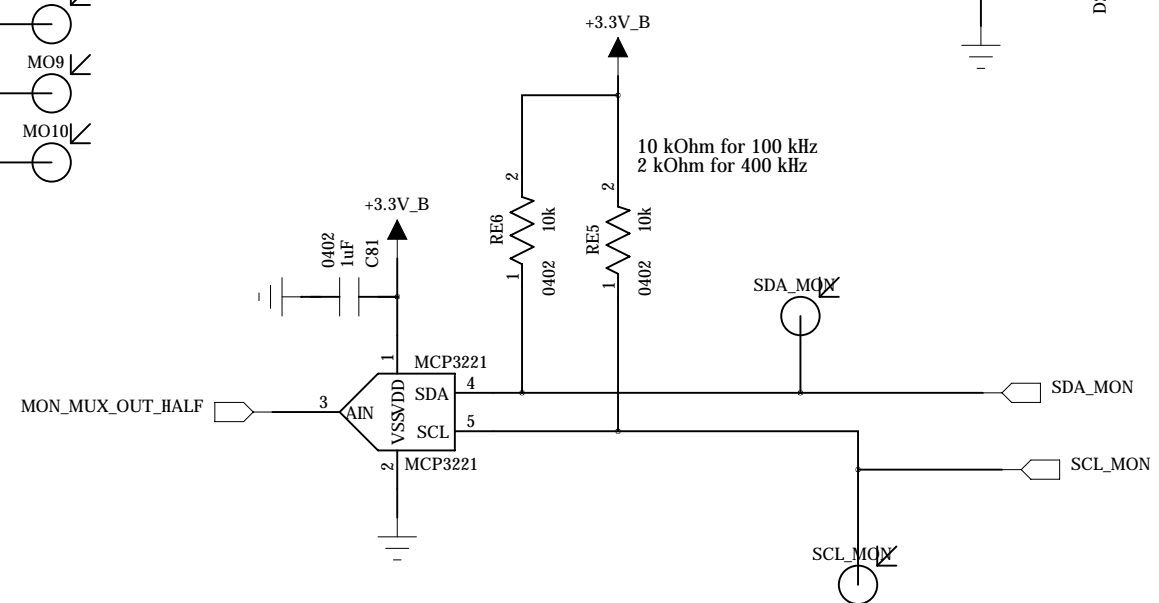
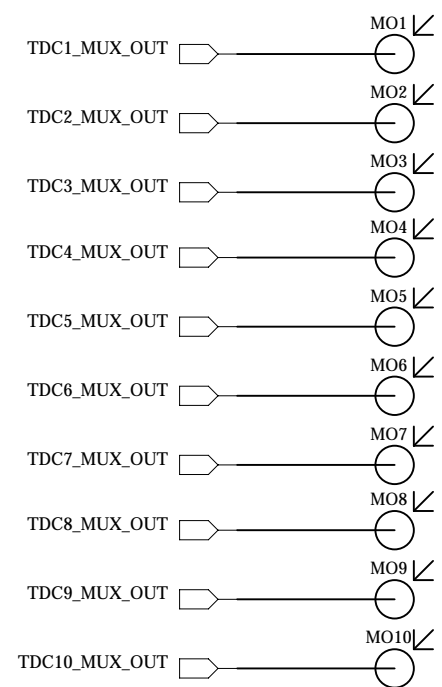
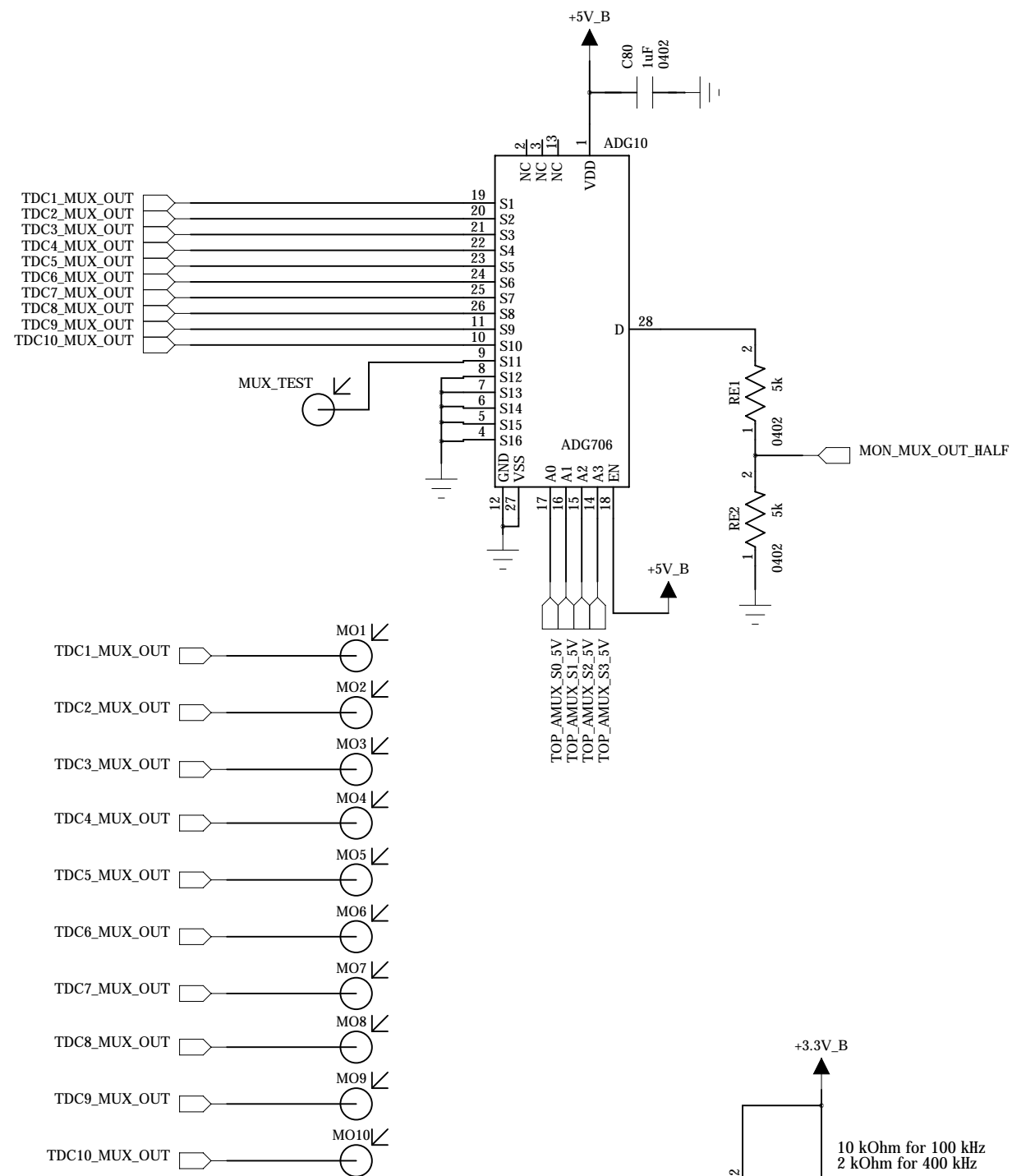
C

B

B

A

A



institution:	University of Hawaii at Manoa High Energy Physics Lab Instrumentation Development Lab
title:	KLM RHIC
revision:	B
IDLAB design #:	IDL_14_013
circuit design:	XS MZA GSV
PCB design:	XS MZA GSV
sheet #:	
sheet description:	
date last modified:	April-20-2014

E

E

D

D

C

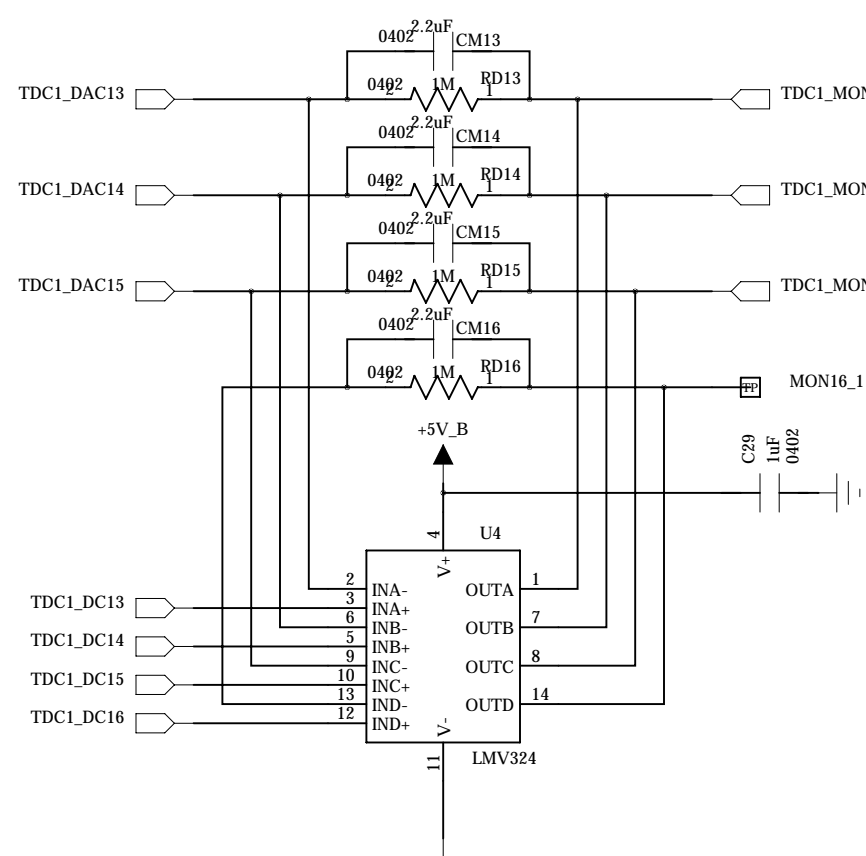
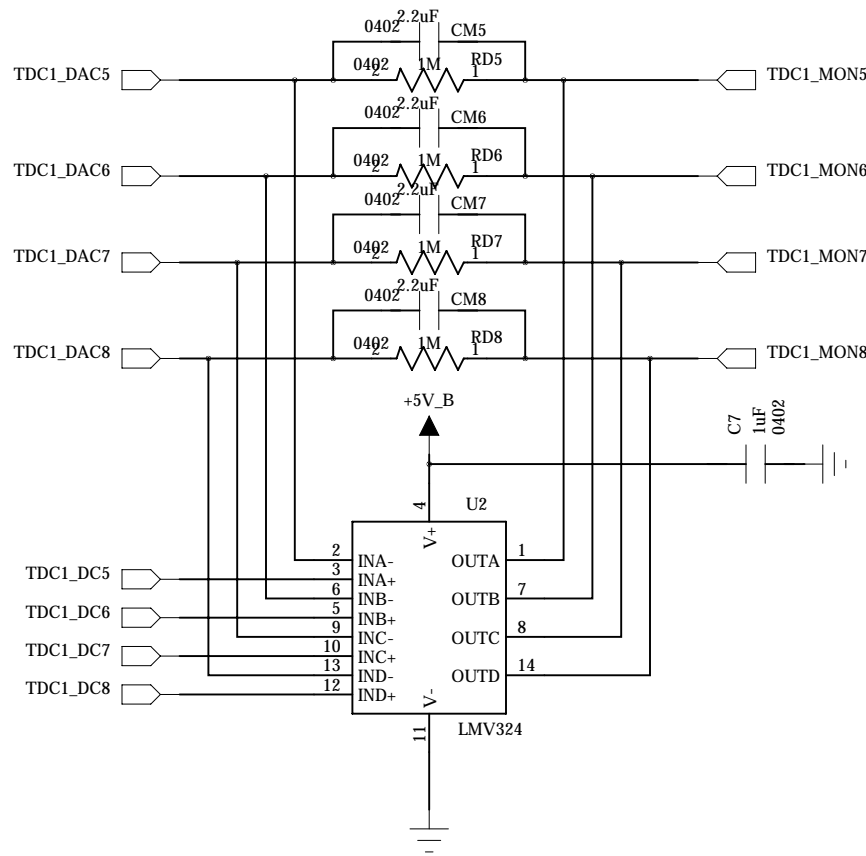
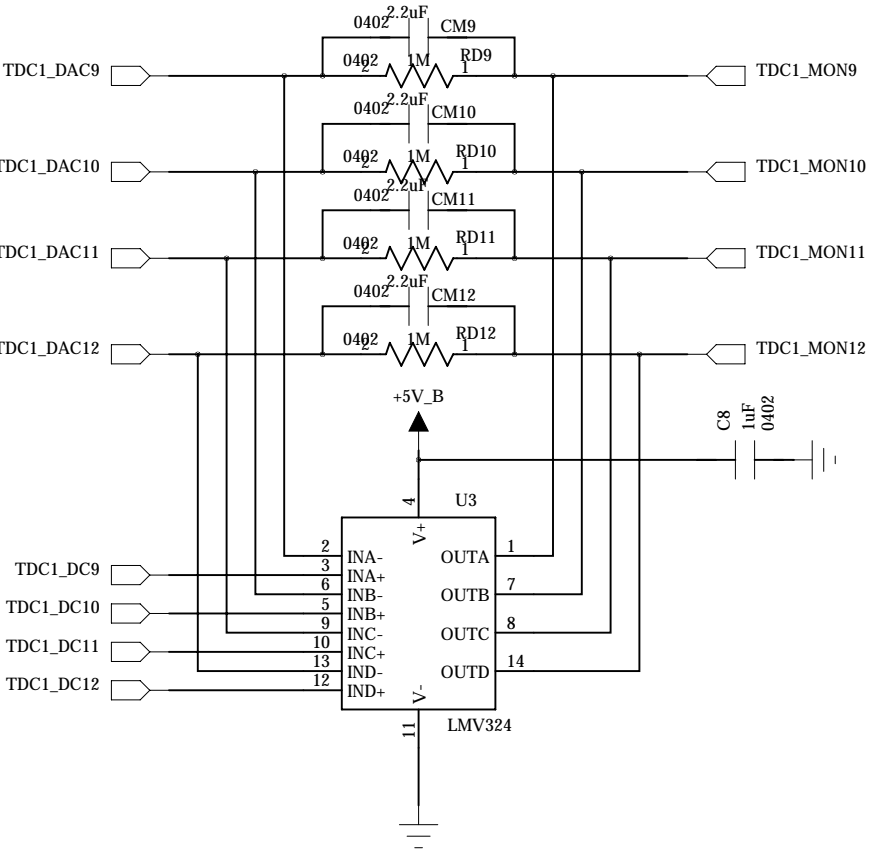
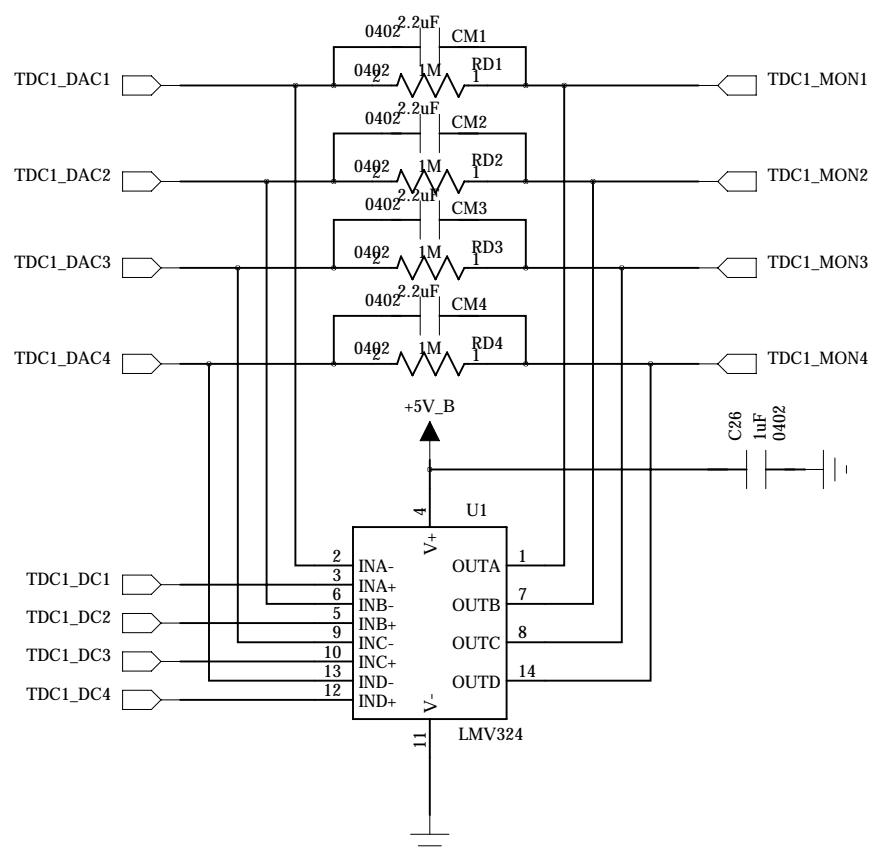
C

B

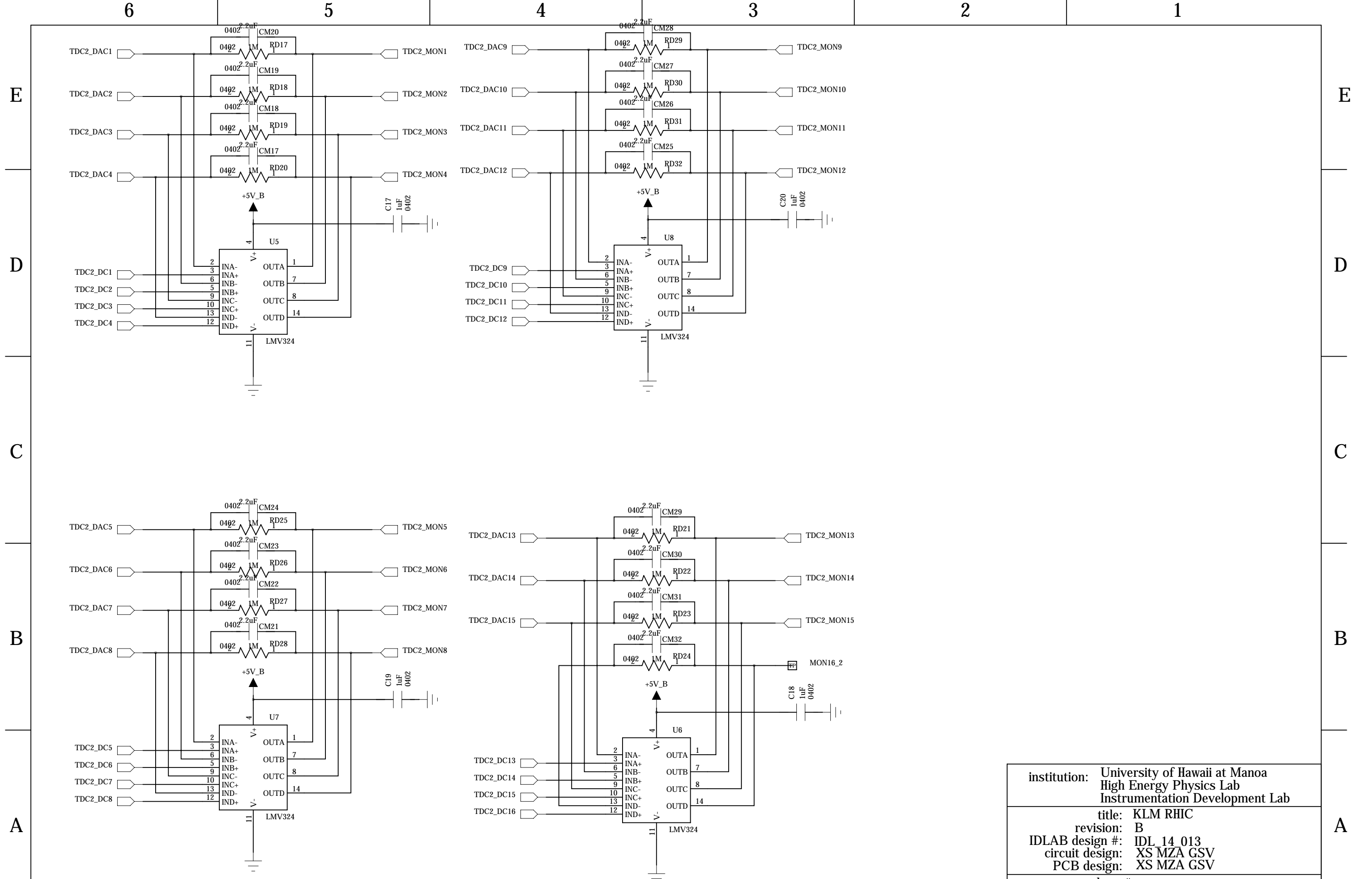
B

A

A



institution:	University of Hawaii at Manoa High Energy Physics Lab Instrumentation Development Lab
title:	KLM RHIC
revision:	B
IDLAB design #:	IDL 14 013
circuit design:	XS MZA GSV
PCB design:	XS MZA GSV
sheet #:	
sheet description:	
date last modified:	April-20-2014



institution:	University of Hawaii at Manoa High Energy Physics Lab Instrumentation Development Lab
title:	KLM RHIC
revision:	B
IDLAB design #:	IDL_14_013
circuit design:	XS MZA GSV
PCB design:	XS MZA GSV
sheet #:	
sheet description:	
date last modified:	April-20-2014

6

5

4

3

2

1

E

E

D

D

C

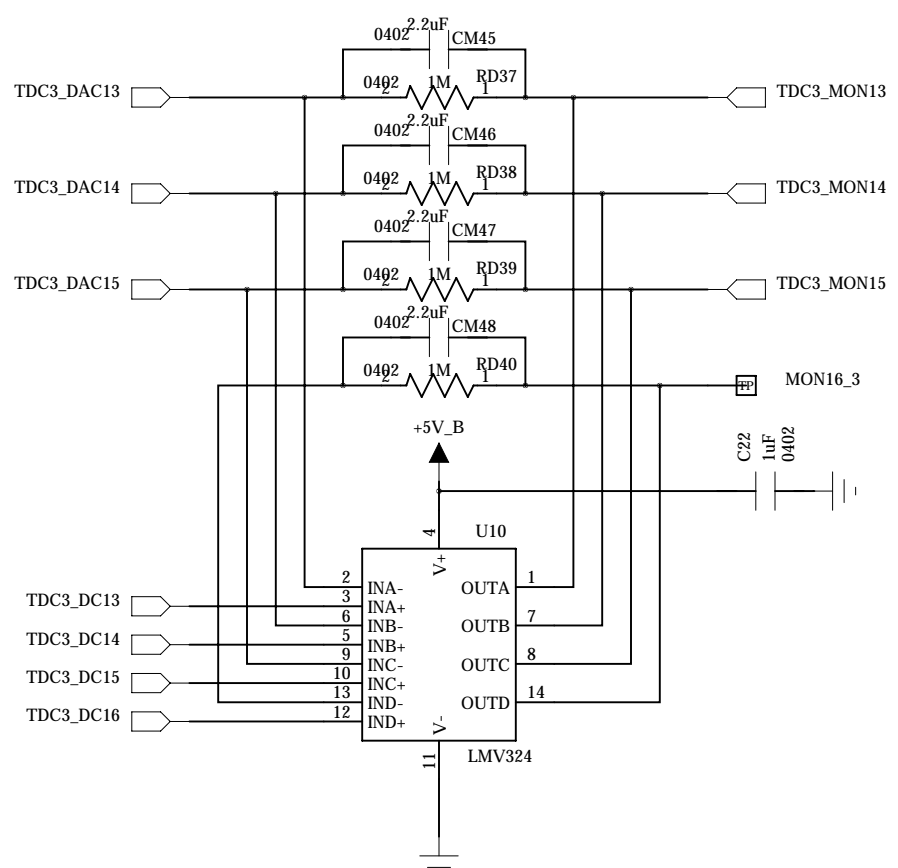
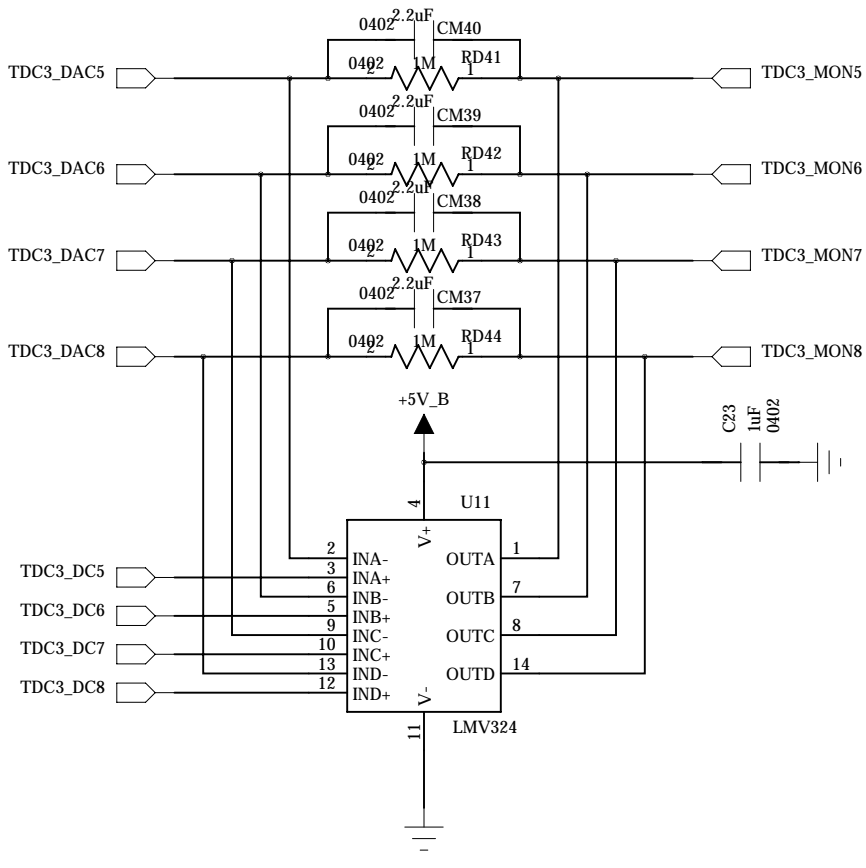
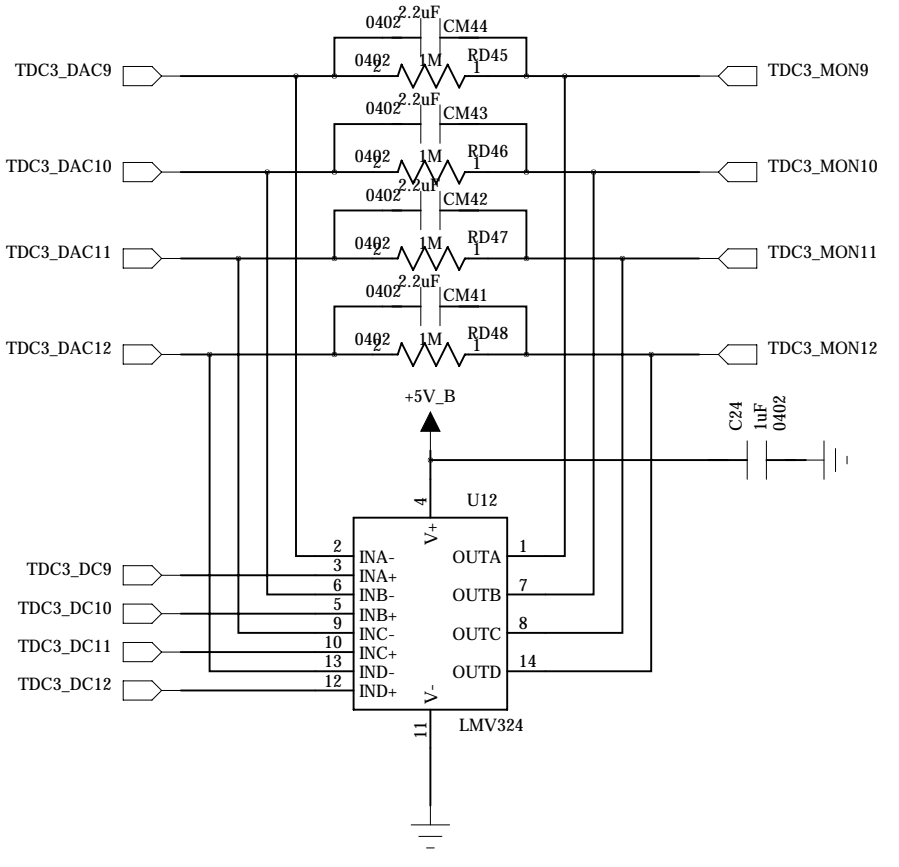
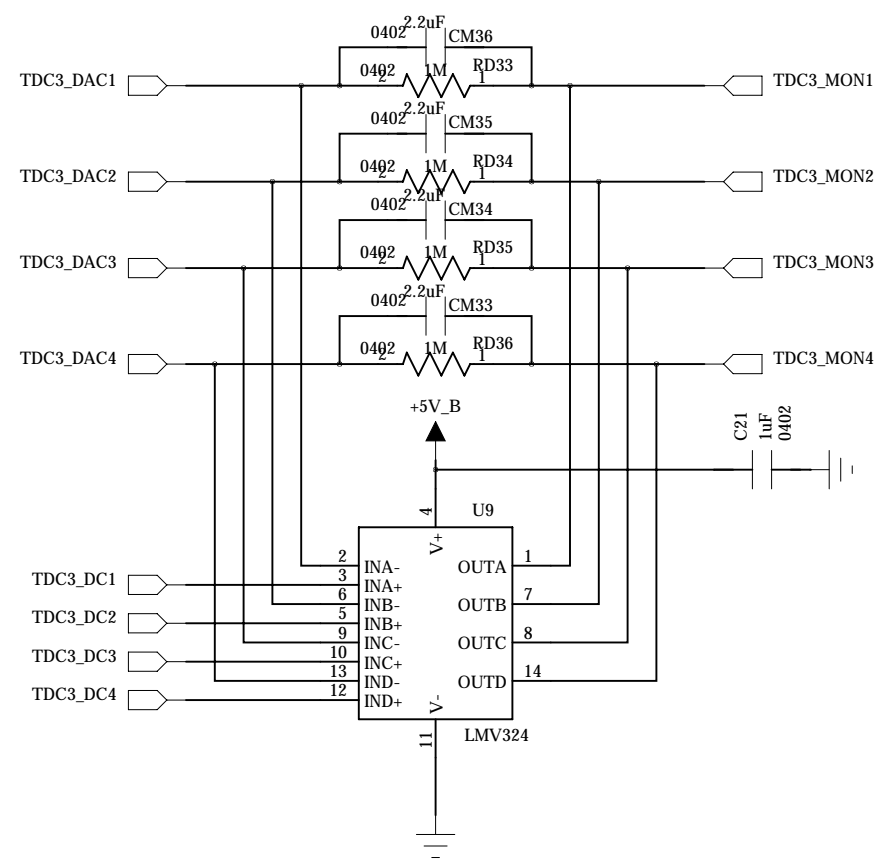
C

B

B

A

A



institution:	University of Hawaii at Manoa High Energy Physics Lab Instrumentation Development Lab
title:	KLM RHIC
revision:	B
IDLAB design #:	IDL 14 013
circuit design:	XS MZA GSV
PCB design:	XS MZA GSV
sheet #:	
sheet description:	
date last modified:	April-20-2014

6

5

4

3

2

1

E

E

D

D

C

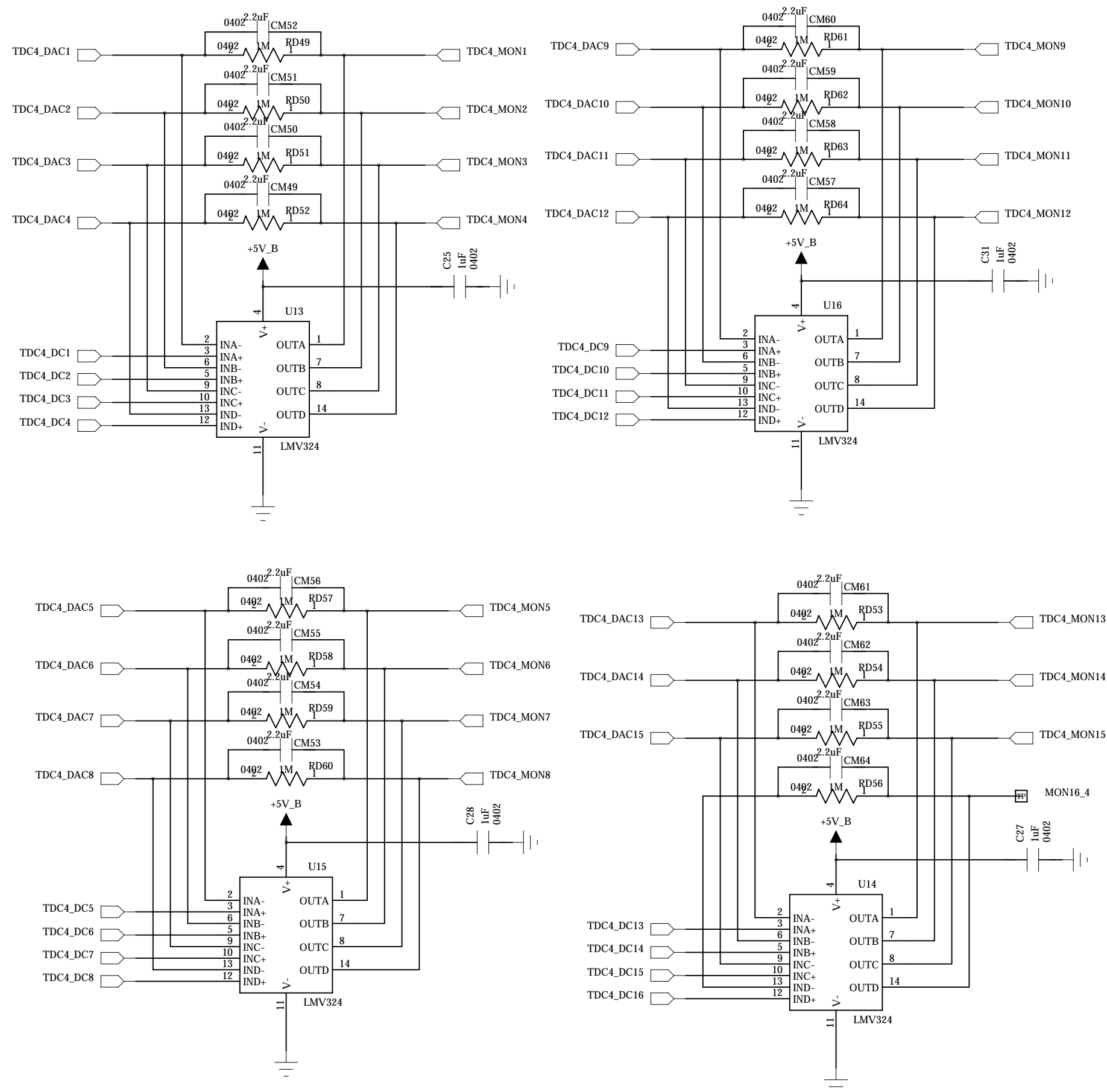
C

B

B

A

A



institution: University of Hawaii at Manoa
High Energy Physics Lab
Instrumentation Development Lab

title: KLM RHIC
revision: B
IDLAB design #: IDL_14_013
circuit design: XS MZA GSV
PCB design: XS MZA GSV

sheet #:
sheet description:
date last modified: April-20-2014

6

5

4

3

2

1

E

E

D

D

C

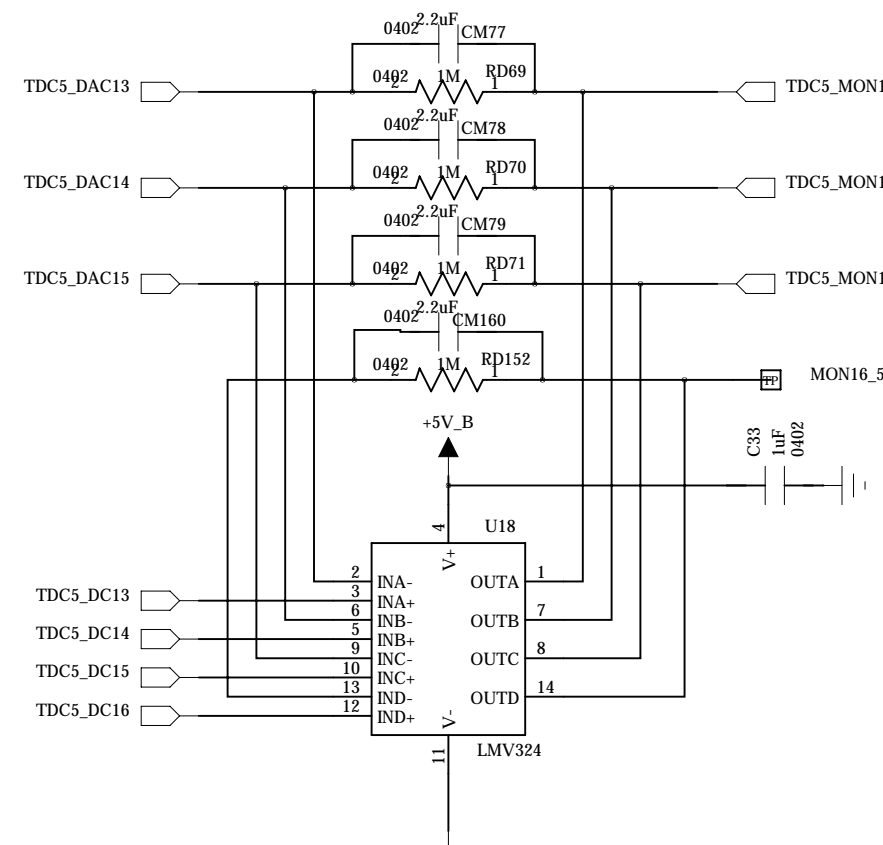
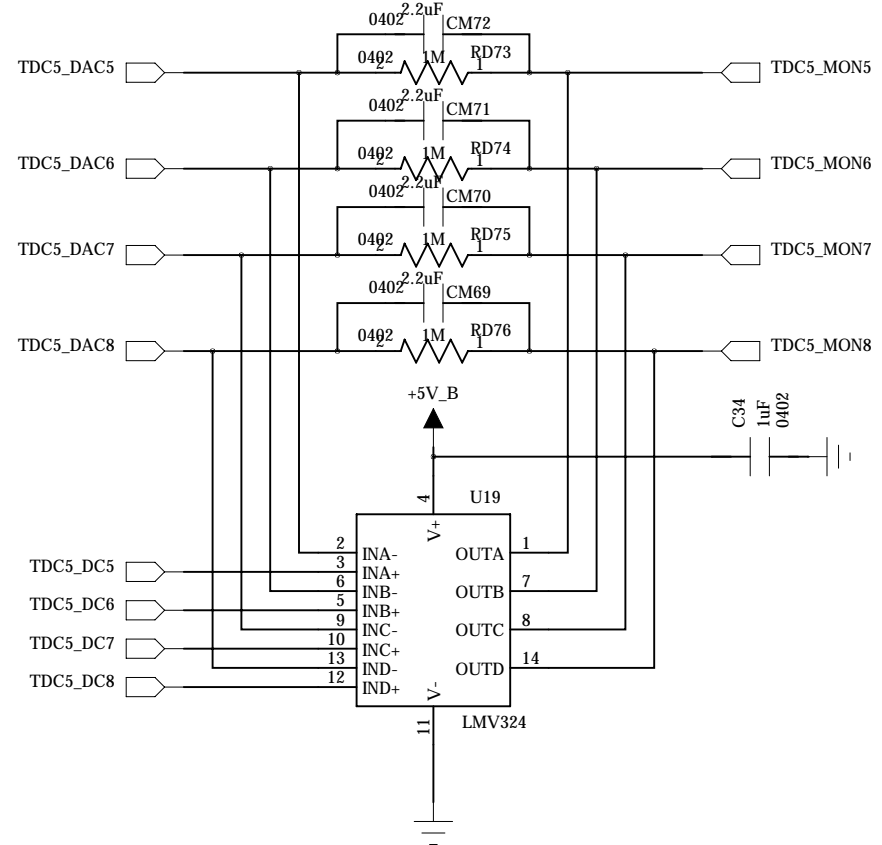
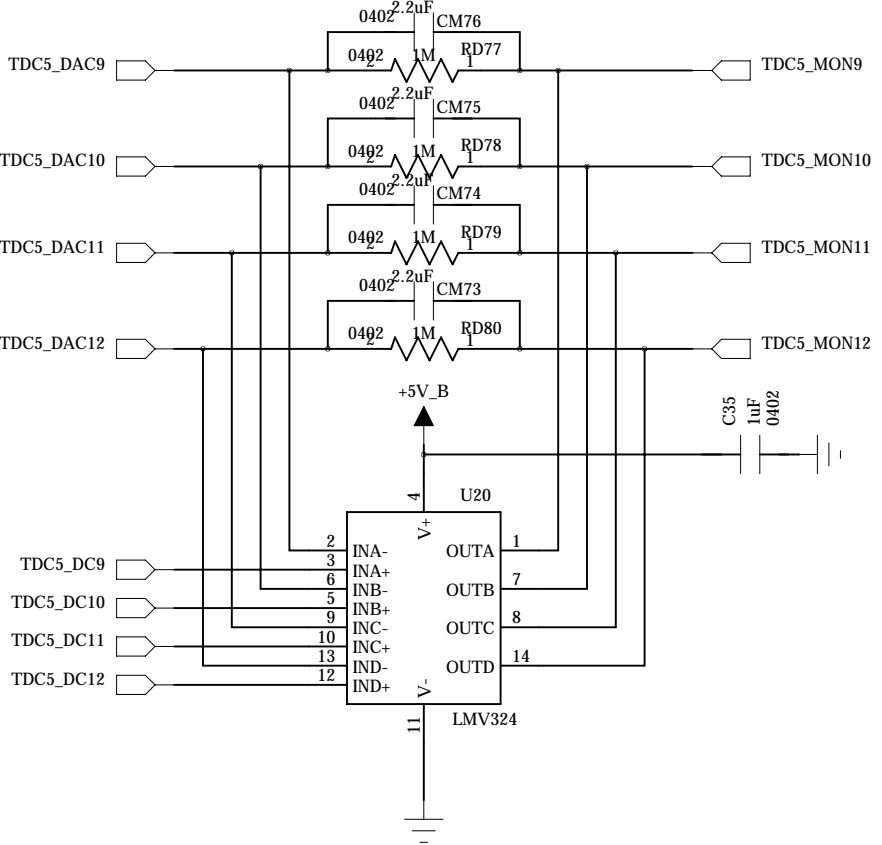
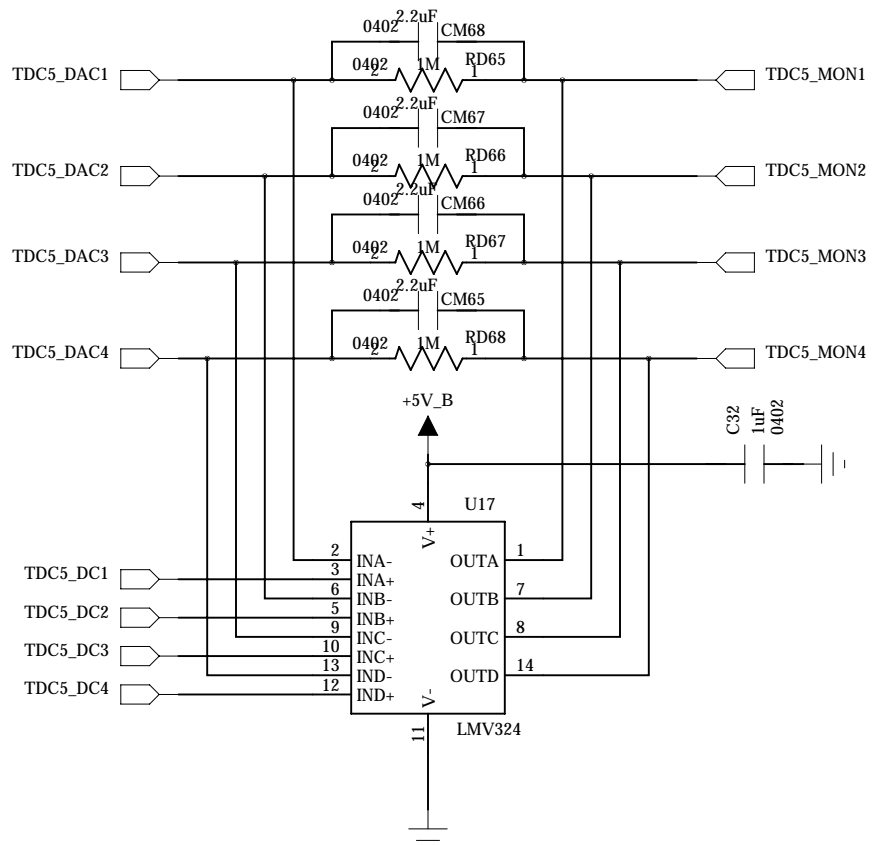
C

B

B

A

A



institution:	University of Hawaii at Manoa High Energy Physics Lab Instrumentation Development Lab
title:	KLM RHIC
revision:	B
IDLAB design #:	IDL 14 013
circuit design:	XS MZA GSV
PCB design:	XS MZA GSV
sheet #:	
sheet description:	
date last modified:	April-20-2014

6

5

4

3

2

1

E

E

D

D

C

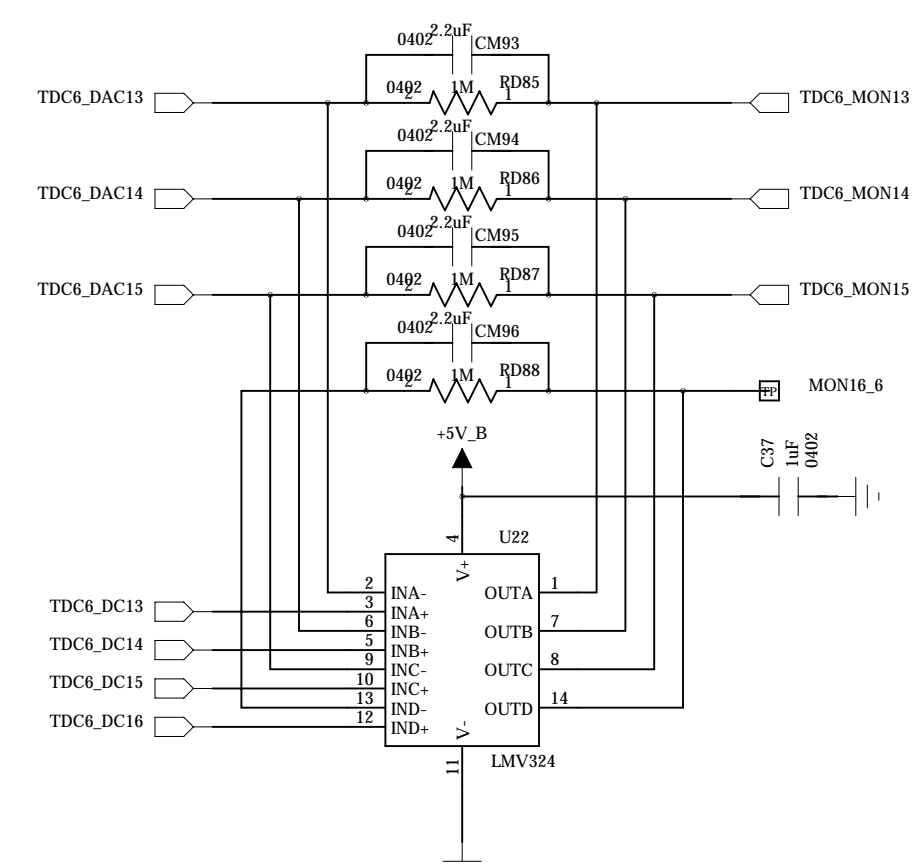
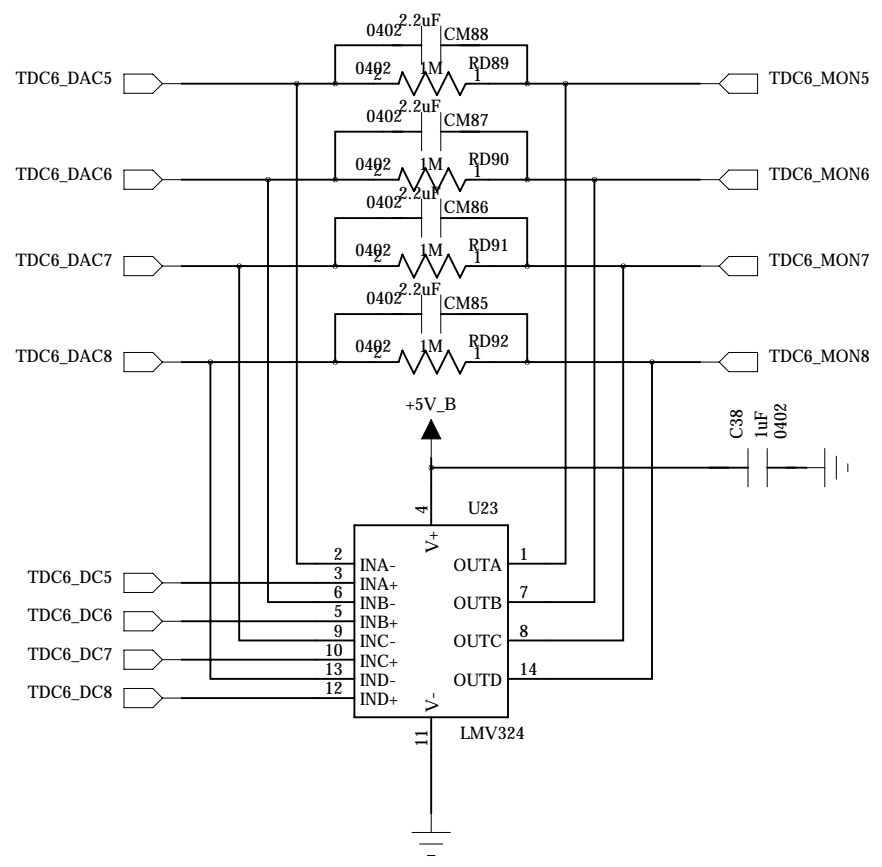
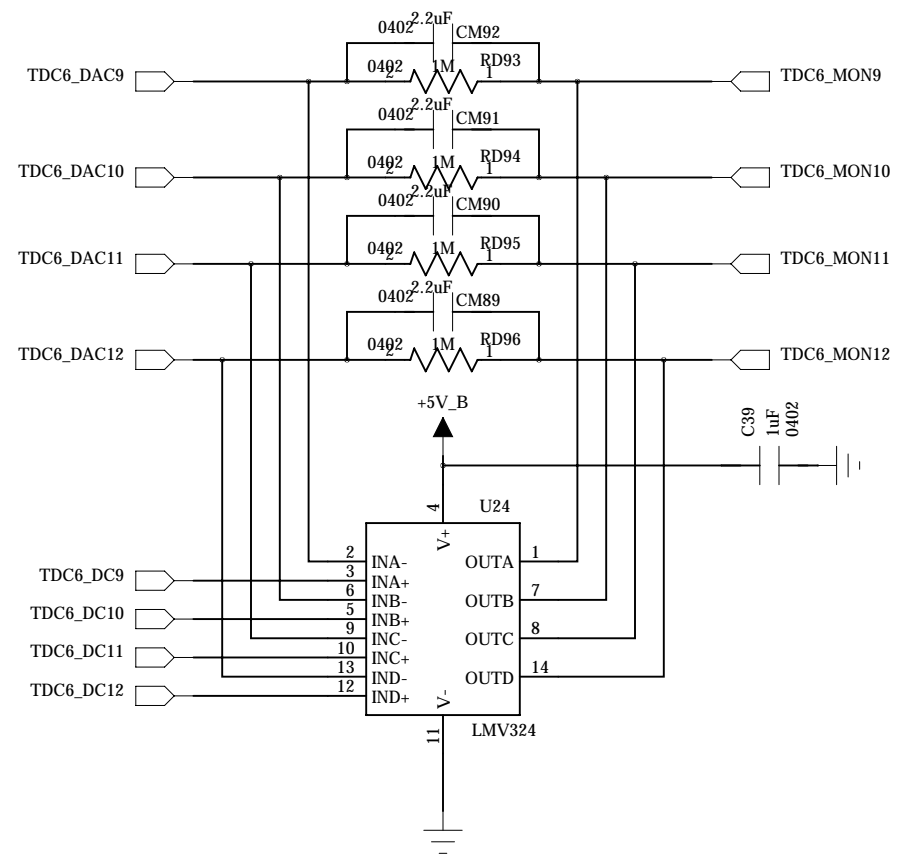
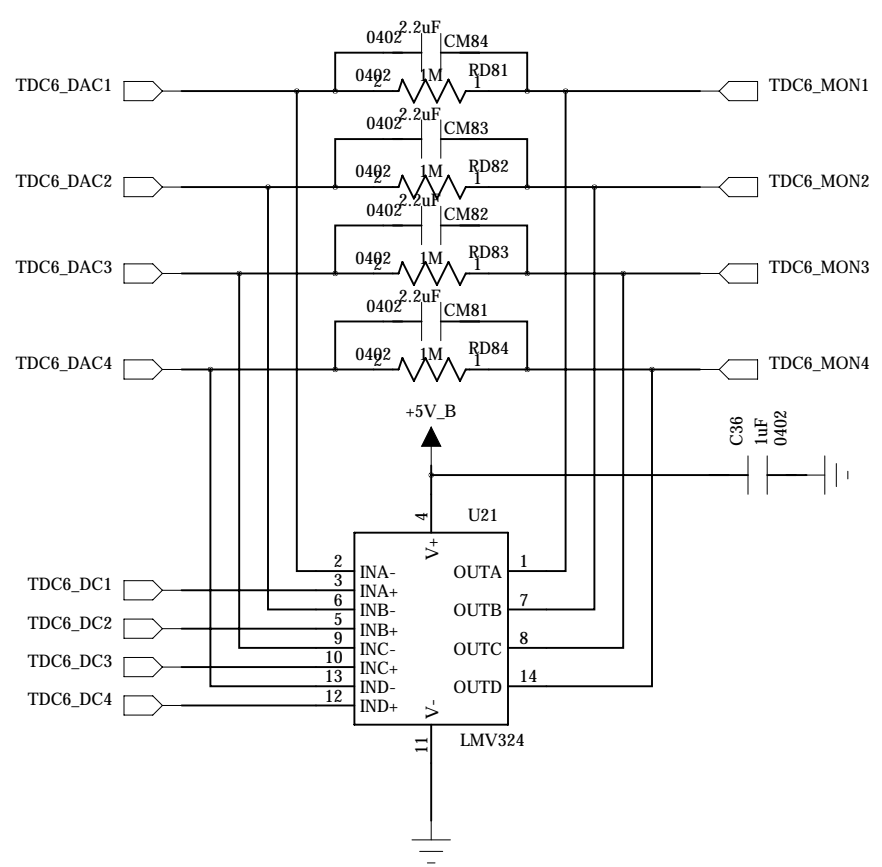
C

B

B

A

A



institution:	University of Hawaii at Manoa High Energy Physics Lab Instrumentation Development Lab
title:	KLM RHIC
revision:	B
IDLAB design #:	IDL_14_013
circuit design:	XS MZA GSV
PCB design:	XS MZA GSV
sheet #:	
sheet description:	
date last modified:	April-20-2014

6

5

4

3

2

1

E

E

D

D

C

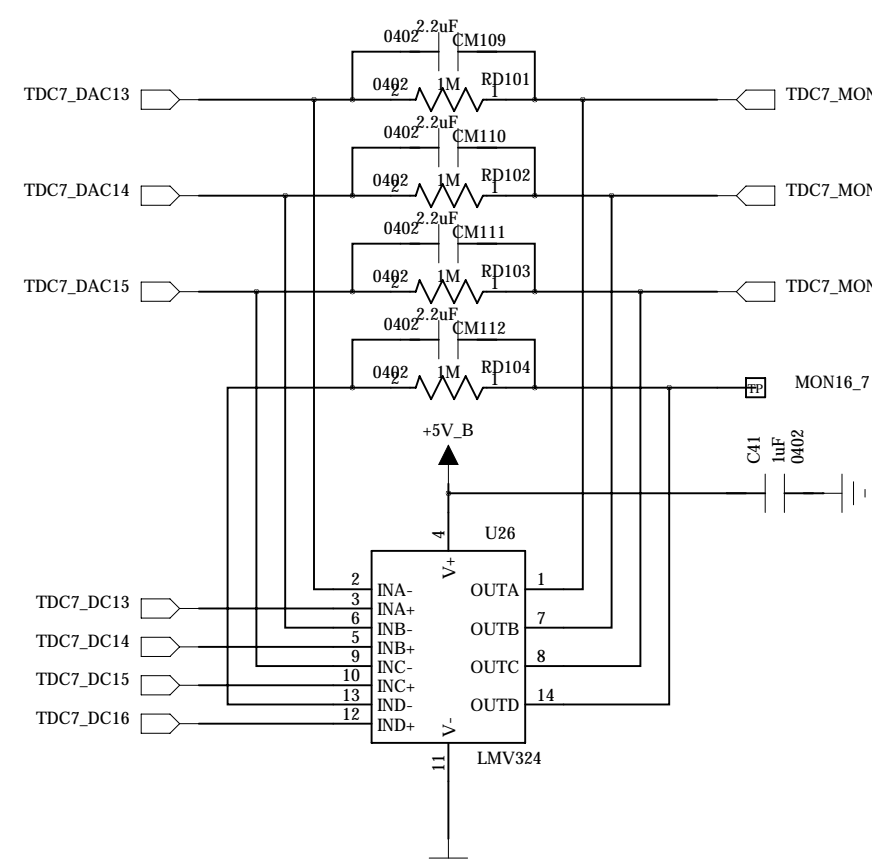
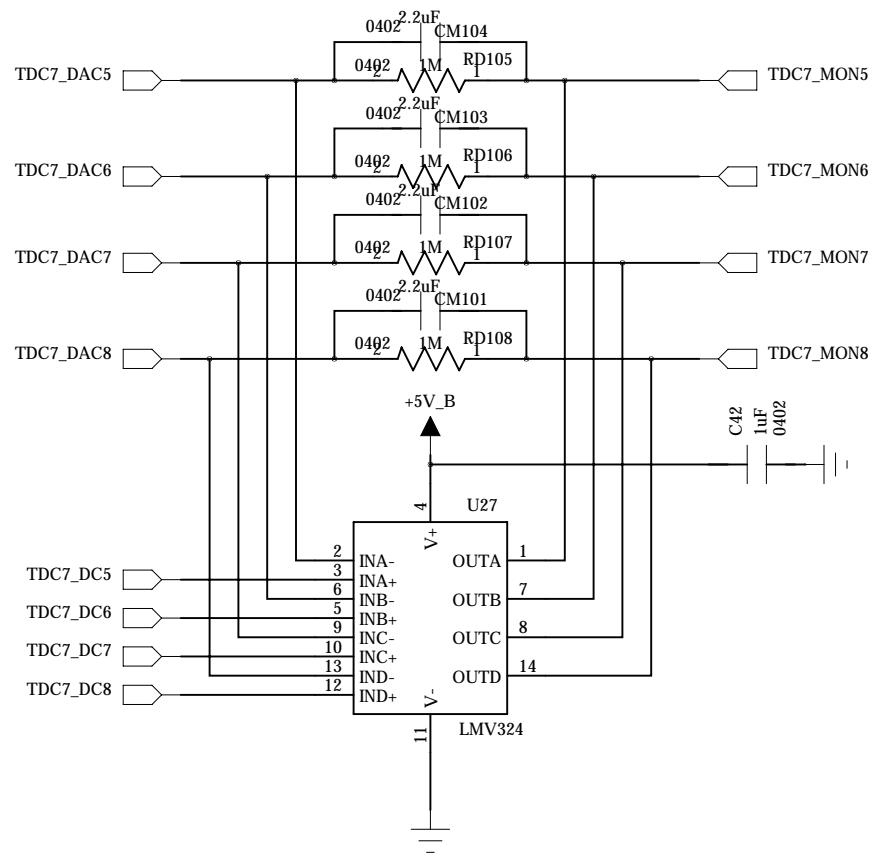
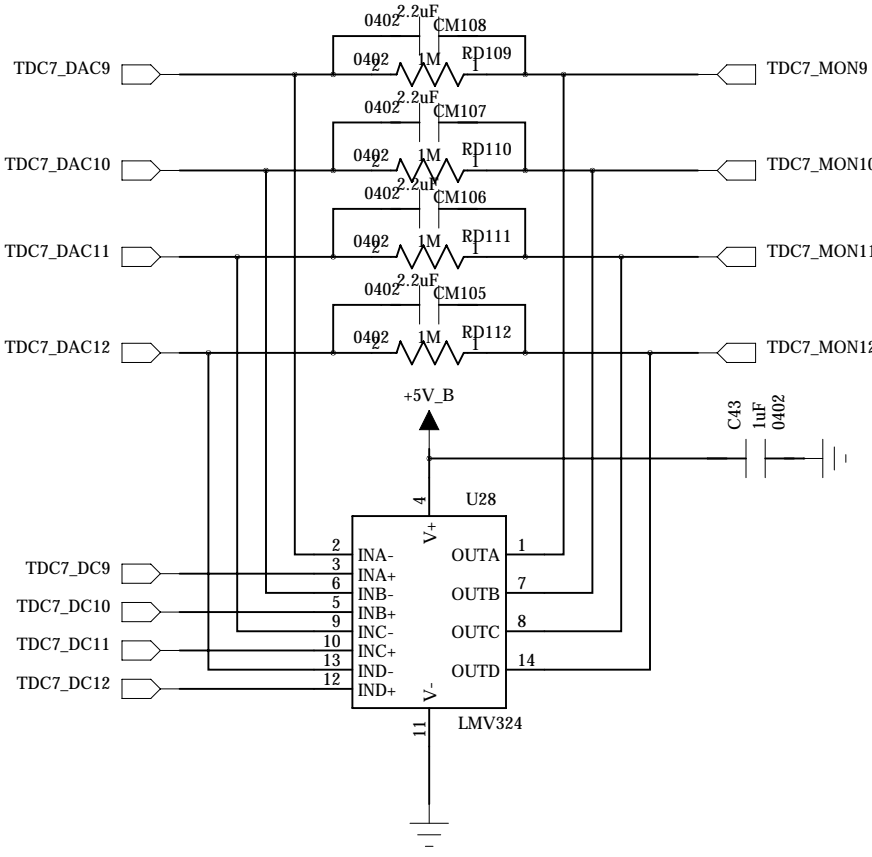
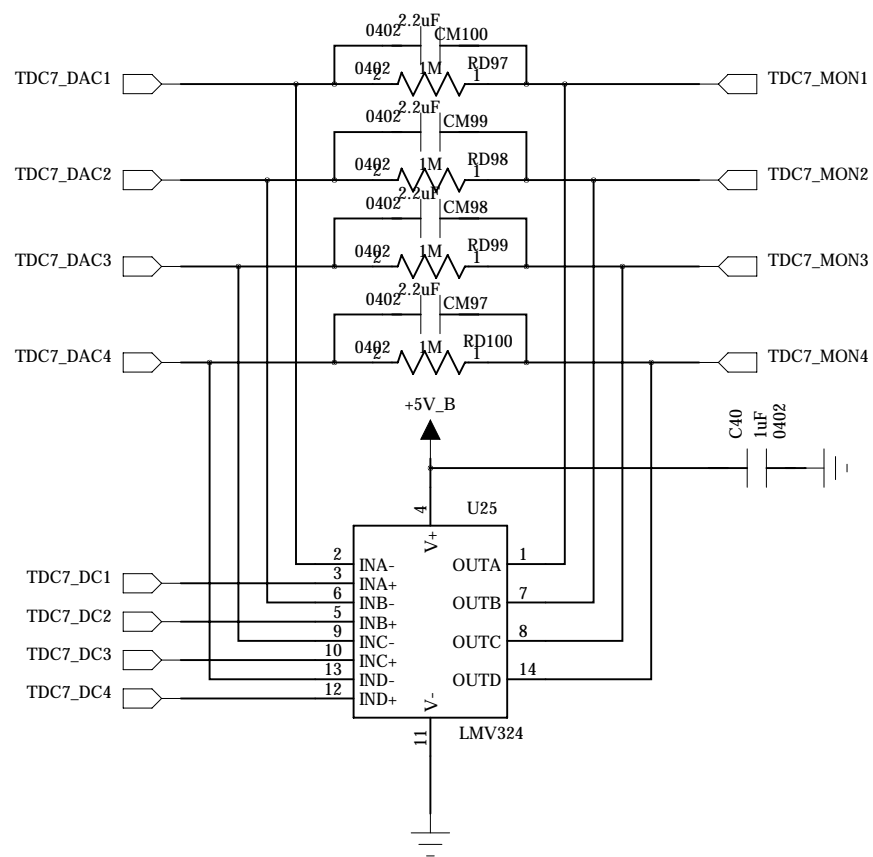
C

B

B

A

A



institution:	University of Hawaii at Manoa High Energy Physics Lab Instrumentation Development Lab
title:	KLM RHIC
revision:	B
IDLAB design #:	IDL_14_013
circuit design:	XS MZA GSV
PCB design:	XS MZA GSV
sheet #:	
sheet description:	
date last modified:	April-20-2014

6

5

4

3

2

1

E

E

D

D

C

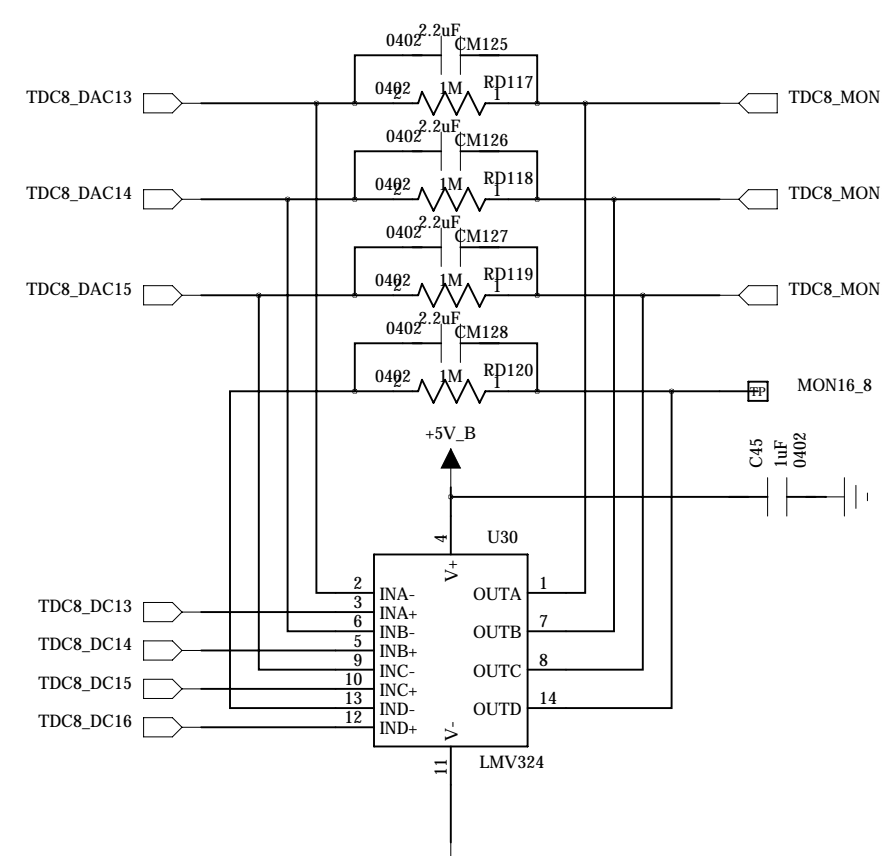
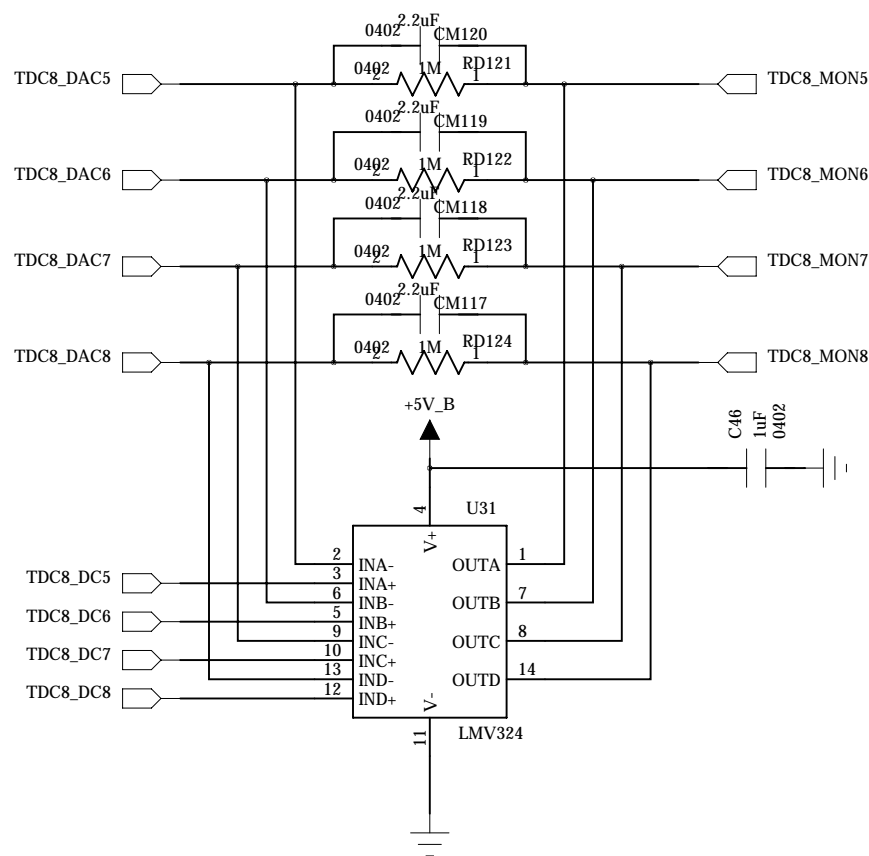
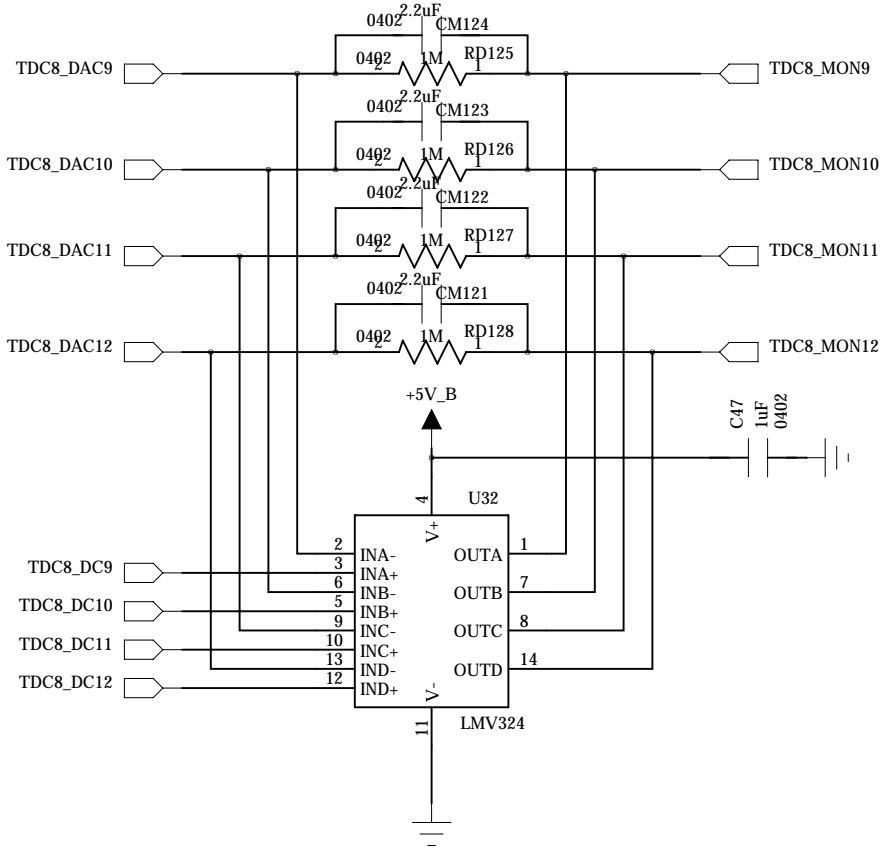
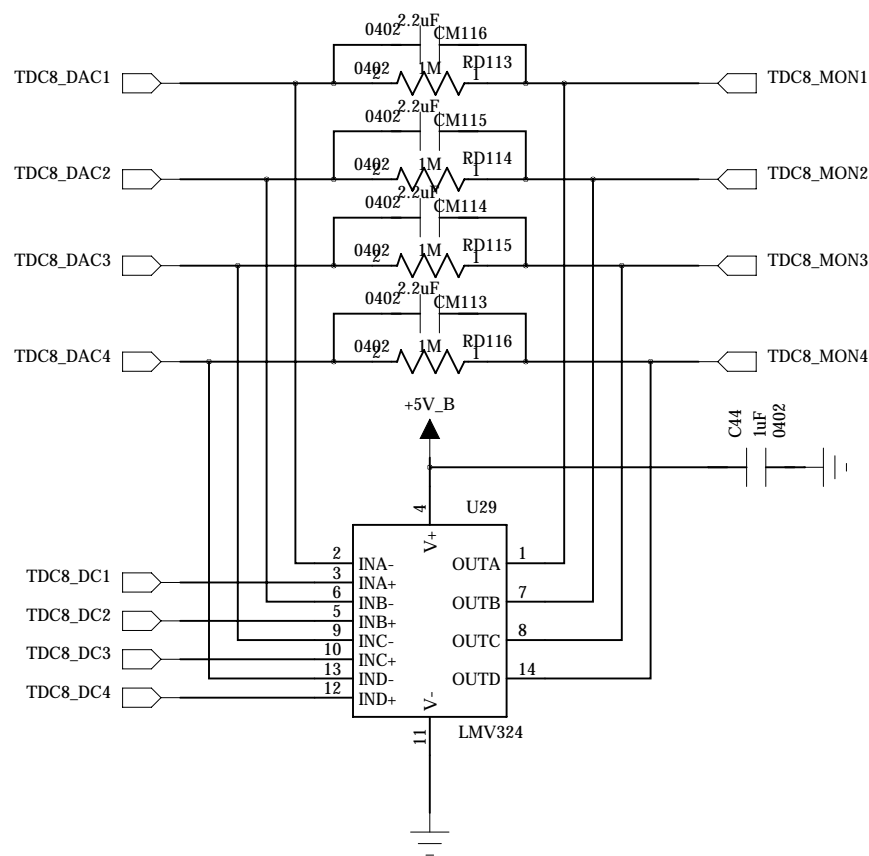
C

B

B

A

A



institution:	University of Hawaii at Manoa High Energy Physics Lab Instrumentation Development Lab
title:	KLM RHIC
revision:	B
IDLAB design #:	IDL_14_013
circuit design:	XS MZA GSV
PCB design:	XS MZA GSV
sheet #:	
sheet description:	
date last modified:	April-20-2014

6

5

4

3

2

1

E

E

D

D

C

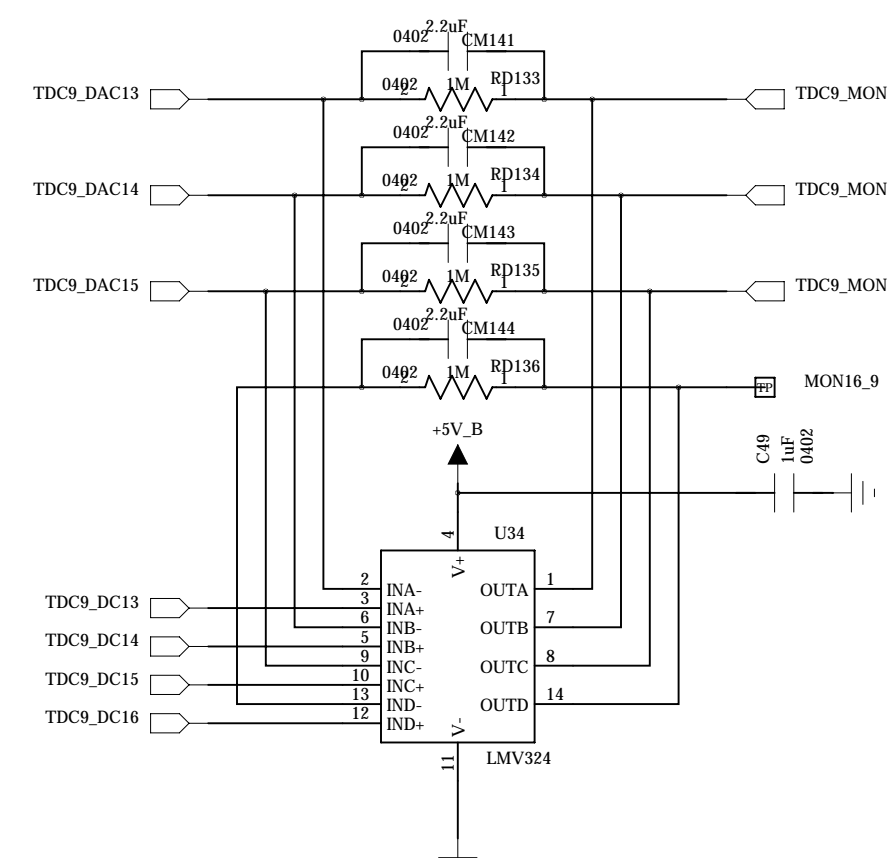
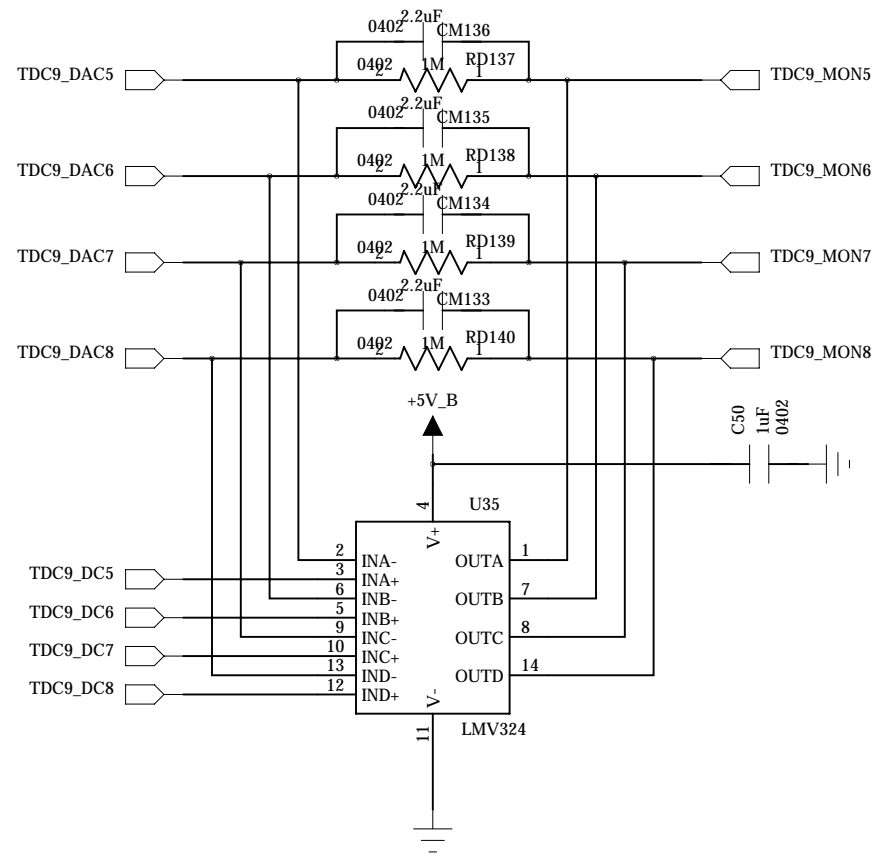
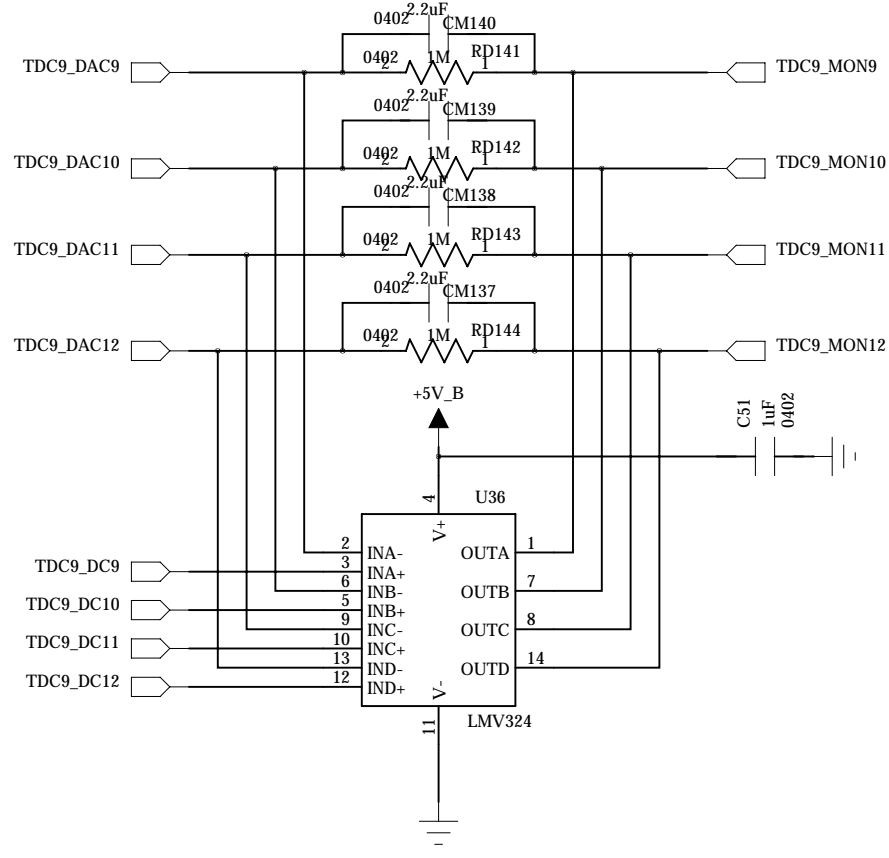
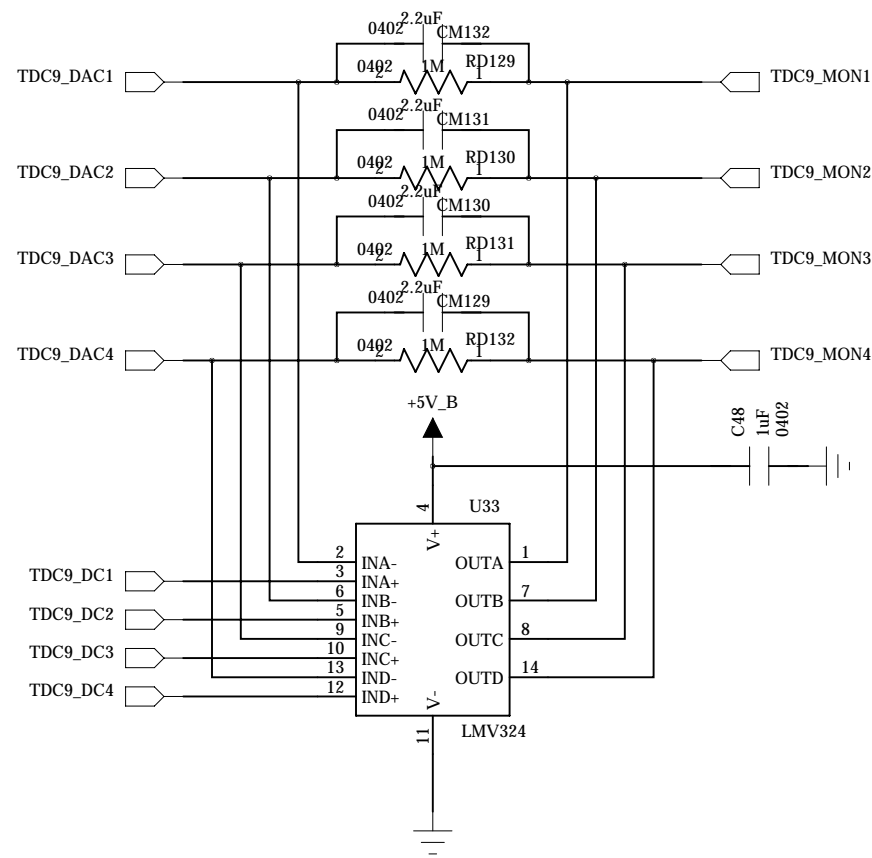
C

B

B

A

A



institution: University of Hawaii at Manoa
High Energy Physics Lab
Instrumentation Development Lab

title: KLM RHIC
revision: B
IDLAB design #: IDL 14 013
circuit design: XS MZA GSV
PCB design: XS MZA GSV

sheet #:
sheet description:
date last modified: April-20-2014

6

5

4

3

2

1

E

E

D

D

C

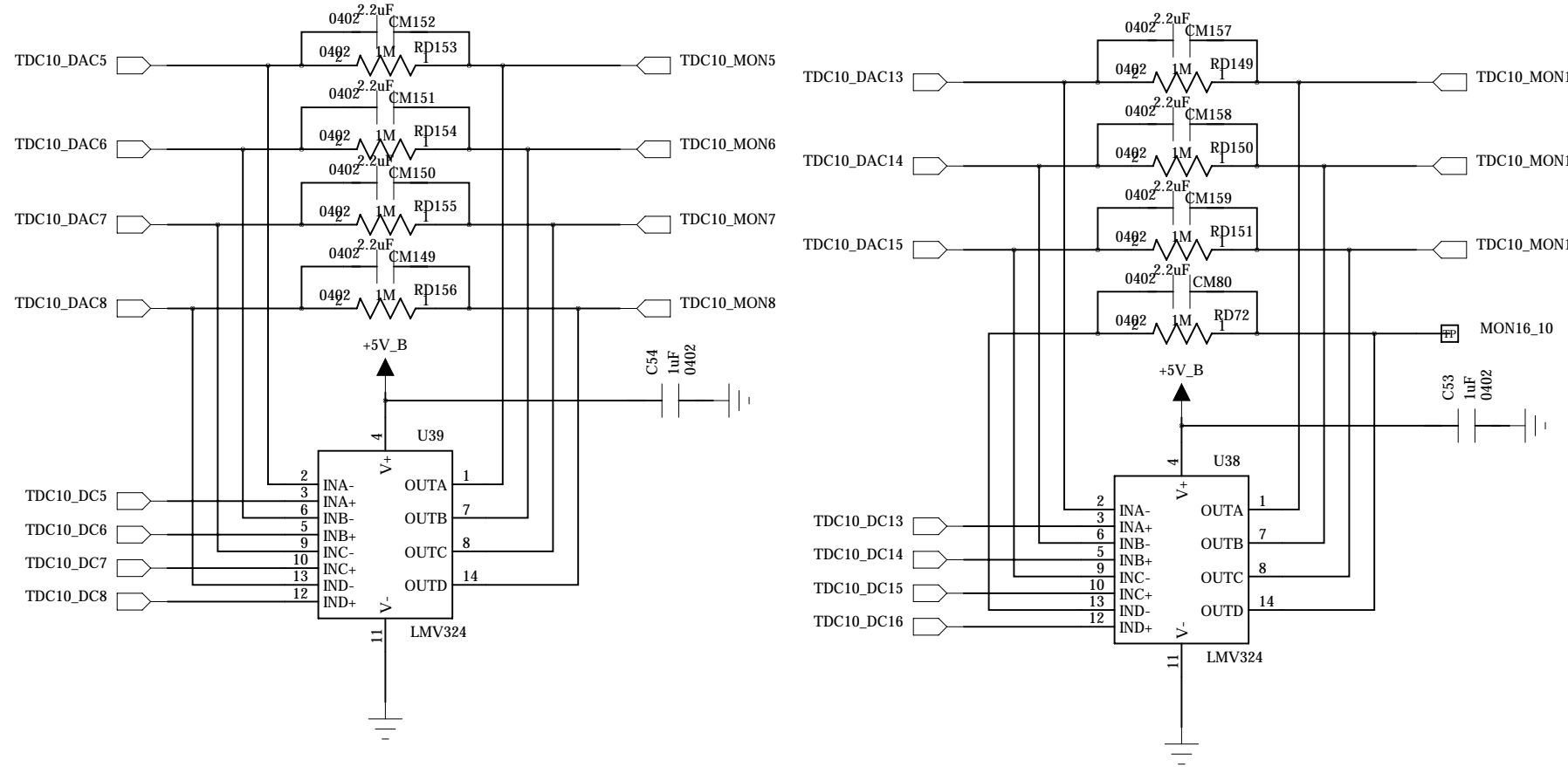
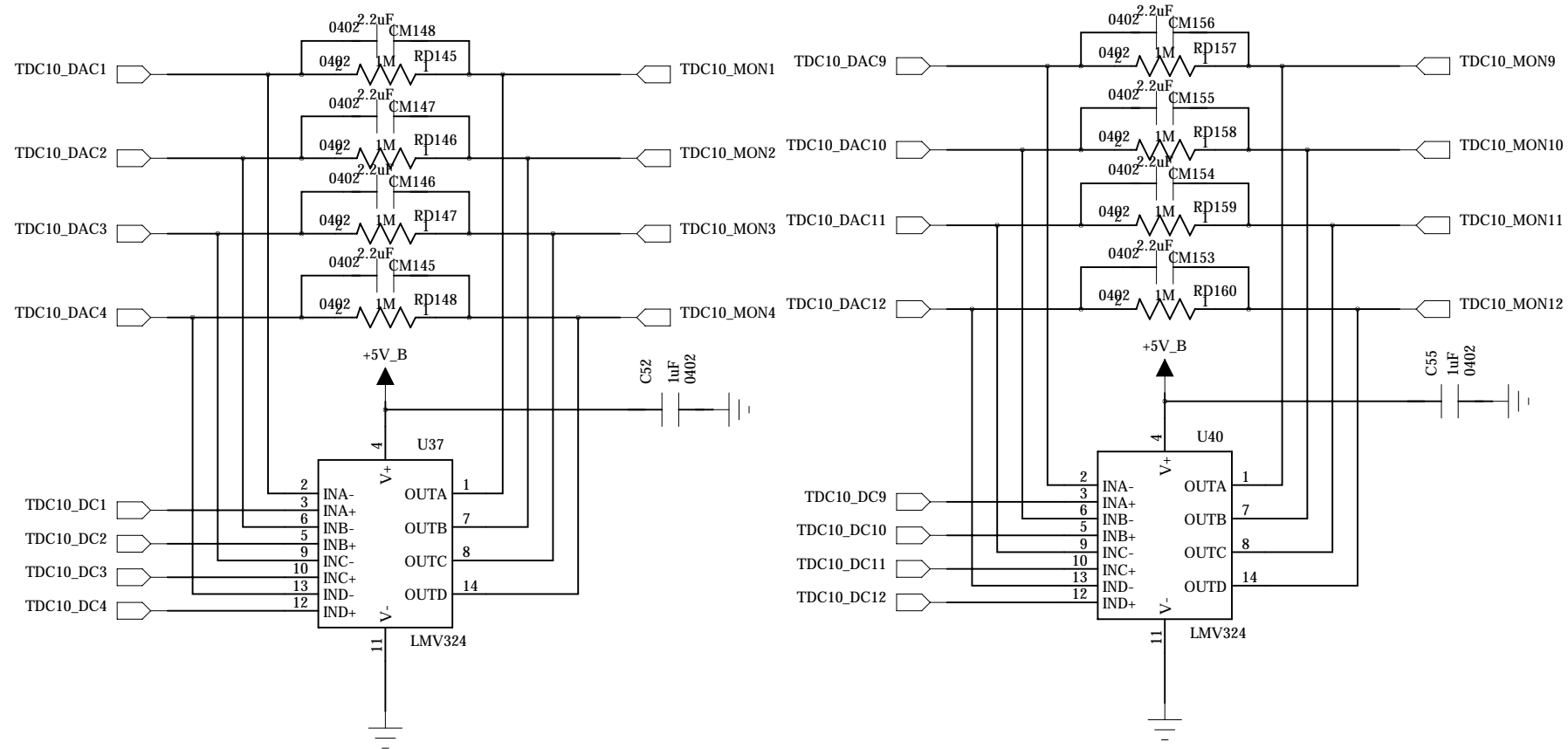
C

B

B

A

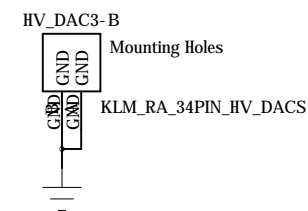
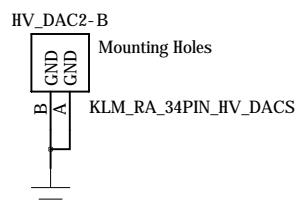
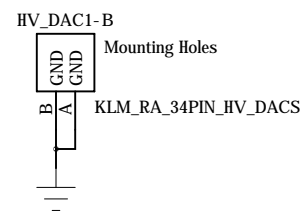
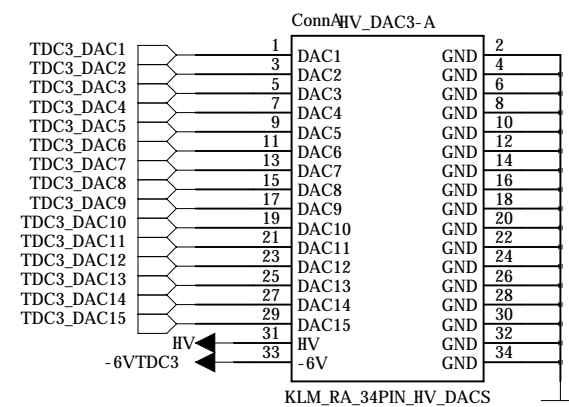
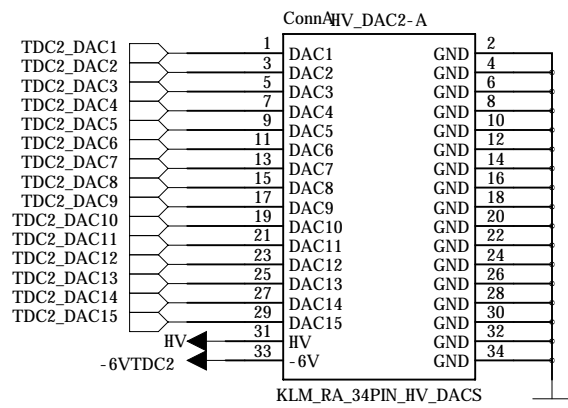
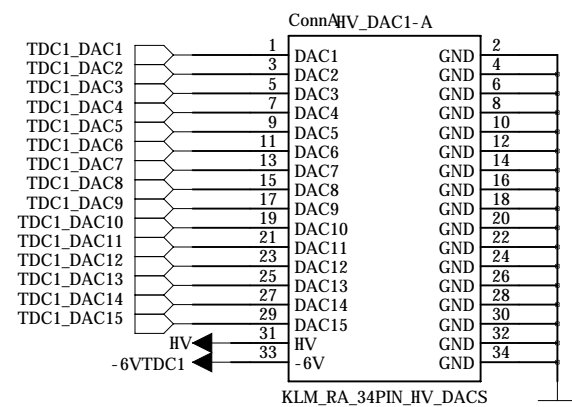
A



institution:	University of Hawaii at Manoa High Energy Physics Lab Instrumentation Development Lab
title:	KLM RHIC
revision:	B
IDLAB design #:	IDL_14_013
circuit design:	XS MZA GSV
PCB design:	XS MZA GSV
sheet #:	
sheet description:	
date last modified:	April-20-2014

E

E

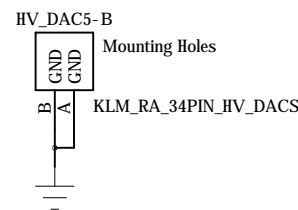
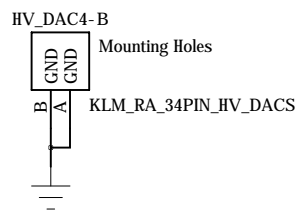
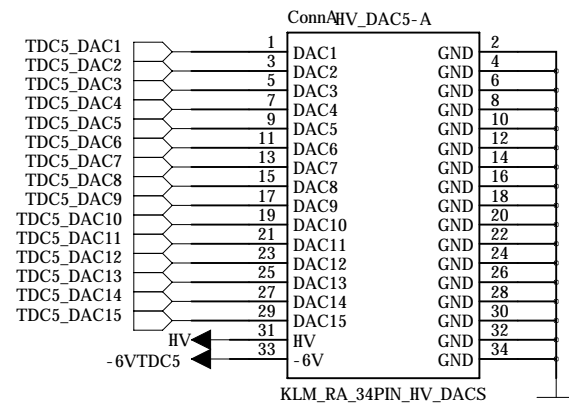
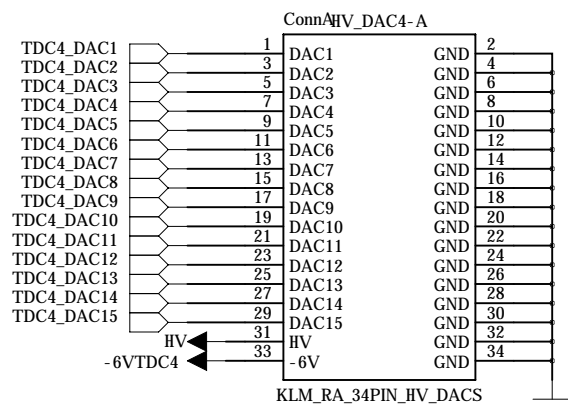


D

D

C

C



B

B

A

A

institution:	University of Hawaii at Manoa High Energy Physics Lab Instrumentation Development Lab
title:	KLM RHIC
revision:	B
IDLAB design #:	IDL 14_013
circuit design:	XS MZA GSV
PCB design:	XS MZA GSV
sheet #:	
sheet description:	
date last modified:	April-20-2014

6

5

4

3

2

1

E

E

D

D

C

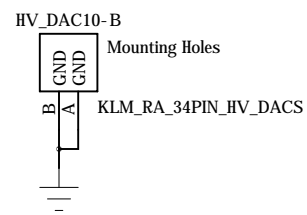
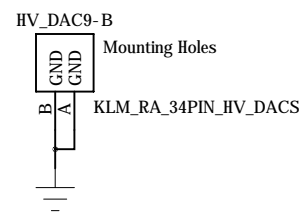
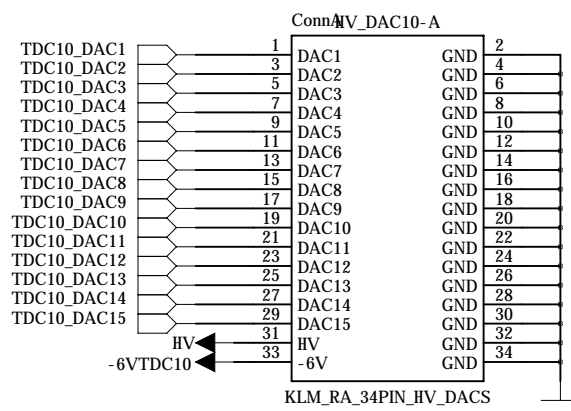
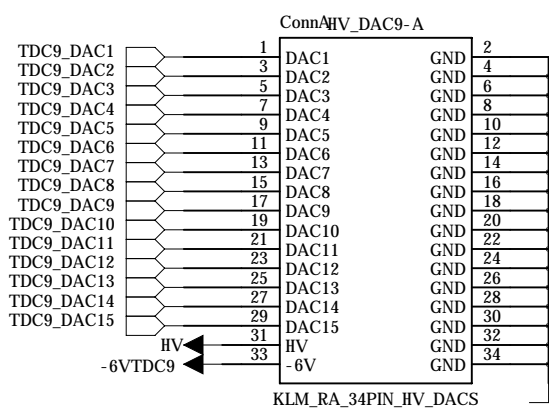
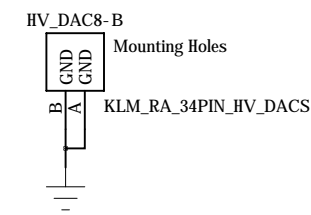
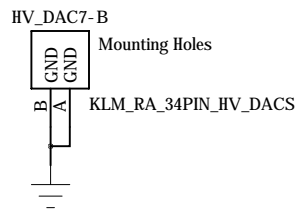
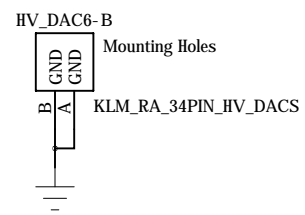
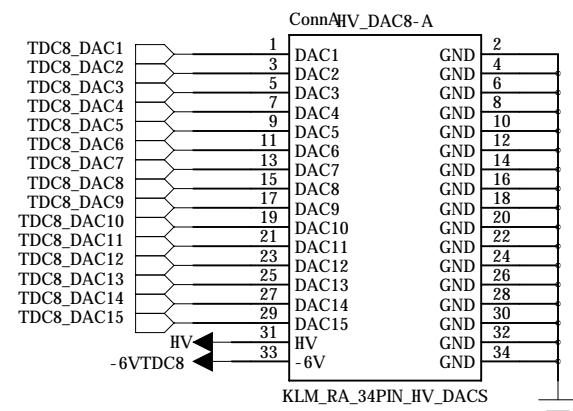
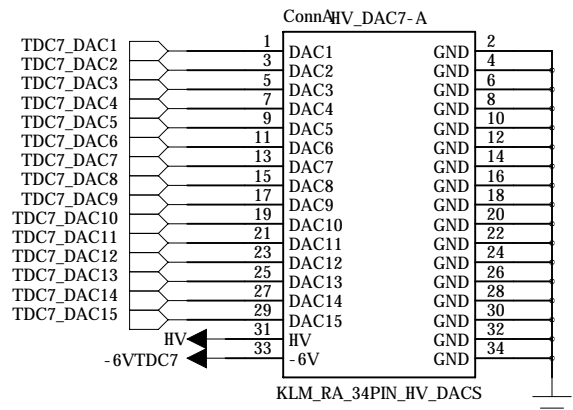
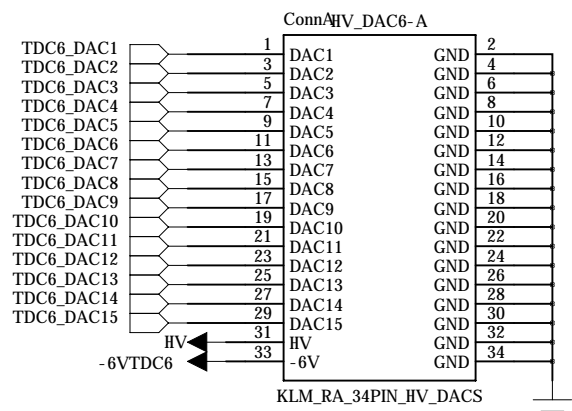
C

B

B

A

A



institution:	University of Hawaii at Manoa High Energy Physics Lab Instrumentation Development Lab
title:	KLM RHIC
revision:	B
IDLAB design #:	IDL_14_013
circuit design:	XS MZA GSV
PCB design:	XS MZA GSV
sheet #:	
sheet description:	
date last modified:	April-20-2014

6

5

4

3

2

1

E

E

D

D

C

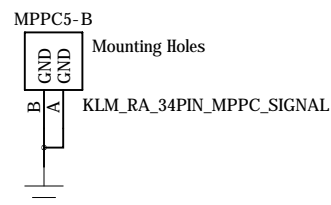
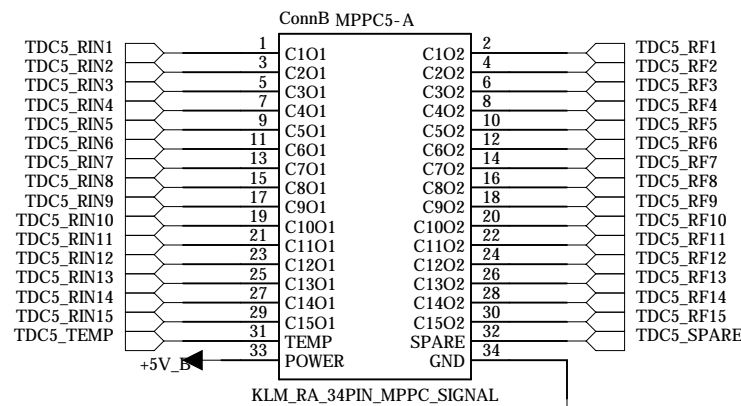
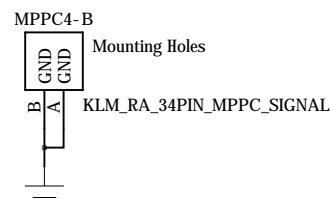
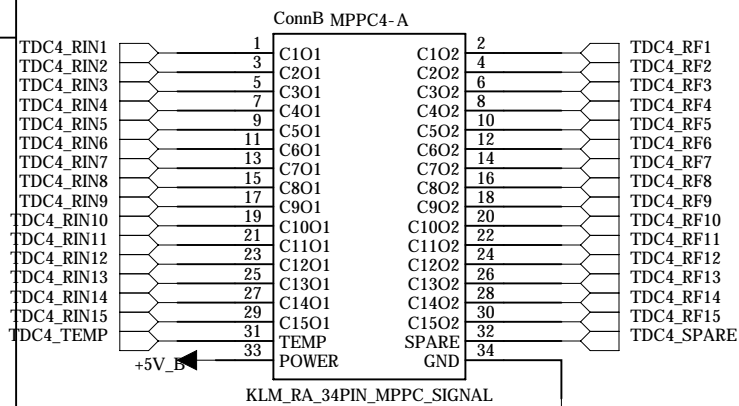
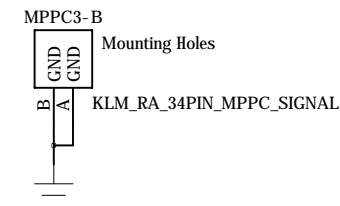
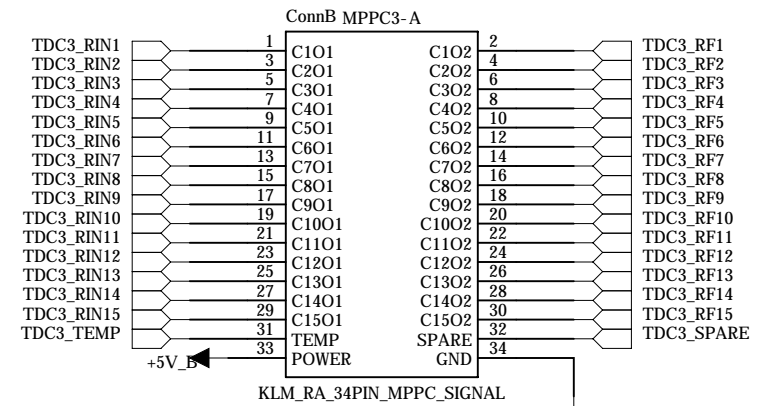
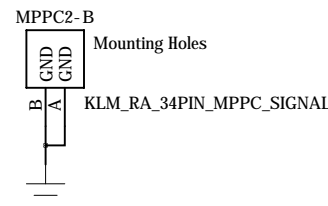
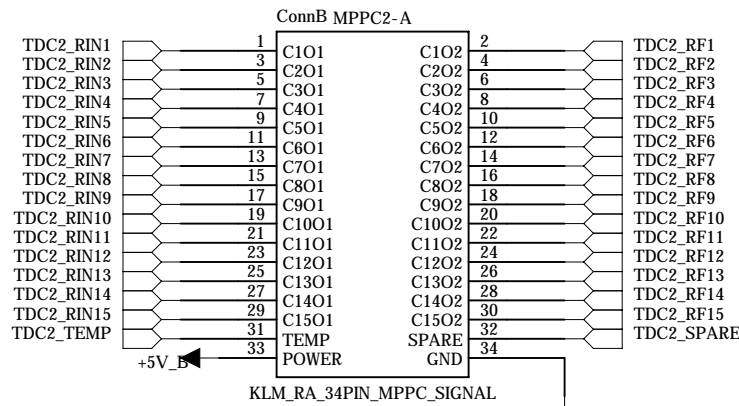
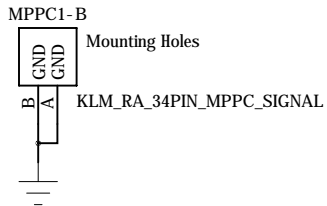
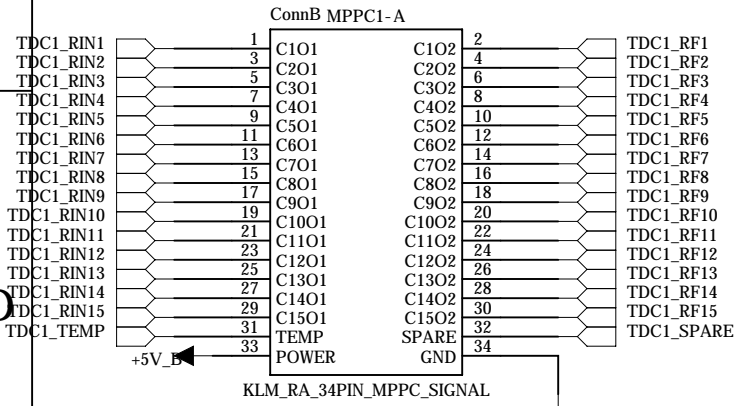
C

B

B

A

A



institution:	University of Hawaii at Manoa High Energy Physics Lab Instrumentation Development Lab
title:	KLM RHIC
revision:	B
IDLAB design #:	IDL_14_013
circuit design:	XS MZA GSV
PCB design:	XS MZA GSV
sheet #:	
sheet description:	
date last modified:	April-20-2014

6

5

4

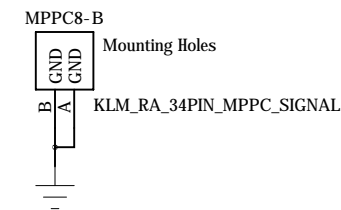
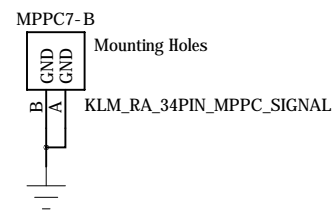
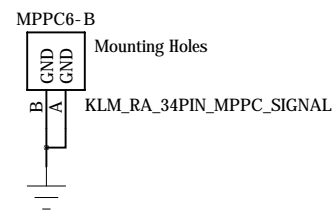
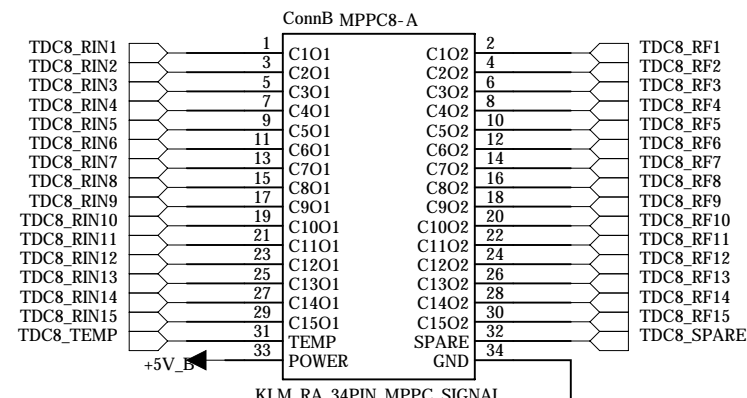
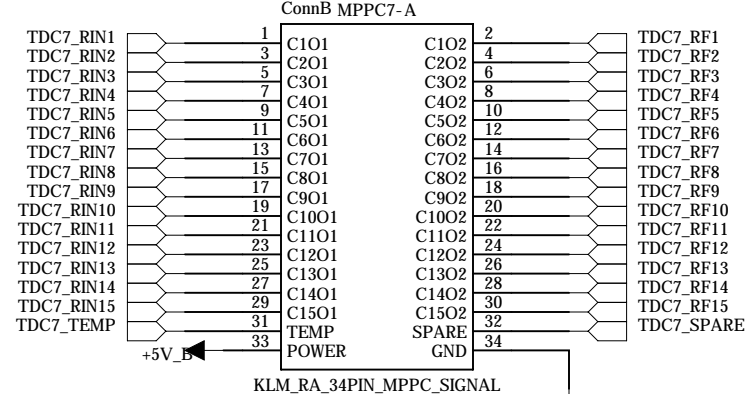
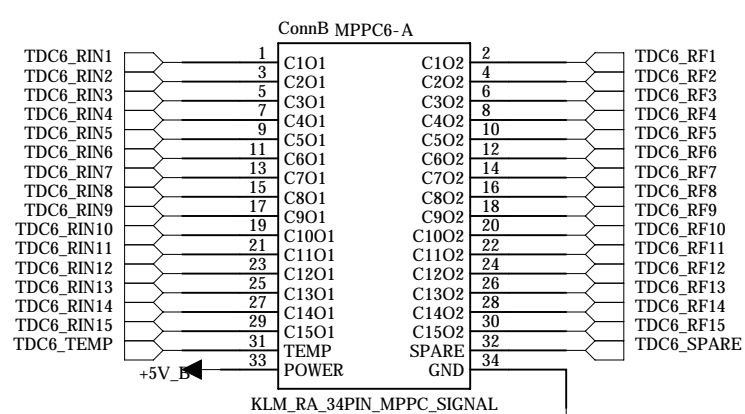
3

2

1

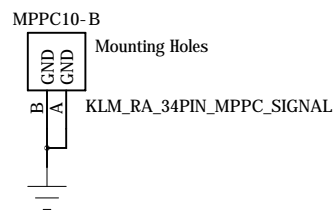
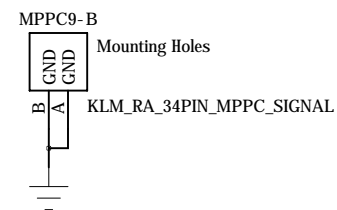
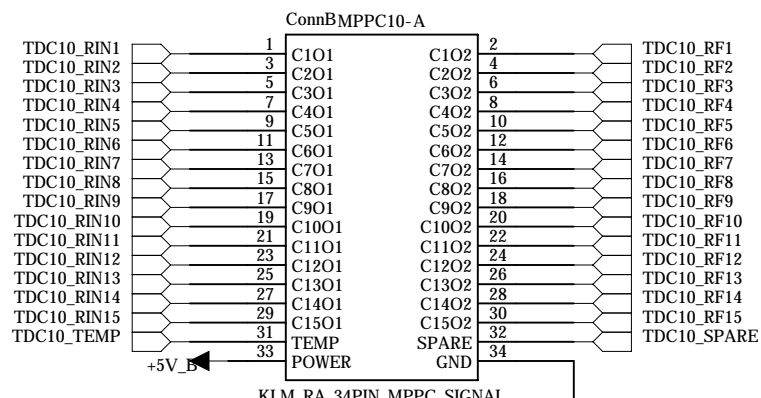
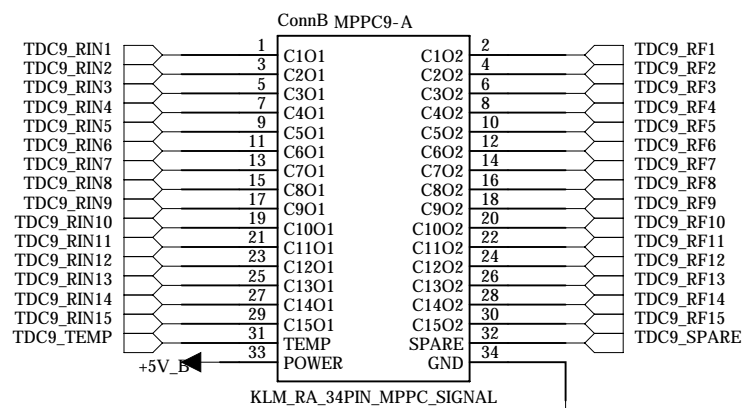
E

E



C

C



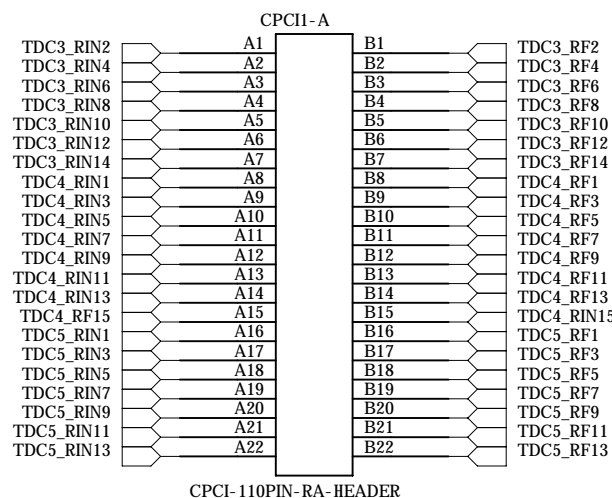
A

A

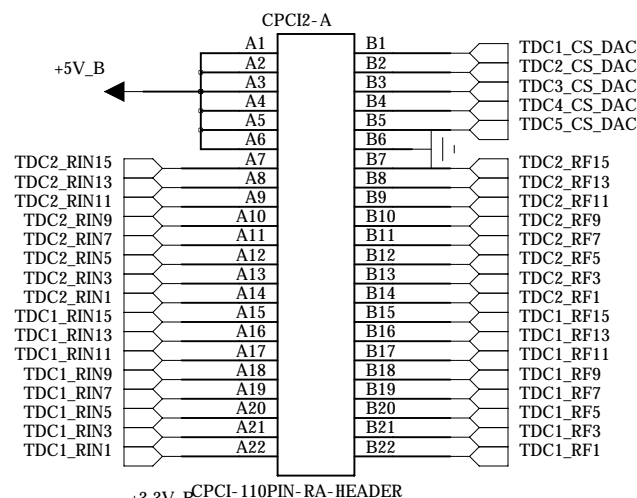
institution:	University of Hawaii at Manoa High Energy Physics Lab Instrumentation Development Lab
title:	KLM RHIC
revision:	B
IDLAB design #:	IDL_14_013
circuit design:	XS MZA GSV
PCB design:	XS MZA GSV
sheet #:	
sheet description:	
date last modified:	April-20-2014

E

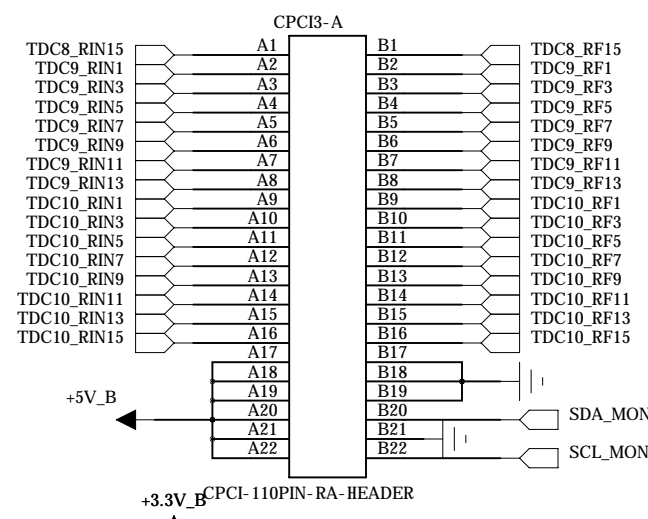
E



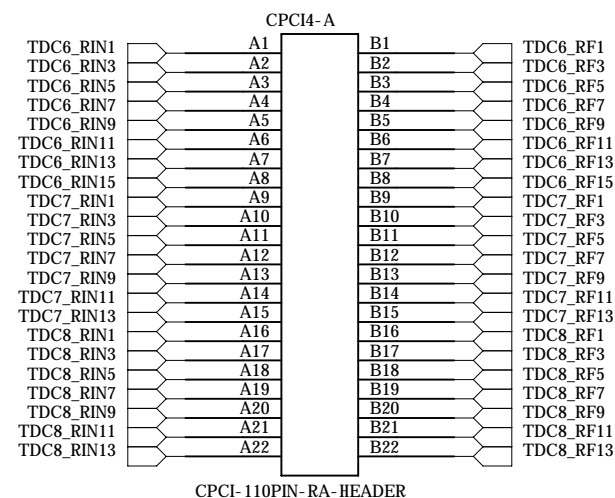
CPCI-110PIN-RA-HEADER



CPCI-110PIN-RA-HEADER



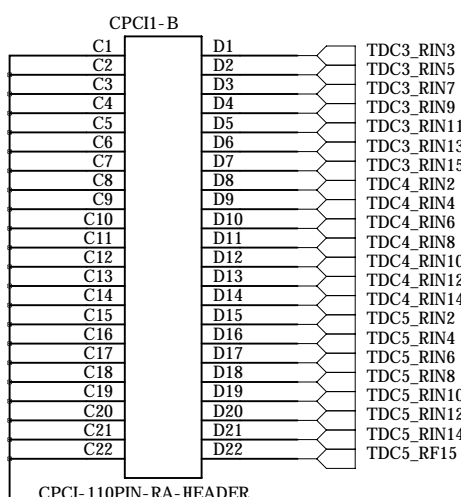
CPCI-110PIN-RA-HEADER



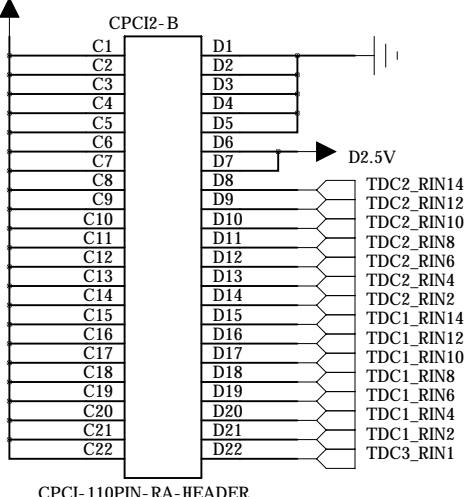
CPCI-110PIN-RA-HEADER

D

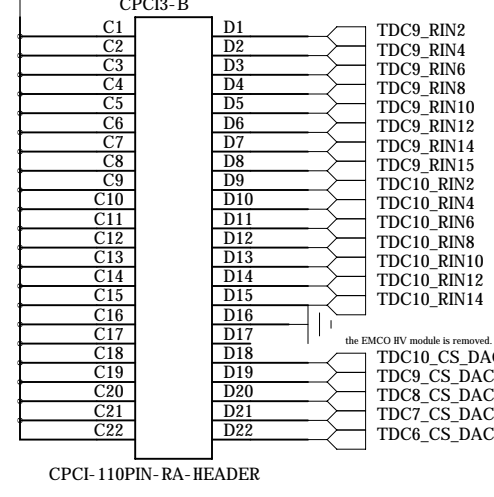
D



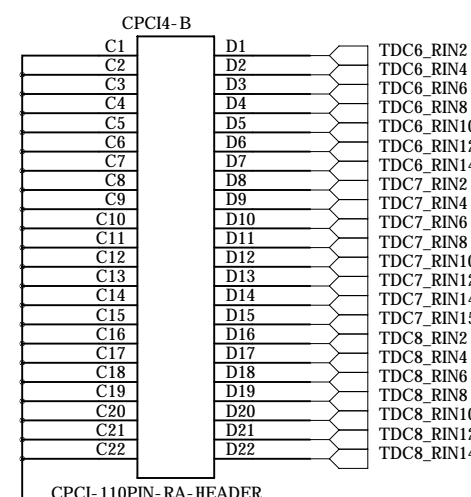
CPCI-110PIN-RA-HEADER



CPCI-110PIN-RA-HEADER



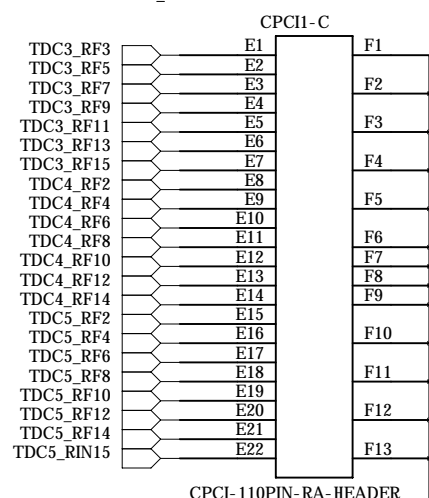
CPCI-110PIN-RA-HEADER



CPCI-110PIN-RA-HEADER

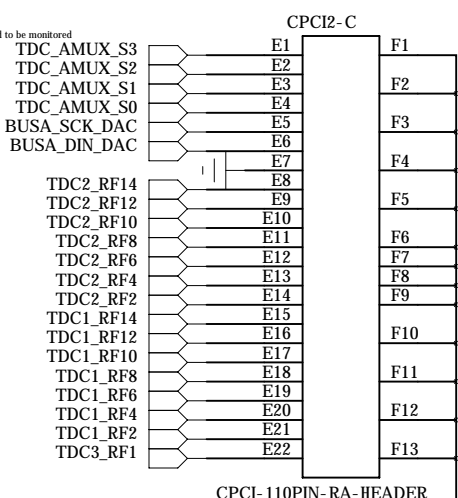
C

C



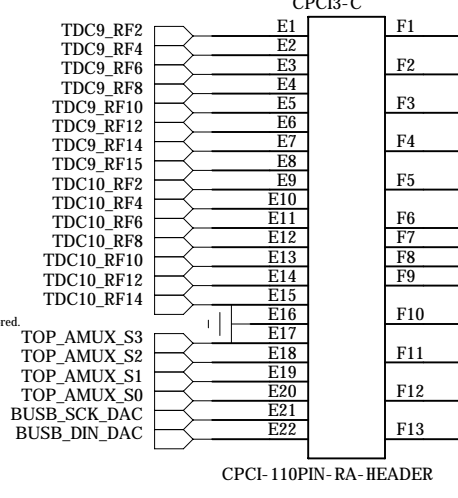
CPCI-110PIN-RA-HEADER

to choose the channel on each daughtercard to be monitored

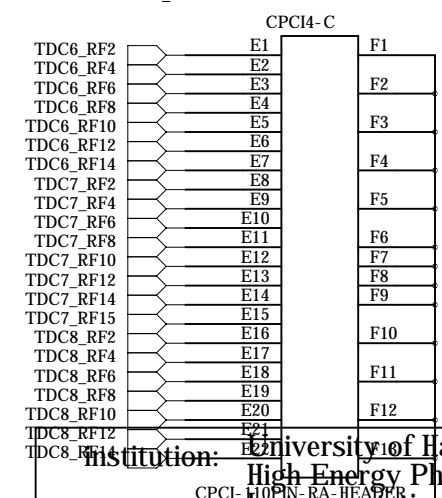


CPCI-110PIN-RA-HEADER

decide which daughtercard to be monitored.



CPCI-110PIN-RA-HEADER



CPCI-110PIN-RA-HEADER

A

A

Institution: University of Hawaii at Manoa
High Energy Physics Lab
Instrumentation Development Lab

title: KLM RHIC
revision: B
IDLAB design #: IDL 14 013
circuit design: XS MZA GSV
PCB design: XS MZA GSV

sheet #:
sheet description:
date last modified: April-20-2014

6

5

4

3

2

1

E

E

D

D

C

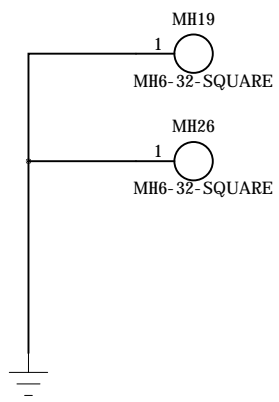
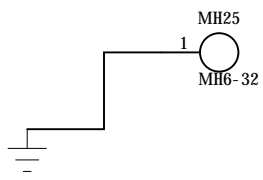
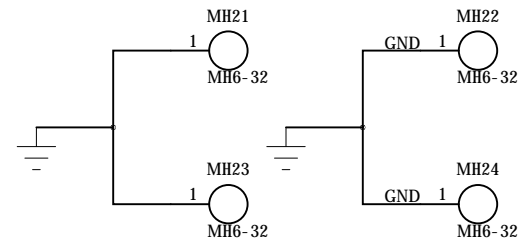
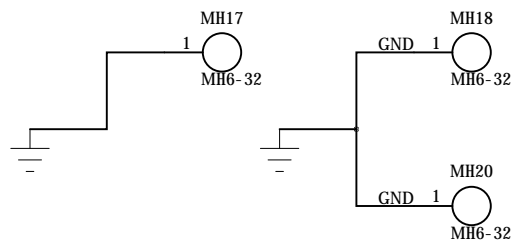
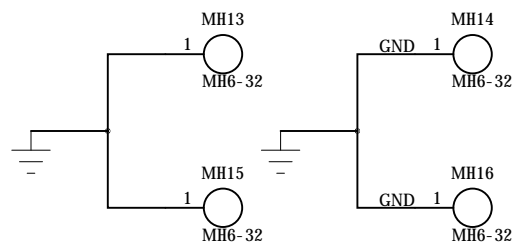
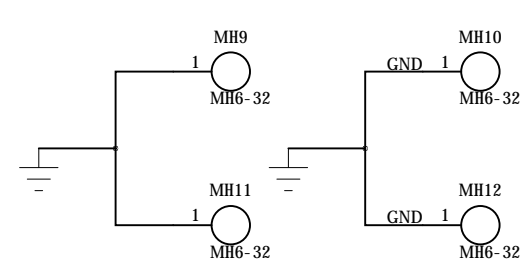
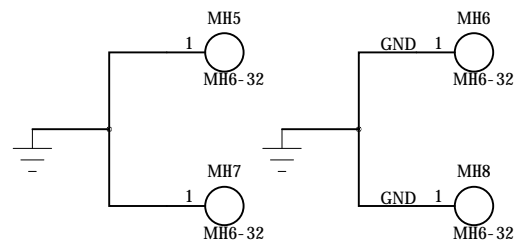
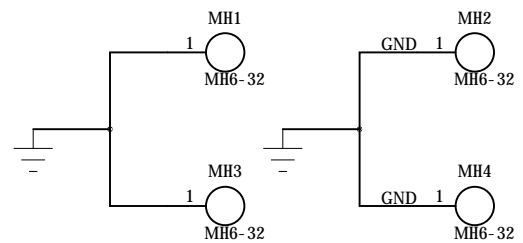
C

B

B

A

A



institution:	University of Hawaii at Manoa High Energy Physics Lab Instrumentation Development Lab
title:	KLM RHIC
revision:	B
IDLAB design #:	IDL_14_013
circuit design:	XS MZA GSV
PCB design:	XS MZA GSV
sheet #:	
sheet description:	
date last modified:	April-20-2014