

6

5

4

3

2

1

E

E

D

D

C

C

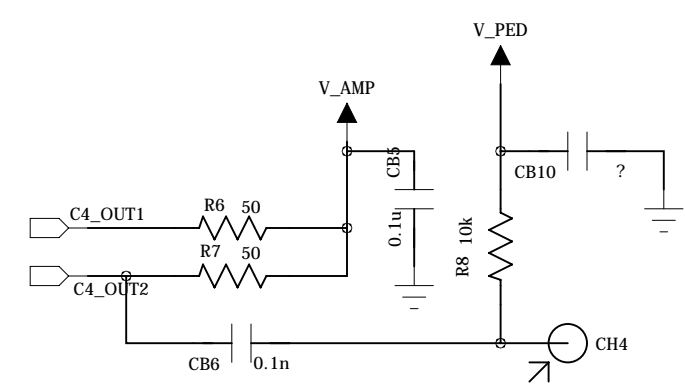
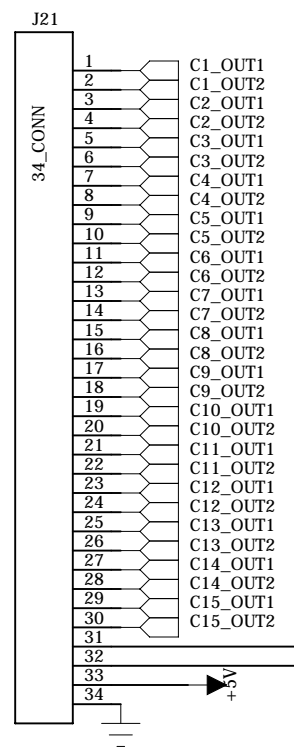
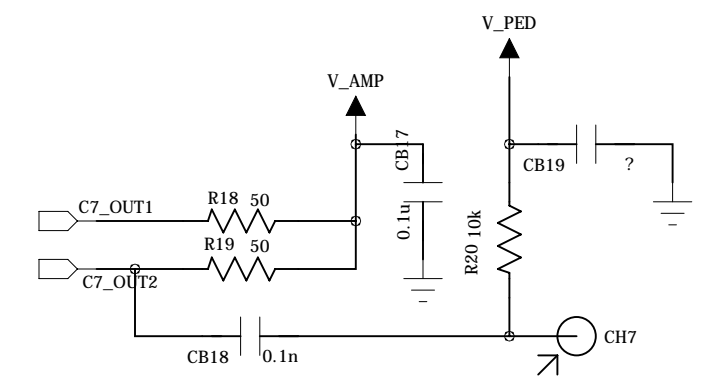
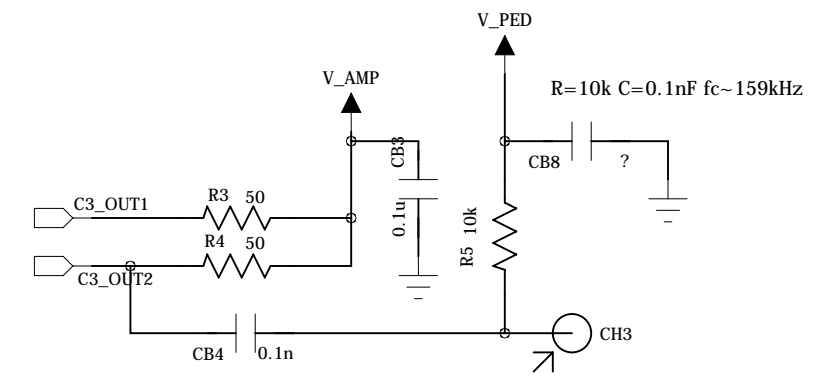
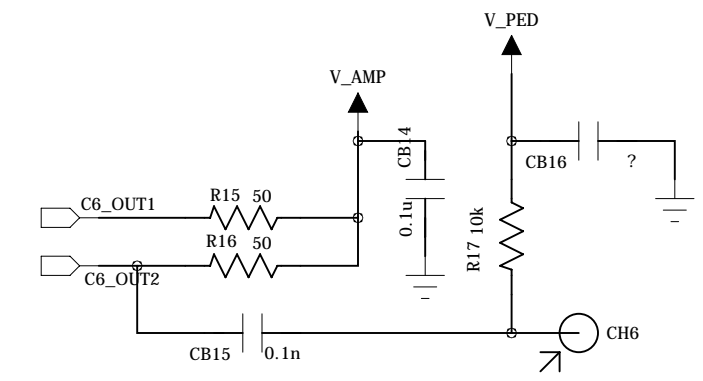
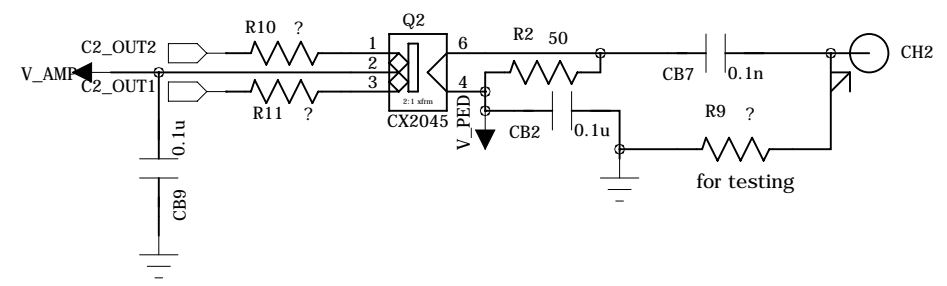
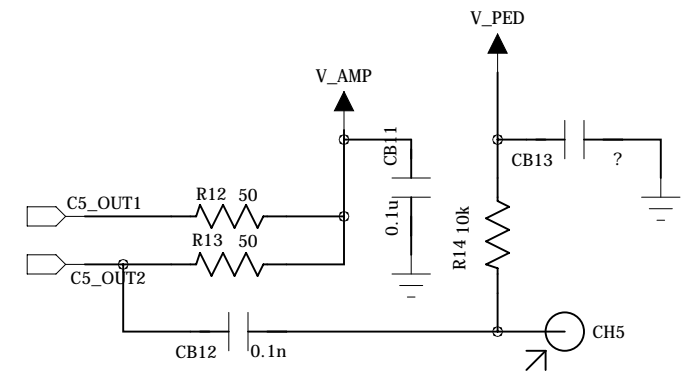
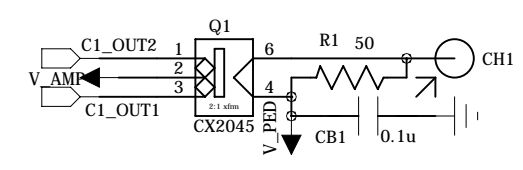
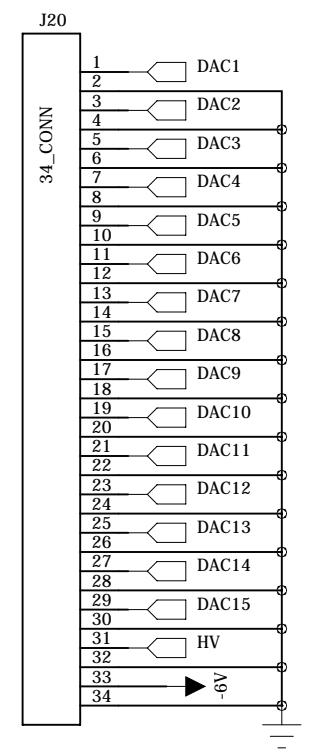
B

B

A

A

RF <--> OUT2 --> "-"
 RIN <--> OUT1 --> "+"



institution:	University of Hawaii at Manoa High Energy Physics Lab <idlab>
title:	KLM_Power_Test
revision:	A
IDLAB design #:	IDL_15_001
circuit design:	
PCB design:	
sheet #:	1 of 6
sheet description:	
date last modified:	20150110

6

5

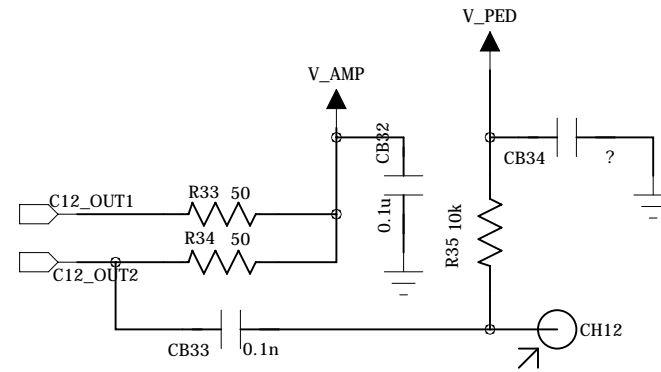
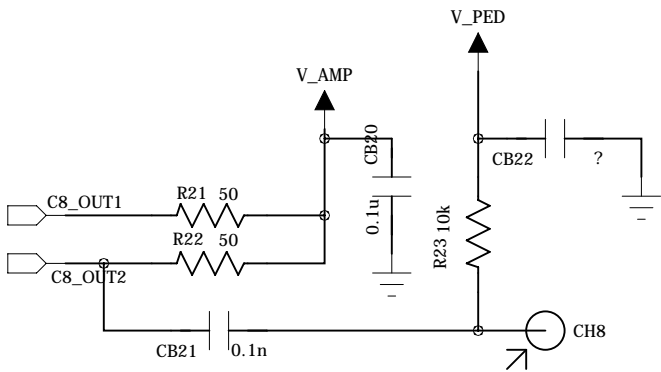
4

3

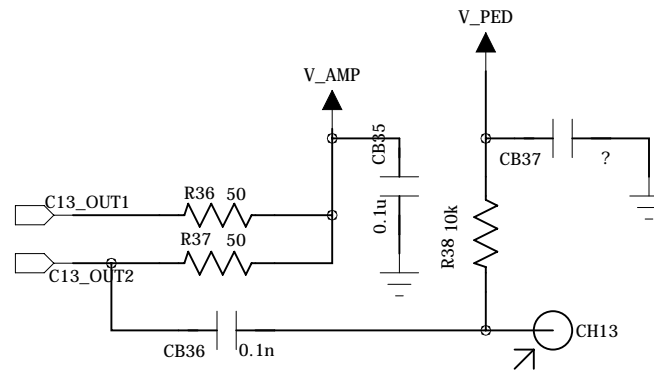
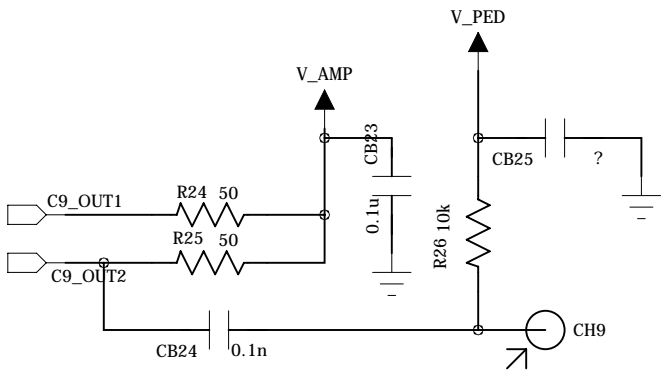
2

1

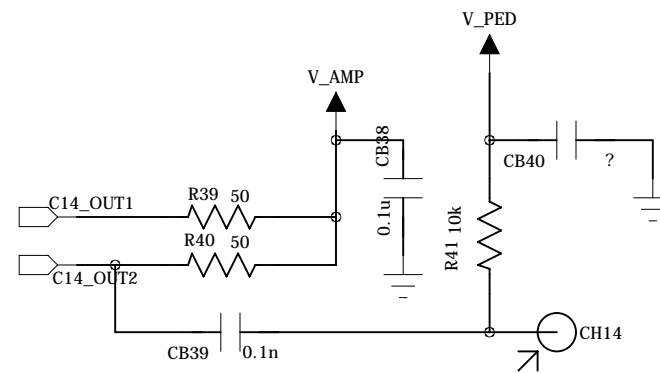
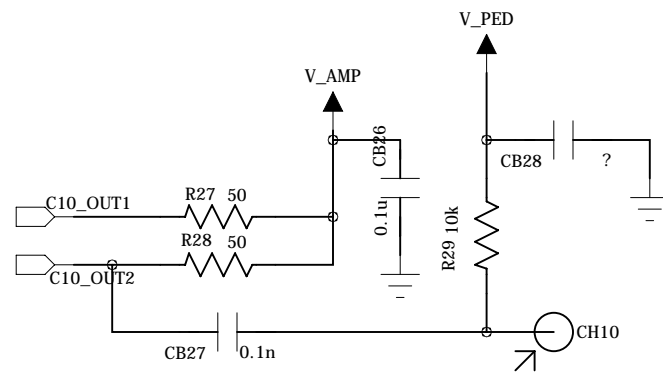
E



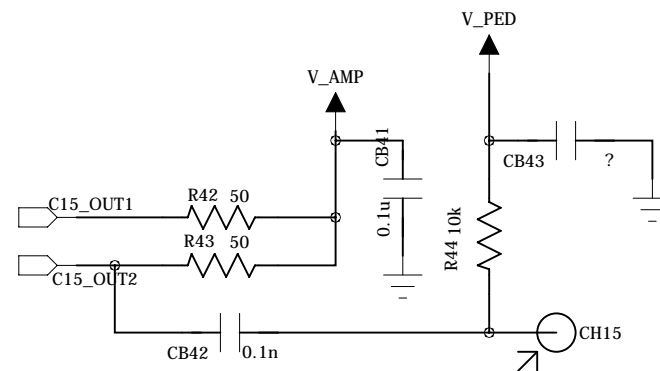
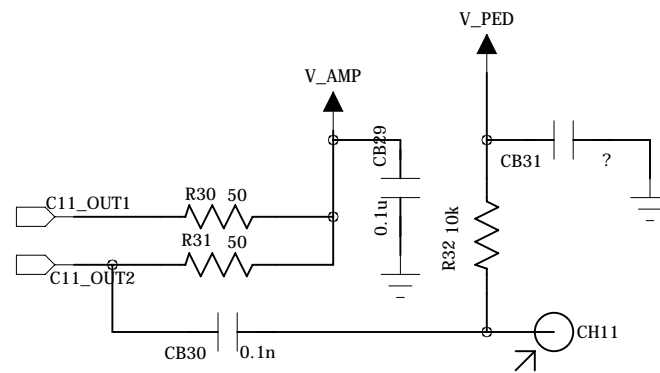
D



C



B



A

E

D

C

B

A

institution: University of Hawaii at Manoa
High Energy Physics Lab
<idlab>

title: KLM_Power_Test
revision: A
IDLAB design #: IDL_15_001
circuit design:
PCB design:

sheet #: 2 of 6
sheet description:
date last modified: 20150110

E

D

C

B

A

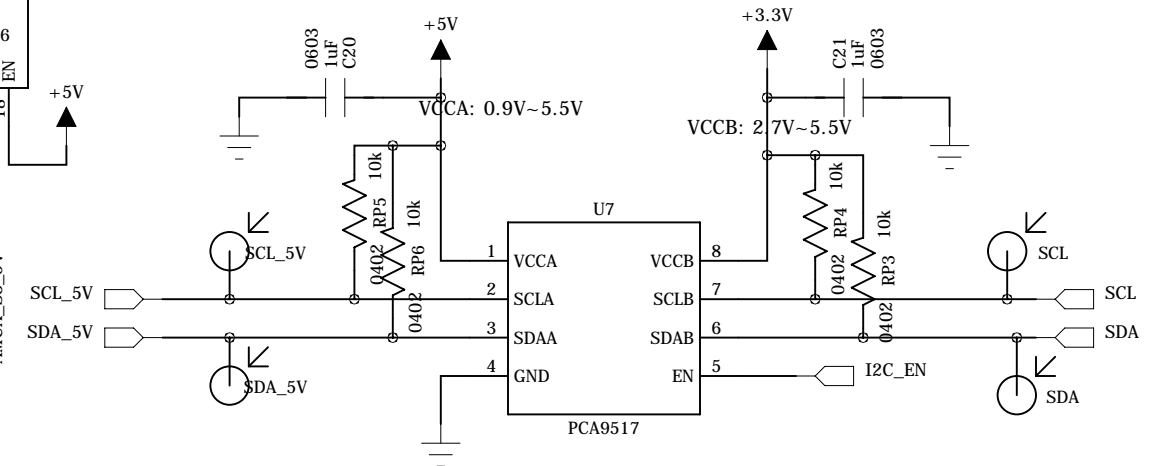
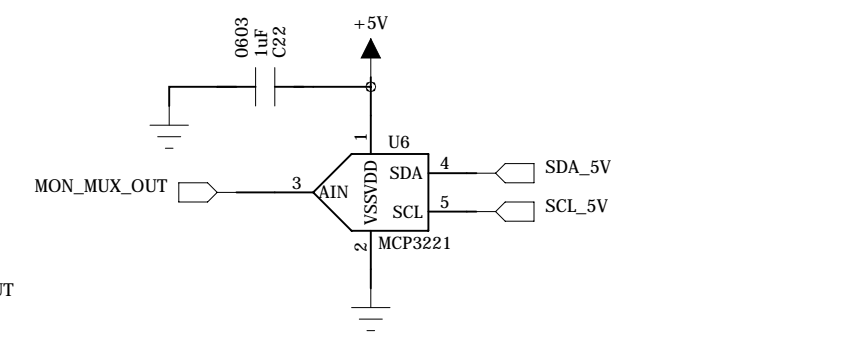
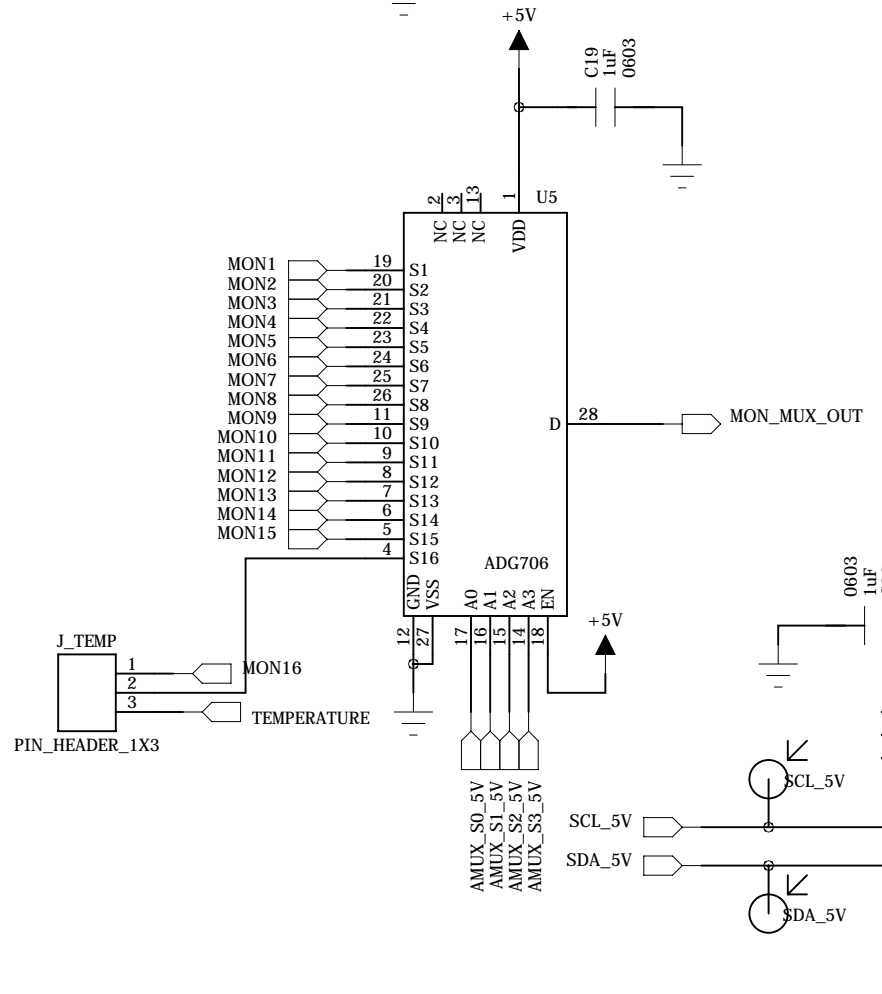
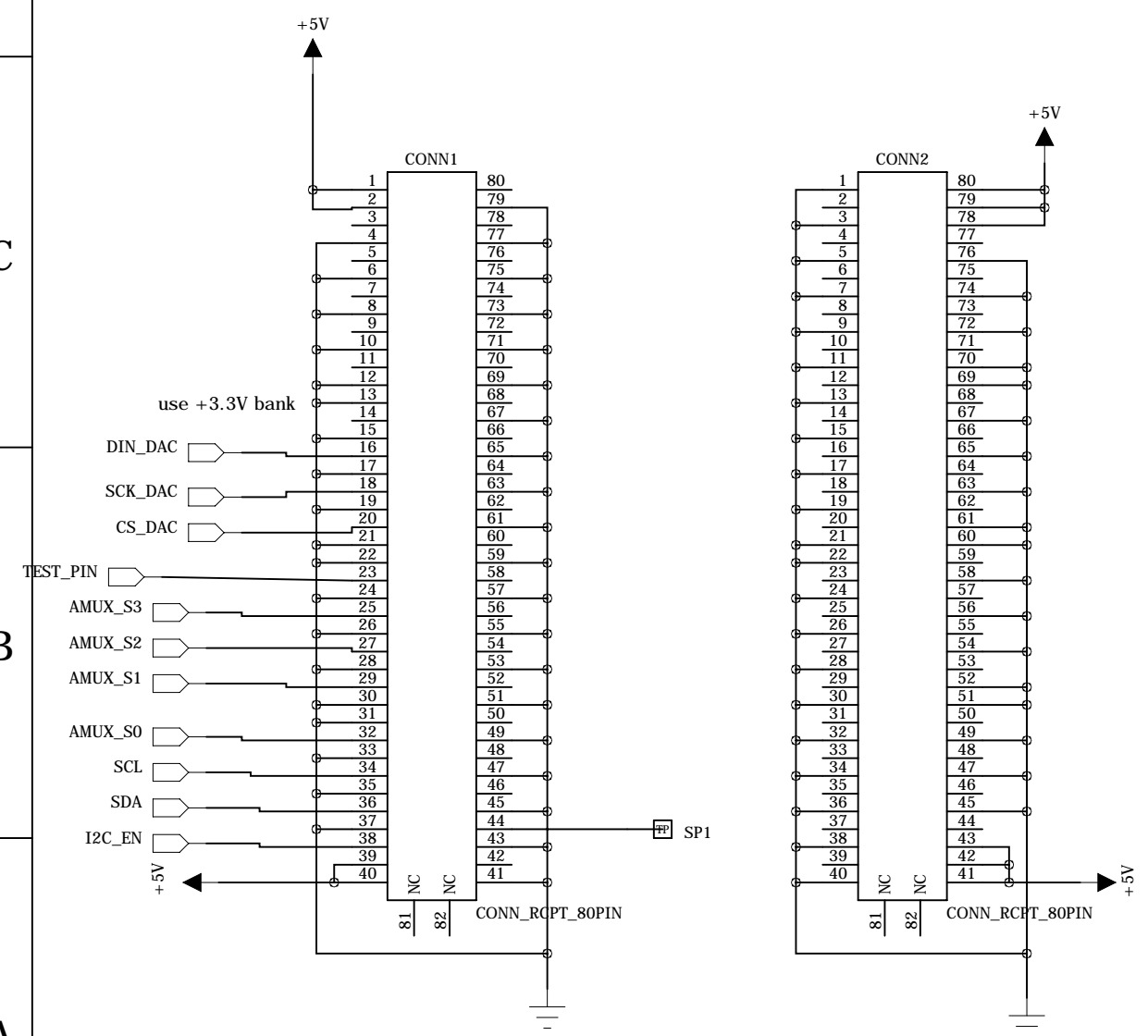
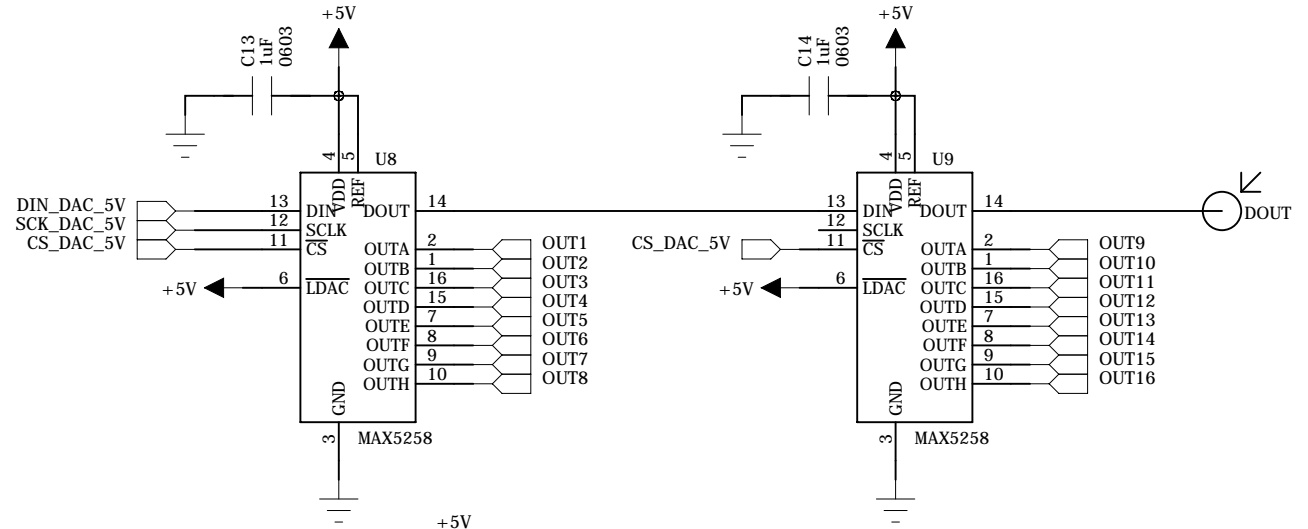
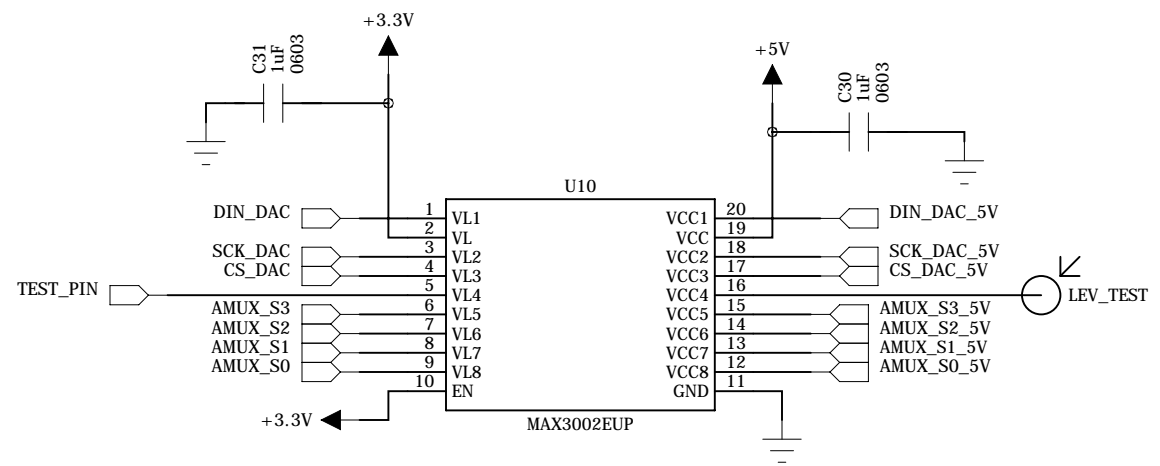
E

D

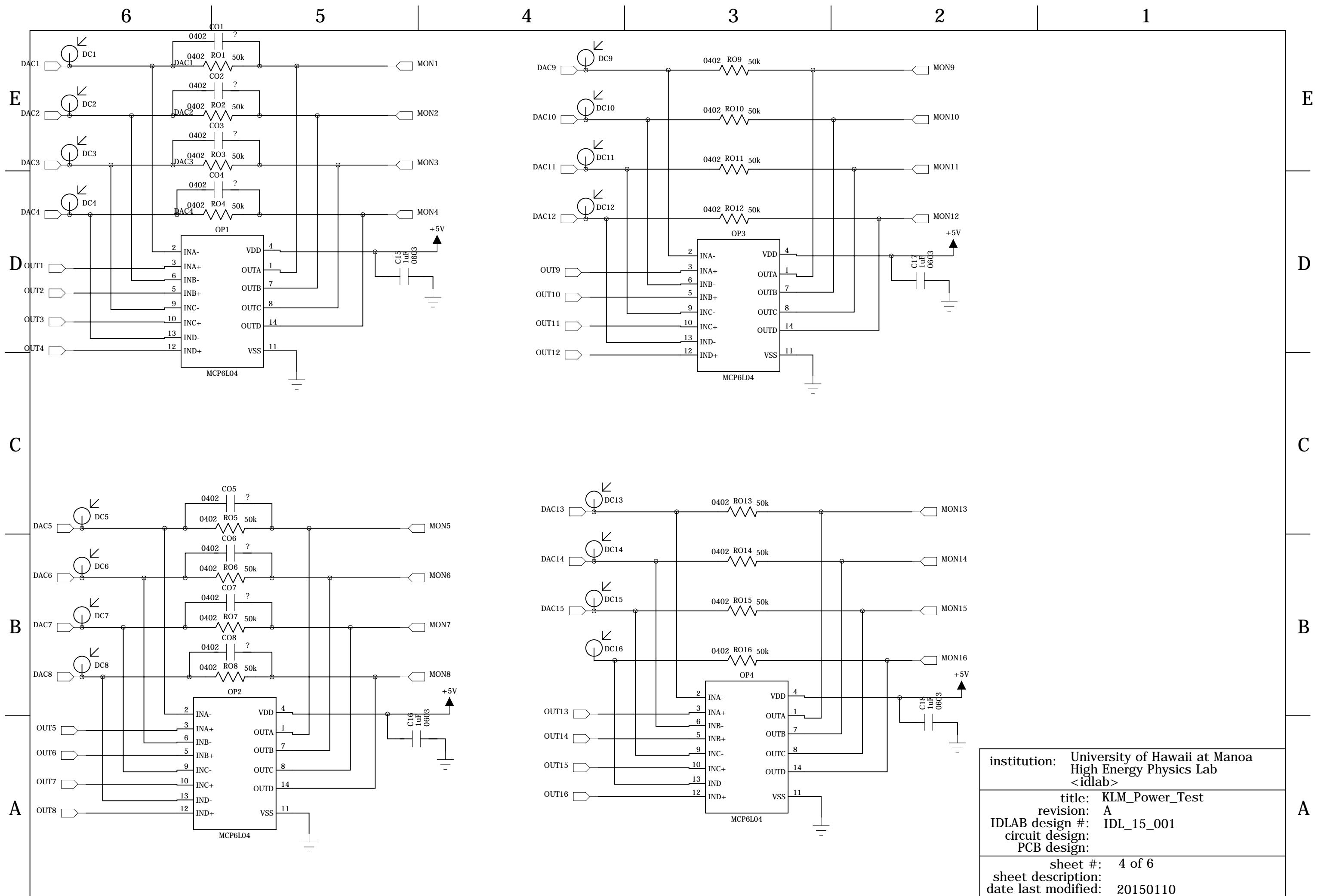
C

B

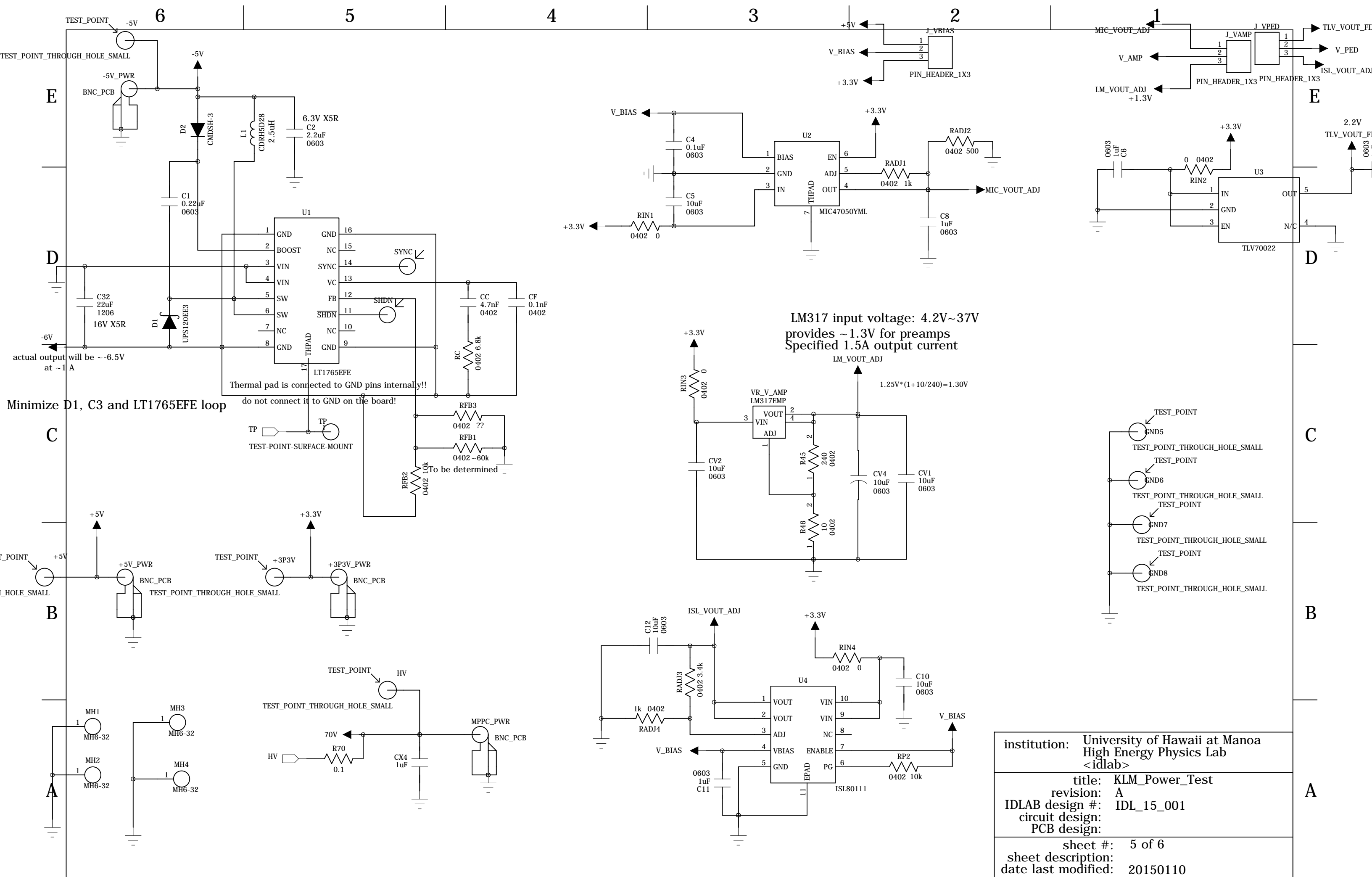
A



institution:	University of Hawaii at Manoa High Energy Physics Lab <idlab>
title:	KLM_Power_Test
revision:	A
IDLAB design #:	IDL_15_001
circuit design:	
PCB design:	
sheet #:	3 of 6
sheet description:	
date last modified:	20150110



institution:	University of Hawaii at Manoa High Energy Physics Lab <idlab>
title:	KLM_Power_Test
revision:	A
IDLAB design #:	IDL_15_001
circuit design:	PCB design:
sheet #:	4 of 6
sheet description:	
date last modified:	20150110



Minimize D1, C3 and LT1765EFE loop

Thermal pad is connected to GND pins internally!!
do not connect it to GND on the board!

actual output will be ~-6.5V at ~1 A

LM317 input voltage: 4.2V~37V
provides ~1.3V for preamps
Specified 1.5A output current

$$1.25V * (1 + 10/240) = 1.30V$$

institution:	University of Hawaii at Manoa High Energy Physics Lab <idlab>
title:	KLM_Power_Test
revision:	A
IDLAB design #:	IDL_15_001
circuit design:	PCB design:
sheet #:	5 of 6
sheet description:	date last modified: 20150110

A

6

5

4

3

2

1

E

E

D

D

C

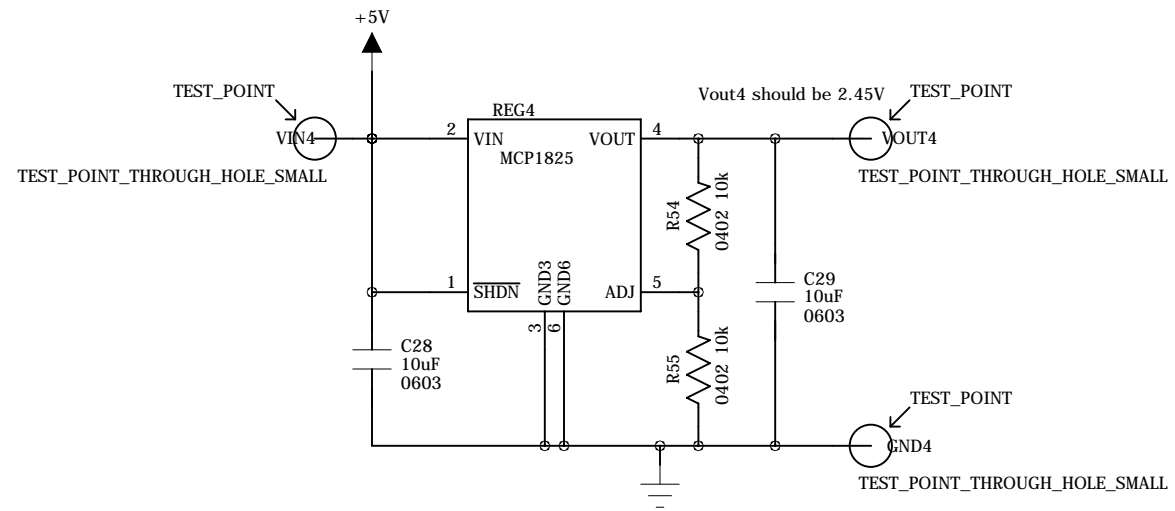
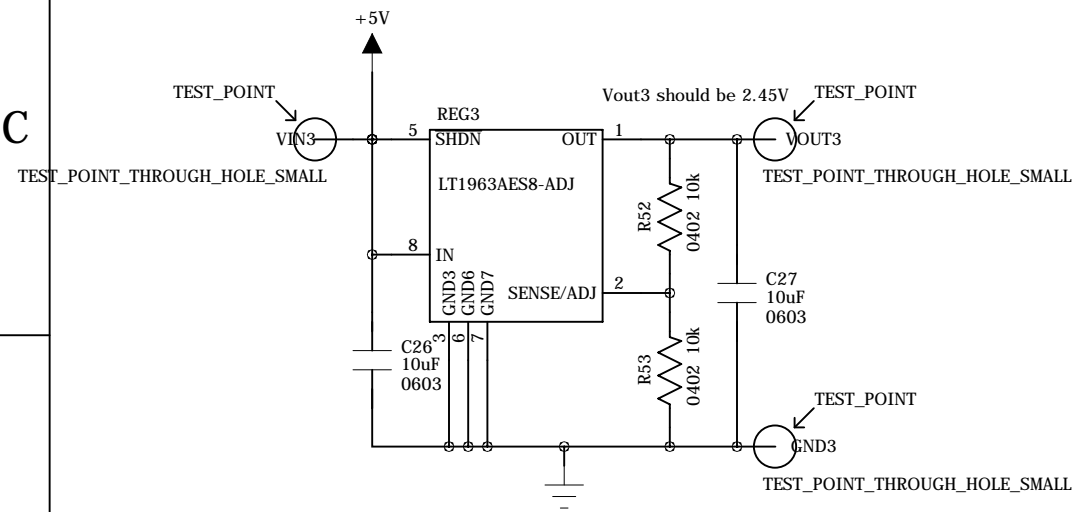
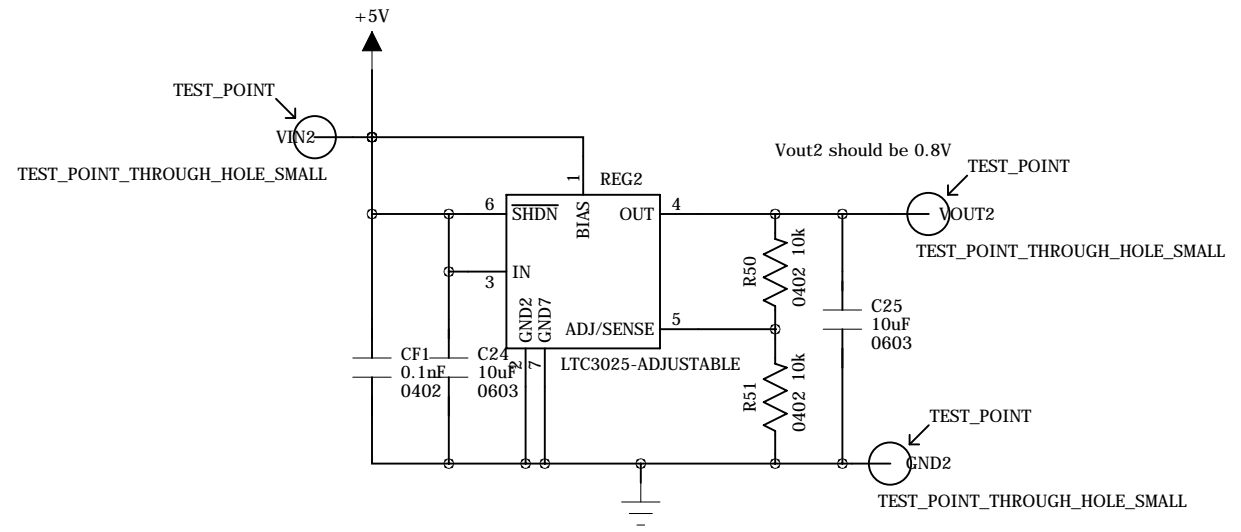
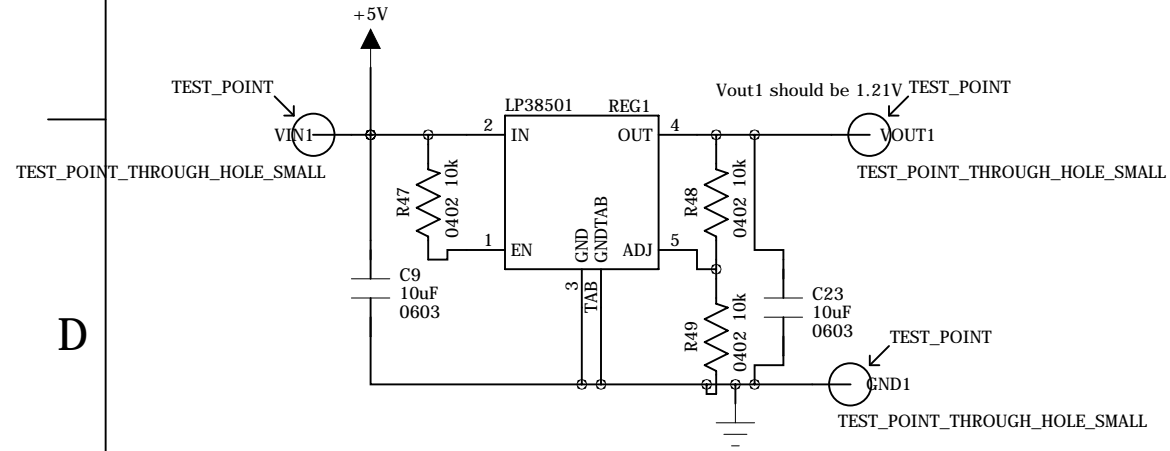
C

B

B

A

A



institution:	University of Hawaii at Manoa High Energy Physics Lab <idlab>
title:	KLM_Power_Test
revision:	A
IDLAB design #:	IDL_15_001
circuit design:	
PCB design:	
sheet #:	6 of 6
sheet description:	
date last modified:	20150110