

6

5

4

3

2

1

E

E

D

D

C

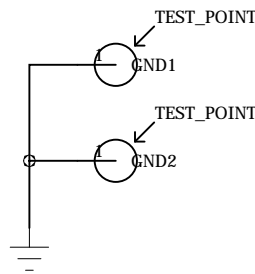
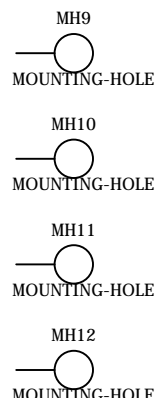
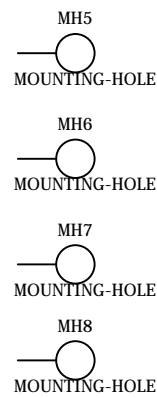
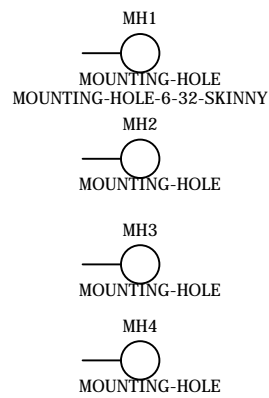
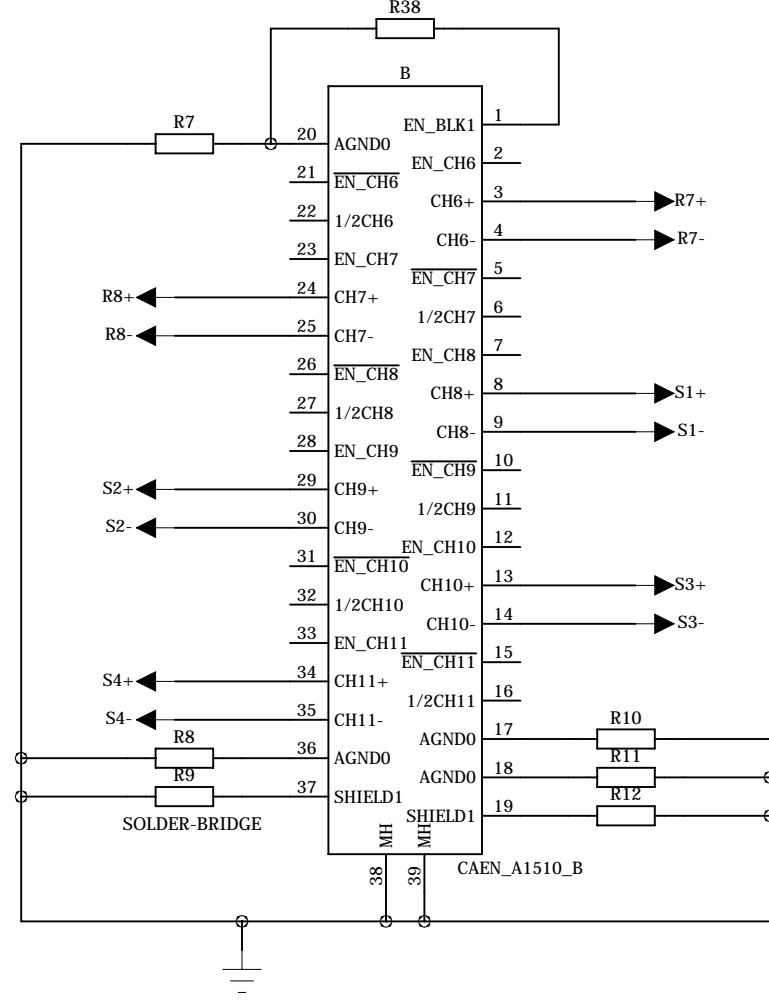
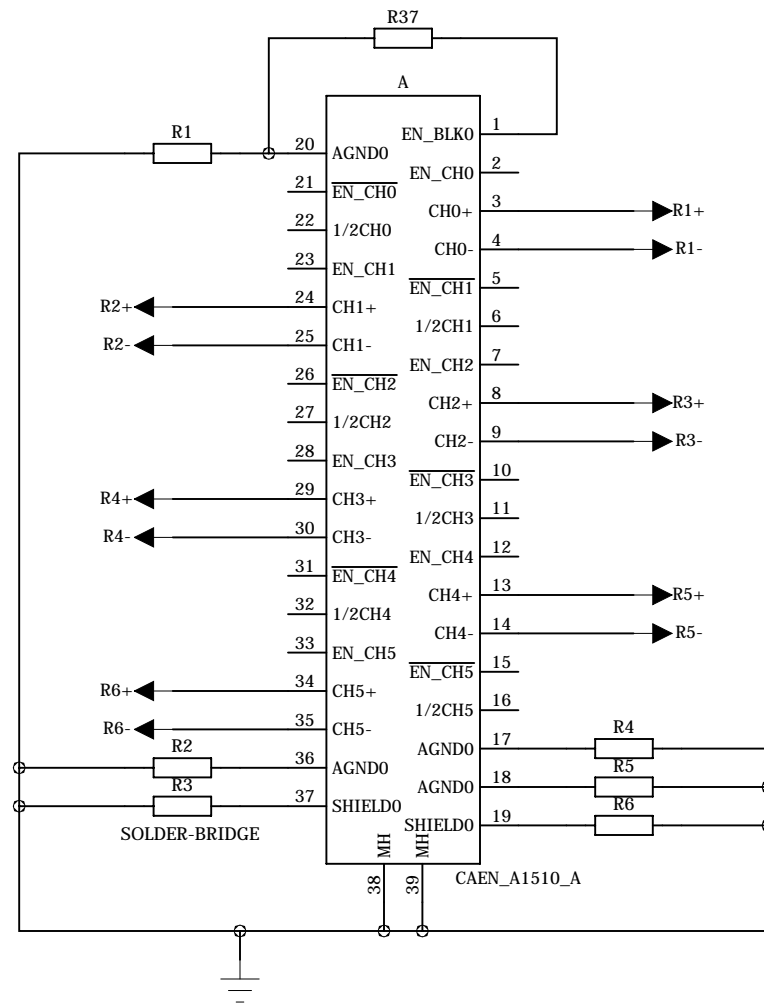
C

B

B

A

A



institution:	University of Hawaii at Manoa High Energy Physics Lab Instrumentation Development Lab
title:	KLM_Patch_Panel
revision:	A
IDLAB design #:	IDL_15_014
circuit design:	GV XS
PCB design:	XS

sheet #: 1 of 2
 sheet description:
 date last modified: 2015-04-22

6

5

4

3

2

1

E

E

D

D

C

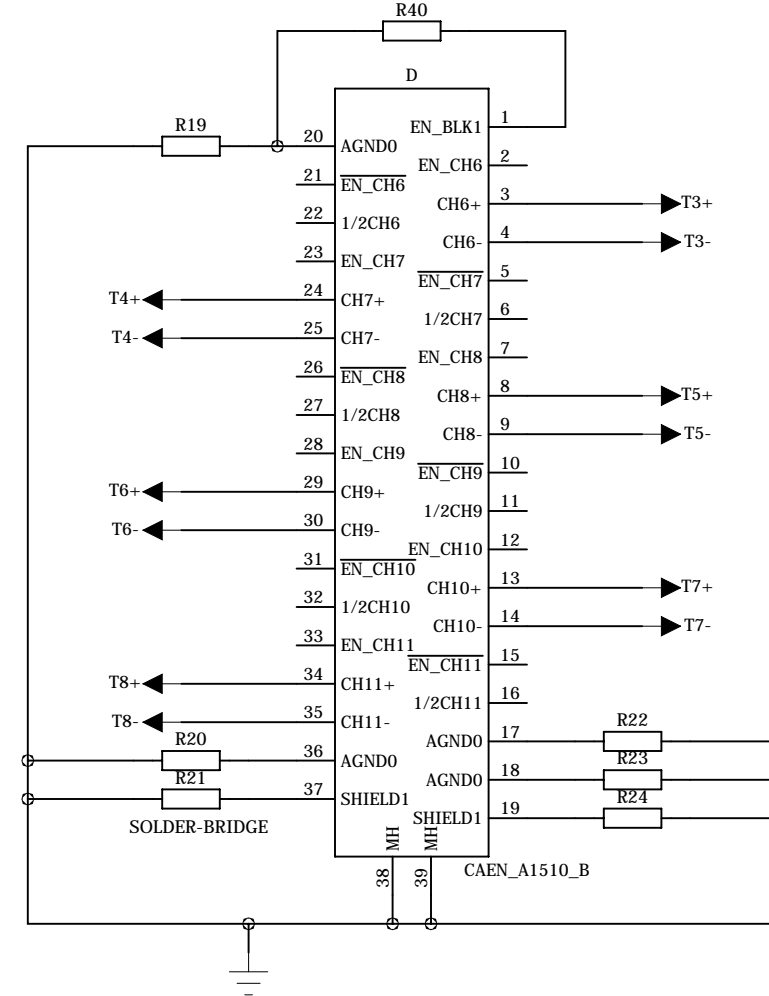
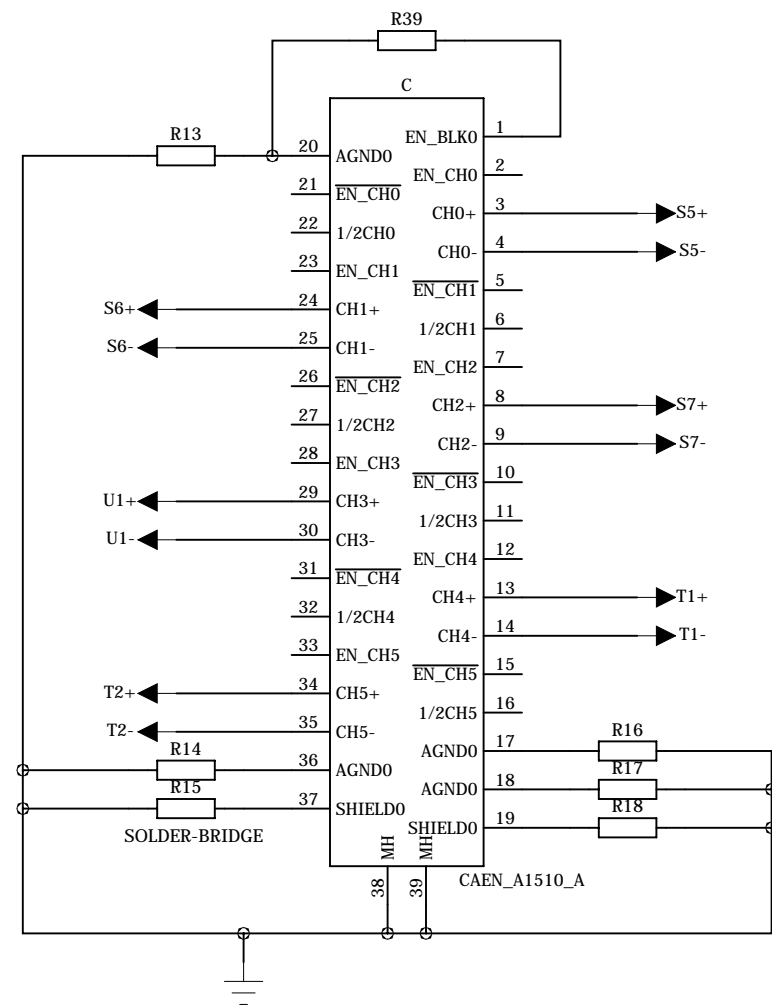
C

B

B

A

A



institution: University of Hawaii at Manoa
High Energy Physics Lab
Instrumentation Development Lab

title: KLM_Patch_Panel
revision: A
IDLAB design #: IDL_15_014
circuit design: GV XS
PCB design: XS

sheet #: 1 of 2
sheet description: .
date last modified: 2015-04-22

6

5

4

3

2

1

E

E

D

D

C

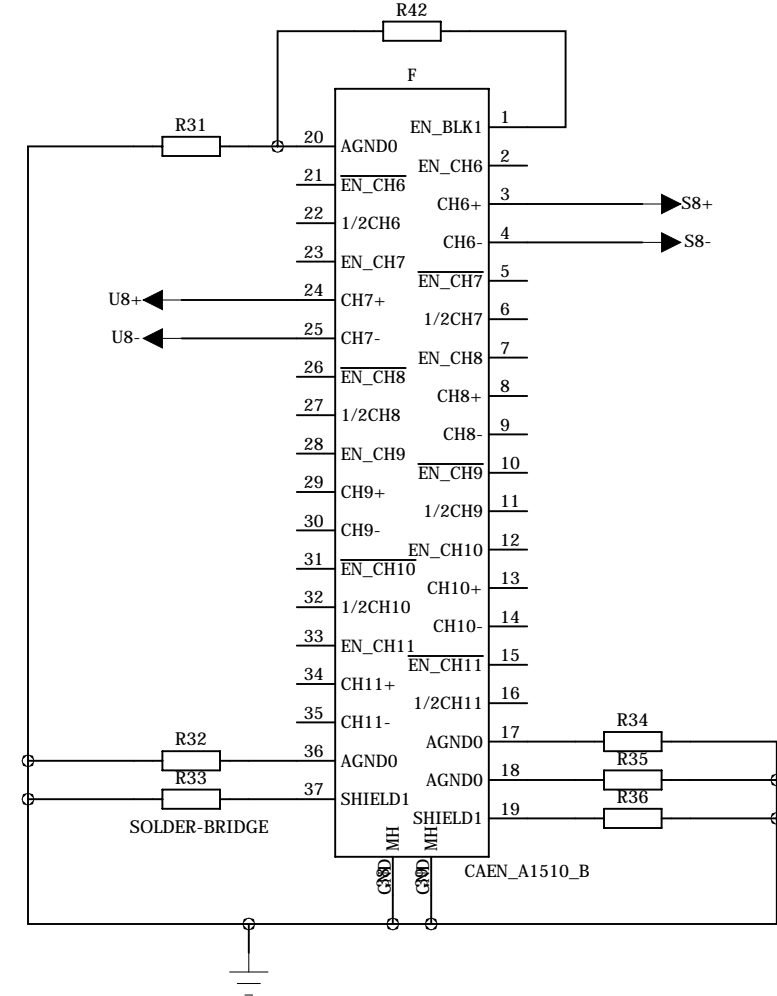
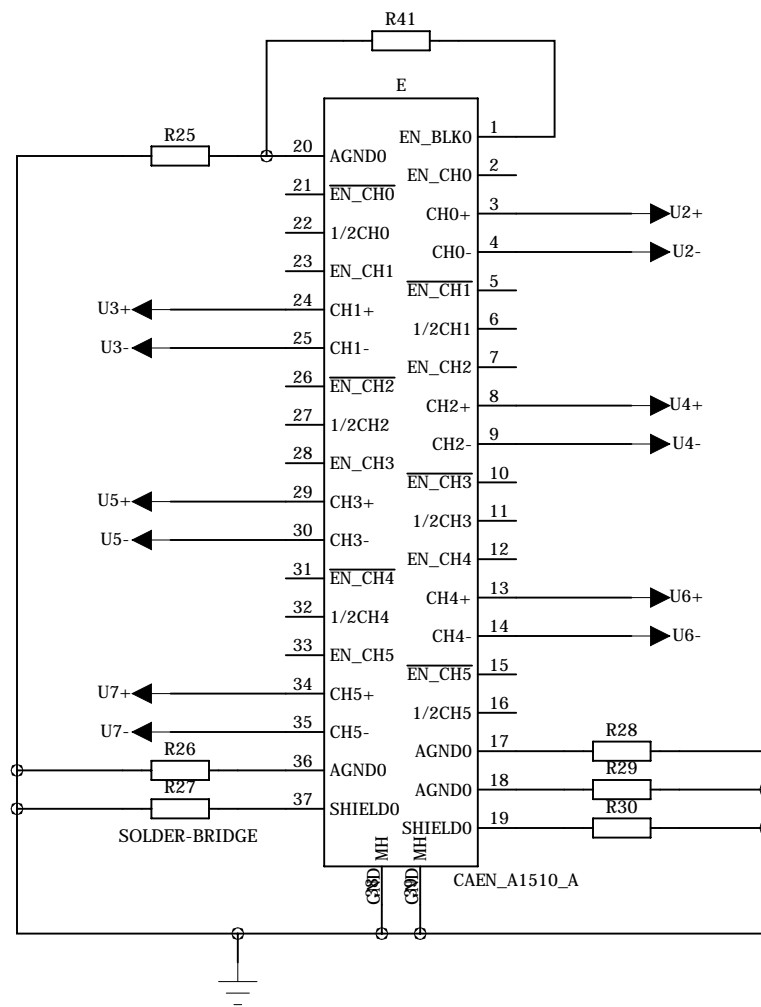
C

B

B

A

A



institution: University of Hawaii at Manoa
High Energy Physics Lab
Instrumentation Development Lab

title: KLM_Patch_Panel
revision: A
IDLAB design #: IDL_15_014
circuit design: GV XS
PCB design: XS

sheet #: 1 of 2
sheet description: .
date last modified: 2015-04-22

6

5

4

3

2

1

E

E

D

D

C

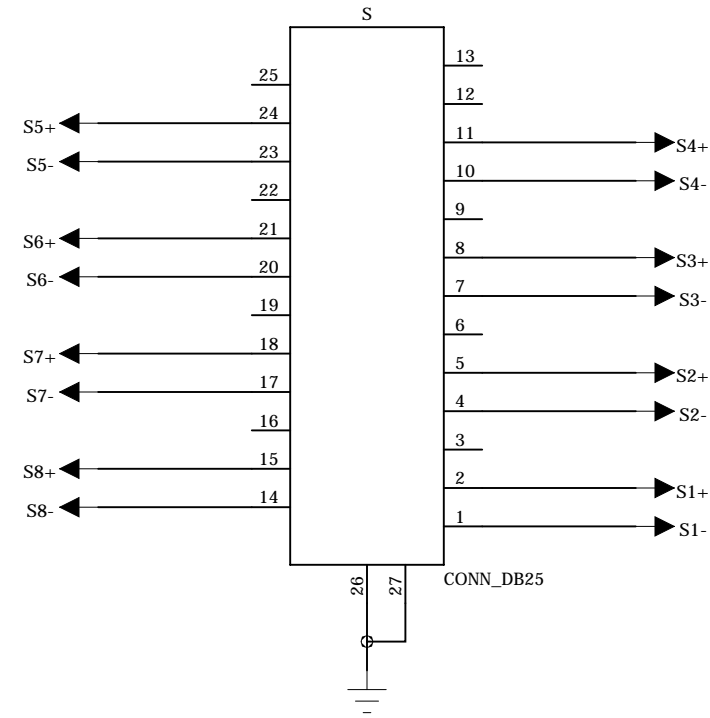
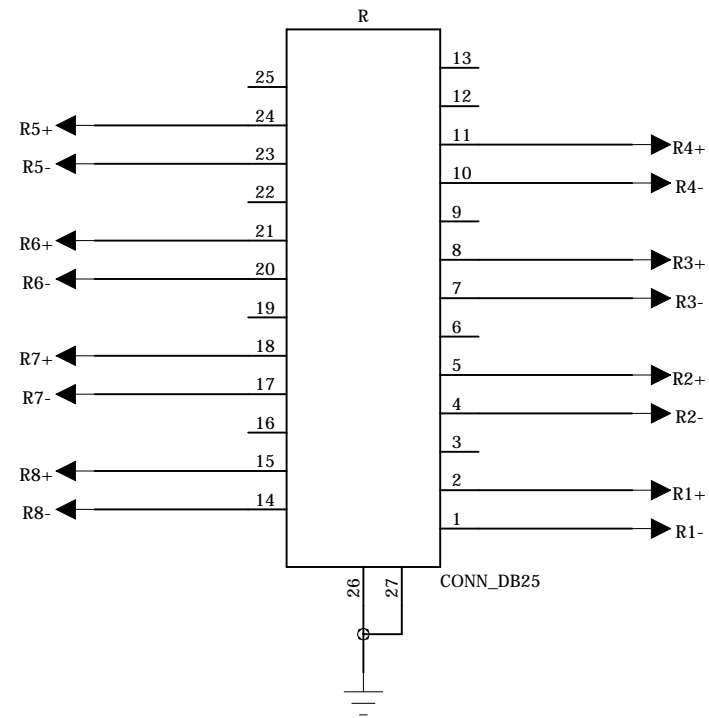
C

B

B

A

A



institution:	University of Hawaii at Manoa High Energy Physics Lab Instrumentation Development Lab
title:	KLM_Patch_Panel
revision:	A
IDLAB design #:	IDL_15_014
circuit design:	GV XS
PCB design:	XS
sheet #:	2 of 2
sheet description:	.
date last modified:	2015-04-22

6

5

4

3

2

1

E

E

D

D

C

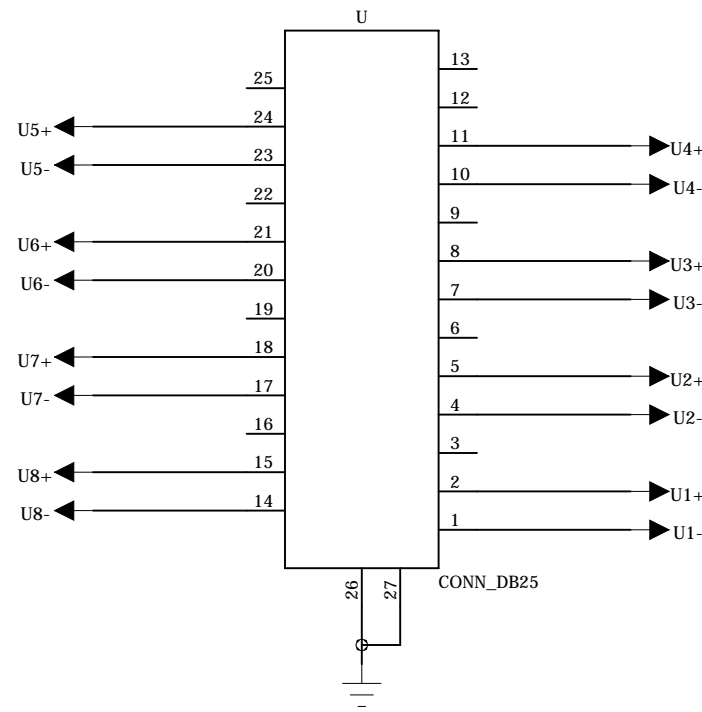
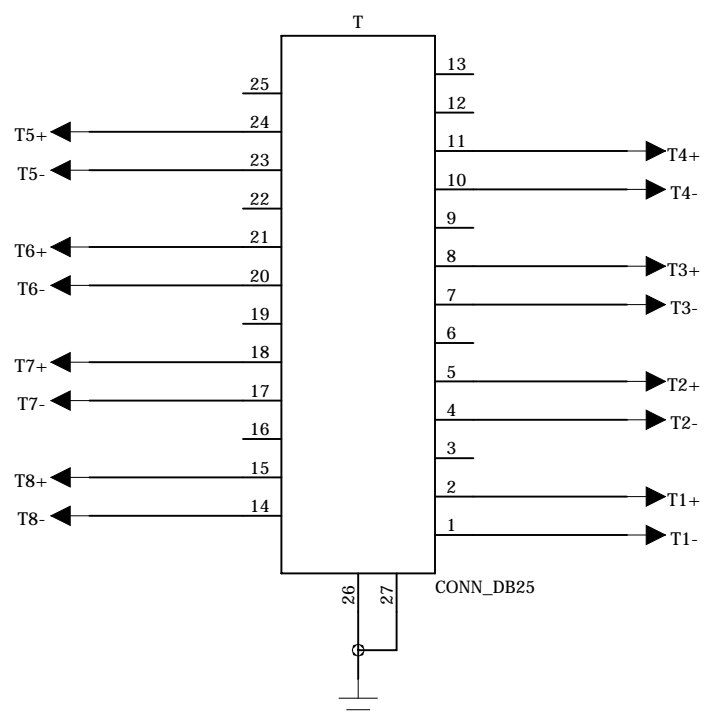
C

B

B

A

A



institution:	University of Hawaii at Manoa High Energy Physics Lab Instrumentation Development Lab
title:	KLM_Patch_Panel
revision:	A
IDLAB design #:	IDL_15_014
circuit design:	GV XS
PCB design:	XS
sheet #:	1 of 2
sheet description:	.
date last modified:	2015-04-22