

E

D

C

B

A

6

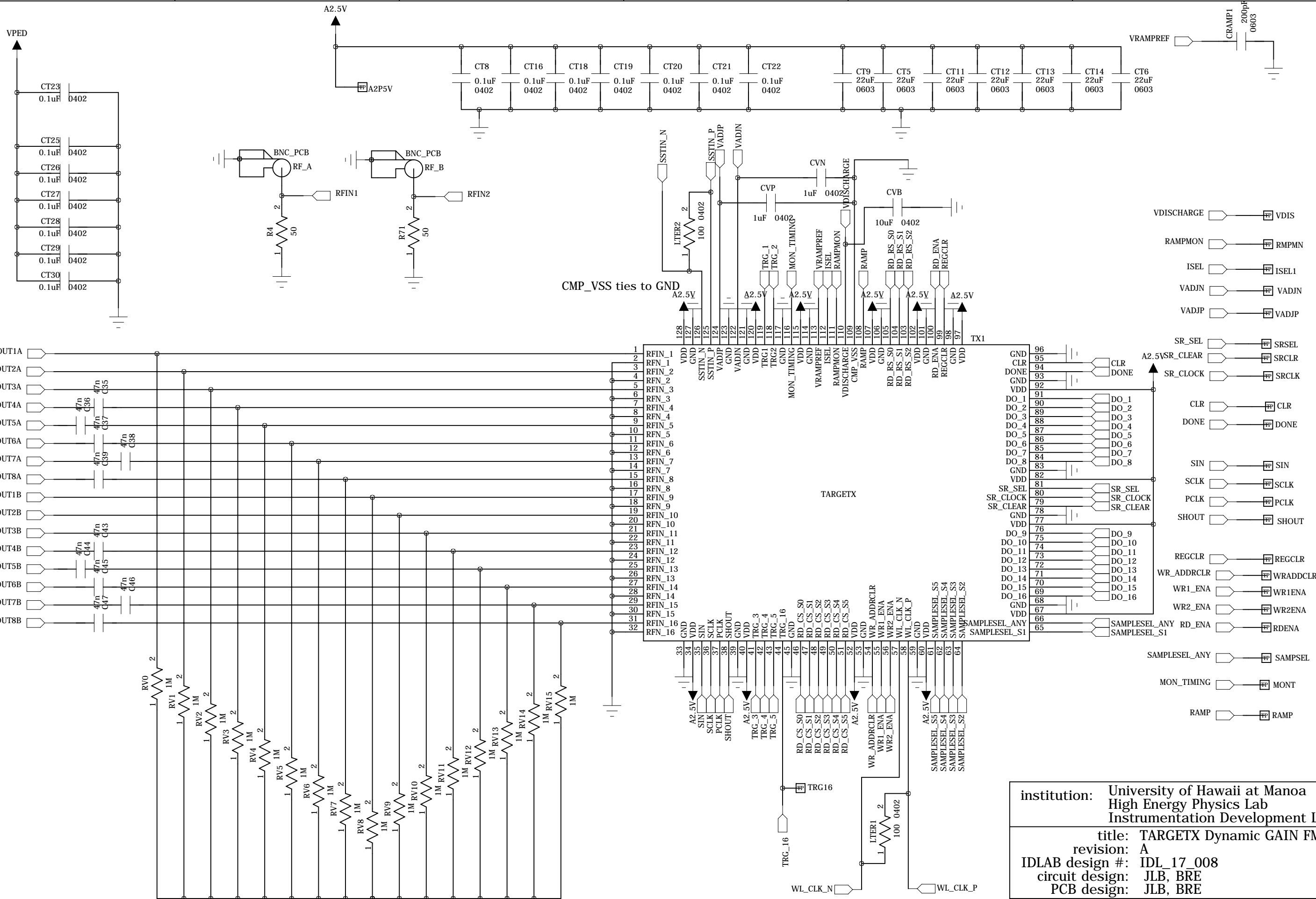
5

4

3

2

1



institution:	University of Hawaii at Manoa High Energy Physics Lab Instrumentation Development Lab
title:	TARGETX Dynamic GAIN FMC
revision:	A
IDLAB design #:	IDL_17_008
circuit design:	JLB, BRE
PCB design:	JLB, BRE

sheet #: 1 of 6  
 sheet description: ASIC\_TARGETX  
 date last modified: March 1, 2017

E

D

C

B

A

6

5

4

3

2

1

E

E

D

D

C

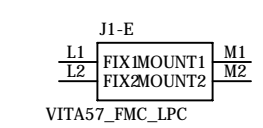
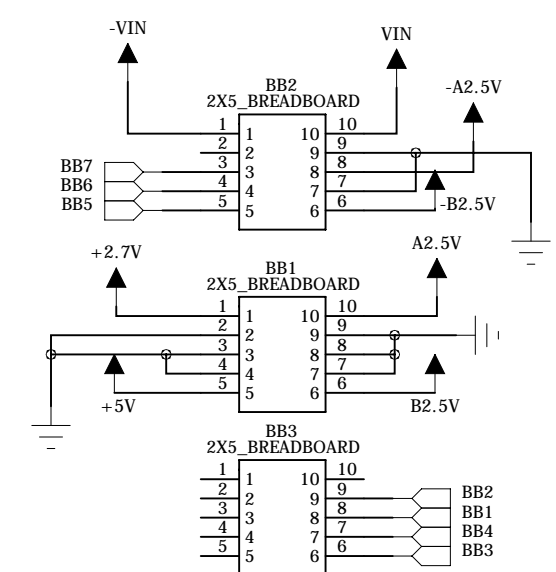
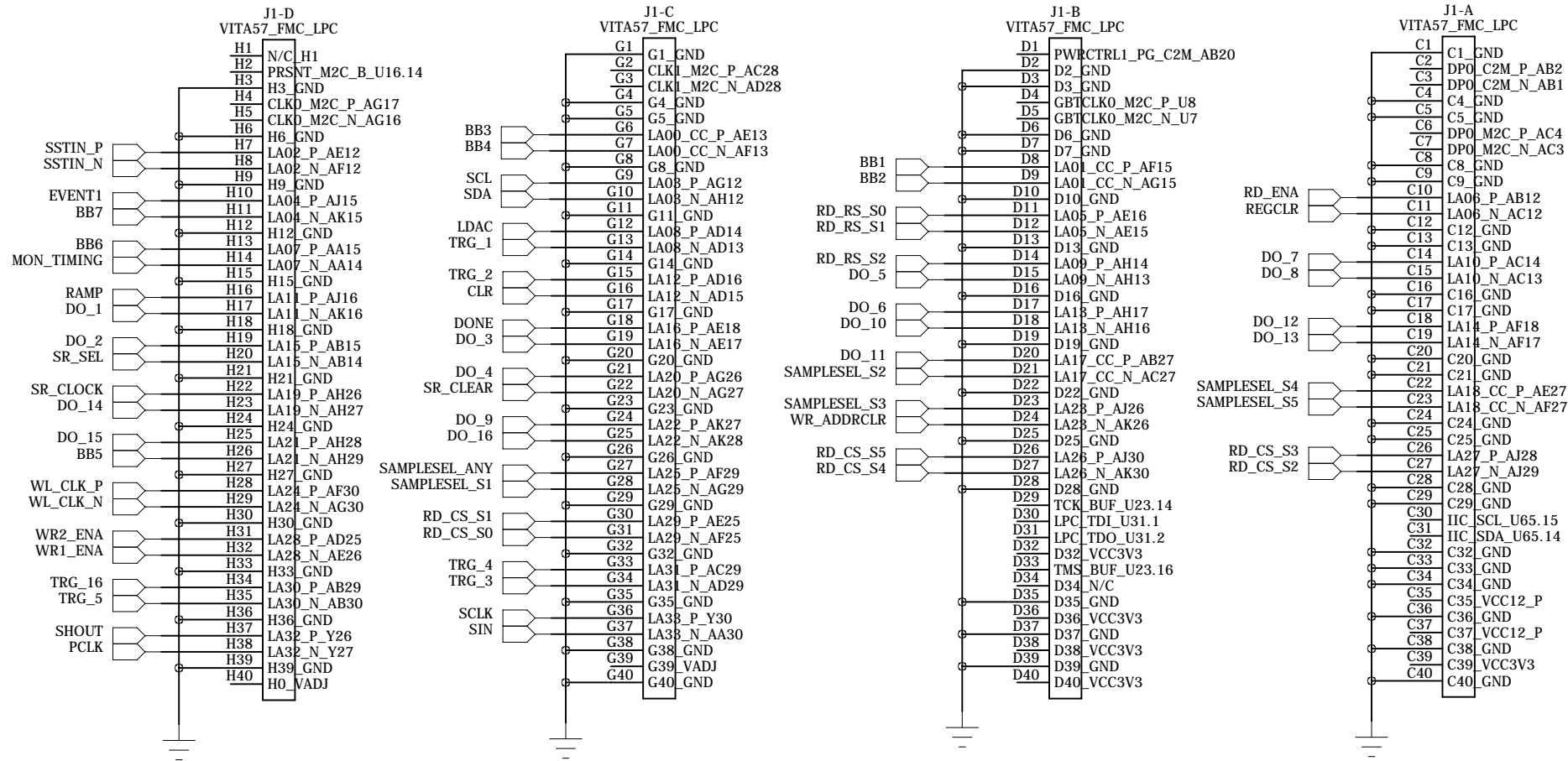
C

B

B

A

A



institution:	University of Hawaii at Manoa High Energy Physics Lab Instrumentation Development Lab
title:	TARGETX Dynamic GAIN FMC
revision:	A
IDLAB design #:	IDL_17_008
circuit design:	JLB, BRE
PCB design:	JLB, BRE
sheet #:	2 of 6
sheet description:	FMC LPC Connector
date last modified:	March 1, 2017

6

5

4

3

2

1

E

E

D

D

C

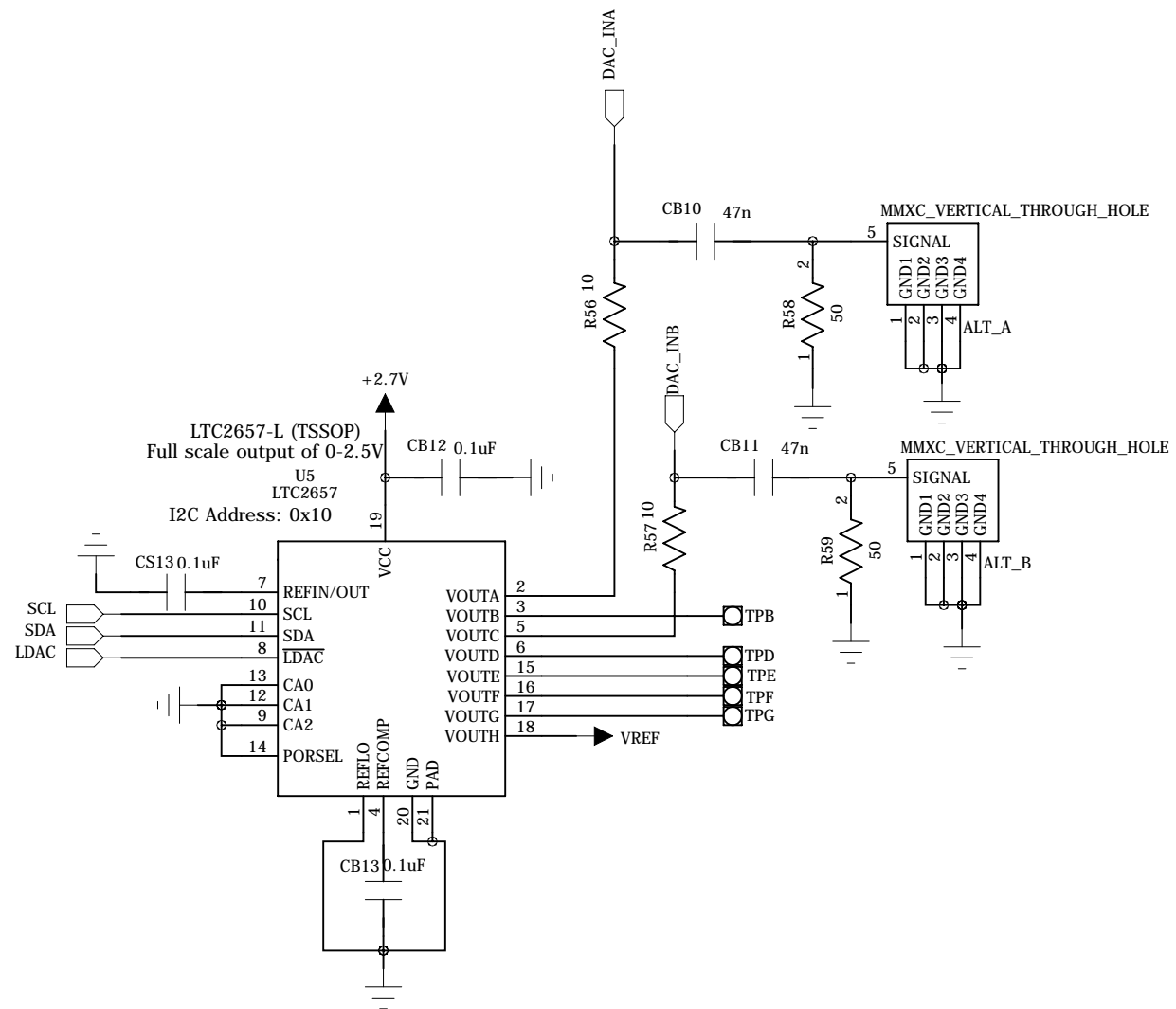
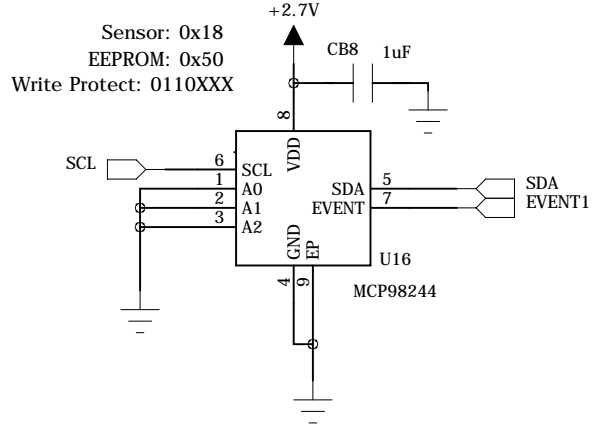
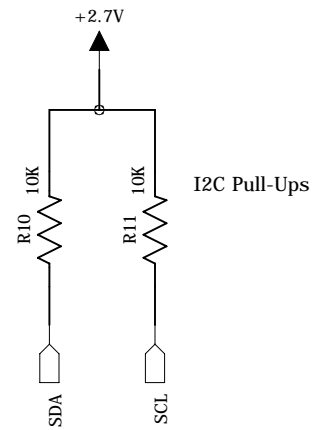
C

B

B

A

A



institution:	University of Hawaii at Manoa High Energy Physics Lab Instrumentation Development Lab
title:	TARGETX Dynamic GAIN FMC
revision:	A
IDLAB design #:	IDL_17_008
circuit design:	JLB, BRE
PCB design:	JLB, BRE
sheet #:	3 of 6
sheet description:	Peripherals
date last modified:	March 1, 2017

6

5

4

3

2

1

E

E

D

D

C

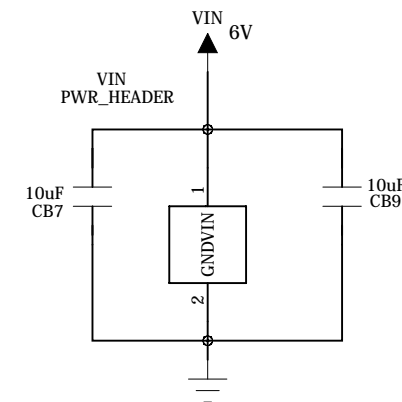
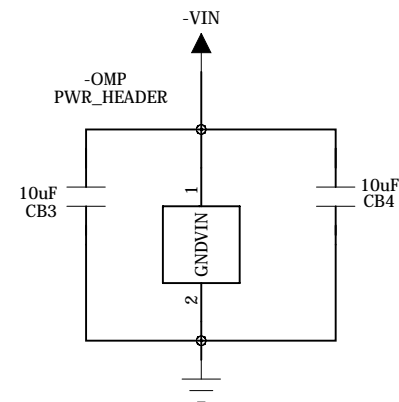
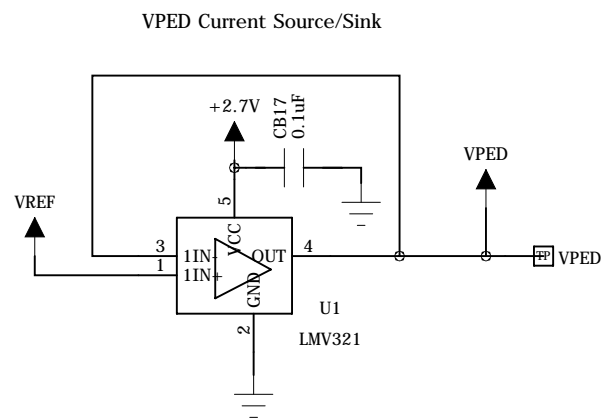
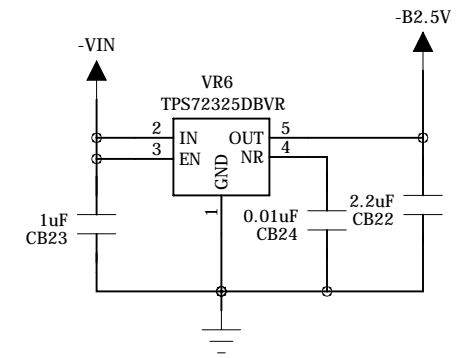
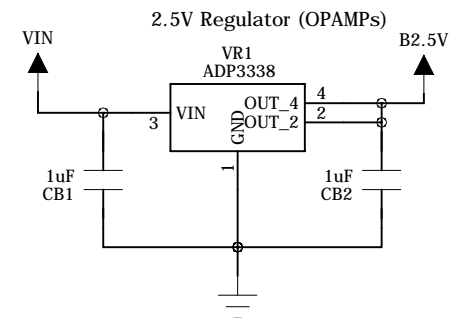
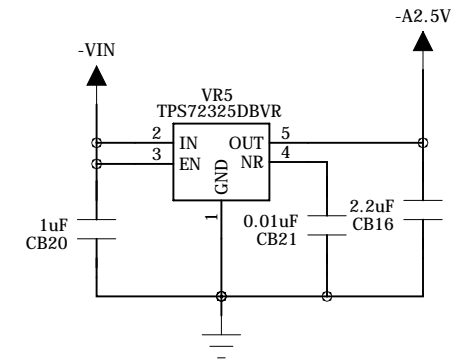
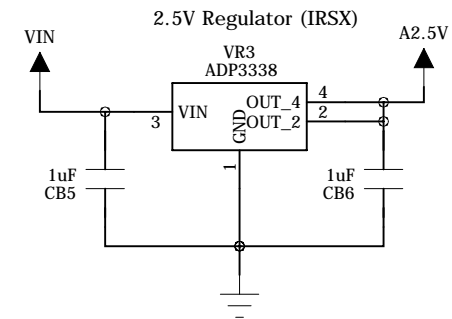
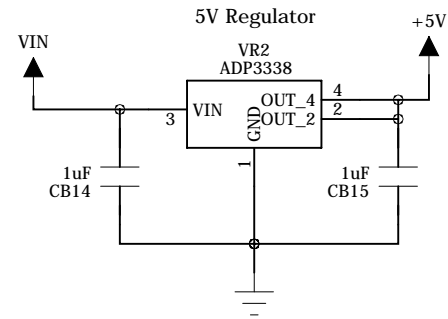
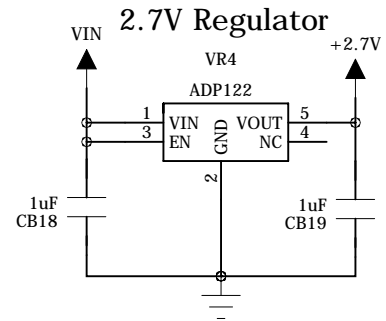
C

B

B

A

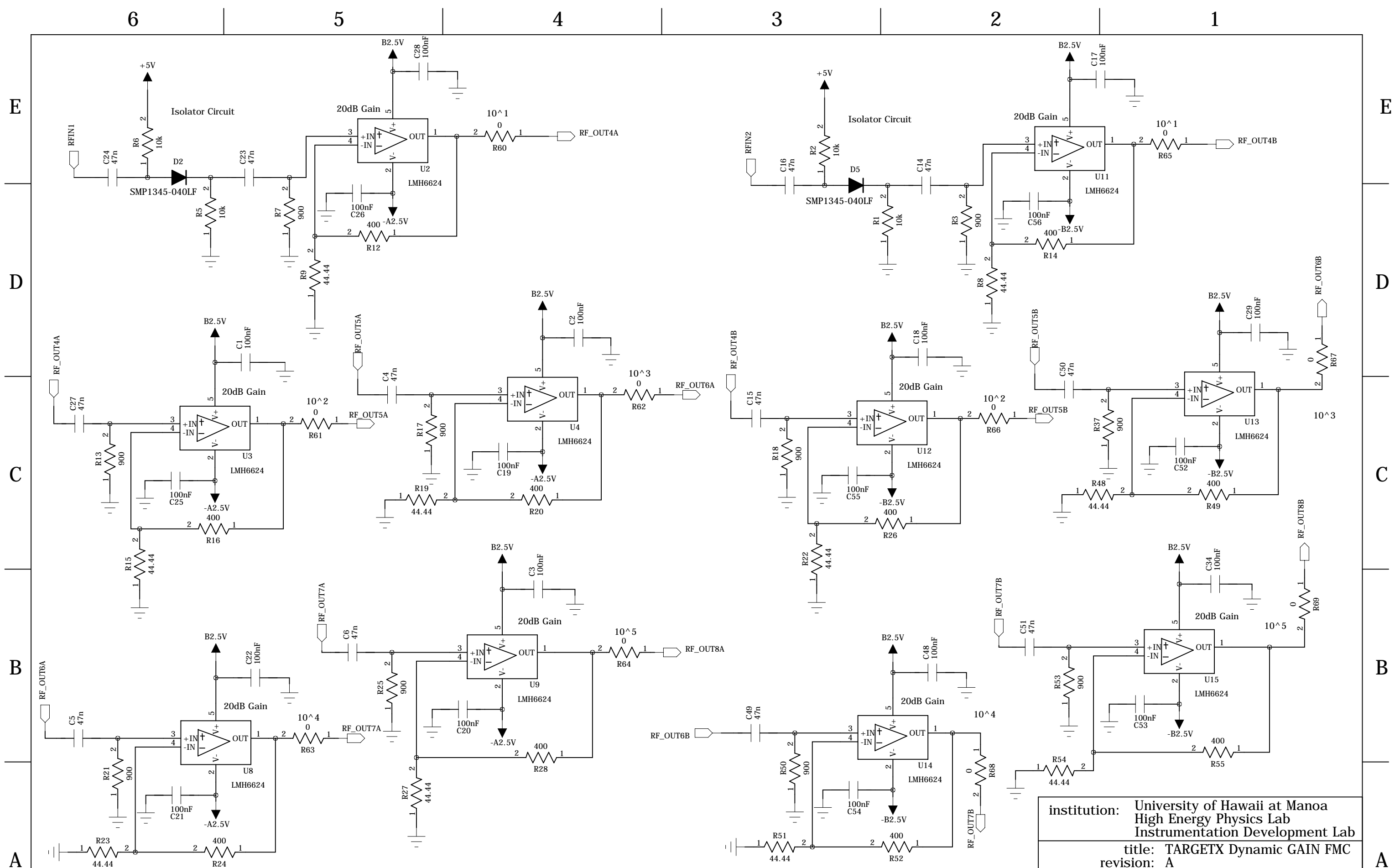
A



institution: University of Hawaii at Manoa  
High Energy Physics Lab  
Instrumentation Development Lab

title: TARGETX Dynamic GAIN FMC  
revision: A  
IDLAB design #: IDL\_17\_008  
circuit design: JLB, BRE  
PCB design: JLB, BRE

sheet #: 4 of 6  
sheet description: Power  
date last modified: March 1, 2017



institution:	University of Hawaii at Manoa High Energy Physics Lab Instrumentation Development Lab
title:	TARGETX Dynamic GAIN FMC
revision #:	A
IDLAB design #:	IDL_17_008
circuit design:	JLB, BRE
PCB design:	JLB, BRE
sheet #:	5 of 6
sheet description:	GAIN STAGES
date last modified:	March 1, 2017

6

5

4

3

2

1

E

E

D

D

C

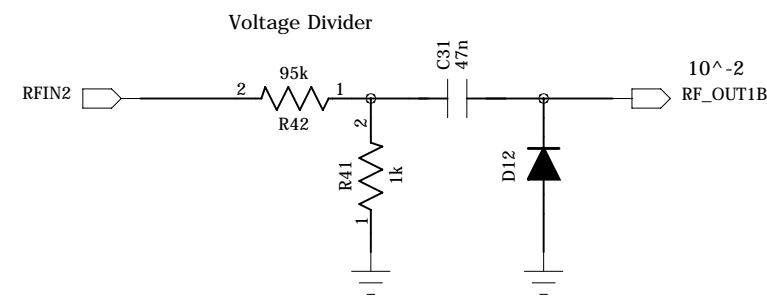
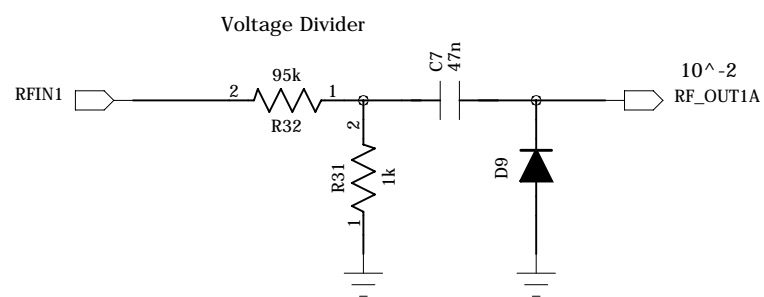
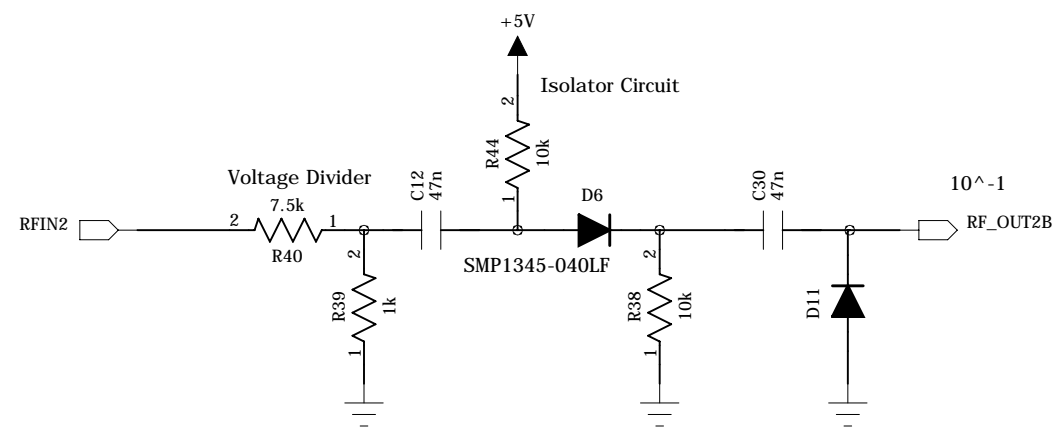
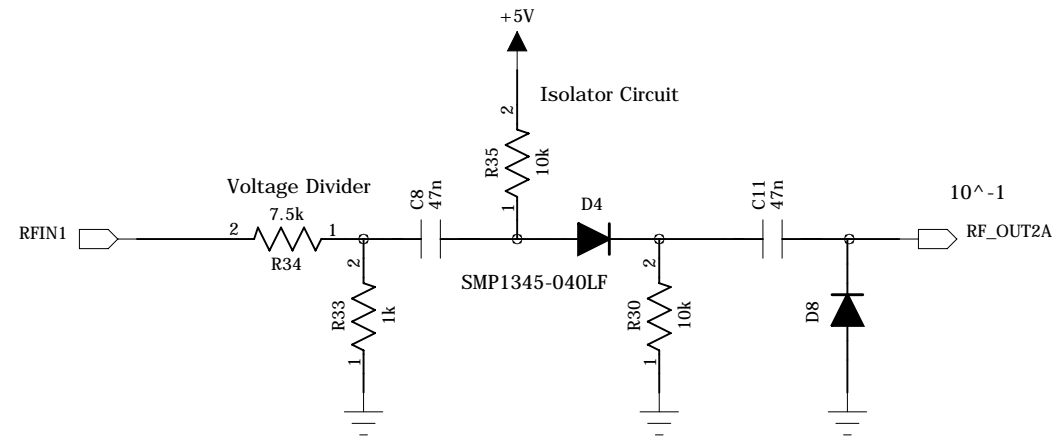
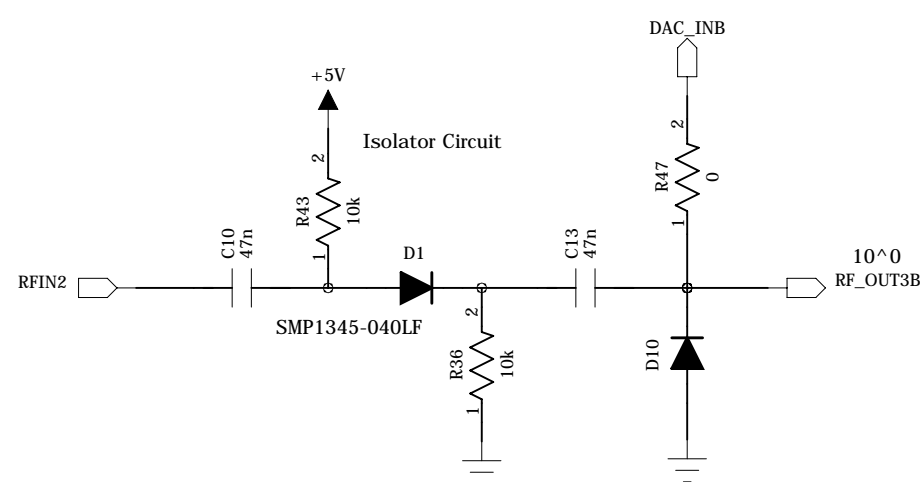
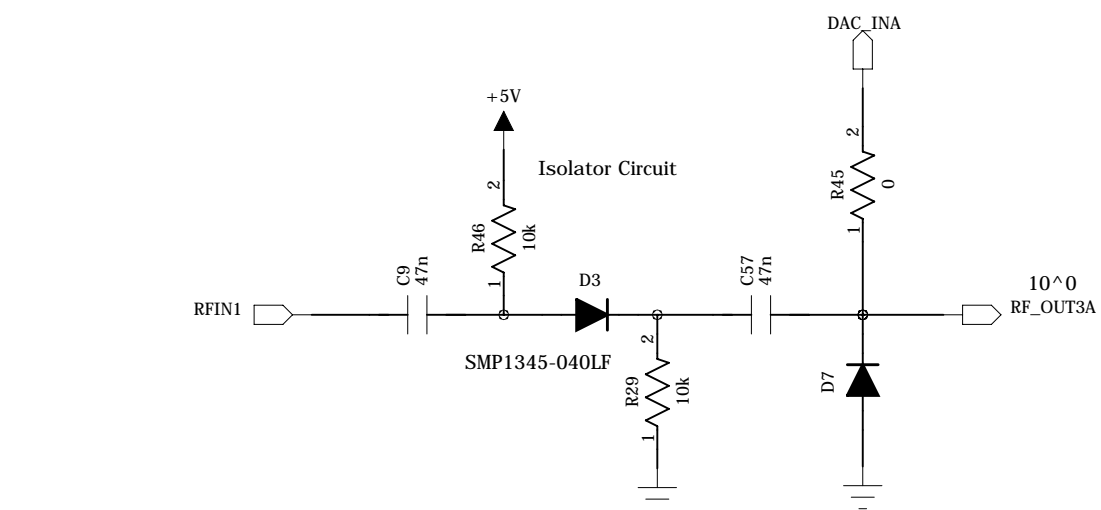
C

B

B

A

A



institution: University of Hawaii at Manoa  
High Energy Physics Lab  
Instrumentation Development Lab

title: TARGETX Dynamic GAIN FMC  
revision: A  
IDLAB design #: IDL\_17\_008  
circuit design: JLB, BRE  
PCB design: JLB, BRE

sheet #: 6 of 6  
sheet description: ATTENUATION STAGES  
date last modified: March 1, 2017