

E

D

C

B

A

6

5

4

3

2

1

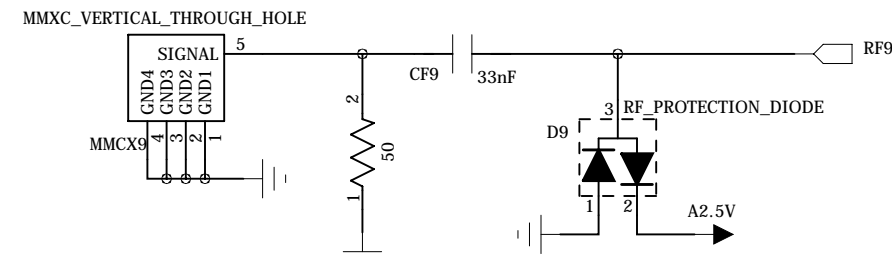
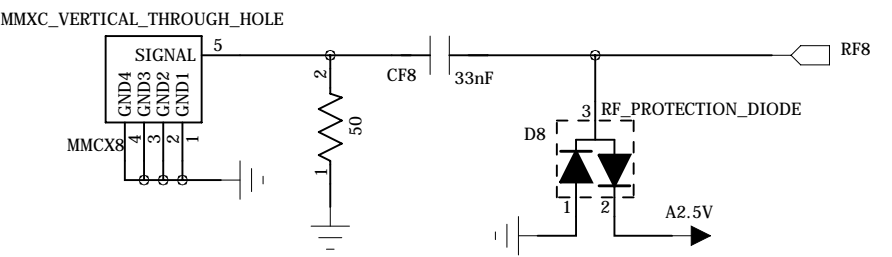
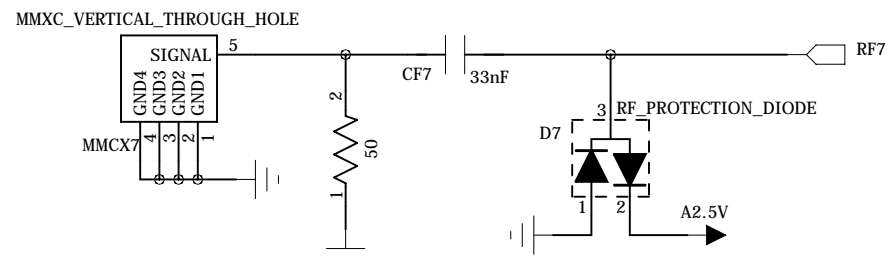
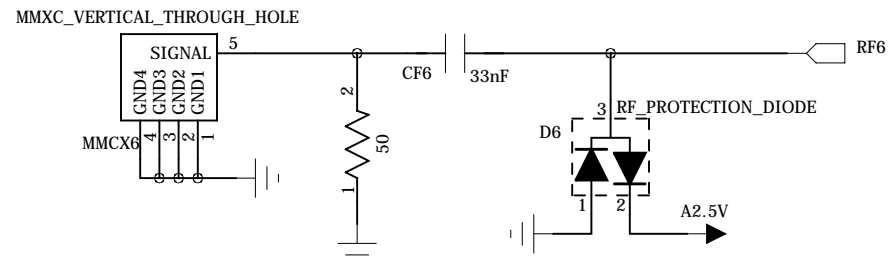
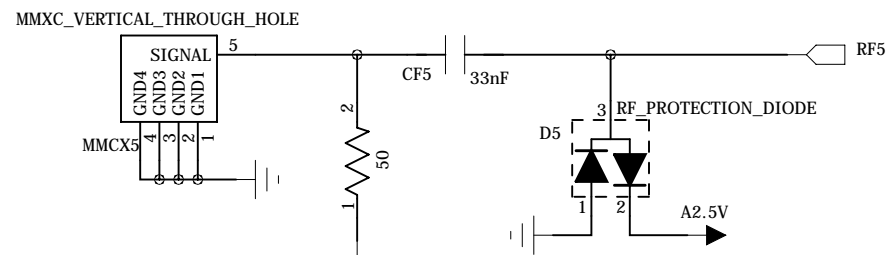
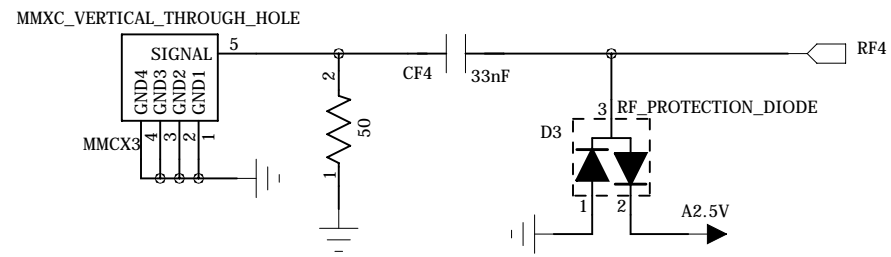
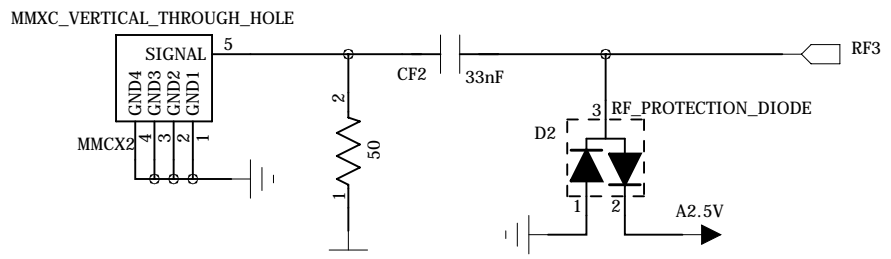
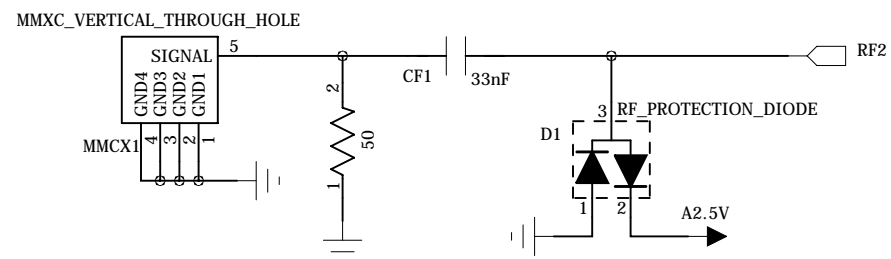
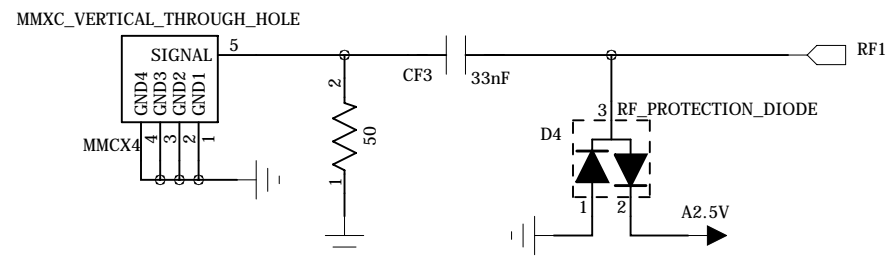
E

D

C

B

A



institution: University of Hawaii at Manoa  
High Energy Physics Lab  
Instrumentation Development Lab

title: STURM2 FMC  
revision: A  
IDLAB design #: IDL\_17\_008  
circuit design: CAB, JLB, GSV  
PCB design: CAB, GSV

sheet #: 1 of 3  
sheet description: Connectors  
date last modified: March 31, 2017

E

D

C

B

A

E

D

C

B

A

6

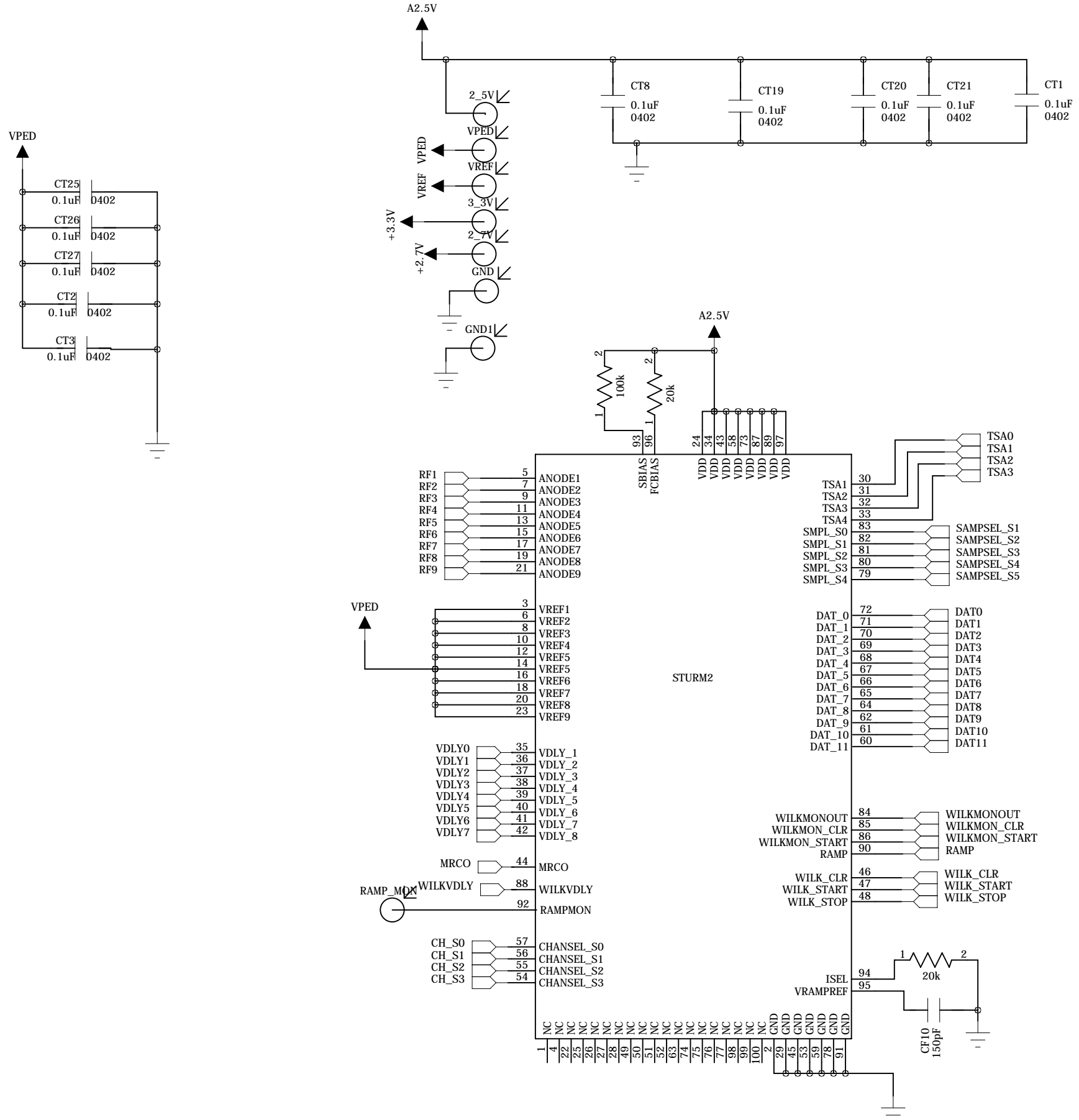
5

4

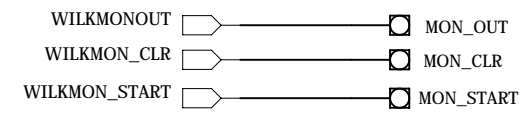
3

2

1



### FPGA Test Points



institution:	University of Hawaii at Manoa High Energy Physics Lab Instrumentation Development Lab
title:	STURM2 FMC
revision:	A
IDLAB design #:	IDL_17_008
circuit design:	CAB, JLB, GSV
PCB design:	CAB, GSV
sheet #:	2 of 3
sheet description:	ASIC_STURM2
date last modified:	March 31, 2017

6

5

4

3

2

1

E

E

D

D

C

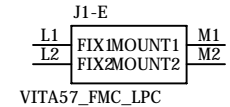
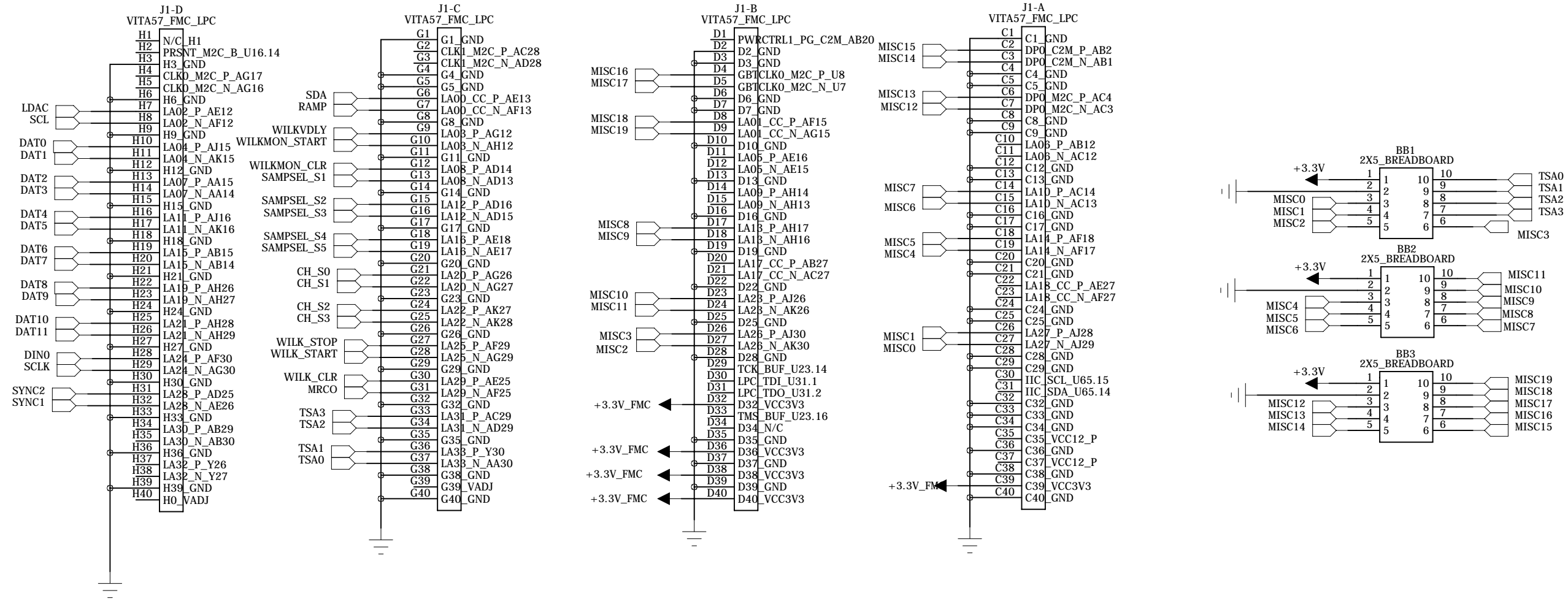
C

B

B

A

A



institution: University of Hawaii at Manoa  
High Energy Physics Lab  
Instrumentation Development Lab

title: STURM2 FMC  
revision: A  
IDLAB design #: IDL\_17\_008  
circuit design: CAB, JLB, GSV  
PCB design: CAB, GSV

sheet #: 3 of 3  
sheet description: FMC LPC Connector  
date last modified: March 31, 2017

6

5

4

3

2

1

E

E

D

D

C

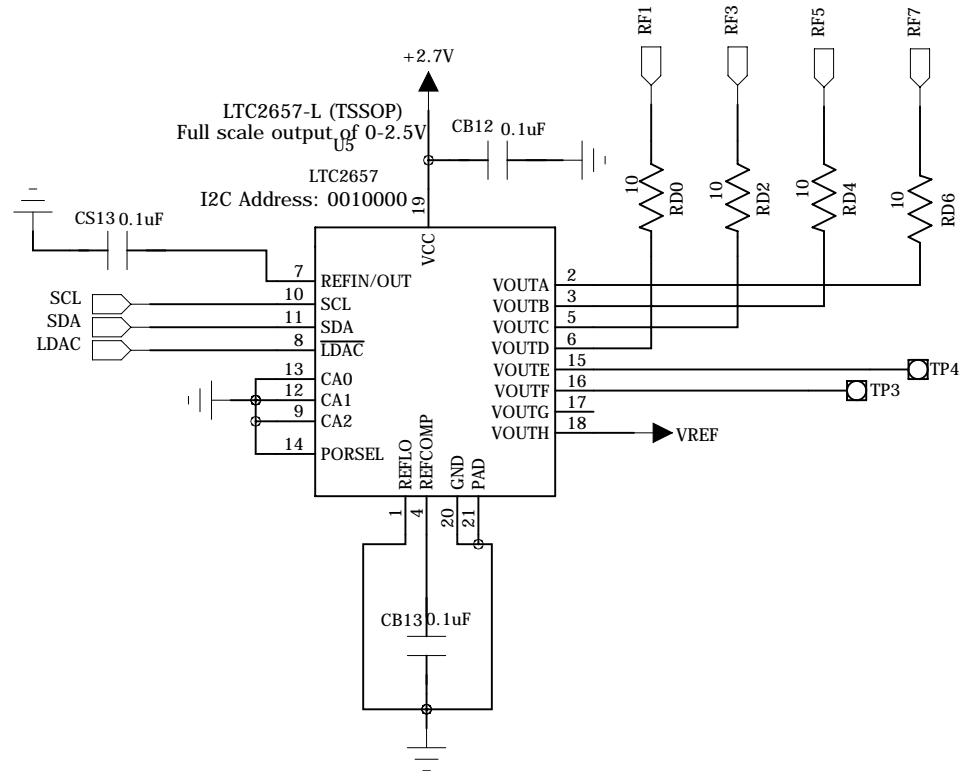
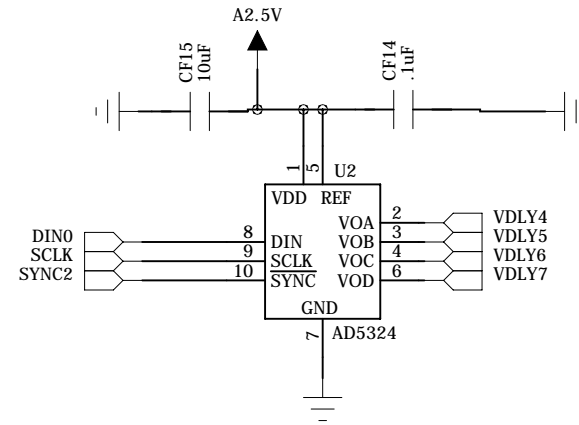
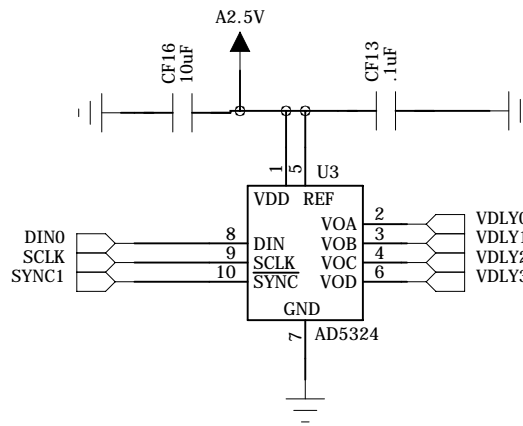
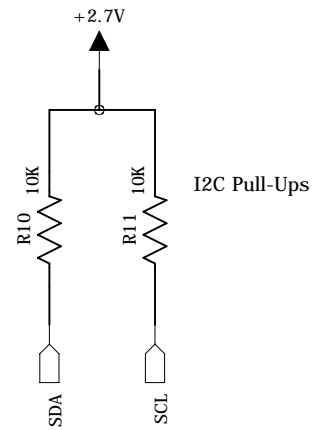
C

B

B

A

A



institution:	University of Hawaii at Manoa High Energy Physics Lab Instrumentation Development Lab
title:	STURM2 FMC
revision:	A
IDLAB design #:	IDL_17_008
circuit design:	CAB, JLB, GSV
PCB design:	CAB, GSV
sheet #:	1 of 3
sheet description:	Peripherals
date last modified:	March 31, 2017

6

5

4

3

2

1

E

E

D

D

C

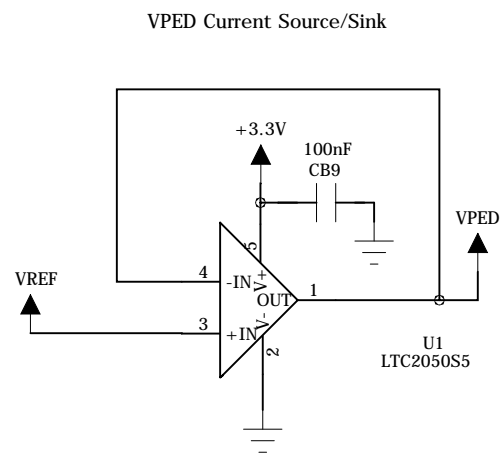
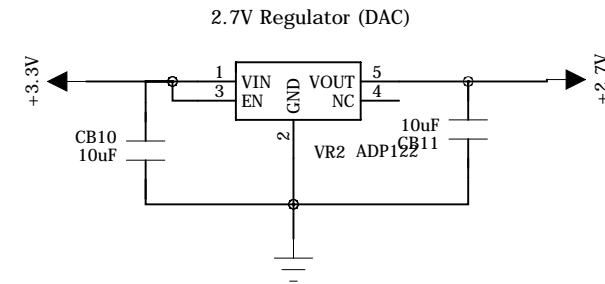
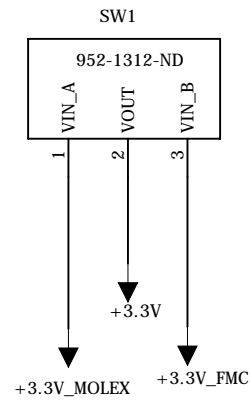
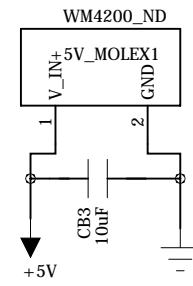
C

B

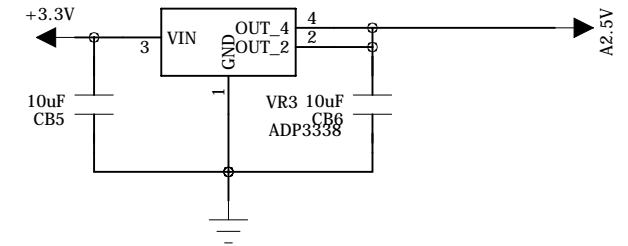
B

A

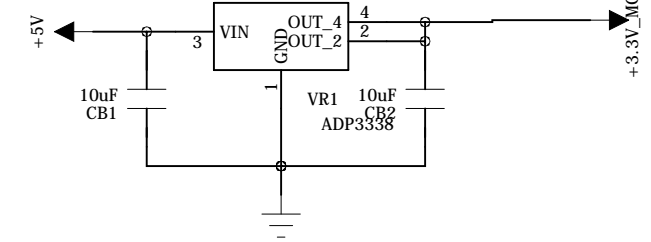
A



2.5V Regulator (STURM2)



3.3V Regulator



institution: University of Hawaii at Manoa  
High Energy Physics Lab  
Instrumentation Development Lab

title: STURM2 FMC  
revision: A  
IDLAB design #: IDL\_17\_008  
circuit design: CAB, JLB, GSV  
PCB design: CAB, GSV

sheet #: 1 of 3  
sheet description: Power  
date last modified: March 31, 2017