

E

D

C

B

A

6

5

4

3

2

1

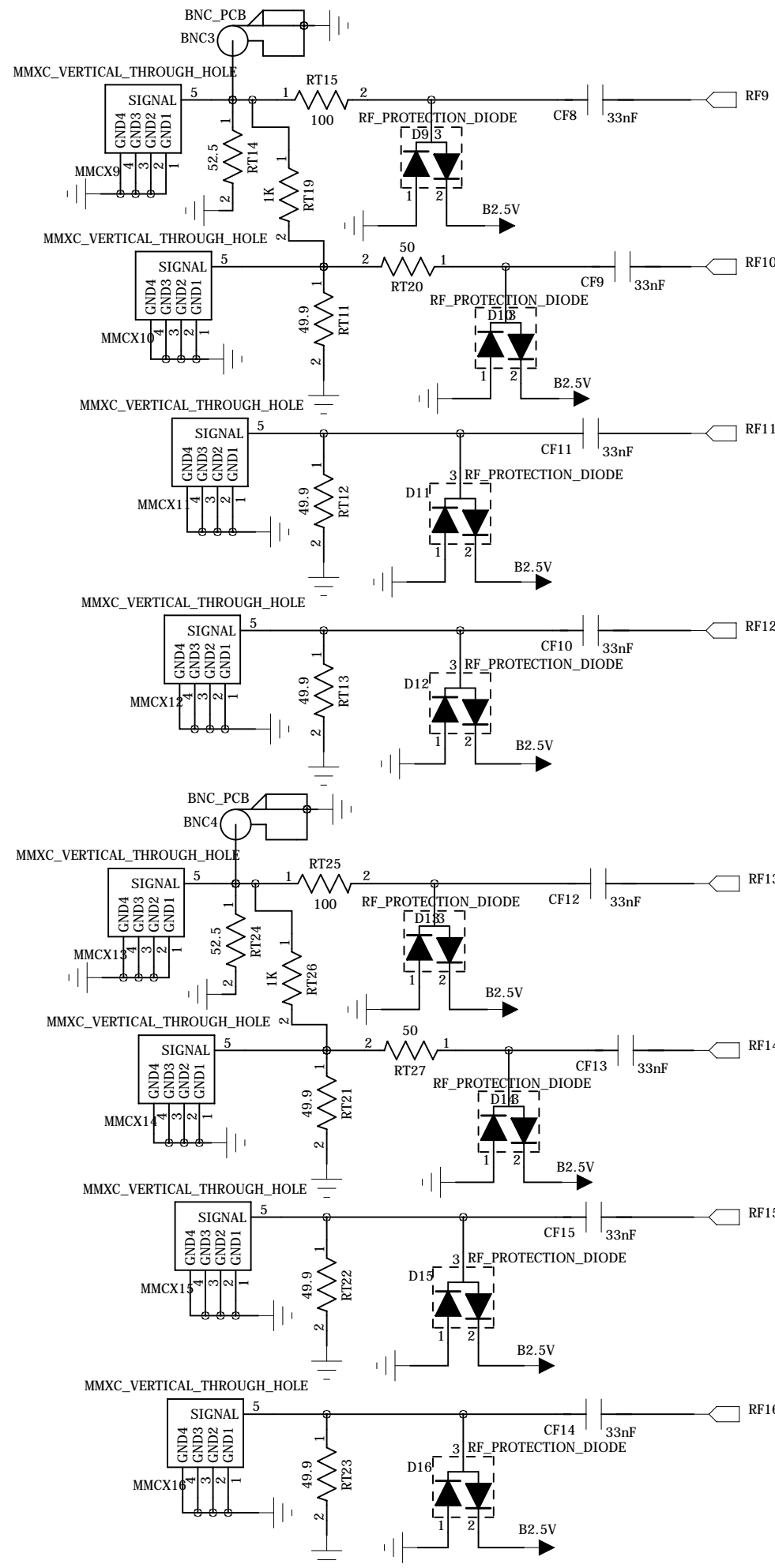
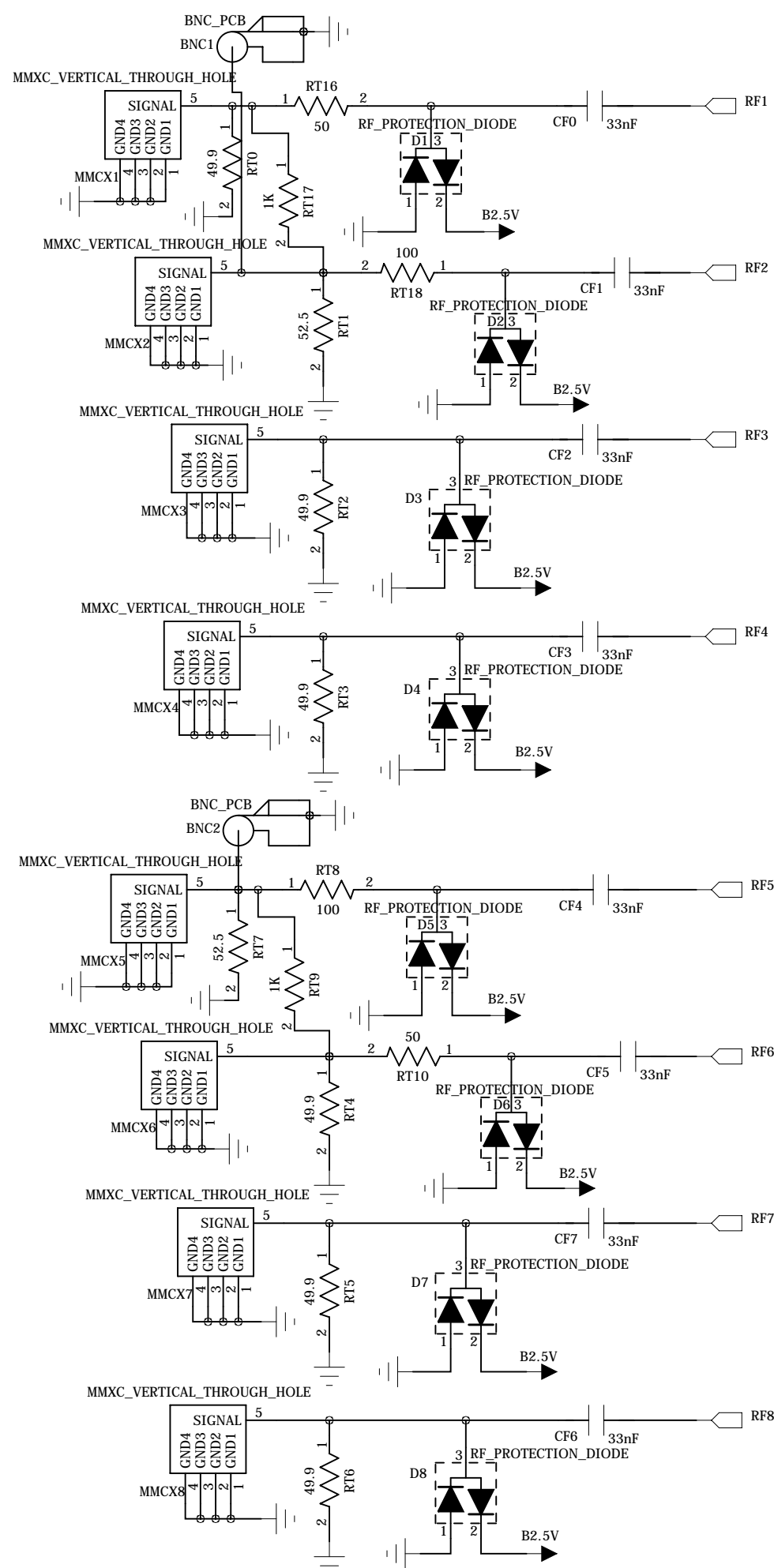
E

D

C

B

A



institution:	University of Hawaii at Manoa High Energy Physics Lab Instrumentation Development Lab
title:	TARGETX FMC
revision:	A
IDLAB design #:	IDL_15_034
circuit design:	JLB, GSV, XS
PCB design:	JLB, GSV
sheet #:	1 of 3
sheet description:	Connectors
date last modified:	Sept 7, 2015

E

D

C

B

A

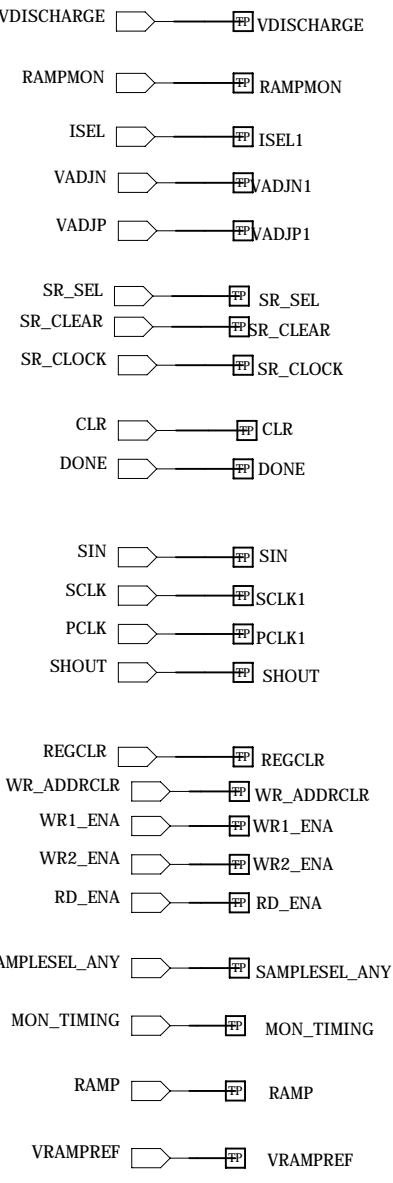
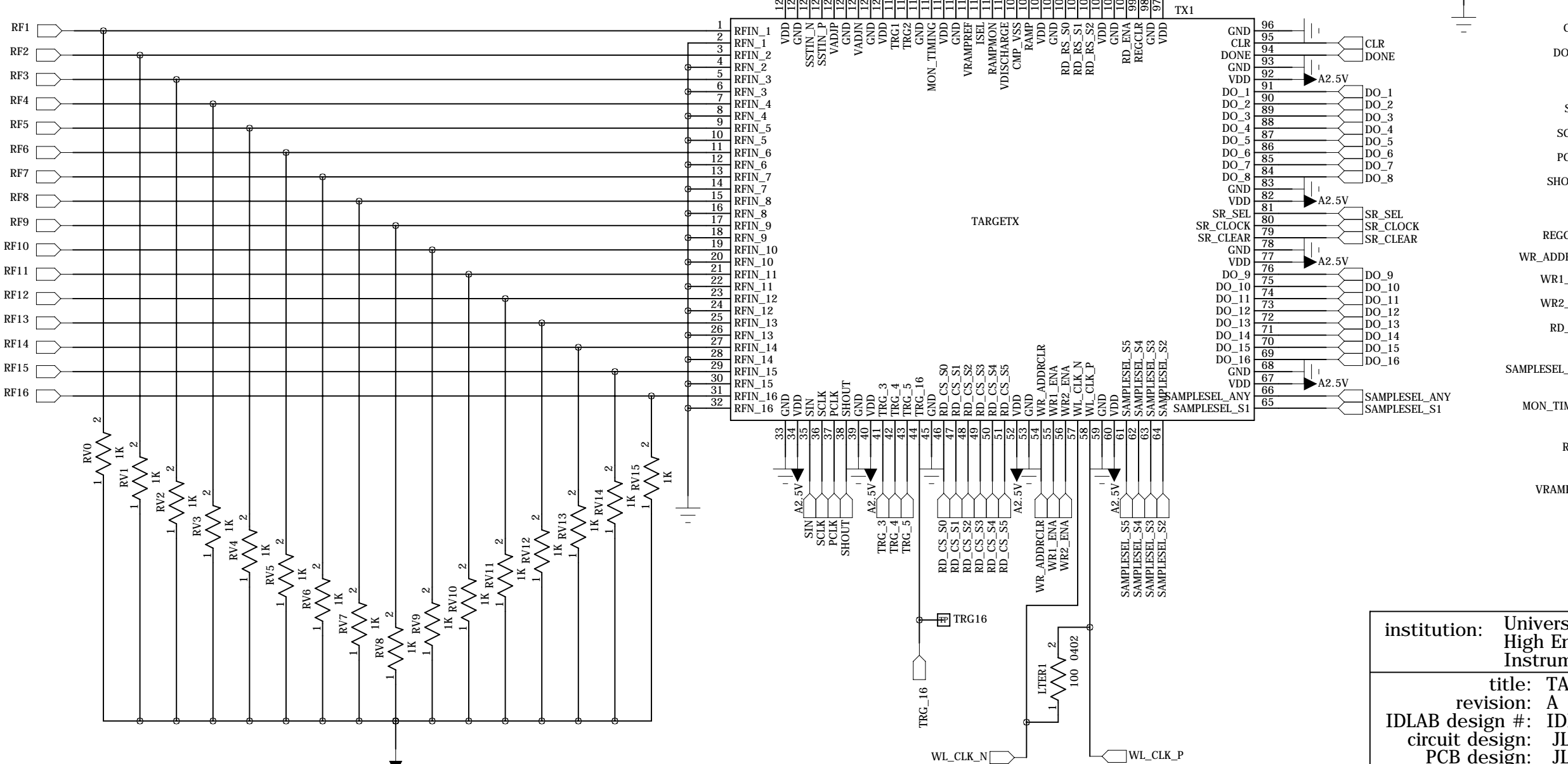
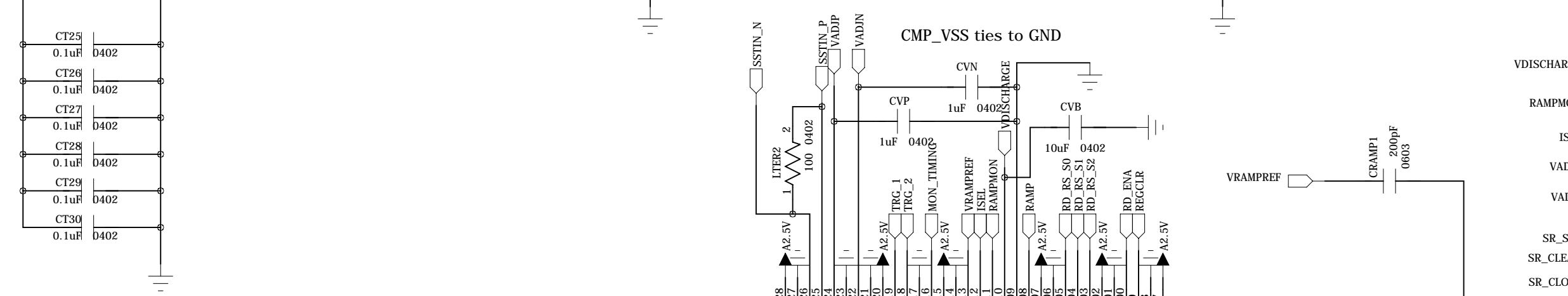
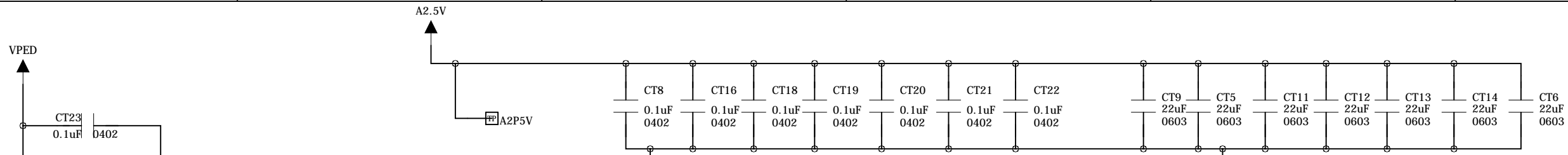
E

D

C

B

A



institution: University of Hawaii at Manoa
 High Energy Physics Lab
 Instrumentation Development Lab

title: TARGETX FMC
 revision: A
 IDLAB design #: IDL_15_034
 circuit design: JLB, GSV, XS
 PCB design: JLB, GSV

sheet #: 2 of 3
 sheet description: ASIC_TARGETX
 date last modified: Sept 7, 2015

6

5

4

3

2

1

E

E

D

D

C

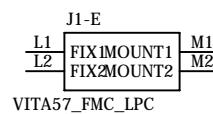
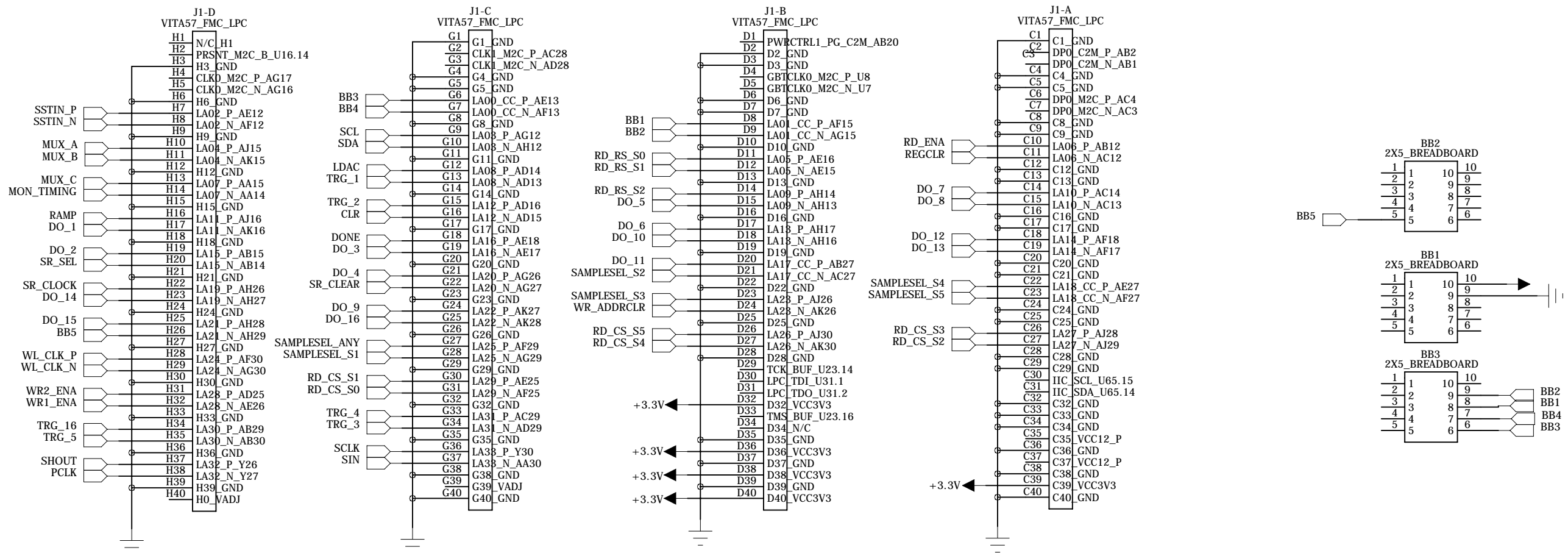
C

B

B

A

A



institution:	University of Hawaii at Manoa High Energy Physics Lab Instrumentation Development Lab
title:	TARGETX FMC
revision:	A
IDLAB design #:	IDL_15_034
circuit design:	JLB, GSV, XS
PCB design:	JLB, GSV
sheet #:	3 of 3
sheet description:	FMC LPC Connector
date last modified:	Sept 7, 2015

6

5

4

3

2

1

E

E

D

D

C

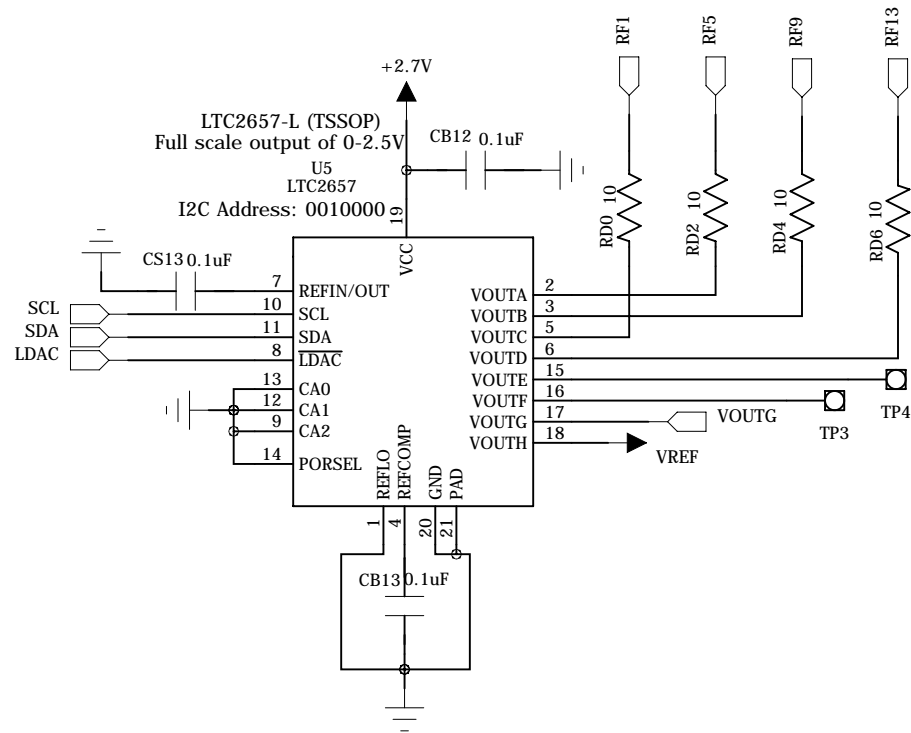
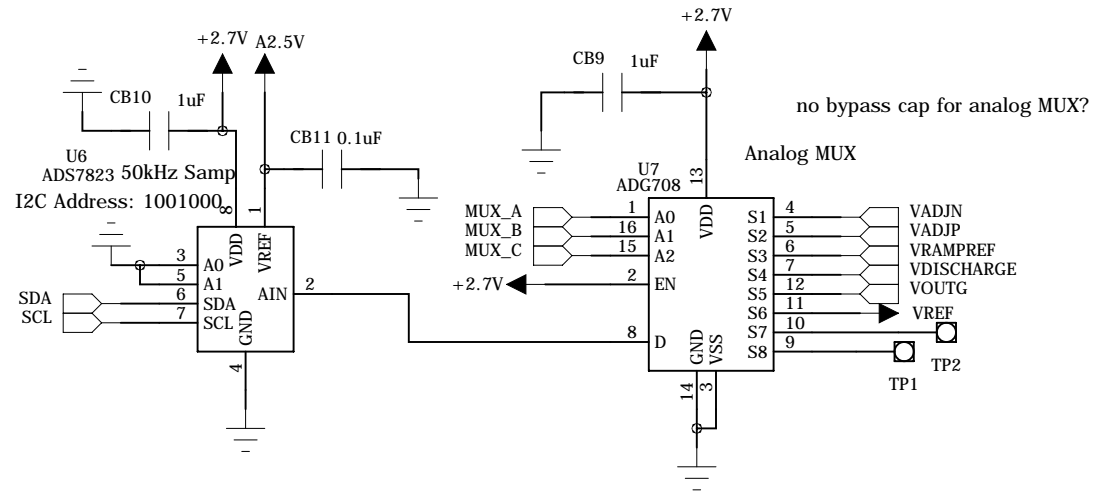
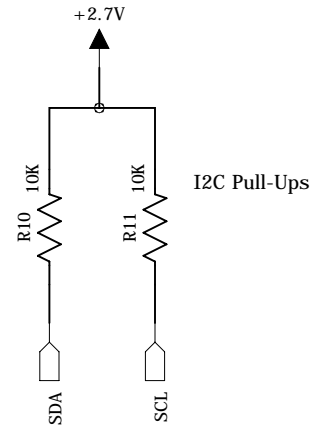
C

B

B

A

A



institution:	University of Hawaii at Manoa High Energy Physics Lab Instrumentation Development Lab
title:	TARGETX FMC
revision:	A
IDLAB design #:	IDL_15_034
circuit design:	JLB, GSV, XS
PCB design:	JLB, GSV
sheet #:	1 of 3
sheet description:	Connectors
date last modified:	Sept 7, 2015

6

5

4

3

2

1

E

E

D

D

C

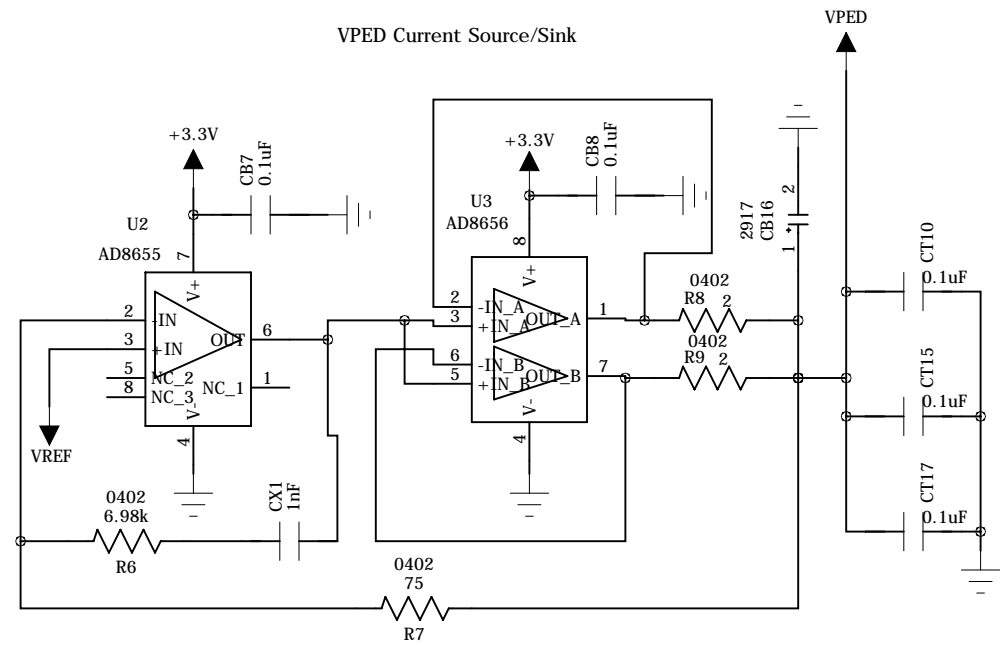
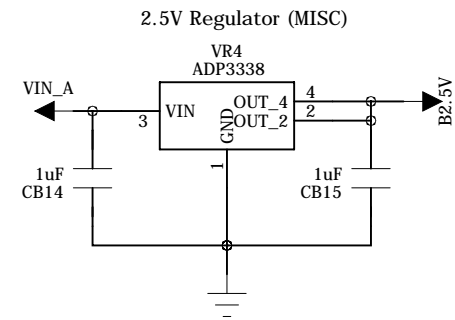
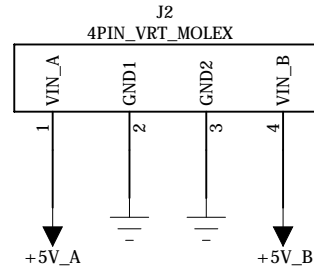
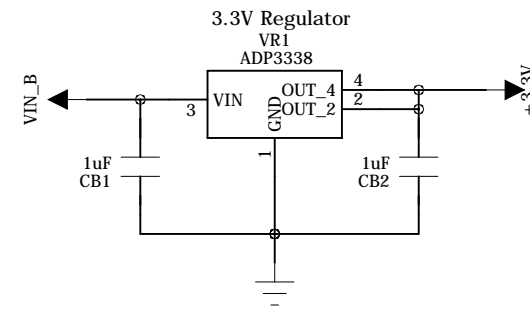
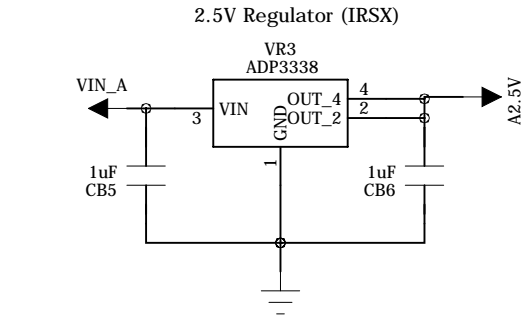
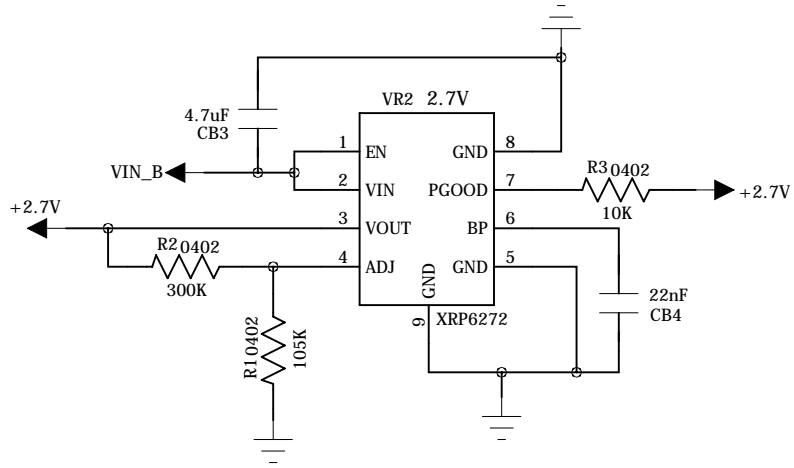
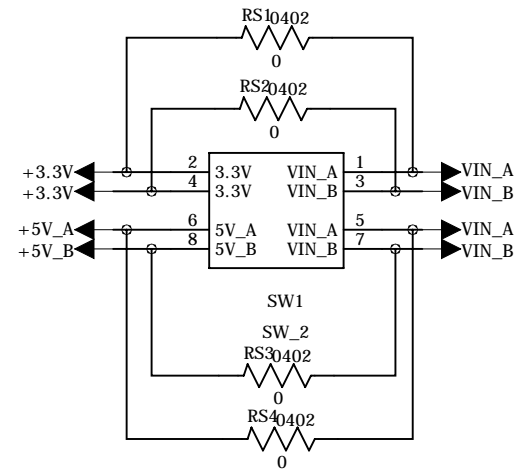
C

B

B

A

A



institution:	University of Hawaii at Manoa High Energy Physics Lab Instrumentation Development Lab
title:	TARGETX FMC
revision:	A
IDLAB design #:	IDL_15_034
circuit design:	JLB, GSV, XS
PCB design:	JLB, GSV
sheet #:	1 of 3
sheet description:	Connectors
date last modified:	Sept 7, 2015