

6

5

4

3

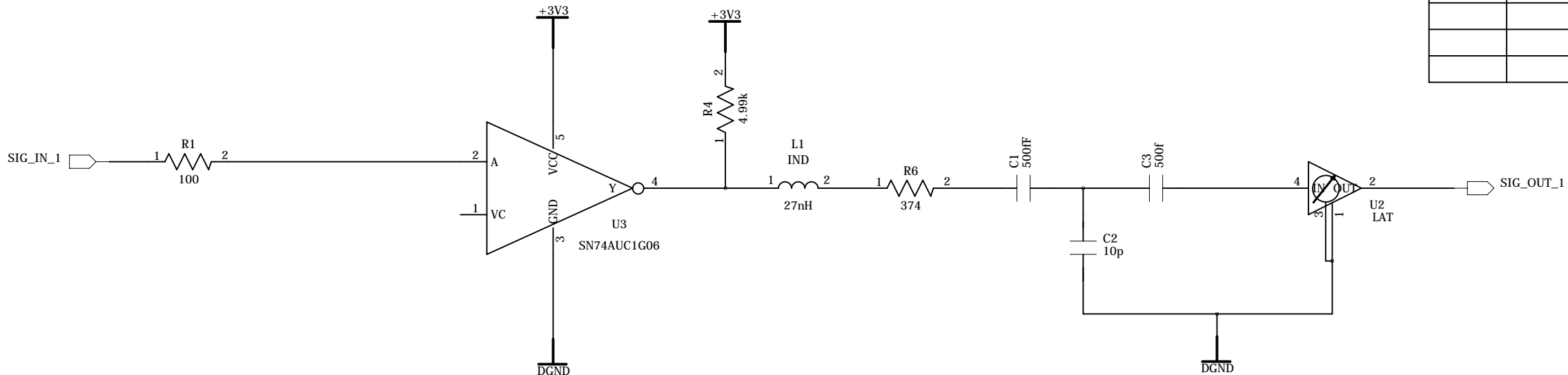
2

1

REVISION RECORD			
LTR	ECO NO:	APPROVED:	DATE:

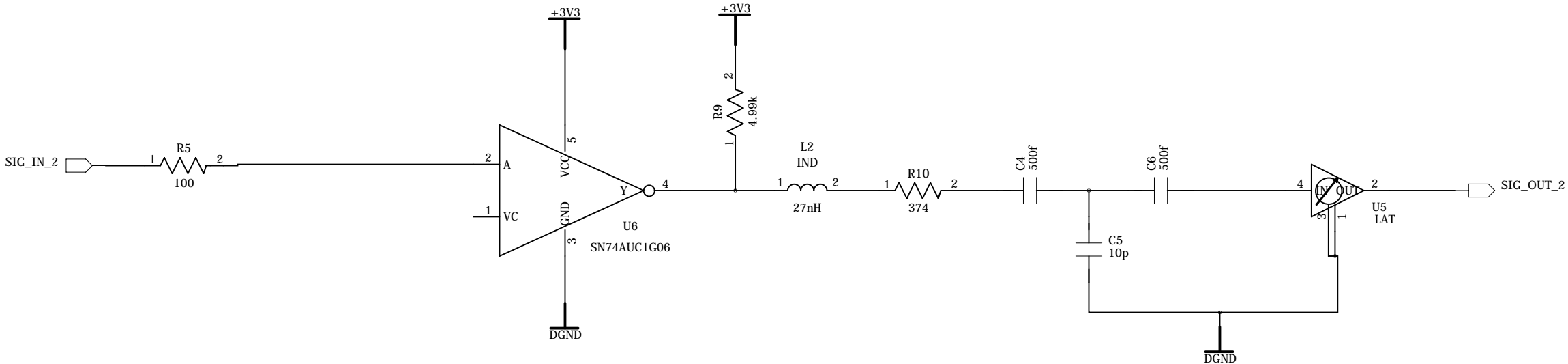
D

D



C

C



B

B

A

A

COMPANY: University of Hawaii

TITLE: Pulser Test

DRAWN: Ziru	DATED: Nov23,2014
CHECKED: <Checked By>	DATED: <Checked Date>
QUALITY CONTROL: <QC By>	DATED: <QC Date>
RELEASED: <Released By>	DATED: <Release Date>

CODE: <Code>	SIZE: B	DRAWING NO: <Drawing Number>	REV: 1.0
-----------------	------------	---------------------------------	-------------

SCALE: <Scale> SHEET: 1 of 19

6

5

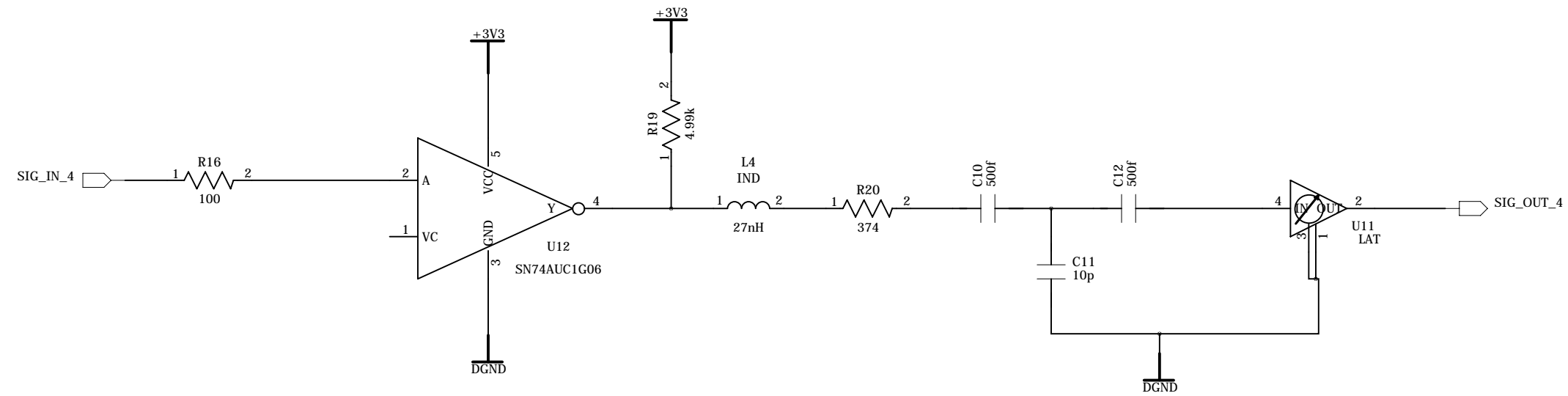
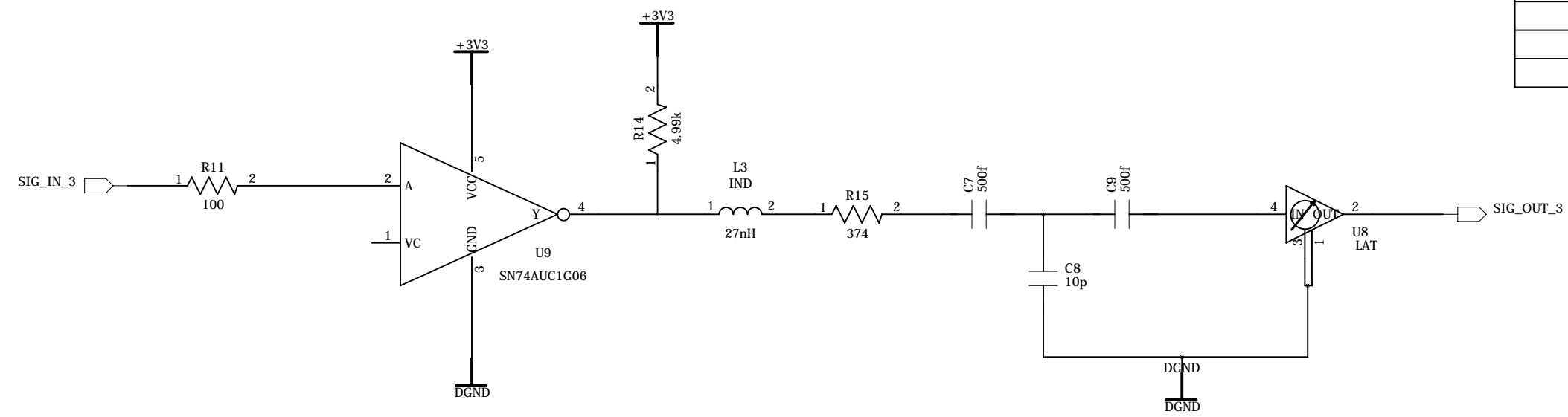
4

3

2

1

REVISION RECORD			
LTR	ECO NO:	APPROVED:	DATE:



COMPANY: University of Hawaii

TITLE: Pulser Test

DRAWN: Ziru	DATED: Nov23,2014
CHECKED: <Checked By>	DATED: <Checked Date>
QUALITY CONTROL: <QC By>	DATED: <QC Date>
RELEASED: <Released By>	DATED: <Release Date>

CODE: <Code>	SIZE: B	DRAWING NO: <Drawing Number>	REV: 1.0
SCALE: <Scale>			SHEET: 2 of 19

D

D

C

C

B

B

A

A

6

5

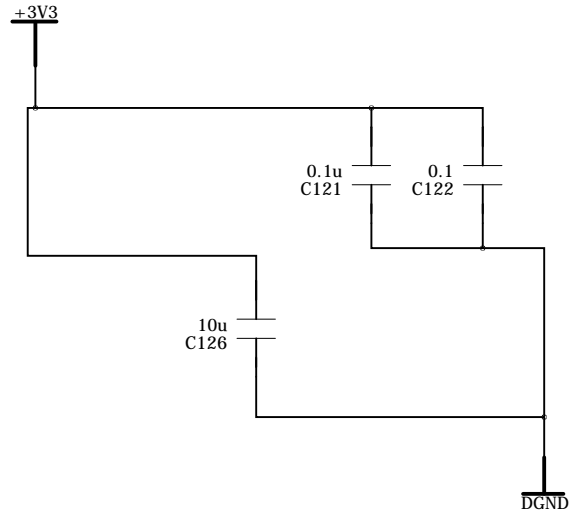
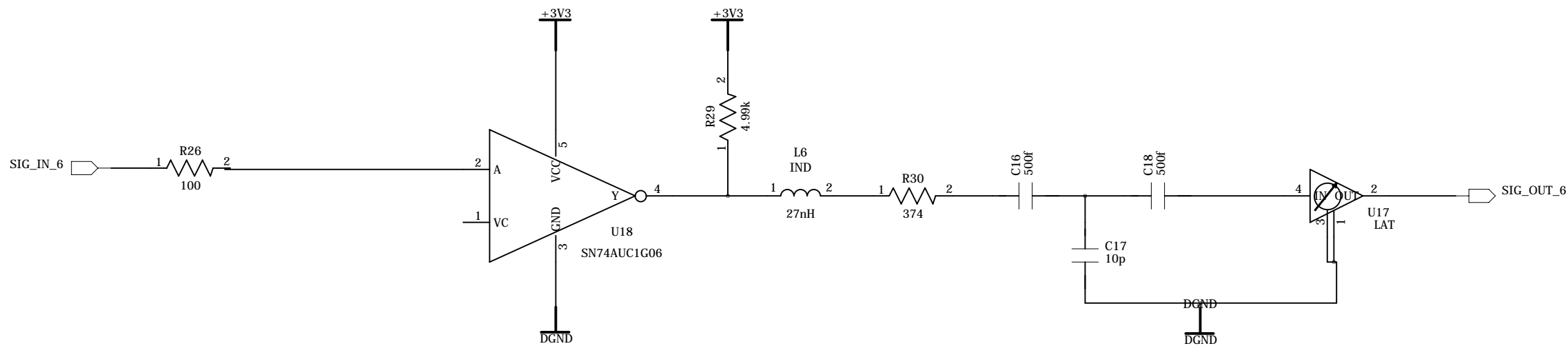
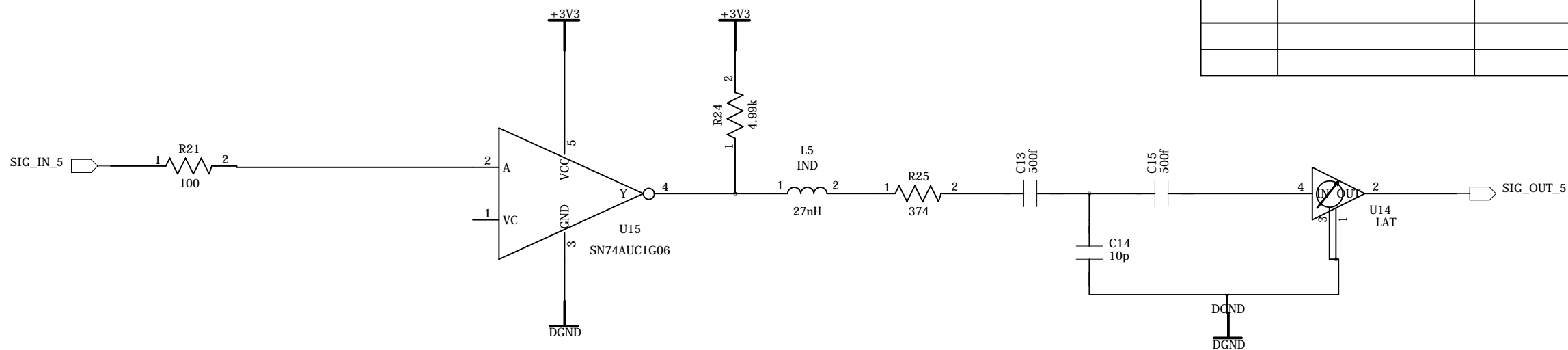
4

3

2

1

REVISION RECORD			
LTR	ECO NO:	APPROVED:	DATE:



COMPANY: University of Hawaii

TITLE: Pulser Test

DRAWN: Ziru	DATED: Nov23,2014
CHECKED: <Checked By>	DATED: <Checked Date>
QUALITY CONTROL: <QC By>	DATED: <QC Date>
RELEASED: <Released By>	DATED: <Release Date>

CODE: <Code>	SIZE: B	DRAWING NO: <Drawing Number>	REV: 1.0
SCALE: <Scale>			SHEET: 3of 19

D

D

C

C

B

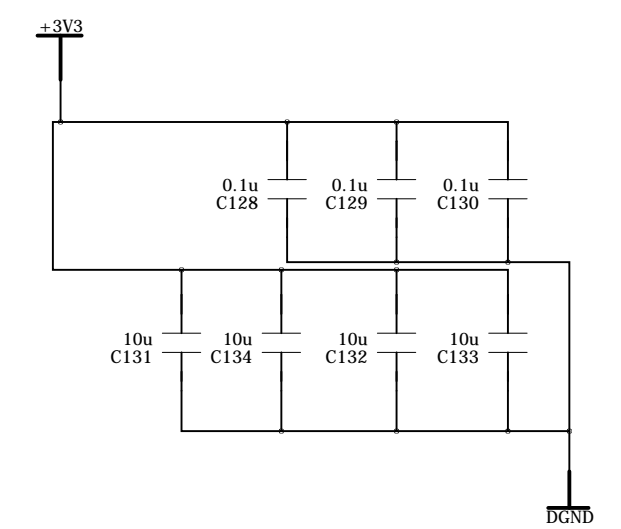
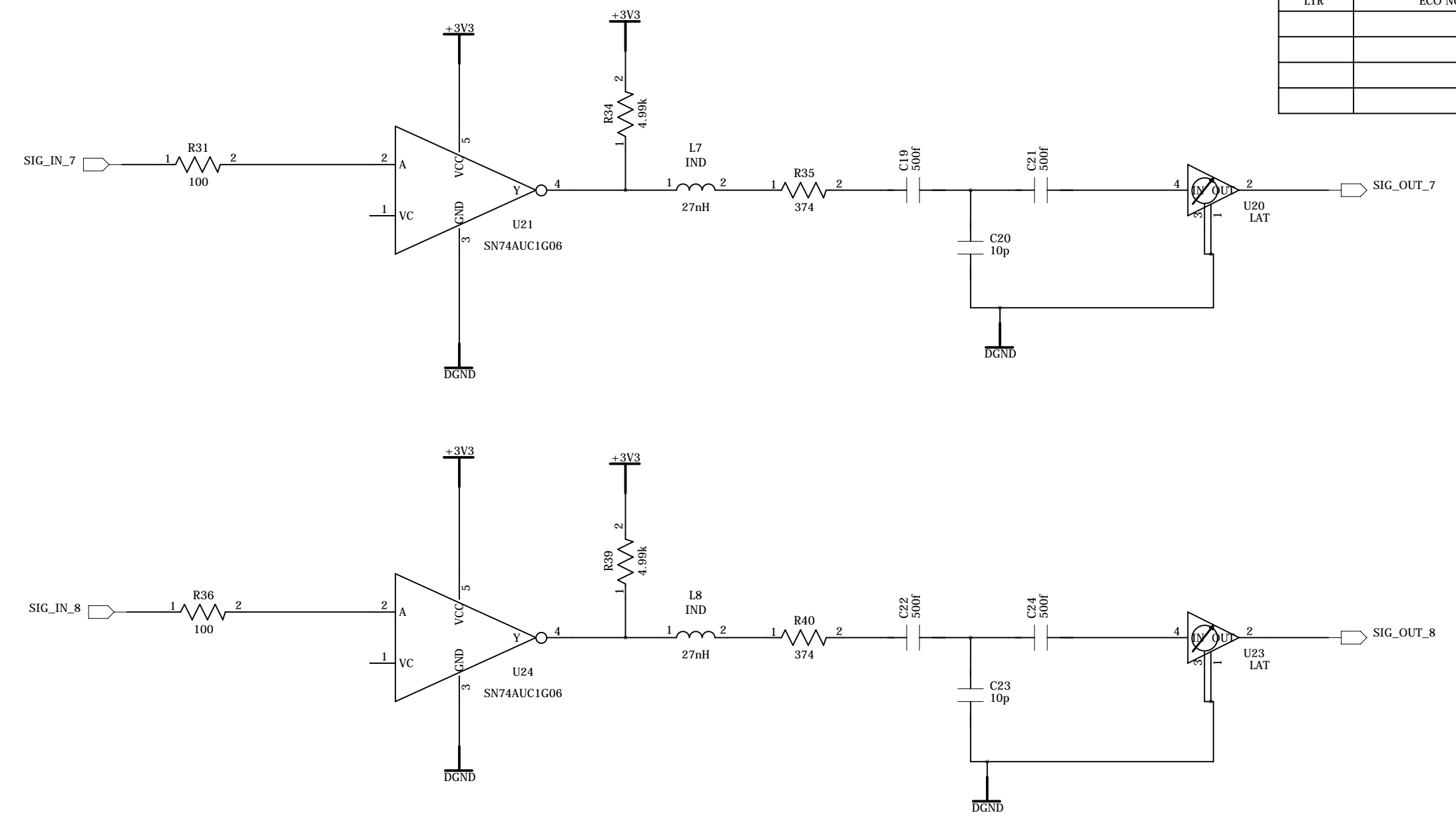
B

A

A

6 5 4 3 2 1

REVISION RECORD			
LTR	ECO NO:	APPROVED:	DATE:



COMPANY:				University of Hawaii			
TITLE:				Pulser Test			
DRAWN:	Ziru	DATED:	Nov23,2014	CODE:	SIZE:	DRAWING NO:	REV:
CHECKED:	<Checked By>	DATED:	<Checked Date>	<Code>	B	<Drawing Number>	1.0
QUALITY CONTROL:	<QC By>	DATED:	<QC Date>	SCALE: <Scale>			
RELEASED:	<Released By>	DATED:	<Release Date>	SHEET: 4 of 19			

D

C

B

A

D

C

B

A

6

5

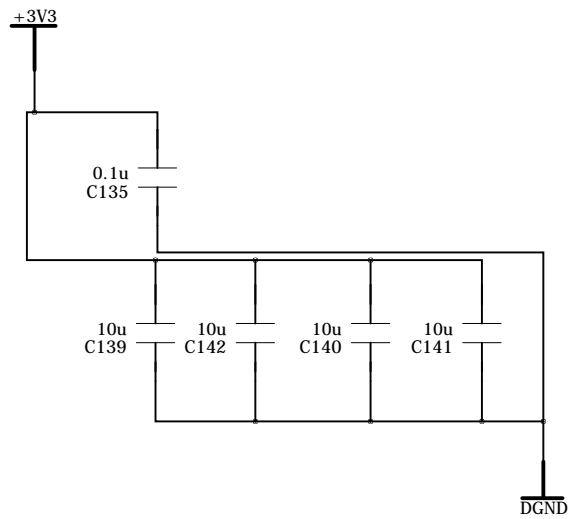
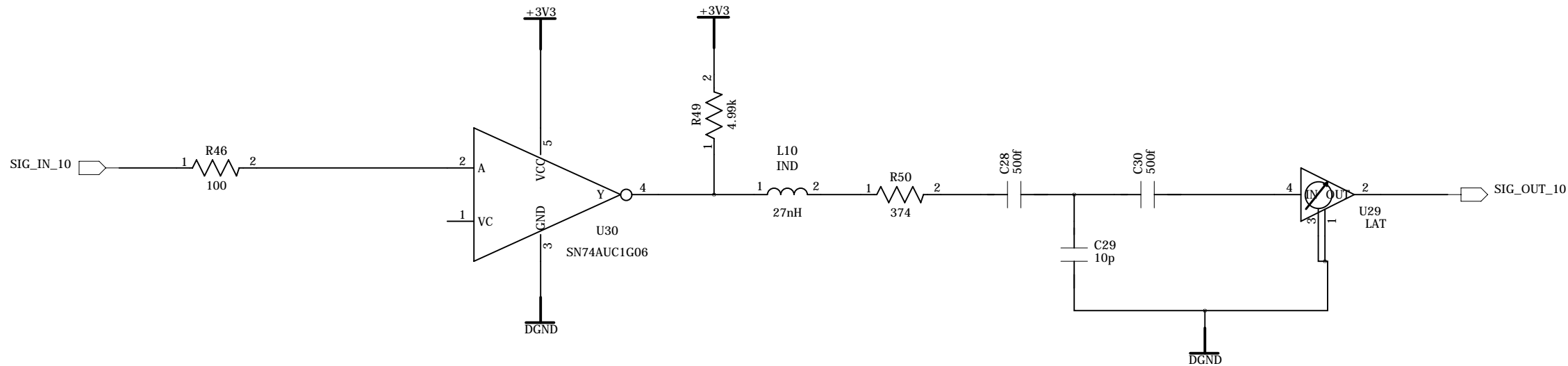
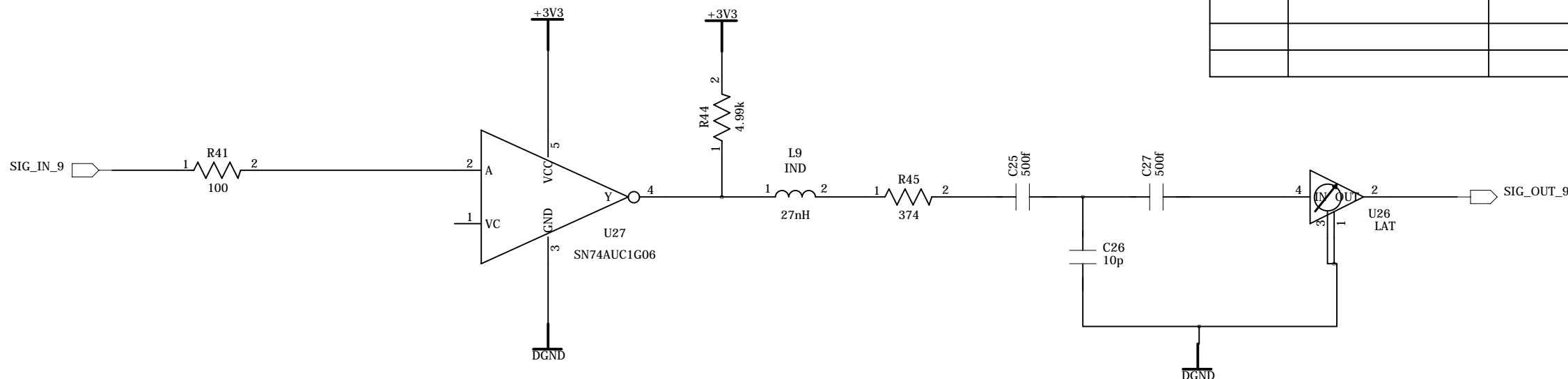
4

3

2

1

REVISION RECORD			
LTR	ECO NO:	APPROVED:	DATE:



COMPANY: University of Hawaii

TITLE: Pulser Test

DRAWN: Ziru	DATED: Nov23,2014
CHECKED: <Checked By>	DATED: <Checked Date>
QUALITY CONTROL: <QC By>	DATED: <QC Date>
RELEASED: <Released By>	DATED: <Release Date>

CODE: <Code>	SIZE: B	DRAWING NO: <Drawing Number>	REV: 1.0
SCALE: <Scale>			SHEET: 5 OF 19

D

D

C

C

B

B

A

A

6

5

4

3

2

1

REVISION RECORD			
LTR	ECO NO:	APPROVED:	DATE:

D

D

C

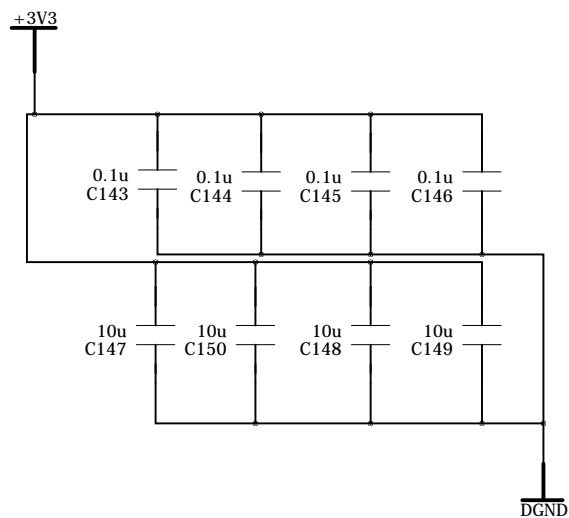
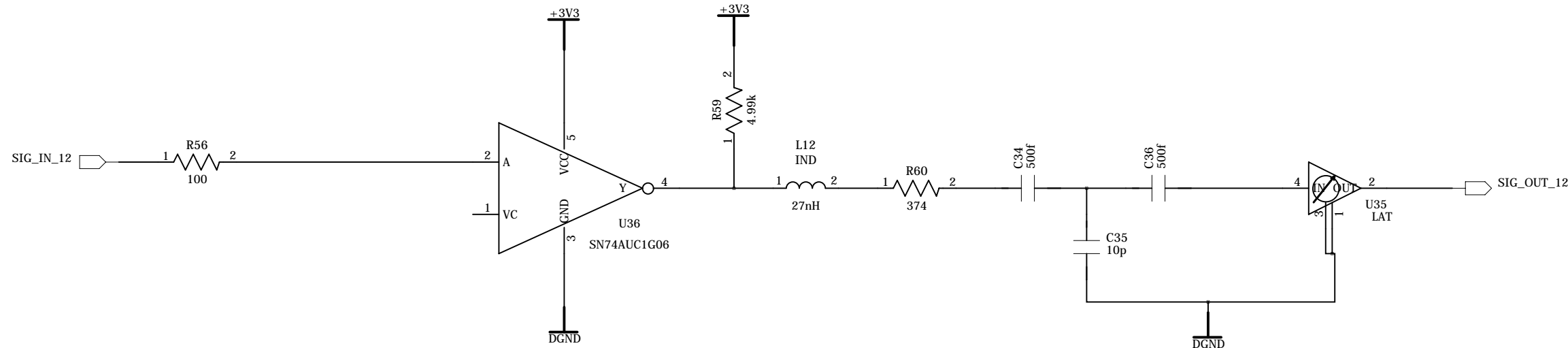
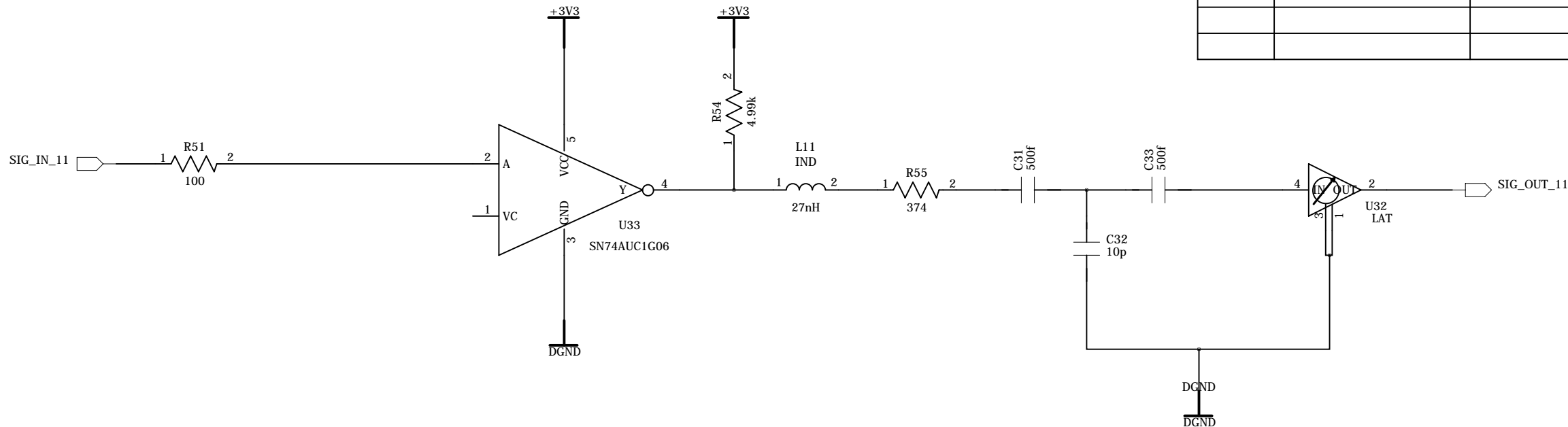
C

B

B

A

A



COMPANY:				University of Hawaii							
TITLE:				Pulser Test							
DRAWN: Ziru		DATED: Nov23,2014		CODE:		SIZE:		DRAWING NO:		REV:	
CHECKED: <Checked By>		DATED: <Checked Date>		<Code>		B <Drawing Number>		1.0		SCALE: <Scale>	
QUALITY CONTROL: <QC By>		DATED: <QC Date>									
RELEASED: <Released By>		DATED: <Release Date>		SHEET: 6		OF 19					

6

5

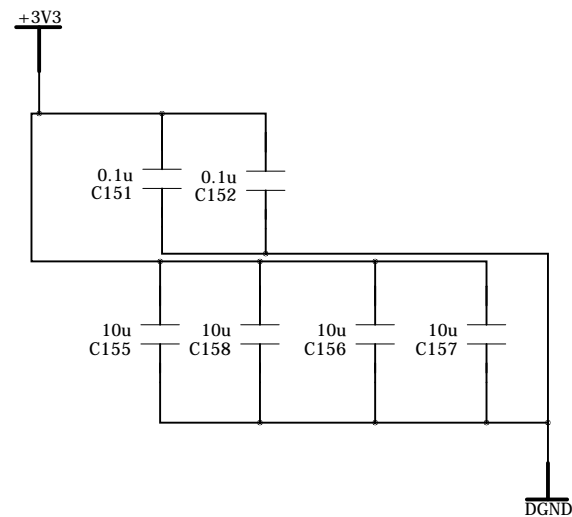
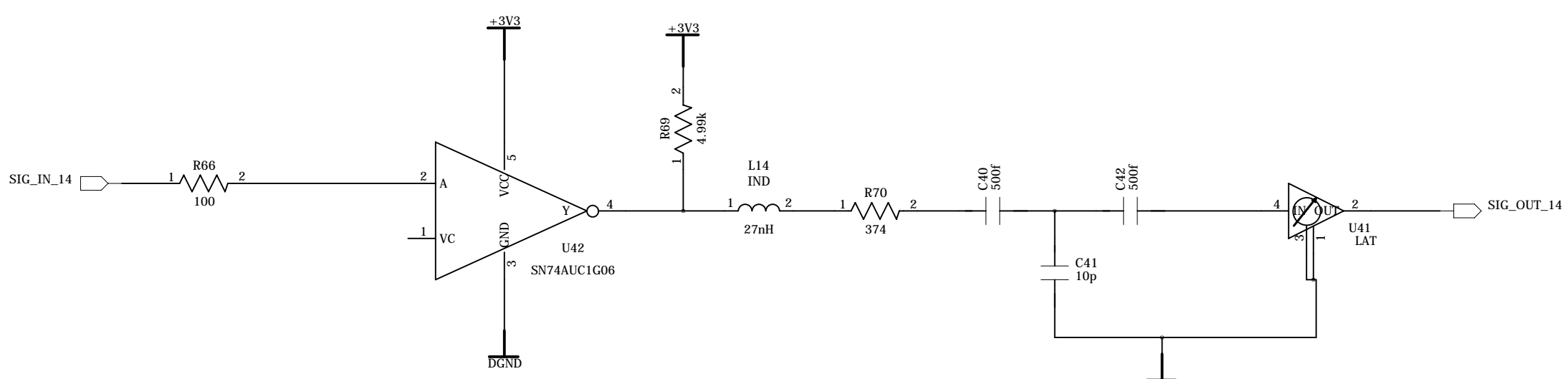
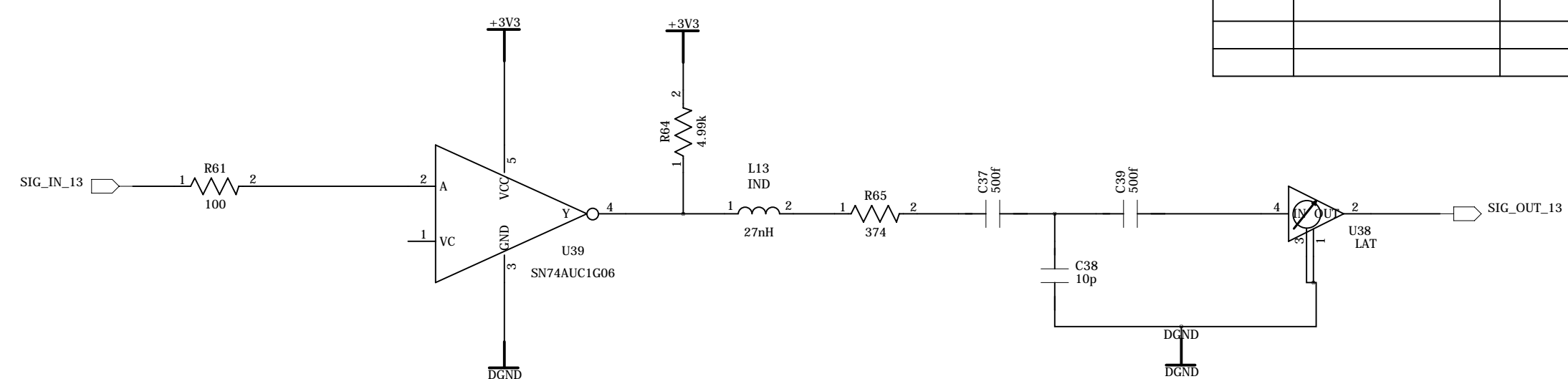
4

3

2

1

REVISION RECORD			
LTR	ECO NO:	APPROVED:	DATE:



COMPANY:				University of Hawaii							
TITLE:								Pulser Test			
DRAWN:		DATED:		CODE:		SIZE:		DRAWING NO:		REV:	
Ziru		Nov23,2014		<Code>		B <Drawing Number>				1.0	
CHECKED:		DATED:		SCALE: <Scale>		SHEET: 7		OF 19			
<Checked By>		<Checked Date>									
QUALITY CONTROL:		DATED:									
<QC By>		<QC Date>									
RELEASED:		DATED:									
<Released By>		<Release Date>									

D

D

C

C

B

B

A

A

6

5

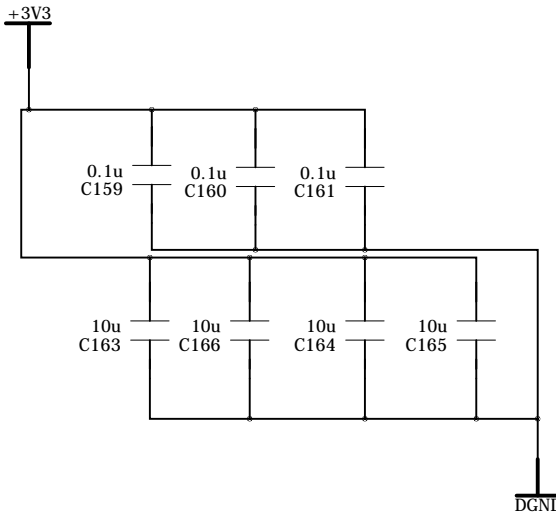
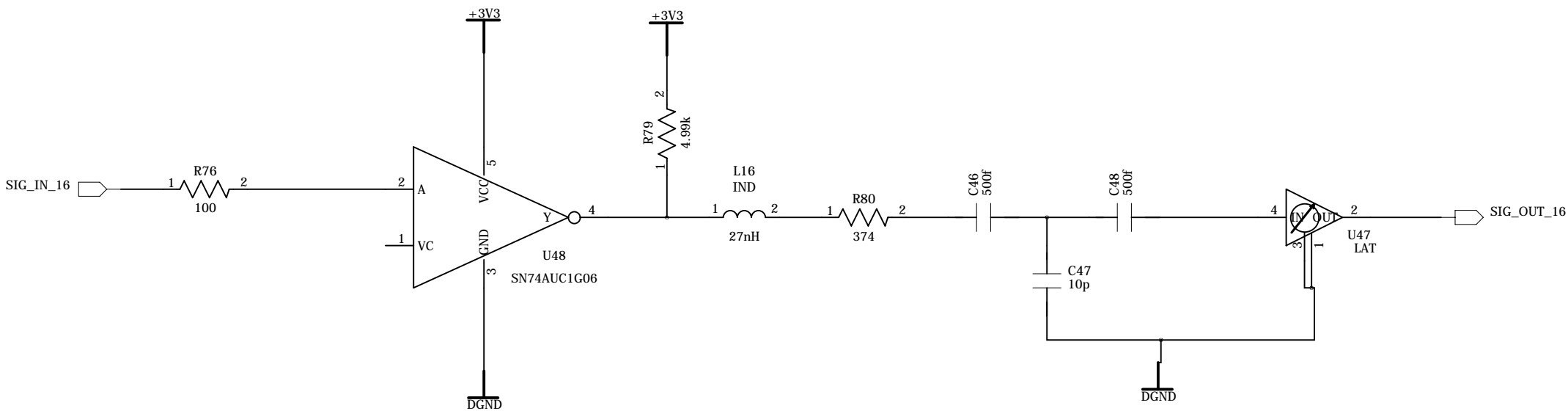
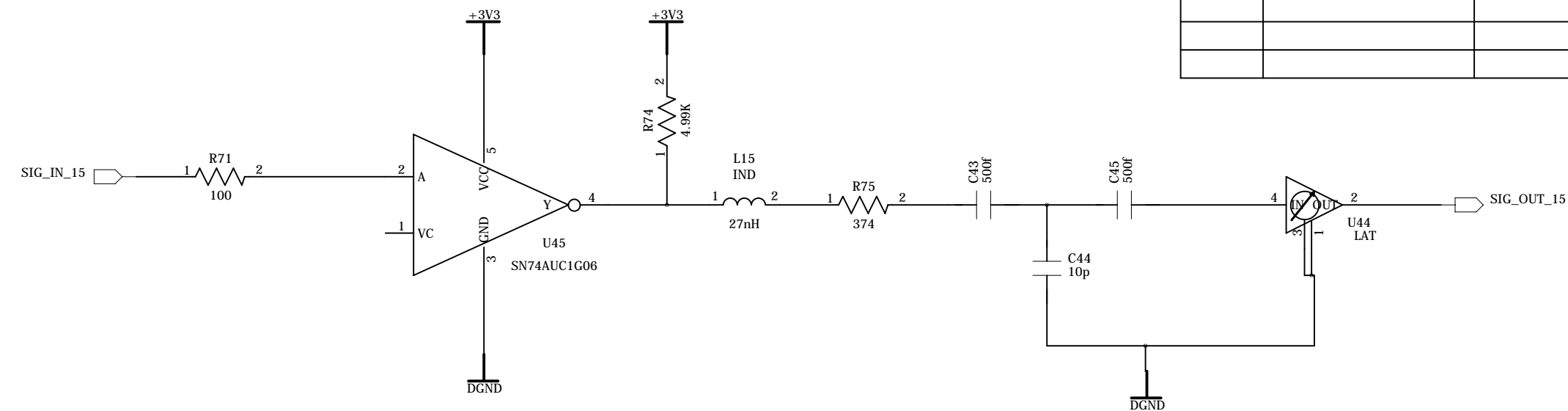
4

3

2

1

REVISION RECORD			
LTR	ECO NO:	APPROVED:	DATE:



COMPANY:				University of Hawaii			
TITLE:				Pulser Test			
DRAWN:	Ziru	DATED:	Nov23,2014	CODE:	SIZE:	DRAWING NO:	REV:
CHECKED:	<Checked By>	DATED:	<Checked Date>	<Code>	B	<Drawing Number>	1.0
QUALITY CONTROL:	<QC By>	DATED:	<QC Date>	SCALE: <Scale>		SHEET: 8 OF 19	
RELEASED:	<Released By>	DATED:	<Release Date>				

D

C

B

A

D

C

B

A



6

5

4

3

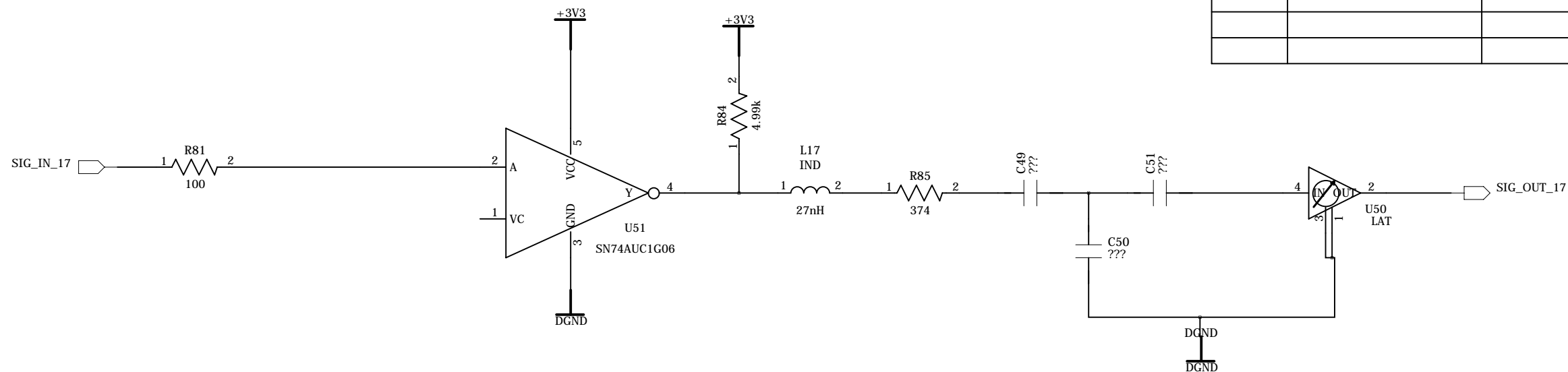
2

1

REVISION RECORD			
LTR	ECO NO:	APPROVED:	DATE:

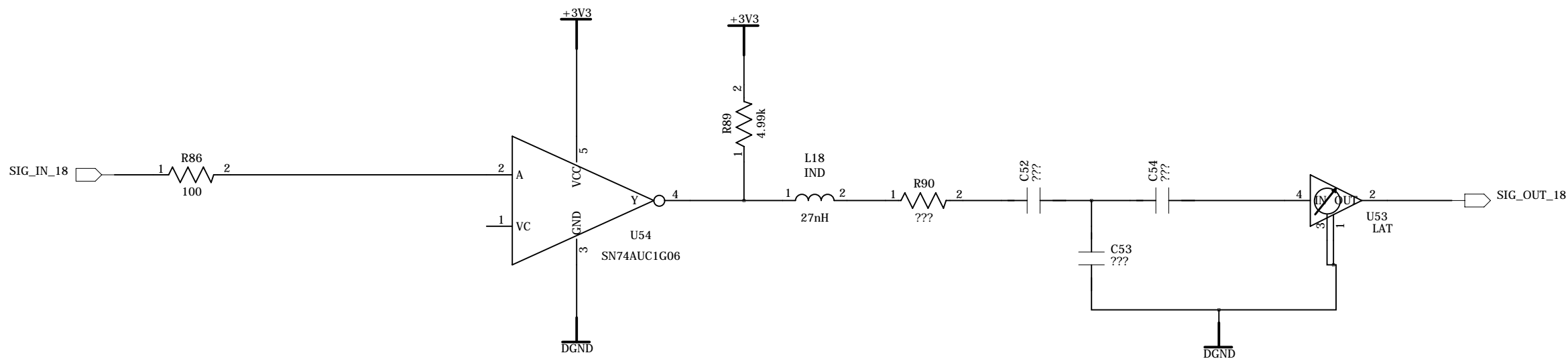
D

D



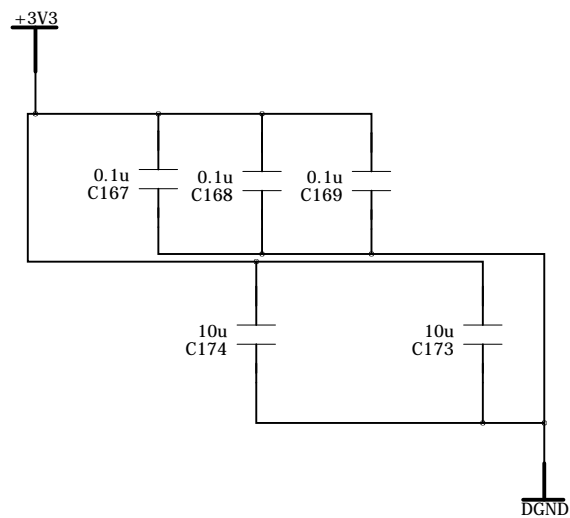
C

C



B

B



A

A

COMPANY:				University of Hawaii			
TITLE:				Pulser Test			
DRAWN:	Ziru	DATED:	Nov23,2014	CODE:	SIZE:	DRAWING NO:	REV:
CHECKED:	<Checked By>	DATED:	<Checked Date>	<Code>	B	<Drawing Number>	1.0
QUALITY CONTROL:	<QC By>	DATED:	<QC Date>	SCALE: <Scale>		SHEET: 9 of 19	
RELEASED:	<Released By>	DATED:	<Release Date>				

6

5

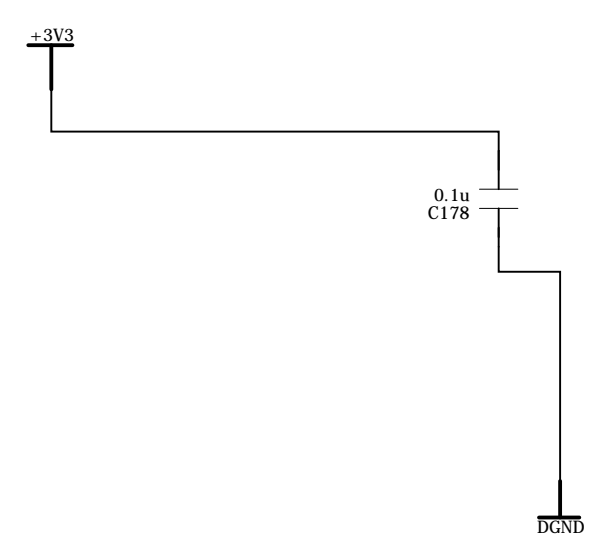
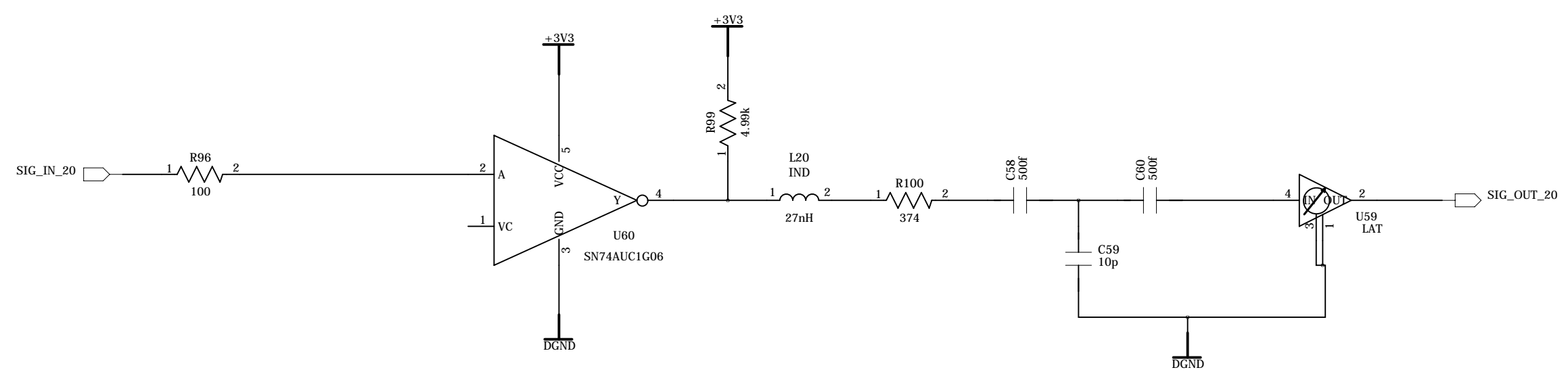
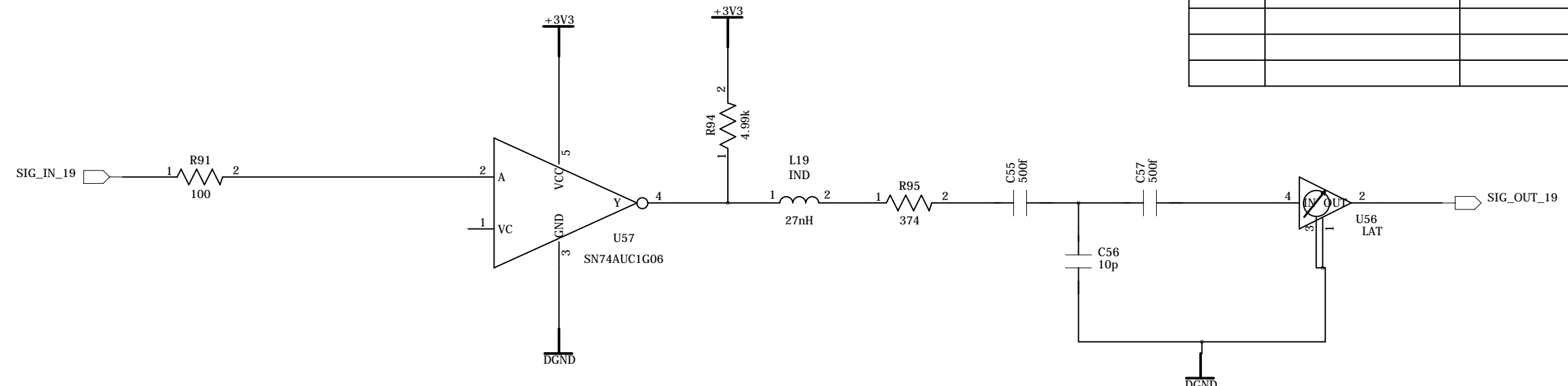
4

3

2

1

REVISION RECORD			
LTR	ECO NO:	APPROVED:	DATE:



COMPANY:				University of Hawaii							
TITLE:				Pulser Test							
DRAWN: Ziru		DATED: Nov23,2014		CODE:		SIZE:		DRAWING NO:		REV:	
CHECKED: <Checked By>		DATED: <Checked Date>		<Code>		B <Drawing Number>		1.0		SHEET: 10 19	
QUALITY CONTROL: <QC By>		DATED: <QC Date>									
RELEASED: <Released By>		DATED: <Release Date>		SCALE: <Scale>							

D

C

B

A

D

C

B

A

6

5

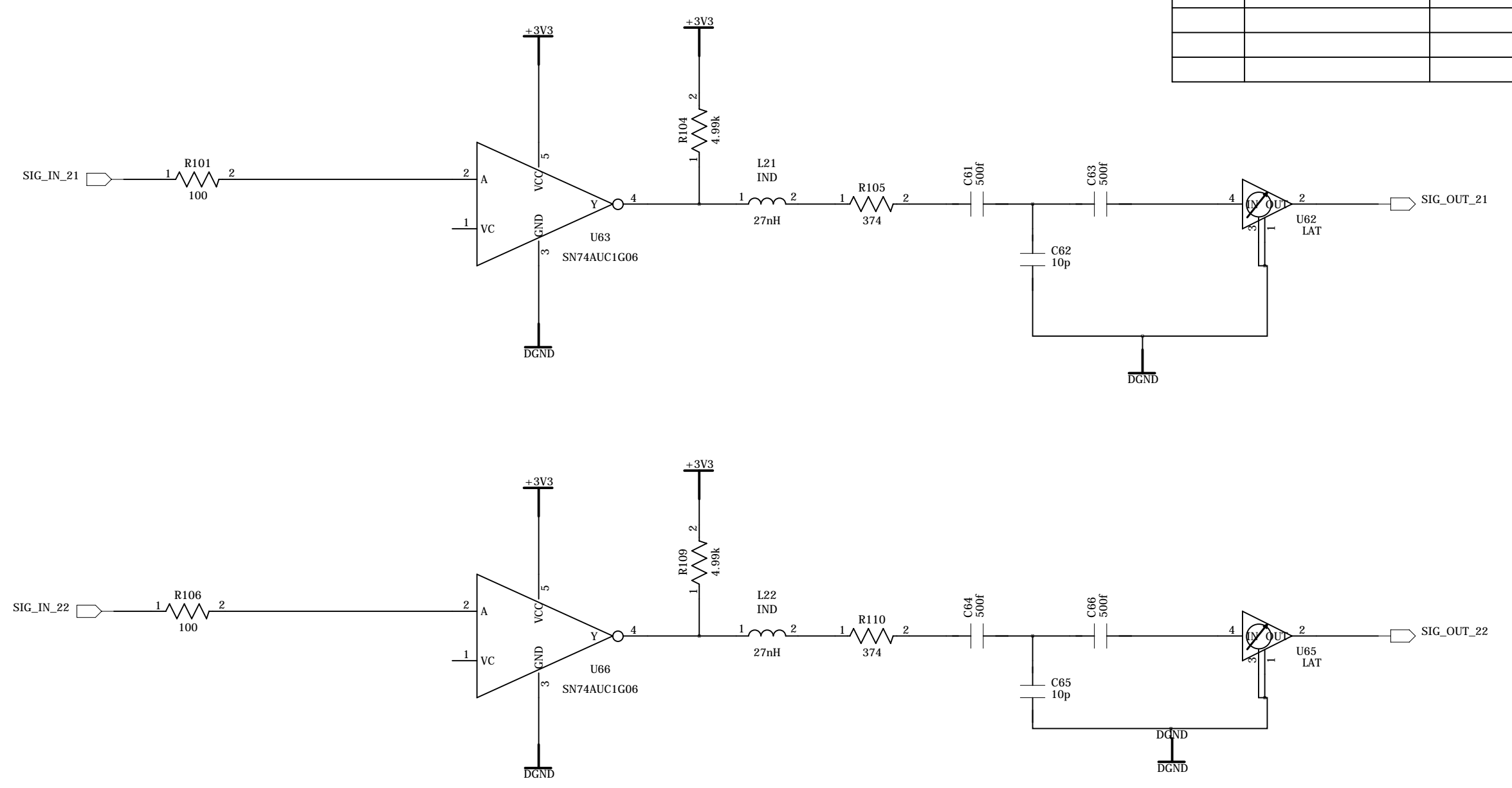
4

3

2

1

REVISION RECORD			
LTR	ECO NO:	APPROVED:	DATE:



COMPANY: University of Hawaii

TITLE: Pulser Test

DRAWN: Ziru	DATED: Nov23,2014
CHECKED: <Checked By>	DATED: <Checked Date>
QUALITY CONTROL: <QC By>	DATED: <QC Date>
RELEASED: <Released By>	DATED: <Release Date>

CODE: <Code>	SIZE: B	DRAWING NO: <Drawing Number>	REV: 1.0
SCALE: <Scale>			SHEET: 1 of 19

D

C

B

A

D

C

B

A

6

5

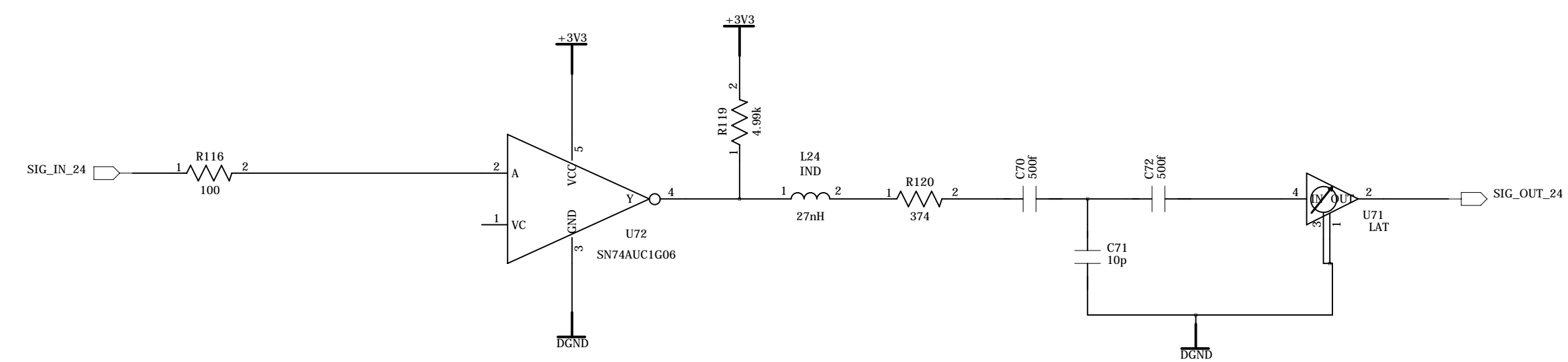
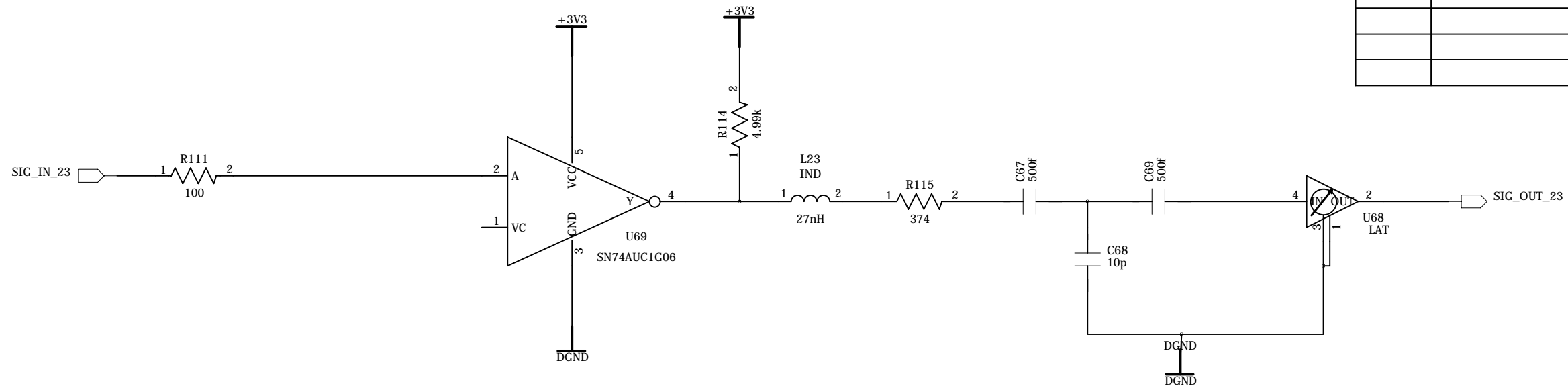
4

3

2

1

REVISION RECORD			
LTR	ECO NO:	APPROVED:	DATE:



COMPANY: University of Hawaii

TITLE: Pulser Test

DRAWN: Ziru	DATED: Nov23,2014
CHECKED: <Checked By>	DATED: <Checked Date>
QUALITY CONTROL: <QC By>	DATED: <QC Date>
RELEASED: <Released By>	DATED: <Release Date>

CODE: <Code>	SIZE: B	DRAWING NO: <Drawing Number>	REV: 1.0
SCALE: <Scale>			SHEET: 18 19

D

D

C

C

B

B

A

A

6

5

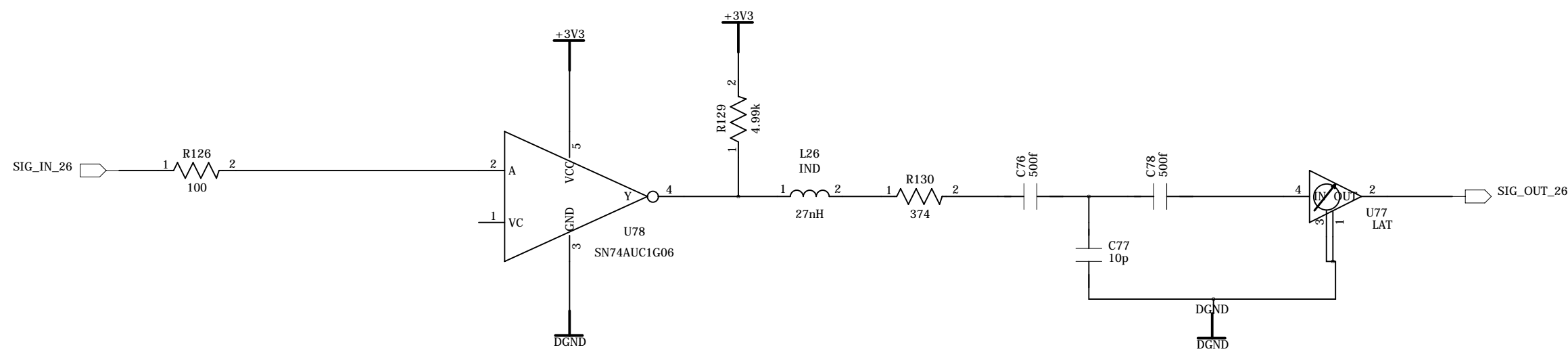
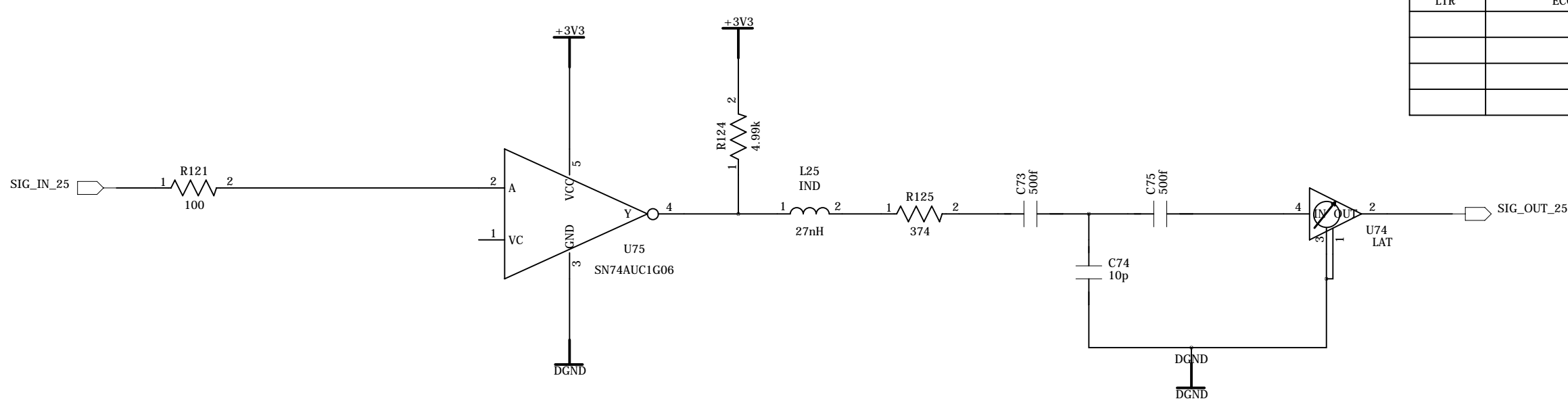
4

3

2

1

REVISION RECORD			
LTR	ECO NO:	APPROVED:	DATE:



COMPANY:				University of Hawaii			
TITLE:				Pulser Test			
DRAWN:	Ziru	DATED:	Nov23,2014	CODE:	SIZE:	DRAWING NO:	REV:
CHECKED:	<Checked By>	DATED:	<Checked Date>	<Code>	B	<Drawing Number>	1.0
QUALITY CONTROL:	<QC By>	DATED:	<QC Date>	SCALE: <Scale>		SHEET: 18 19	
RELEASED:	<Released By>	DATED:	<Release Date>				

D

C

B

A

D

C

B

A

6

5

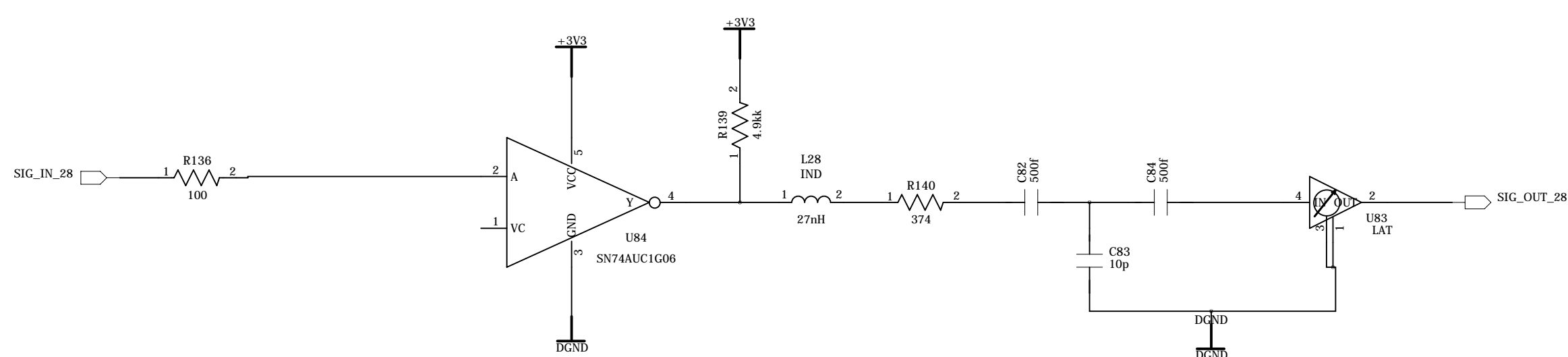
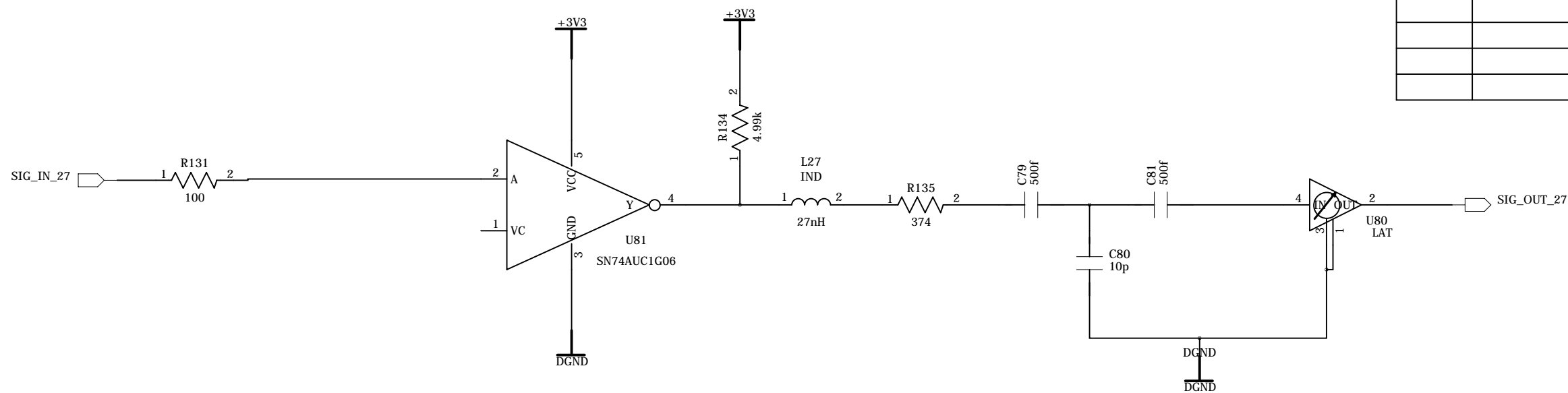
4

3

2

1

REVISION RECORD			
LTR	ECO NO:	APPROVED:	DATE:



COMPANY:				University of Hawaii			
TITLE:				Pulser Test			
DRAWN:	Ziru	DATED:	Nov23,2014	CODE:	SIZE:	DRAWING NO:	REV:
CHECKED:	<Checked By>	DATED:	<Checked Date>	<Code>	B	<Drawing Number>	1.0
QUALITY CONTROL:	<QC By>	DATED:	<QC Date>	SCALE: <Scale>		SHEET: 14 19	
RELEASED:	<Released By>	DATED:	<Release Date>				

D

C

B

A

D

C

B

A

6

5

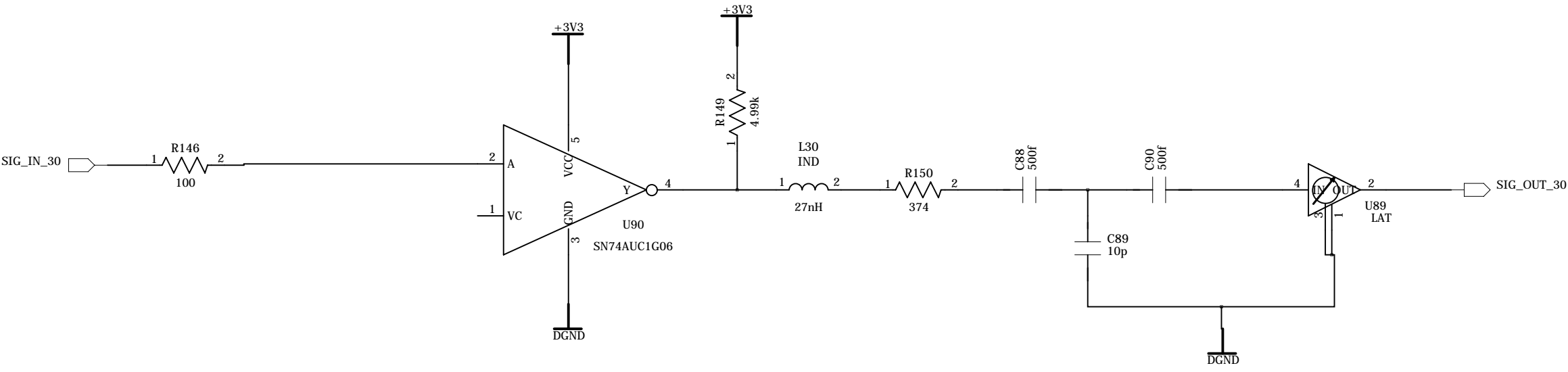
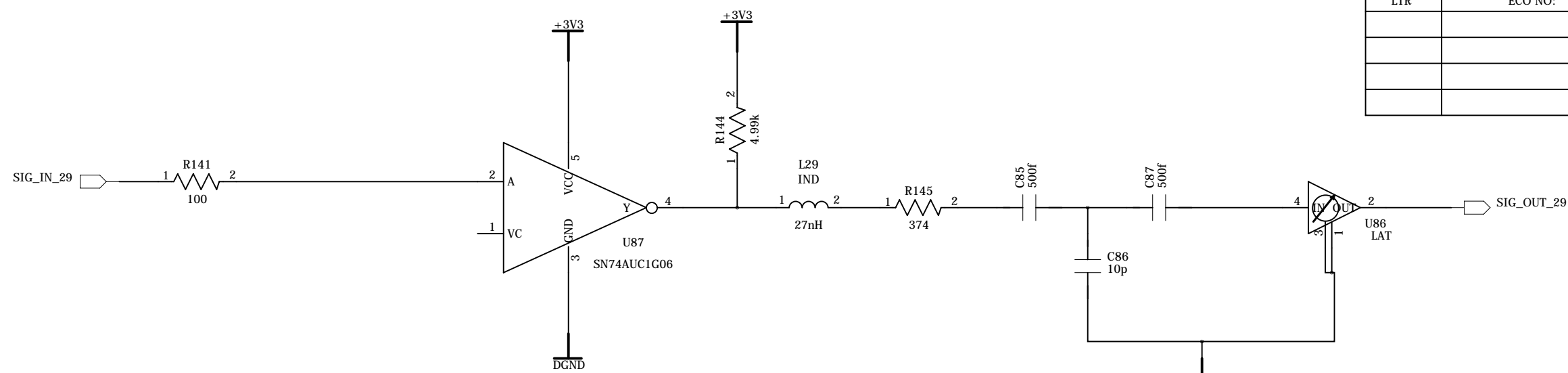
4

3

2

1

REVISION RECORD			
LTR	ECO NO:	APPROVED:	DATE:



COMPANY: University of Hawaii

TITLE: Pulser Test

DRAWN: Ziru	DATED: Nov23,2014
CHECKED: <Checked By>	DATED: <Checked Date>
QUALITY CONTROL: <QC By>	DATED: <QC Date>
RELEASED: <Released By>	DATED: <Release Date>

CODE: <Code>	SIZE: B	DRAWING NO: <Drawing Number>	REV: 1.0
SCALE: <Scale>			SHEET: 15 19

D

D

C

C

B

B

A

A

6

5

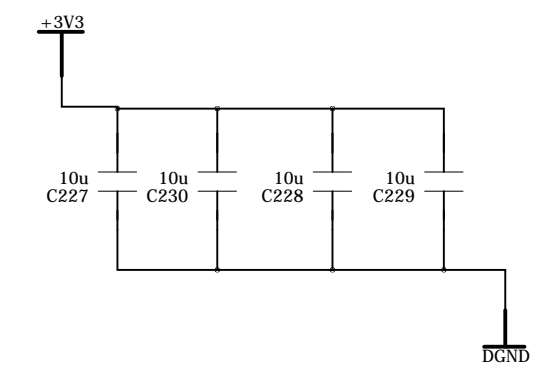
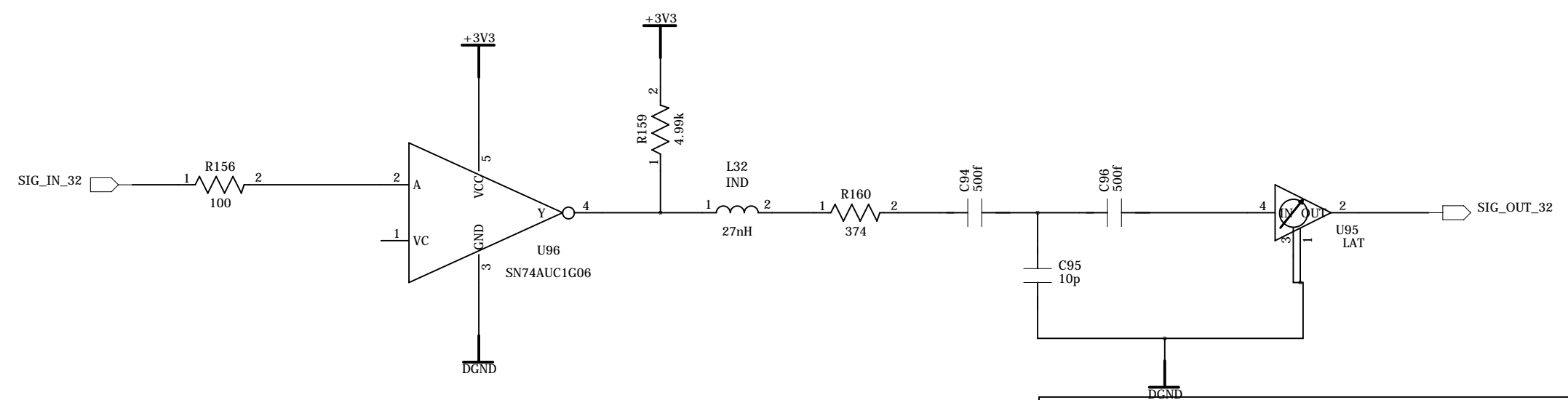
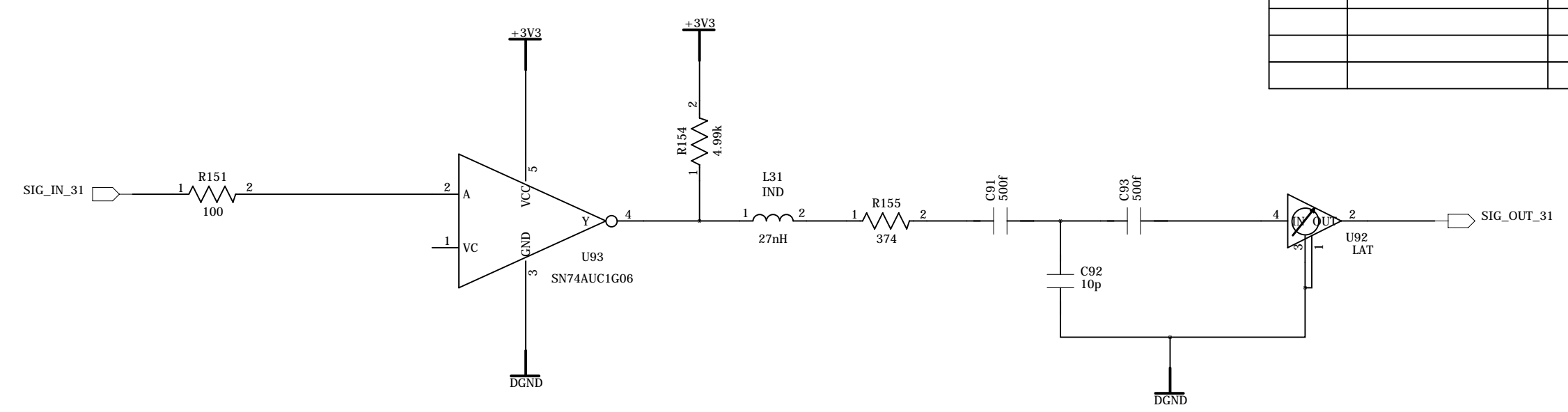
4

3

2

1

REVISION RECORD			
LTR	ECO NO:	APPROVED:	DATE:



COMPANY:				University of Hawaii			
TITLE:				Pulser Test			
DRAWN:	Ziru	DATED:	Nov23,2014	CODE:	SIZE:	DRAWING NO:	REV:
CHECKED:	<Checked By>	DATED:	<Checked Date>	<Code>	B	<Drawing Number>	1.0
QUALITY CONTROL:	<QC By>	DATED:	<QC Date>	SCALE: <Scale>			
RELEASED:	<Released By>	DATED:	<Release Date>	SHEET: 16 19			

D

C

B

A

D

C

B

A



6

5

4

3

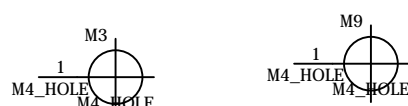
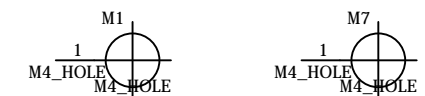
2

1

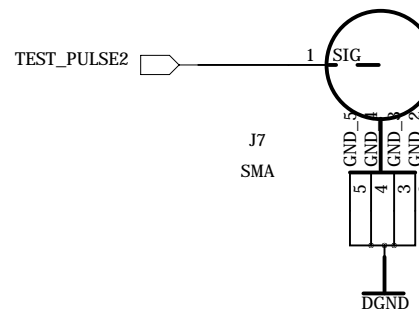
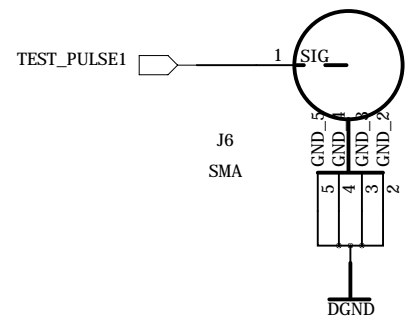
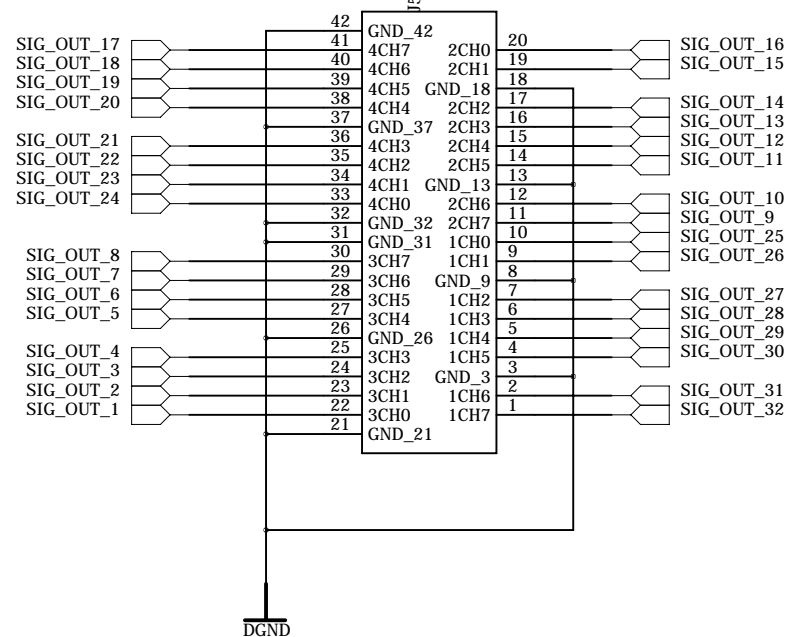
REVISION RECORD			
LTR	ECO NO:	APPROVED:	DATE:

D

D



CONTACT\_PADS

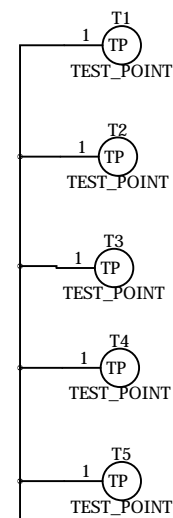
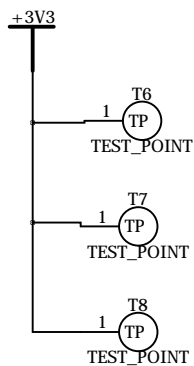


C

C

B

B



A

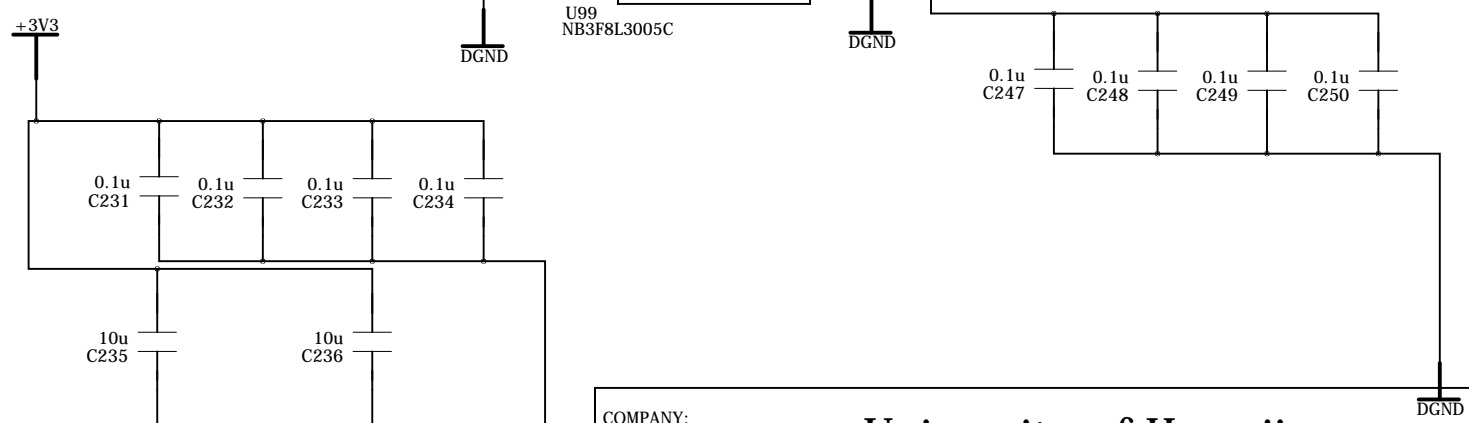
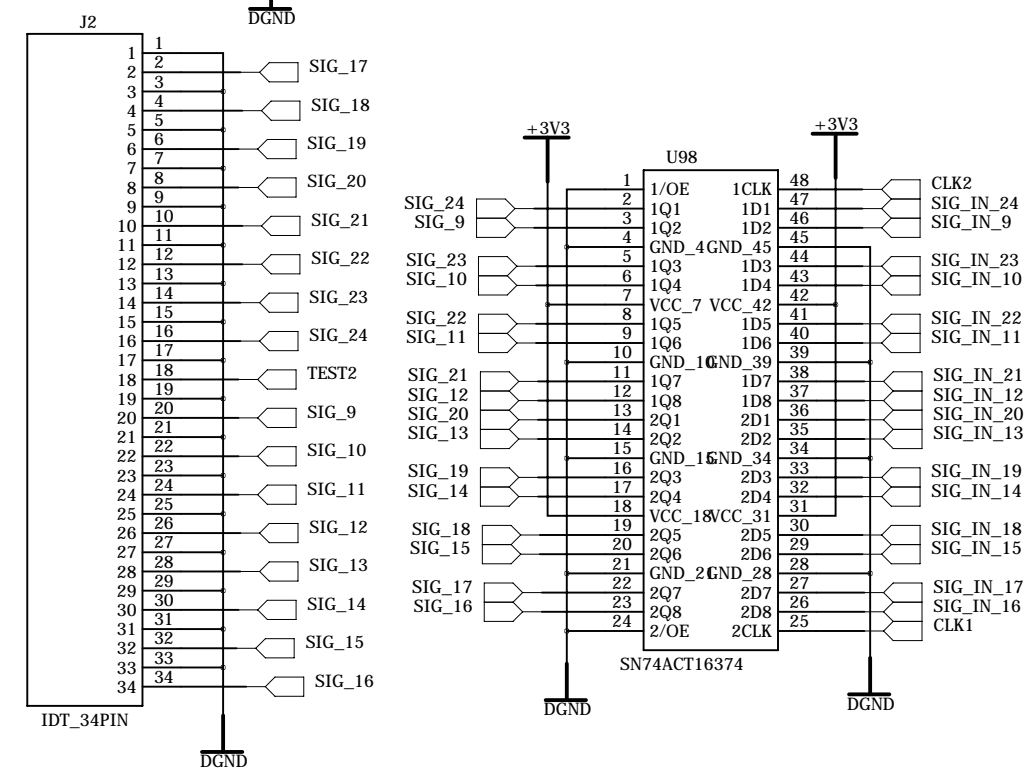
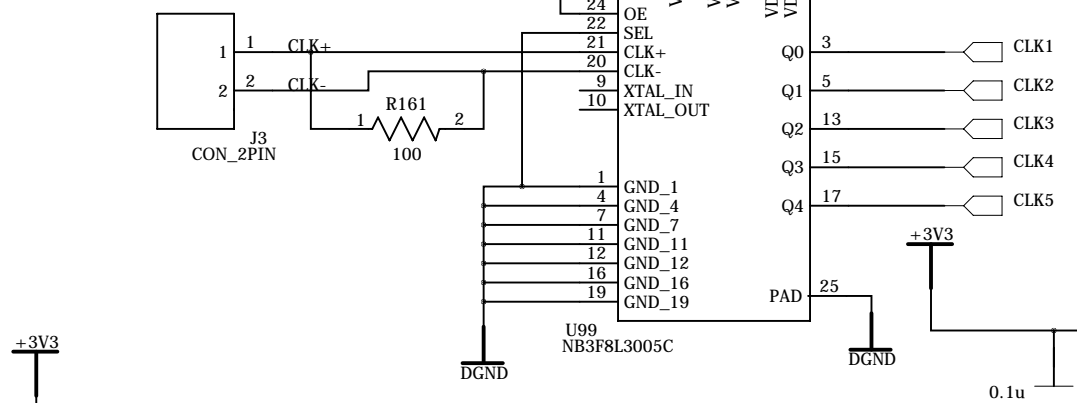
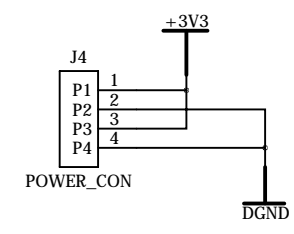
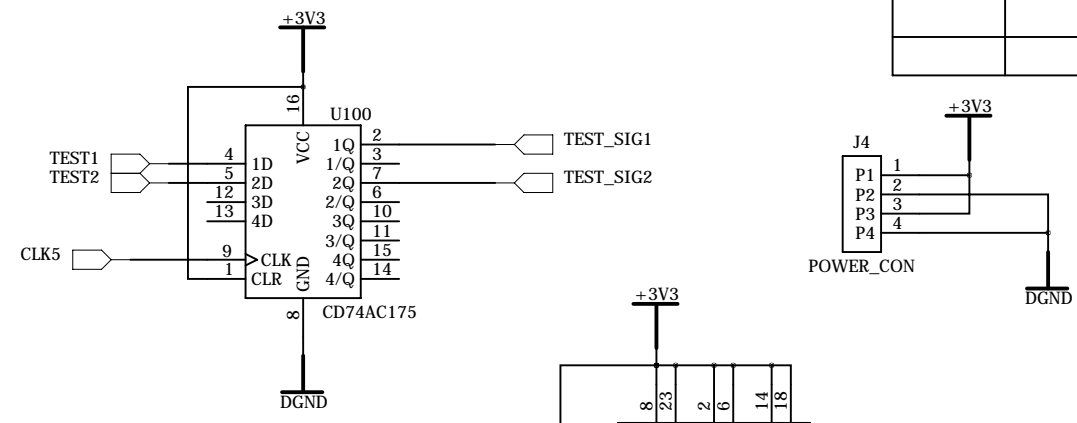
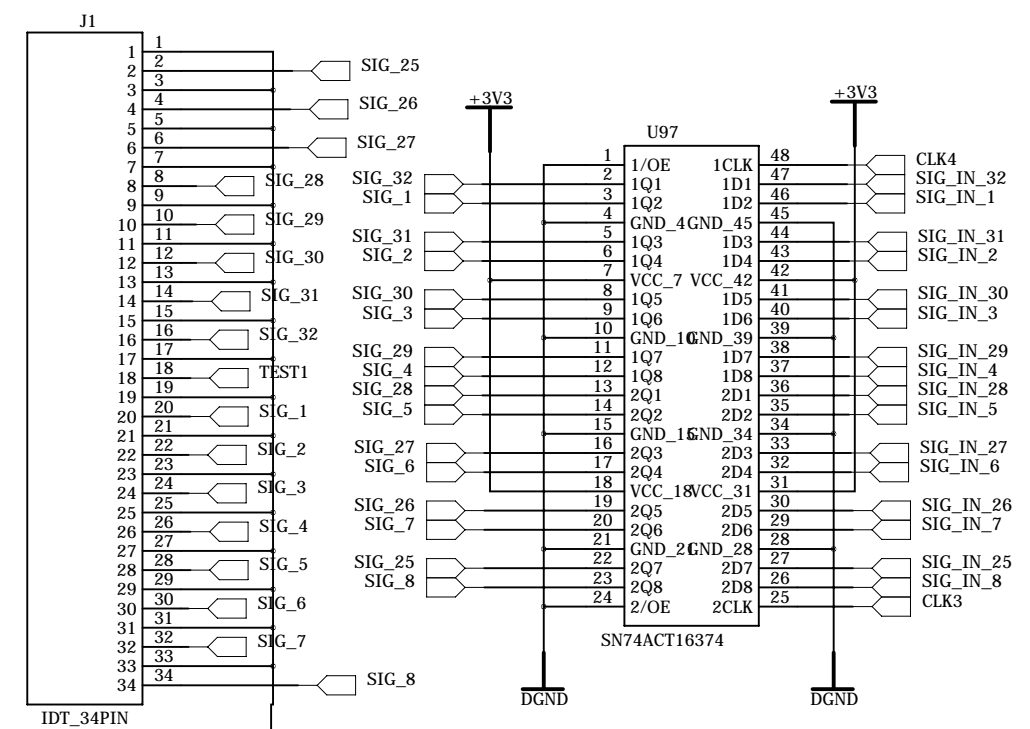
A

COMPANY:				University of Hawaii			
TITLE:				Pulser Test			
DRAWN:	Ziru	DATED:	Nov23,2014	CODE:	SIZE:	DRAWING NO:	REV:
CHECKED:	<Checked By>	DATED:	<Checked Date>	<Code>	B	<Drawing Number>	1.0
QUALITY CONTROL:	<QC By>	DATED:	<QC Date>	SCALE: <Scale>		SHEET: 17 19	
RELEASED:	<Released By>	DATED:	<Release Date>				

DRAWN:	Ziru	DATED:	Nov23,2014
CHECKED:	<Checked By>	DATED:	<Checked Date>
QUALITY CONTROL:	<QC By>	DATED:	<QC Date>
RELEASED:	<Released By>	DATED:	<Release Date>

6 5 4 3 2 1

REVISION RECORD			
LTR	ECO NO:	APPROVED:	DATE:



COMPANY: University of Hawaii			
TITLE: Pulser Test			
DRAWN: Ziru	DATED: Nov23,2014	CODE:	REV: 1.0
CHECKED: <Checked By>	DATED: <Checked Date>	SIZE: B	DRAWING NO: <Drawing Number>
QUALITY CONTROL: <QC By>	DATED: <QC Date>	SCALE: <Scale>	
RELEASED: <Released By>	DATED: <Release Date>	SHEET: 18 OF 19	

D

C

B

A

D

C

B

A

6

5

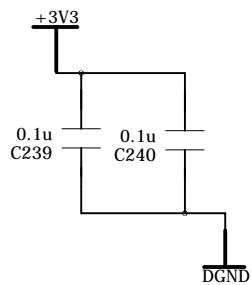
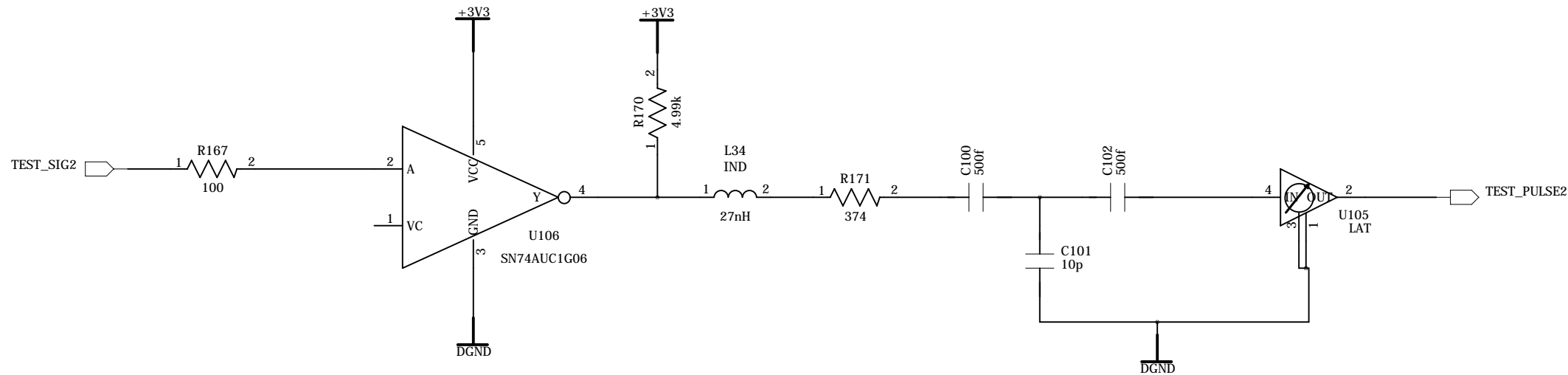
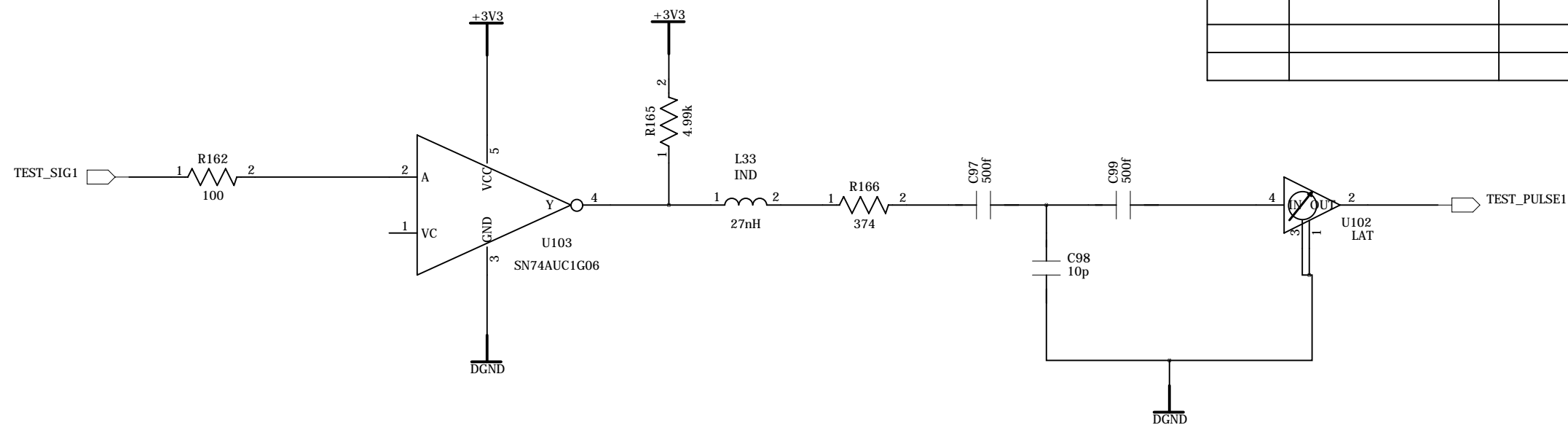
4

3

2

1

REVISION RECORD			
LTR	ECO NO:	APPROVED:	DATE:



COMPANY:				University of Hawaii			
TITLE:				Pulser Test			
DRAWN:	Ziru	DATED:	Nov23,2014	CODE:	SIZE:	DRAWING NO:	REV:
CHECKED:	<Checked By>	DATED:	<Checked Date>	<Code>	B	<Drawing Number>	1.0
QUALITY CONTROL:	<QC By>	DATED:	<QC Date>	SCALE: <Scale>		SHEET: 10 of 19	
RELEASED:	<Released By>	DATED:	<Release Date>				

D

D

C

C

B

B

A

A