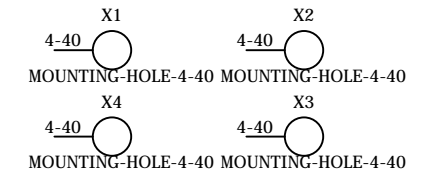
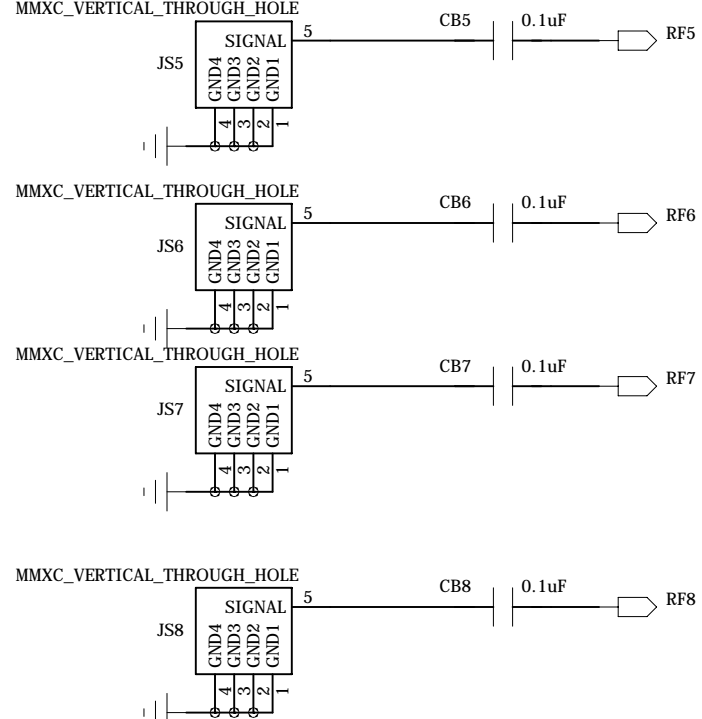
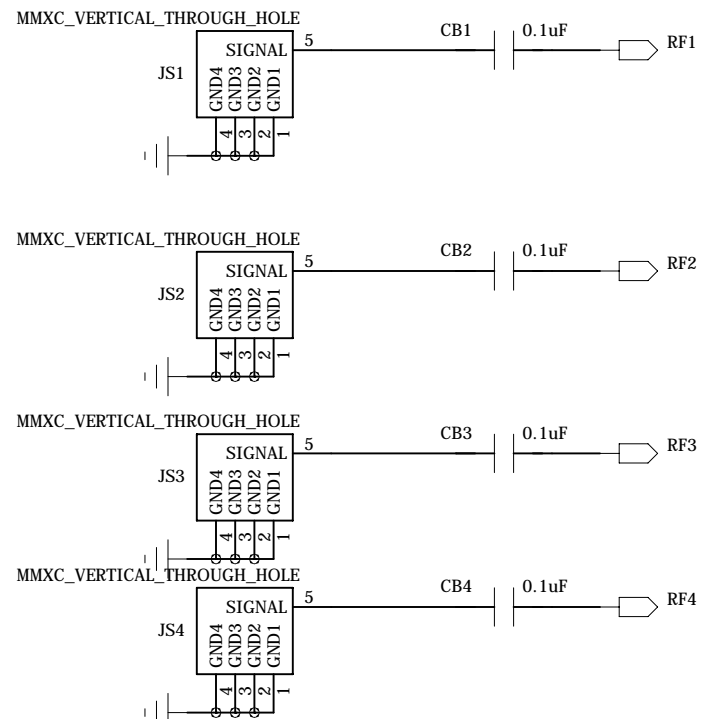


Jumper out for DC scan



institution:	University of Hawaii at Manoa High Energy Physics Lab Instrumentation Development Lab
title:	IRS3D UVB Daughtercard
revision:	A
IDLAB design #:	IDL_14_010
circuit design:	GSV
PCB design:	GSV
sheet #:	1 of 2
sheet description:	IRS3D/UVB input/output
date last modified:	April 3, 2014

E

D

C

B

A

6

5

4

3

2

1

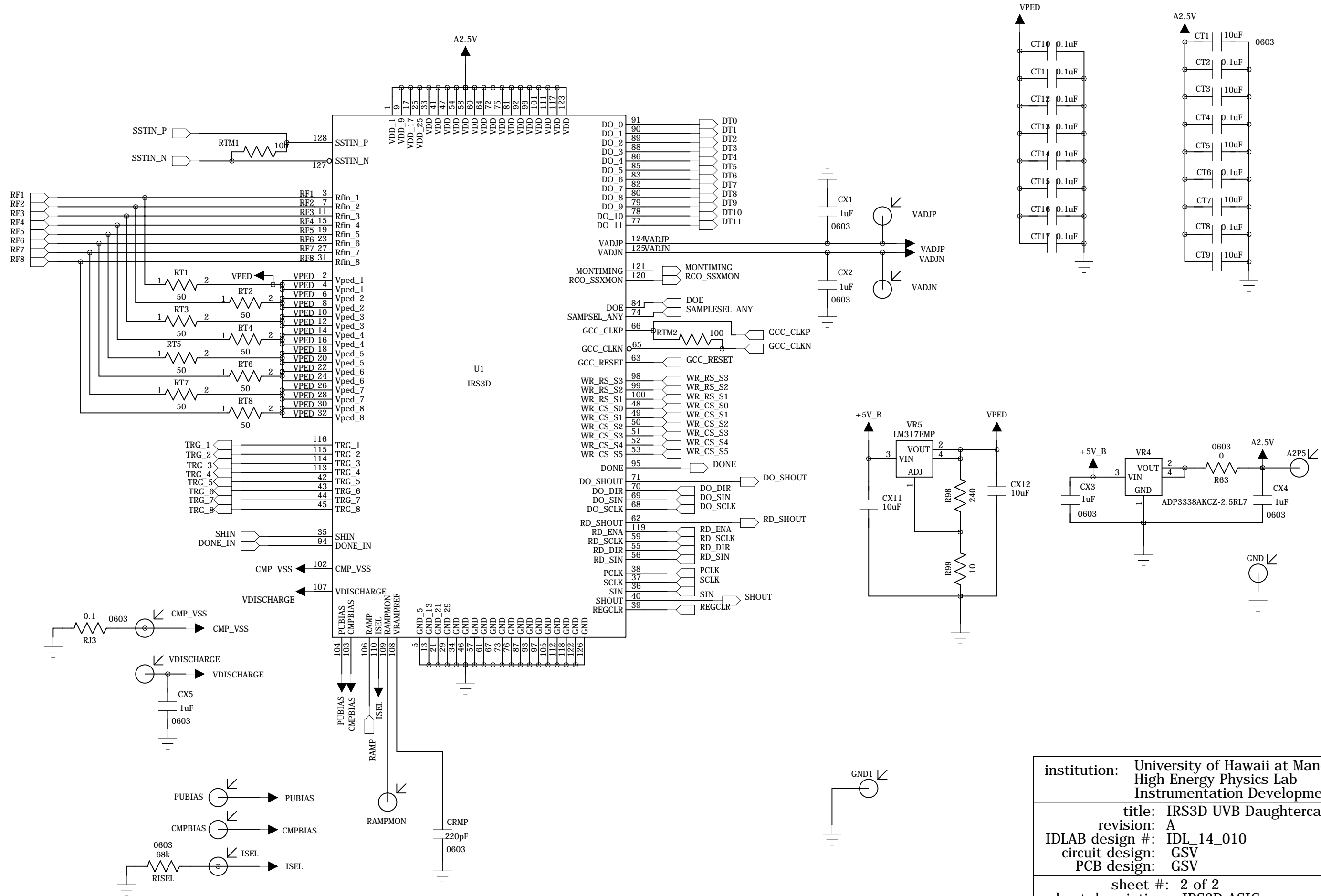
E

D

C

B

A



institution:	University of Hawaii at Manoa High Energy Physics Lab Instrumentation Development Lab
title:	IRS3D UVB Daughtercard
revision:	A
IDLAB design #:	IDL_14_010
circuit design:	GSV
PCB design:	GSV
sheet #:	2 of 2
sheet description:	IRS3D ASIC
date last modified:	April 3, 2014