

6

5

4

3

2

1

E

E

D

D

C

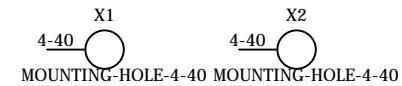
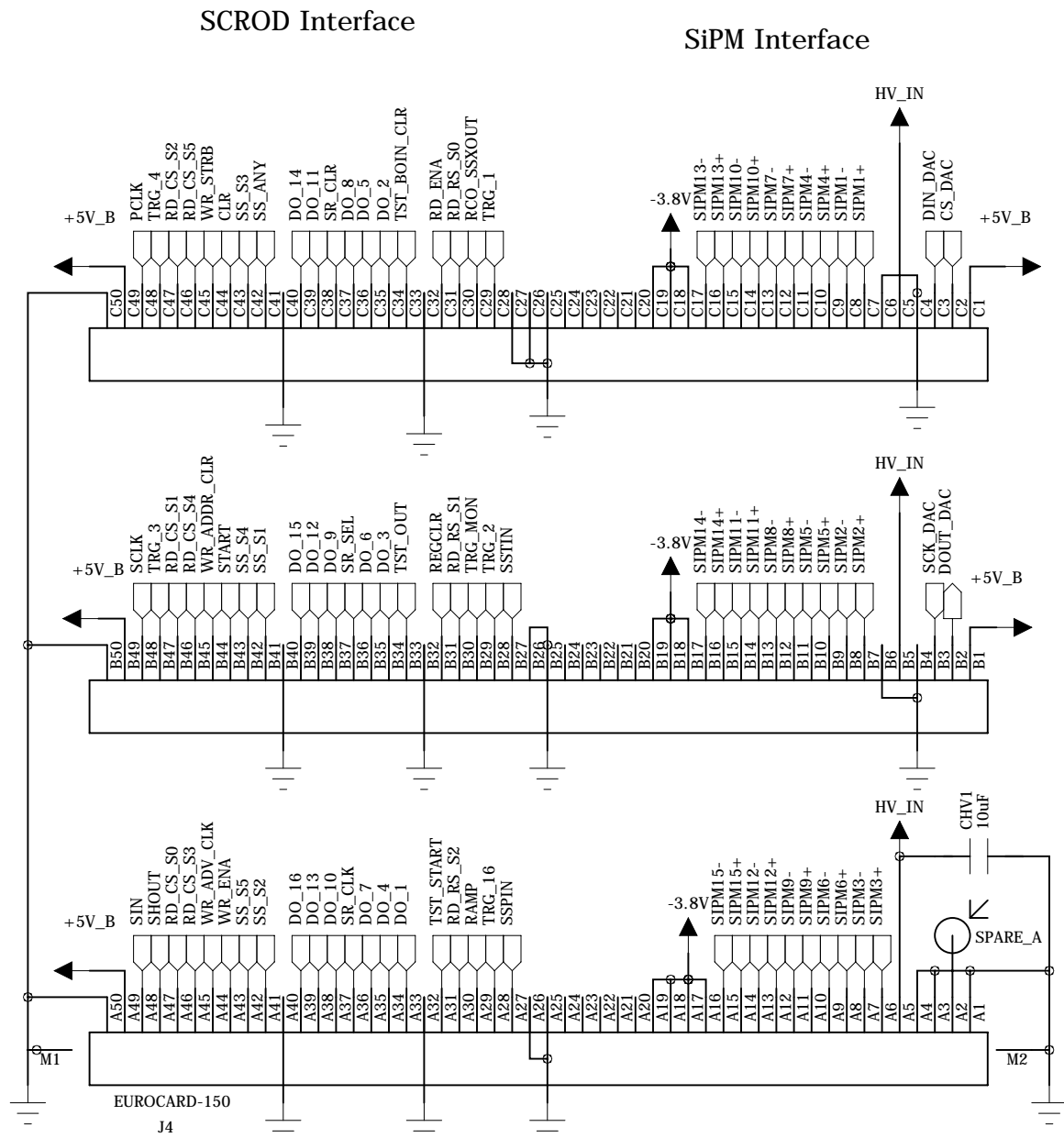
C

B

B

A

A



institution:	University of Hawaii at Manoa High Energy Physics Lab Instrumentation Development Lab
title:	TARGET6 SciFi Daughtercard
revision:	A
IDLAB design #:	IDL_13_011
circuit design:	GSV
PCB design:	GSV
sheet #:	1 of 19
sheet description:	SciFi/UVB input/output
date last modified:	October 25, 2013

6

5

4

3

2

1

E

E

D

D

C

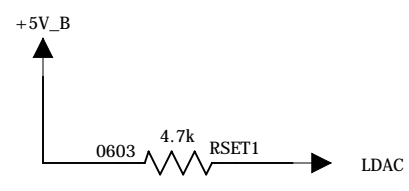
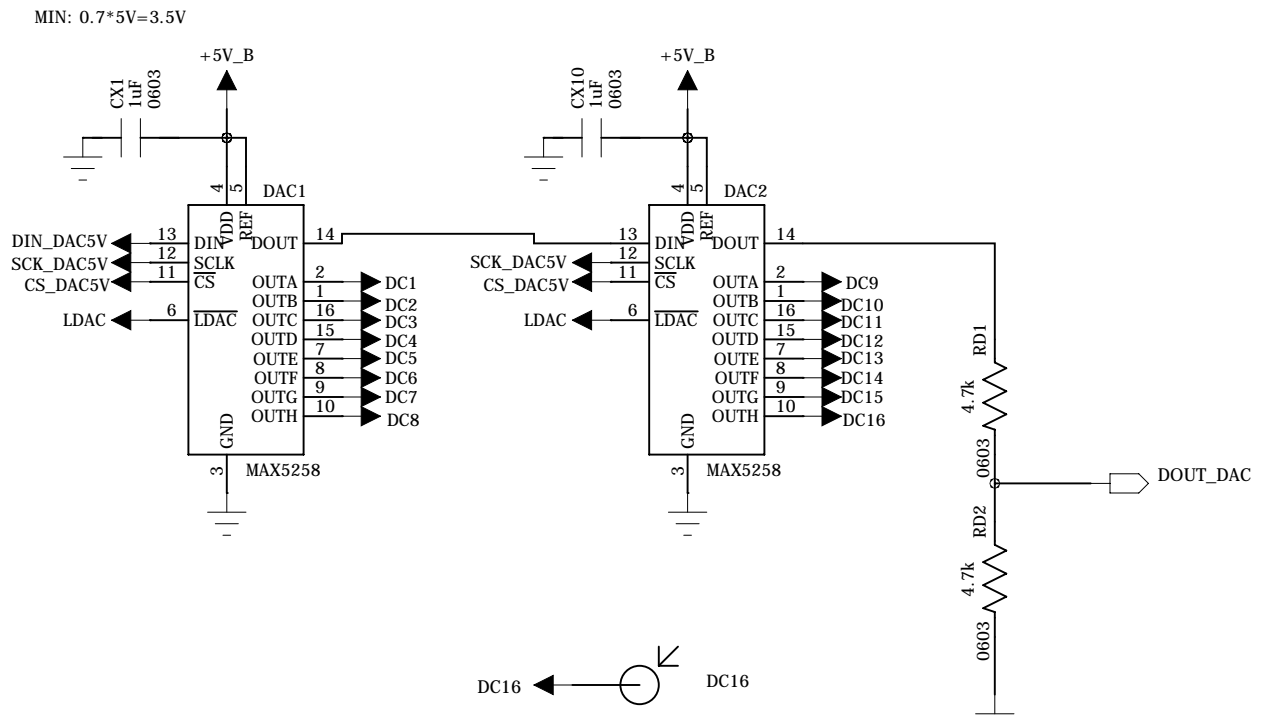
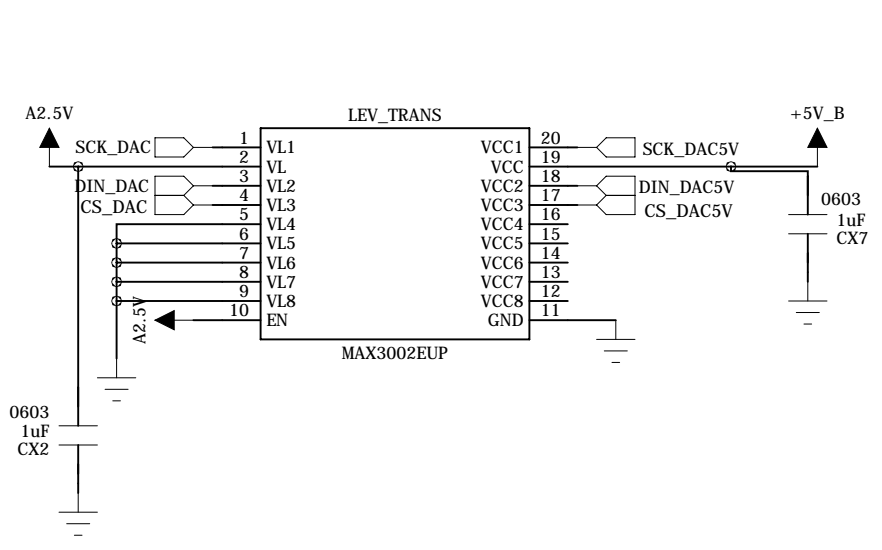
C

B

B

A

A



institution:	University of Hawaii at Manoa High Energy Physics Lab Instrumentation Development Lab
title:	TARGET6 SciFi Daughtercard
revision:	A
IDLAB design #:	IDL_13_011
circuit design:	GSV
PCB design:	GSV
sheet #:	2 of 19
sheet description:	DACS for SciFi MPPC tuning
date last modified:	October 25, 2013

6

5

4

3

2

1

E

E

D

D

C

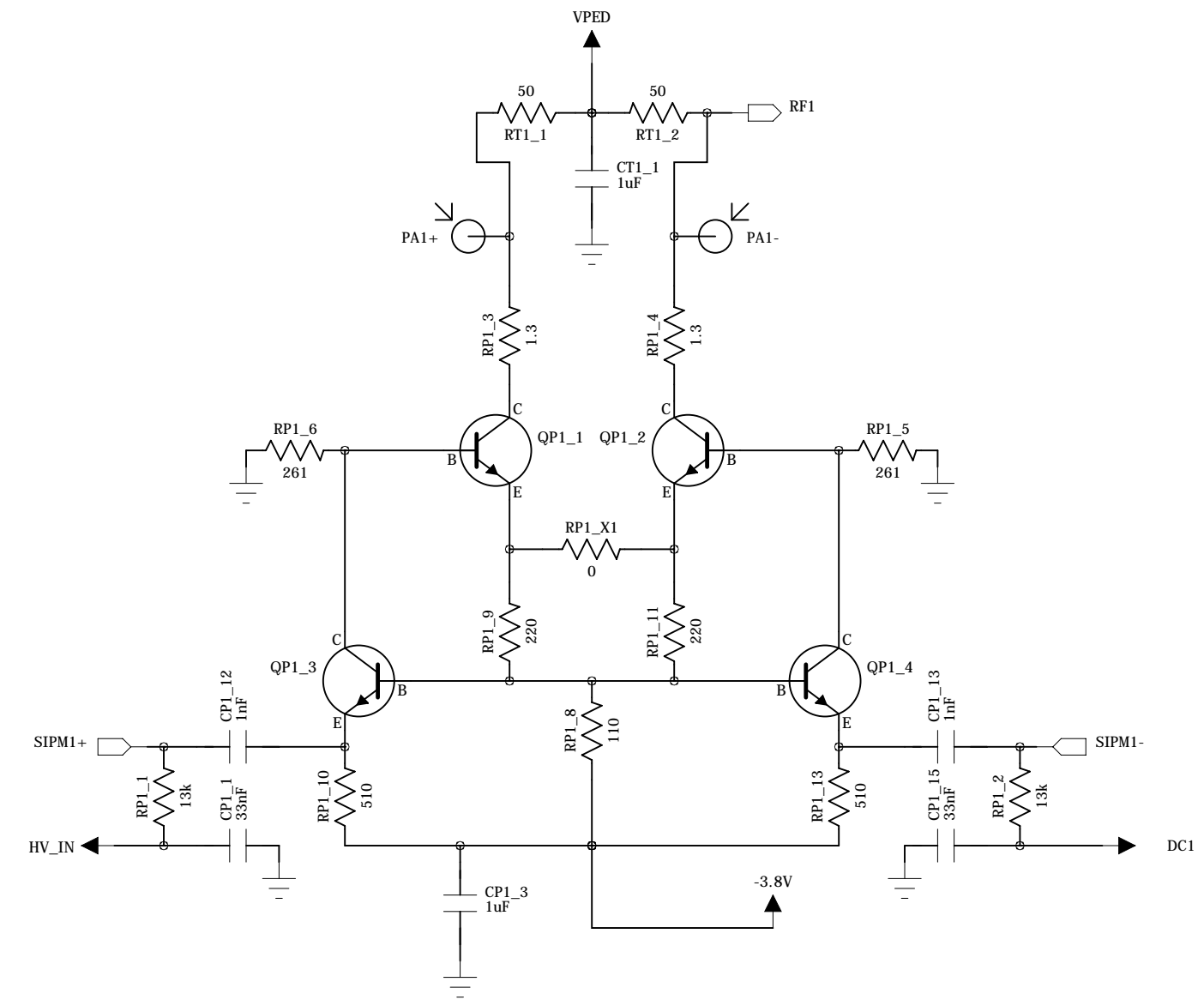
C

B

B

A

A



institution:	University of Hawaii at Manoa High Energy Physics Lab Instrumentation Development Lab
title:	TARGET6 SciFi Daughtercard
revision:	A
IDLAB design #:	IDL_13_011
circuit design:	GSV
PCB design:	GSV
sheet #:	3 of 19
sheet description:	PreAmp-1
date last modified:	October 25, 2013

6

5

4

3

2

1

E

E

D

D

C

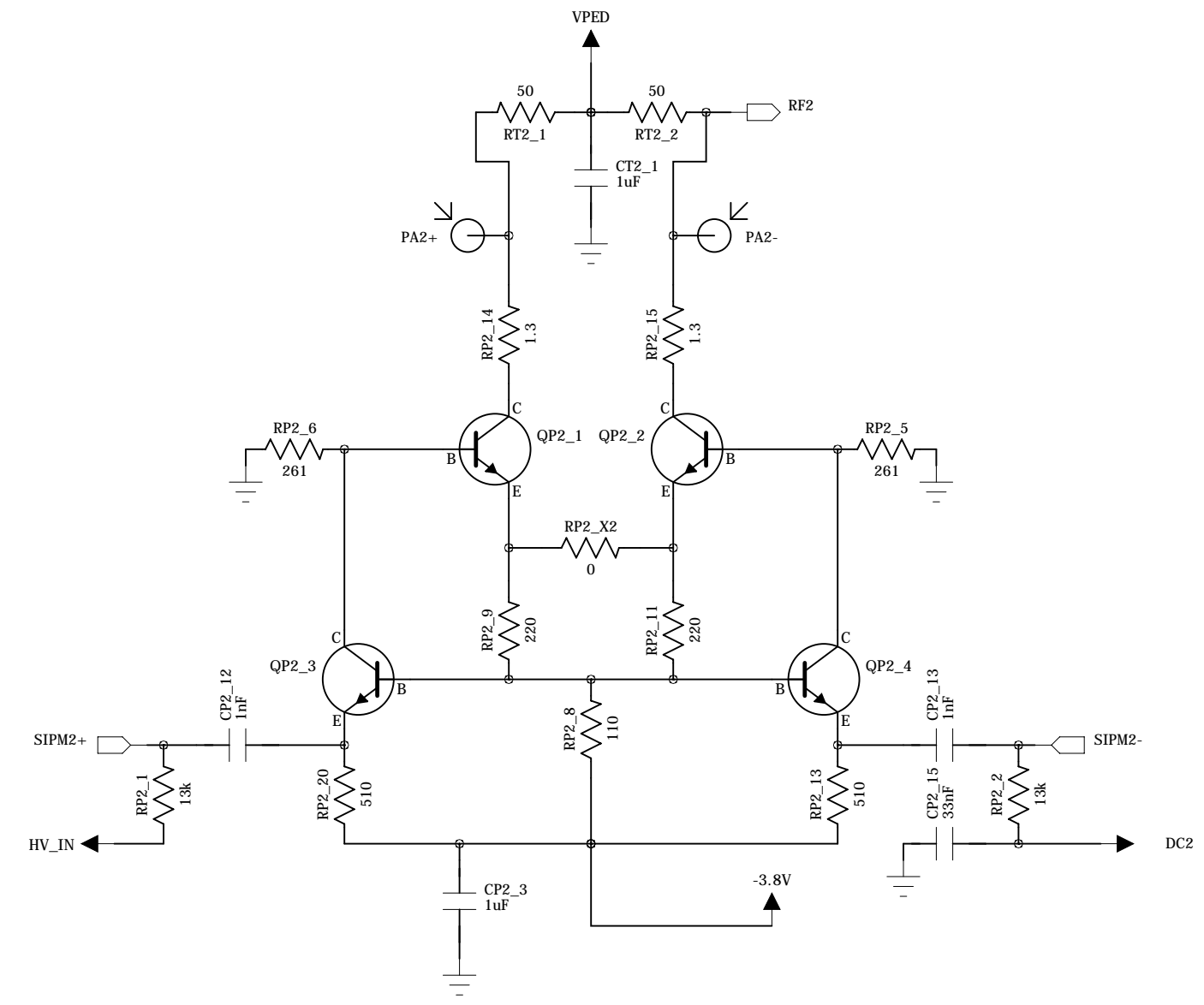
C

B

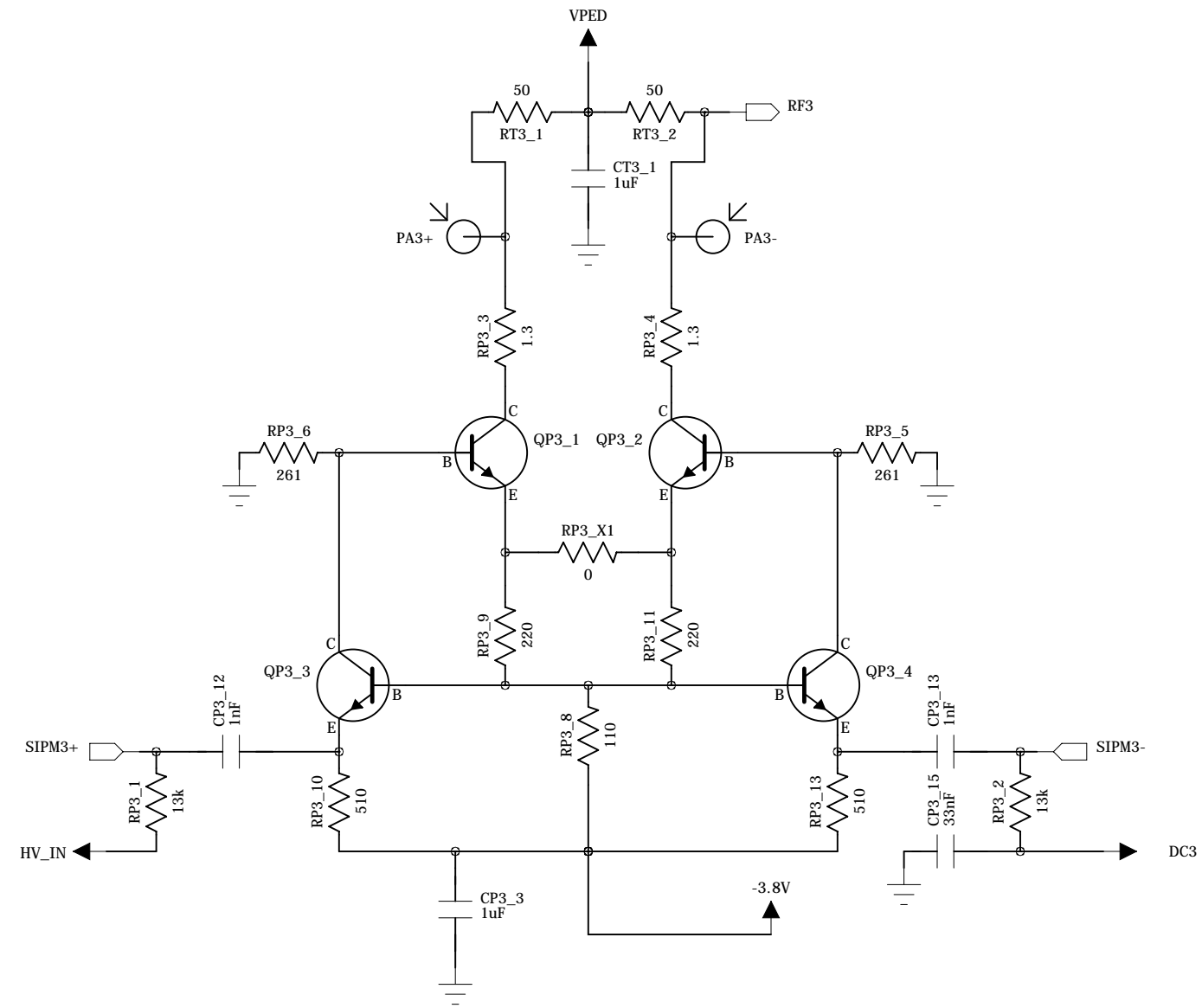
B

A

A



institution:	University of Hawaii at Manoa High Energy Physics Lab Instrumentation Development Lab
title:	TARGET6 SciFi Daughtercard
revision:	A
IDLAB design #:	IDL_13_011
circuit design:	GSV
PCB design:	GSV
sheet #:	4 of 19
sheet description:	PreAmp-2
date last modified:	October 25, 2013



institution: University of Hawaii at Manoa
High Energy Physics Lab
Instrumentation Development Lab

title: TARGET6 SciFi Daughtercard
revision: A
IDLAB design #: IDL_13_011
circuit design: GSV
PCB design: GSV

sheet #: 5 of 19
sheet description: PreAmp-3
date last modified: October 25, 2013

6

5

4

3

2

1

E

E

D

D

C

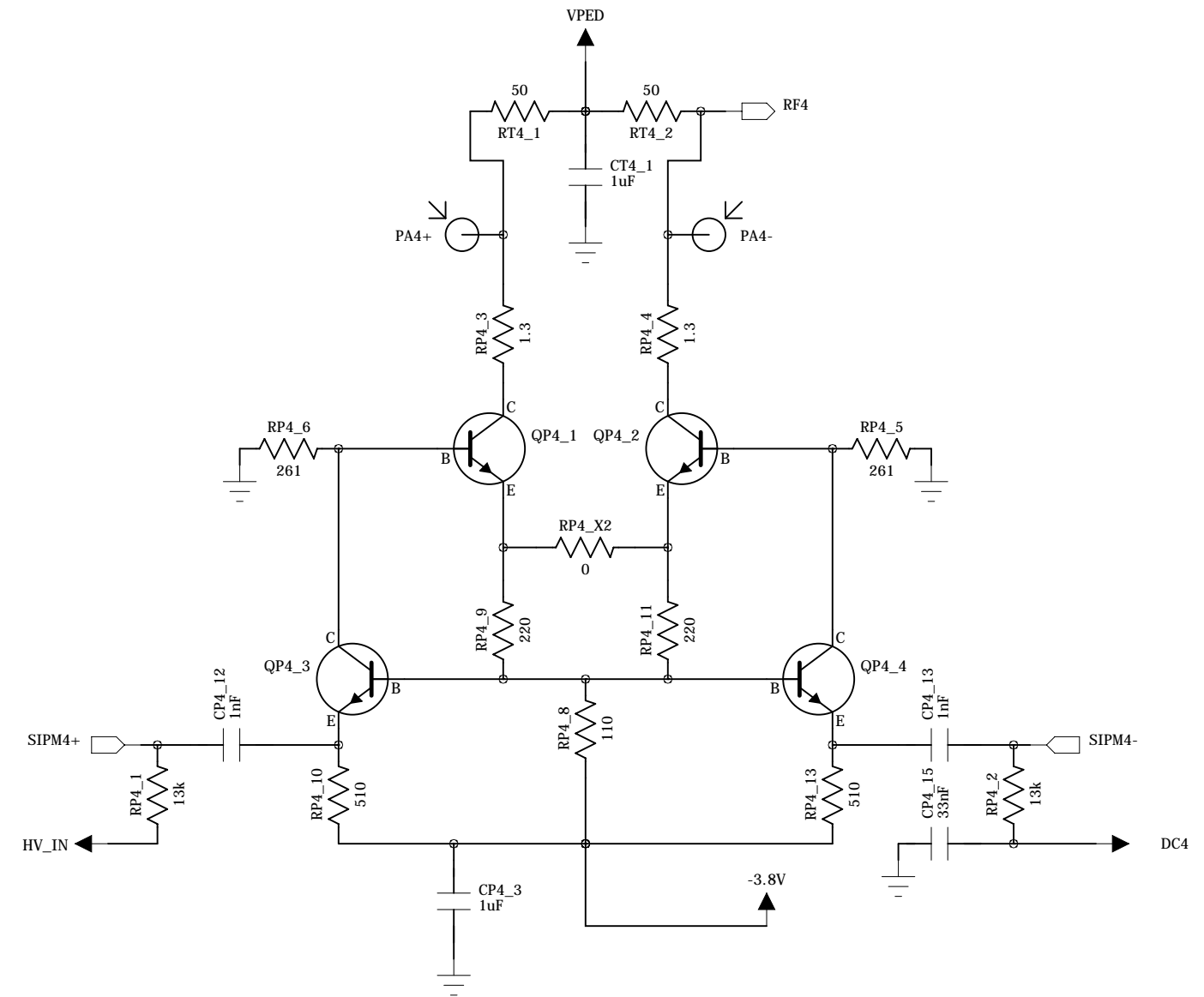
C

B

B

A

A



institution:	University of Hawaii at Manoa High Energy Physics Lab Instrumentation Development Lab
title:	TARGET6 SciFi Daughtercard
revision:	A
IDLAB design #:	IDL_13_011
circuit design:	GSV
PCB design:	GSV
sheet #:	6 of 19
sheet description:	PreAmp-4
date last modified:	October 25, 2013

6

5

4

3

2

1

E

E

D

D

C

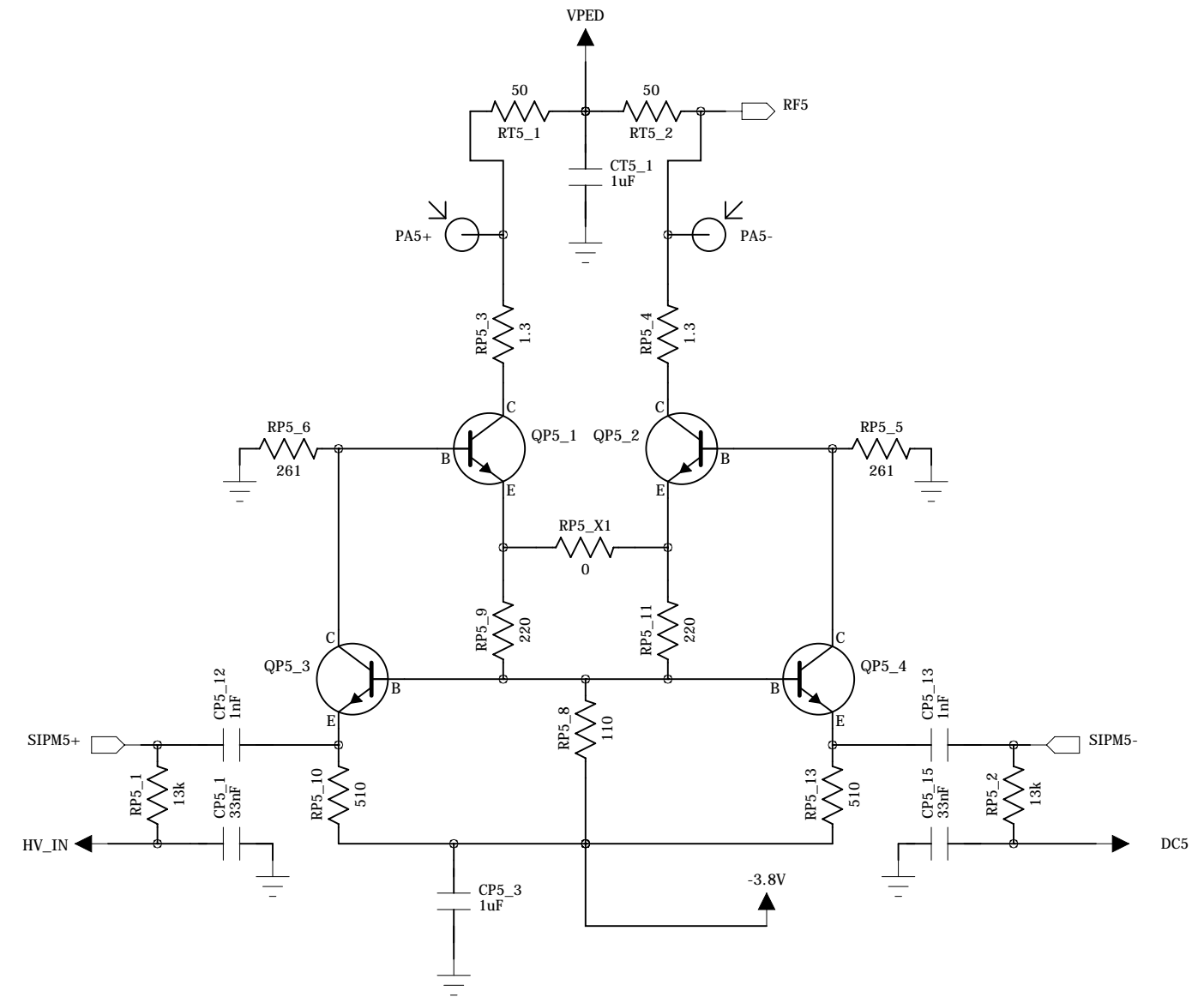
C

B

B

A

A



institution:	University of Hawaii at Manoa High Energy Physics Lab Instrumentation Development Lab
title:	TARGET6 SciFi Daughtercard
revision:	A
IDLAB design #:	IDL_13_011
circuit design:	GSV
PCB design:	GSV
sheet #:	7 of 19
sheet description:	PreAmp-5
date last modified:	October 25, 2013

6

5

4

3

2

1

E

E

D

D

C

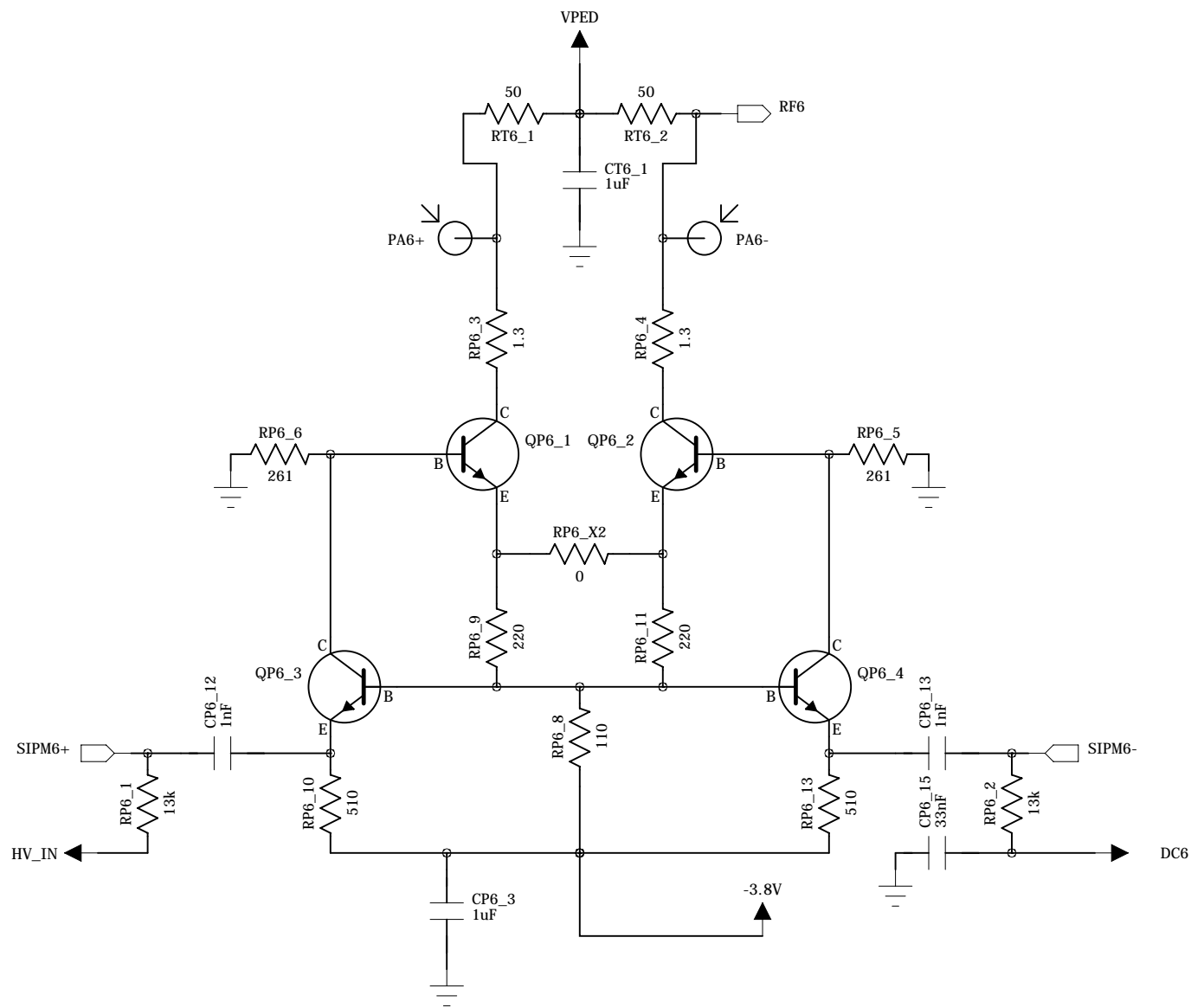
C

B

B

A

A



institution:	University of Hawaii at Manoa High Energy Physics Lab Instrumentation Development Lab
title:	TARGET6 SciFi Daughtercard
revision:	A
IDLAB design #:	IDL_13_011
circuit design:	GSV
PCB design:	GSV
sheet #:	8 of 19
sheet description:	PreAmp-6
date last modified:	October 25, 2013

6

5

4

3

2

1

E

E

D

D

C

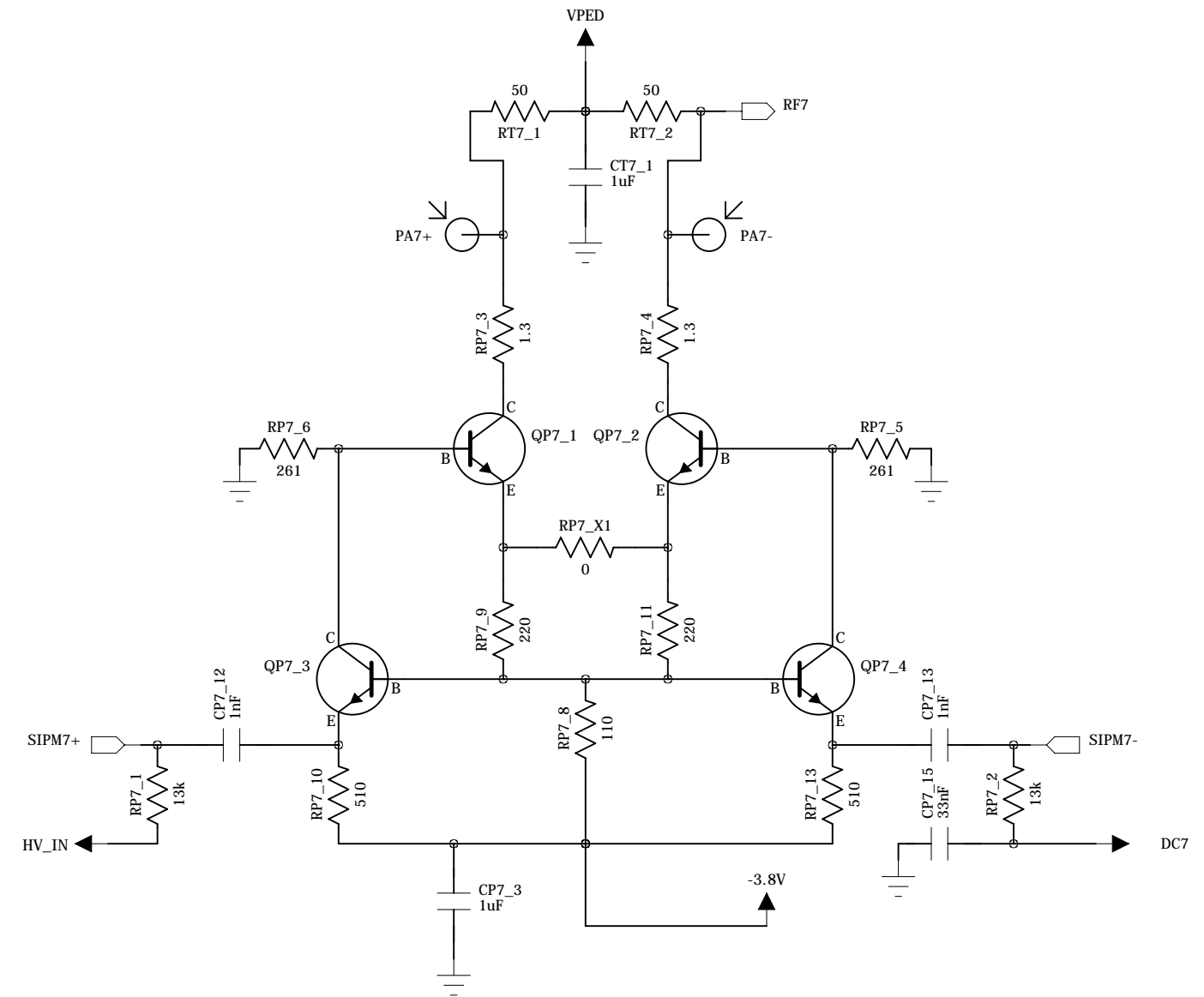
C

B

B

A

A



institution:	University of Hawaii at Manoa High Energy Physics Lab Instrumentation Development Lab
title:	TARGET6 SciFi Daughtercard
revision:	A
IDLAB design #:	IDL_13_011
circuit design:	GSV
PCB design:	GSV
sheet #:	9 of 19
sheet description:	PreAmp-7
date last modified:	October 25, 2013

6

5

4

3

2

1

E

E

D

D

C

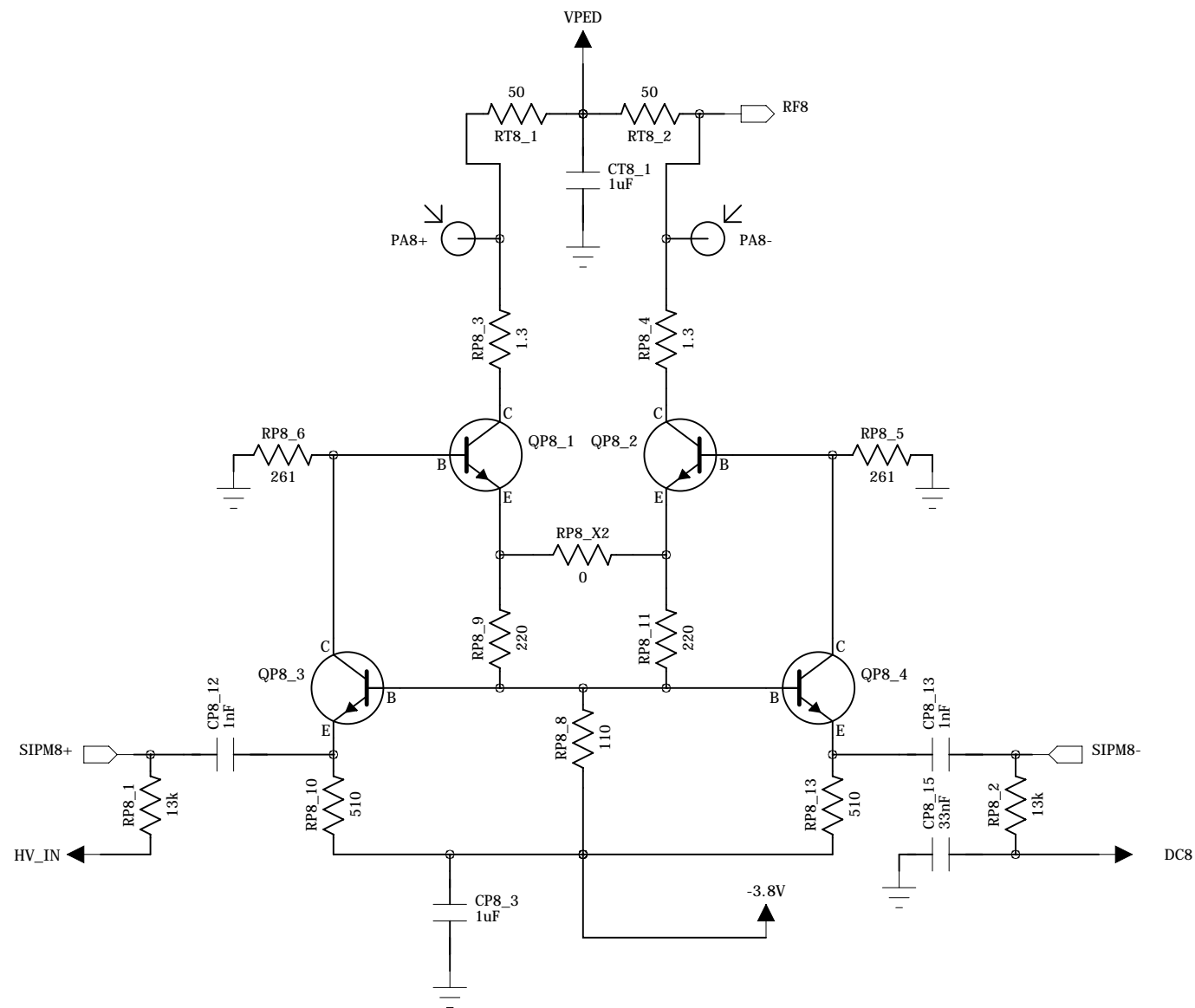
C

B

B

A

A



institution:	University of Hawaii at Manoa High Energy Physics Lab Instrumentation Development Lab
title:	TARGET6 SciFi Daughtercard
revision:	A
IDLAB design #:	IDL_13_011
circuit design:	GSV
PCB design:	GSV
sheet #:	10 of 19
sheet description:	PreAmp-8
date last modified:	October 25, 2013

6

5

4

3

2

1

E

E

D

D

C

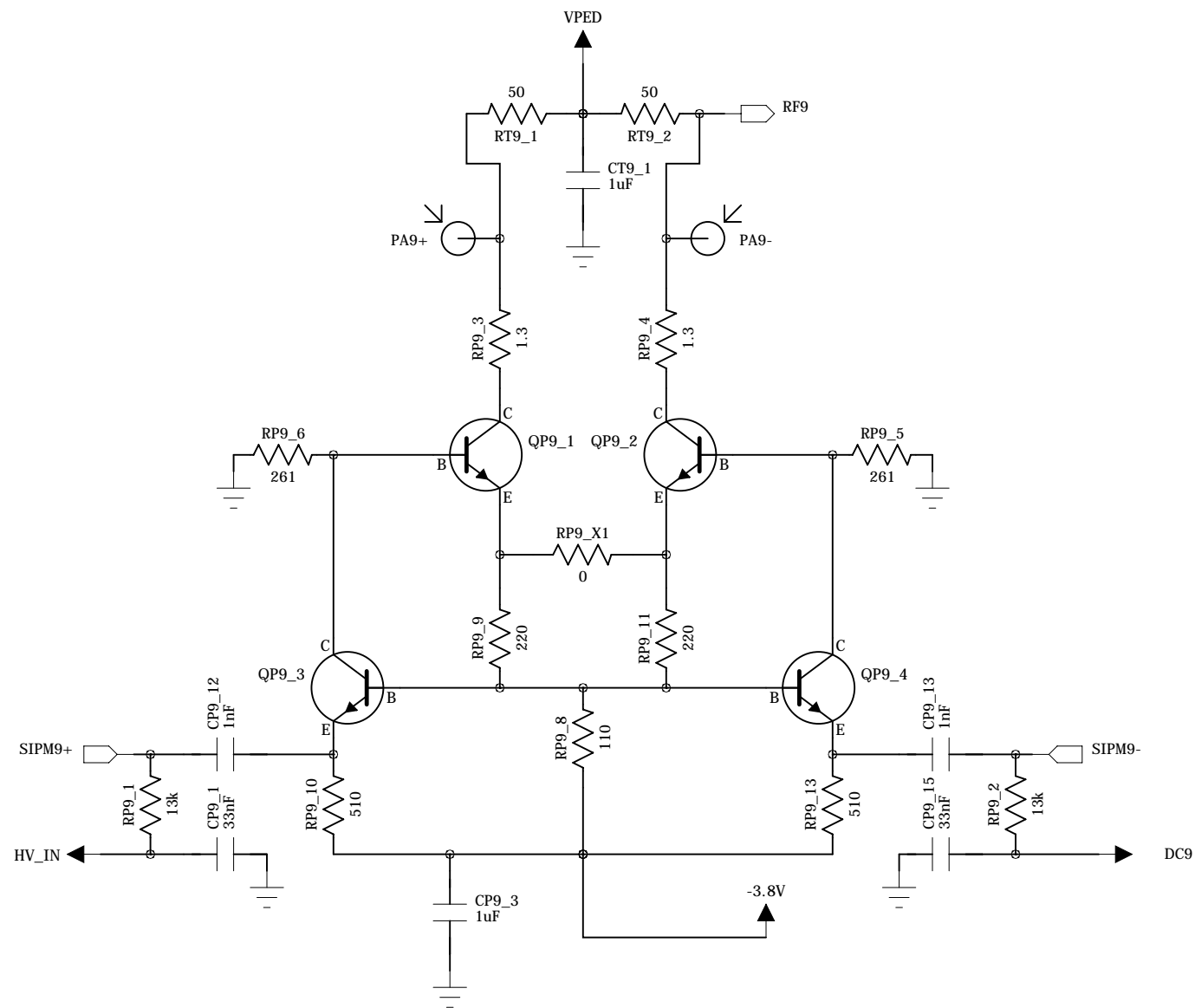
C

B

B

A

A



institution:	University of Hawaii at Manoa High Energy Physics Lab Instrumentation Development Lab
title:	TARGET6 SciFi Daughtercard
revision:	A
IDLAB design #:	IDL_13_011
circuit design:	GSV
PCB design:	GSV
sheet #:	11 of 19
sheet description:	PreAmp-9
date last modified:	October 25, 2013

6

5

4

3

2

1

E

E

D

D

C

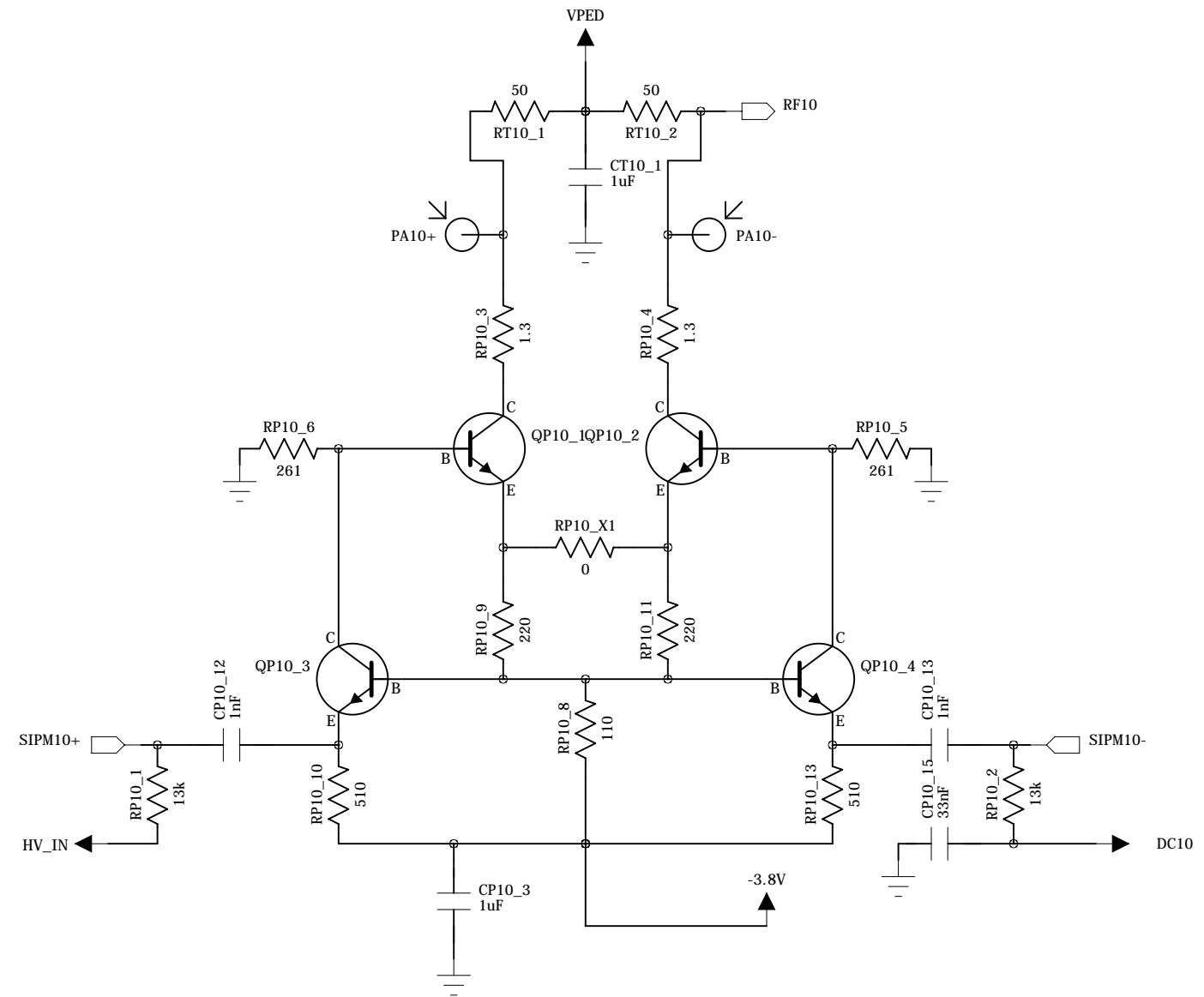
C

B

B

A

A



institution:	University of Hawaii at Manoa High Energy Physics Lab Instrumentation Development Lab
title:	TARGET6 SciFi Daughtercard
revision:	A
IDLAB design #:	IDL_13_011
circuit design:	GSV
PCB design:	GSV
sheet #:	12 of 19
sheet description:	PreAmp-10
date last modified:	October 25, 2013

6

5

4

3

2

1

E

E

D

D

C

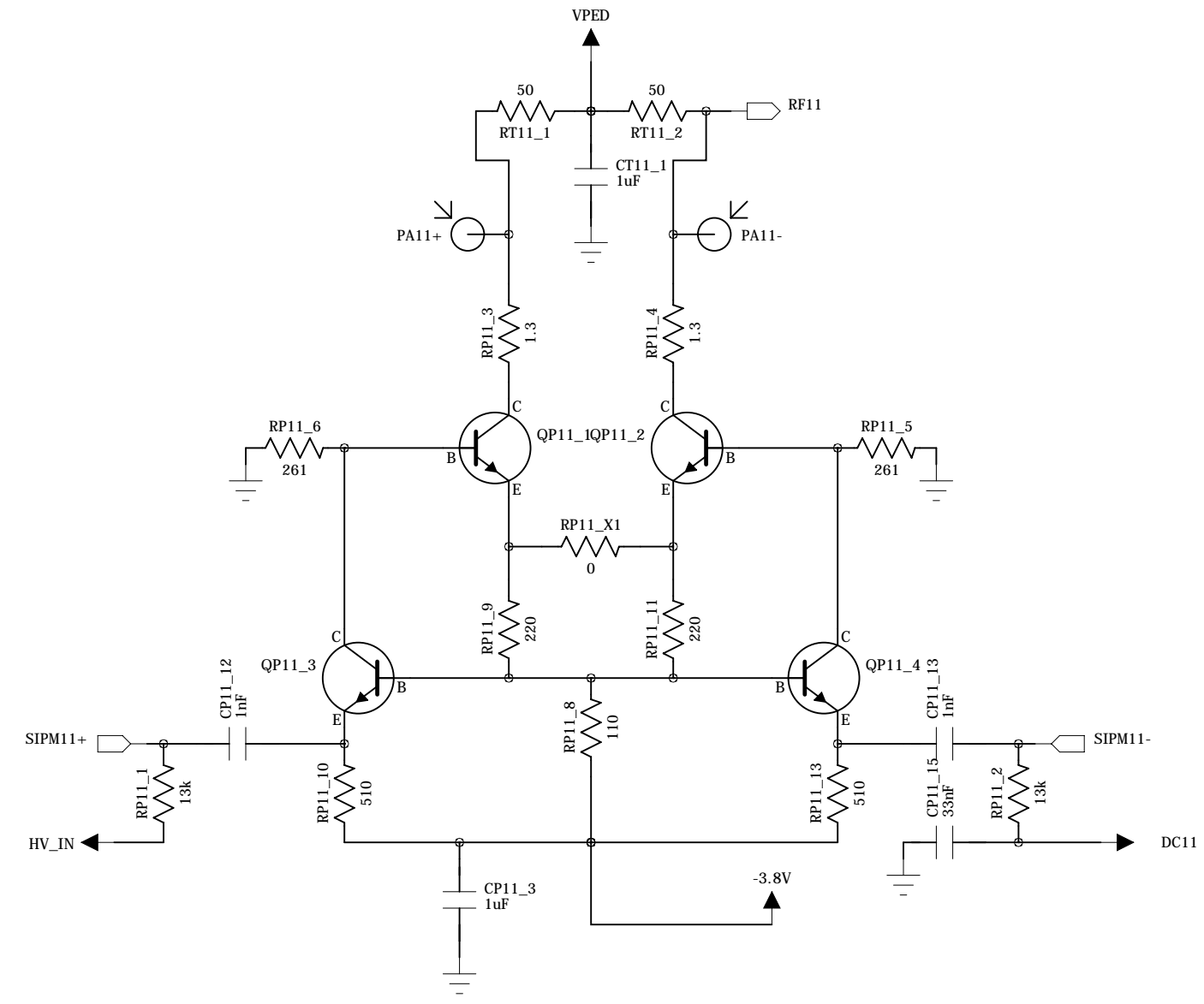
C

B

B

A

A



institution:	University of Hawaii at Manoa High Energy Physics Lab Instrumentation Development Lab
title:	TARGET6 SciFi Daughtercard
revision:	A
IDLAB design #:	IDL_13_011
circuit design:	GSV
PCB design:	GSV
sheet #:	13 of 19
sheet description:	PreAmp-11
date last modified:	October 25, 2013

6

5

4

3

2

1

E

E

D

D

C

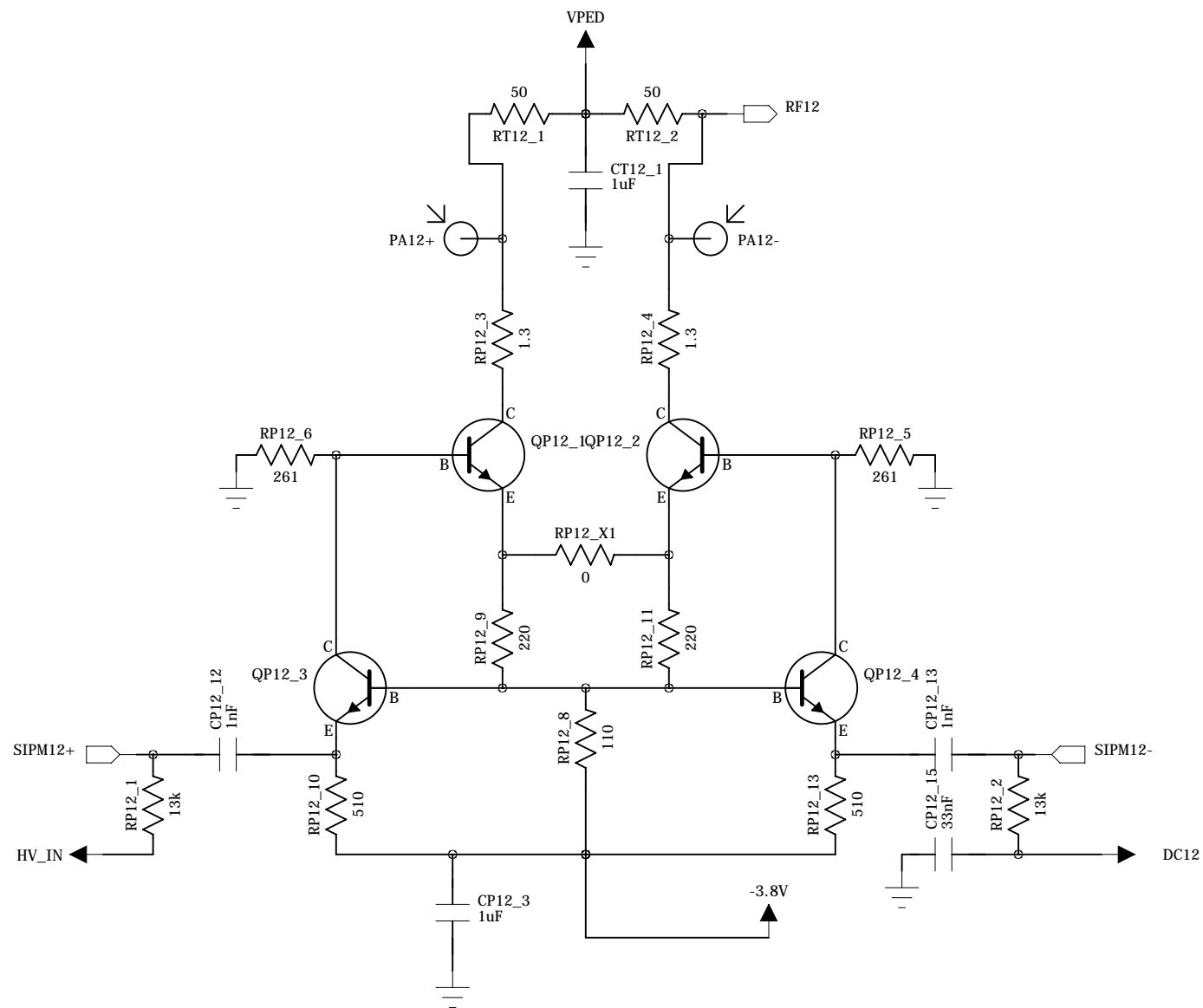
C

B

B

A

A



institution:	University of Hawaii at Manoa High Energy Physics Lab Instrumentation Development Lab
title:	TARGET6 SciFi Daughtercard
revision:	A
IDLAB design #:	IDL_13_011
circuit design:	GSV
PCB design:	GSV
sheet #:	14 of 19
sheet description:	PreAmp-12
date last modified:	October 25, 2013

6

5

4

3

2

1

E

E

D

D

C

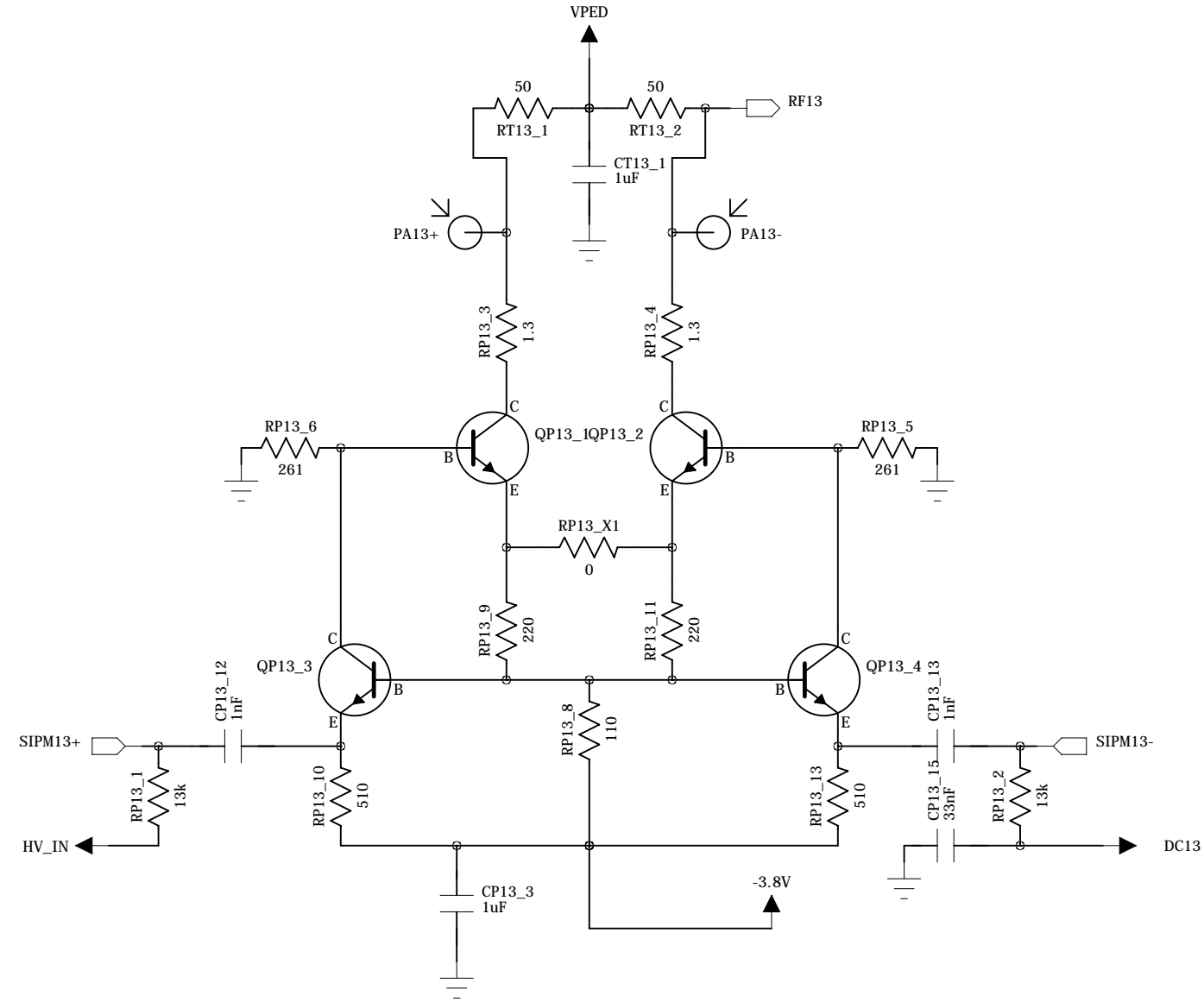
C

B

B

A

A



institution:	University of Hawaii at Manoa High Energy Physics Lab Instrumentation Development Lab
title:	TARGET6 SciFi Daughtercard
revision:	A
IDLAB design #:	IDL_13_011
circuit design:	GSV
PCB design:	GSV
sheet #:	15 of 19
sheet description:	PreAmp-13
date last modified:	October 25, 2013

6

5

4

3

2

1

E

E

D

D

C

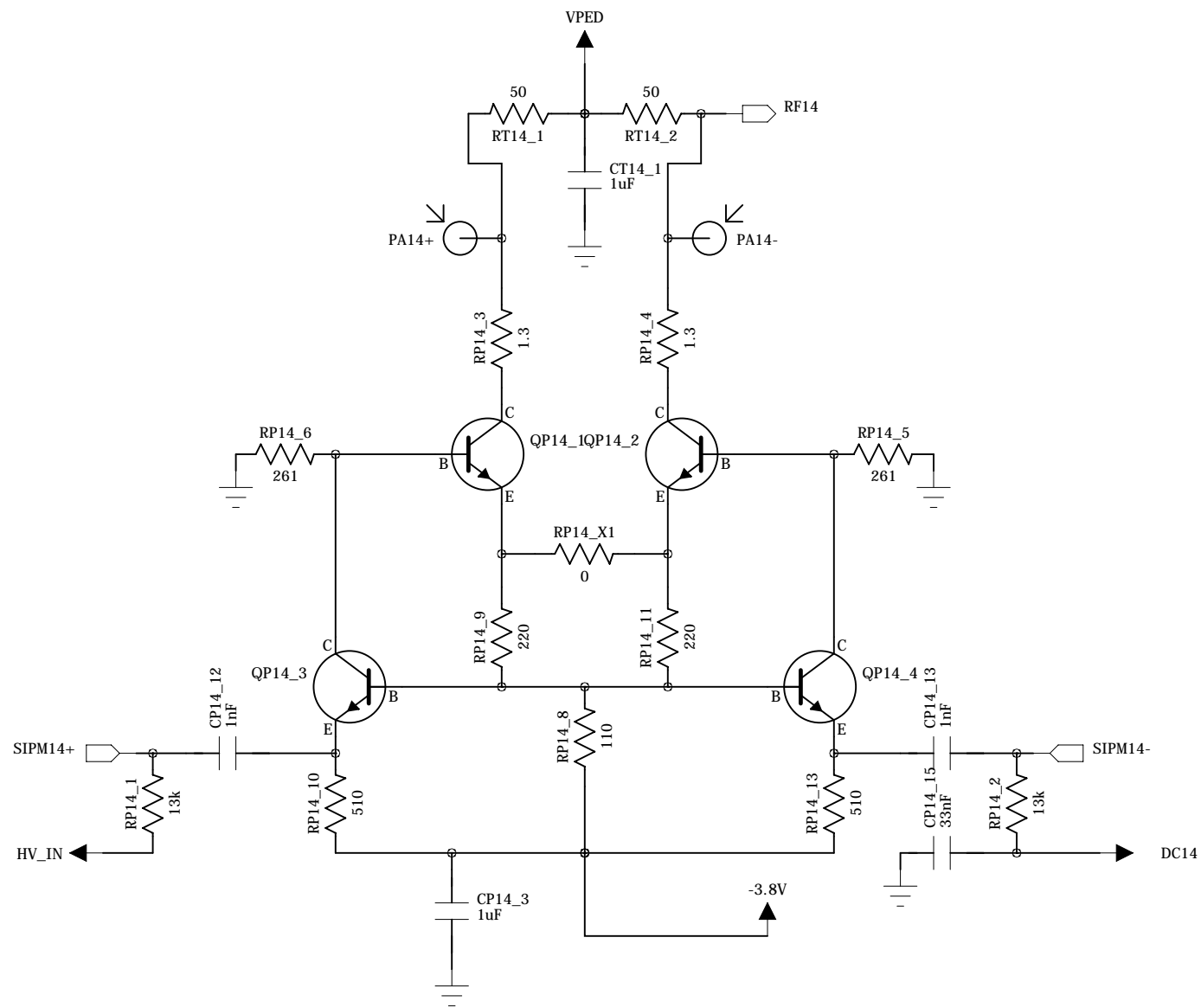
C

B

B

A

A



institution:	University of Hawaii at Manoa High Energy Physics Lab Instrumentation Development Lab
title:	TARGET6 SciFi Daughtercard
revision:	A
IDLAB design #:	IDL_13_011
circuit design:	GSV
PCB design:	GSV
sheet #:	16 of 19
sheet description:	PreAmp-14
date last modified:	October 25, 2013

6

5

4

3

2

1

E

E

D

D

C

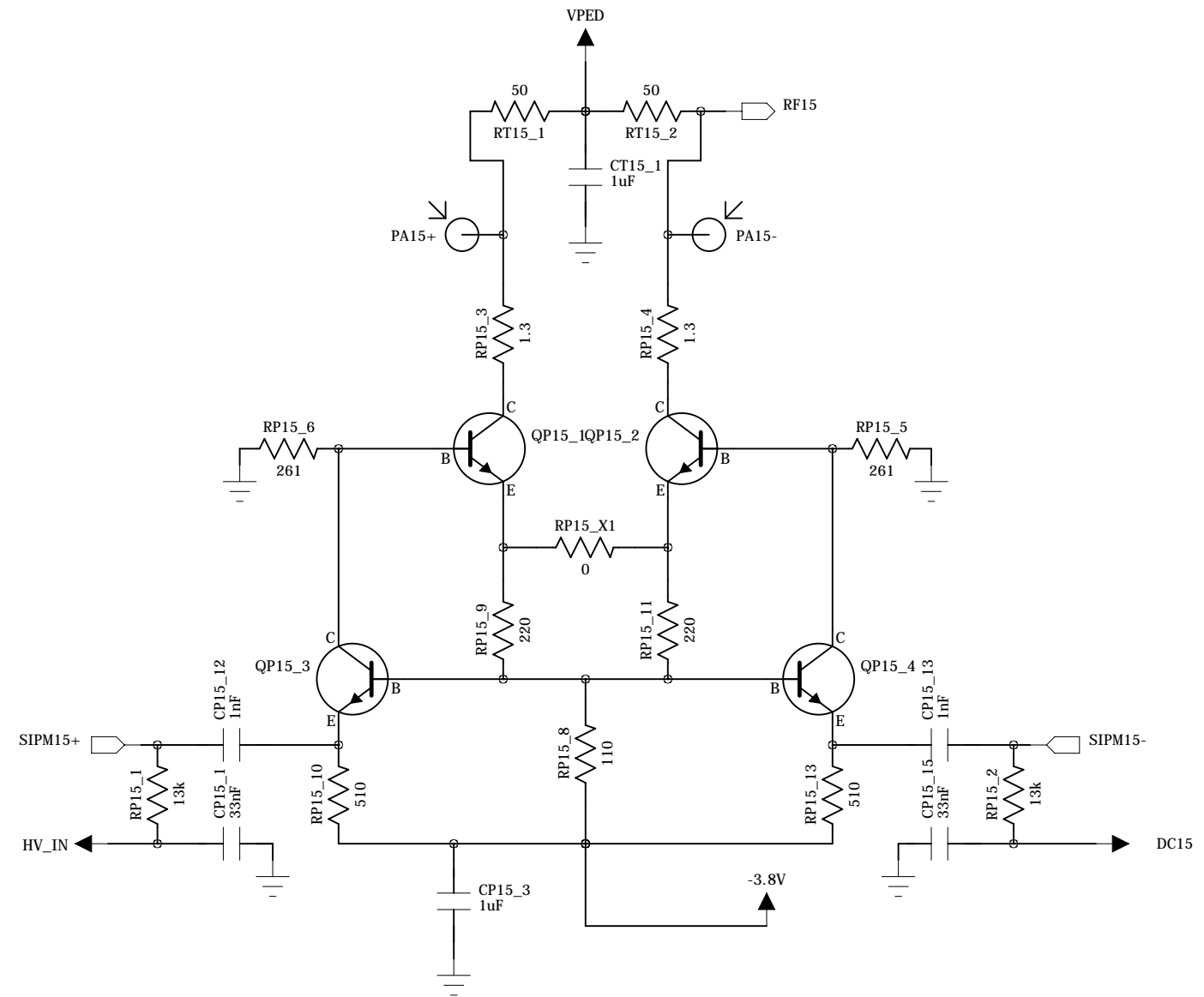
C

B

B

A

A



institution:	University of Hawaii at Manoa High Energy Physics Lab Instrumentation Development Lab
title:	TARGET6 SciFi Daughtercard
revision:	A
IDLAB design #:	IDL_13_011
circuit design:	GSV
PCB design:	GSV
sheet #:	17 of 19
sheet description:	PreAmp-15
date last modified:	October 25, 2013

E

E

D

D

C

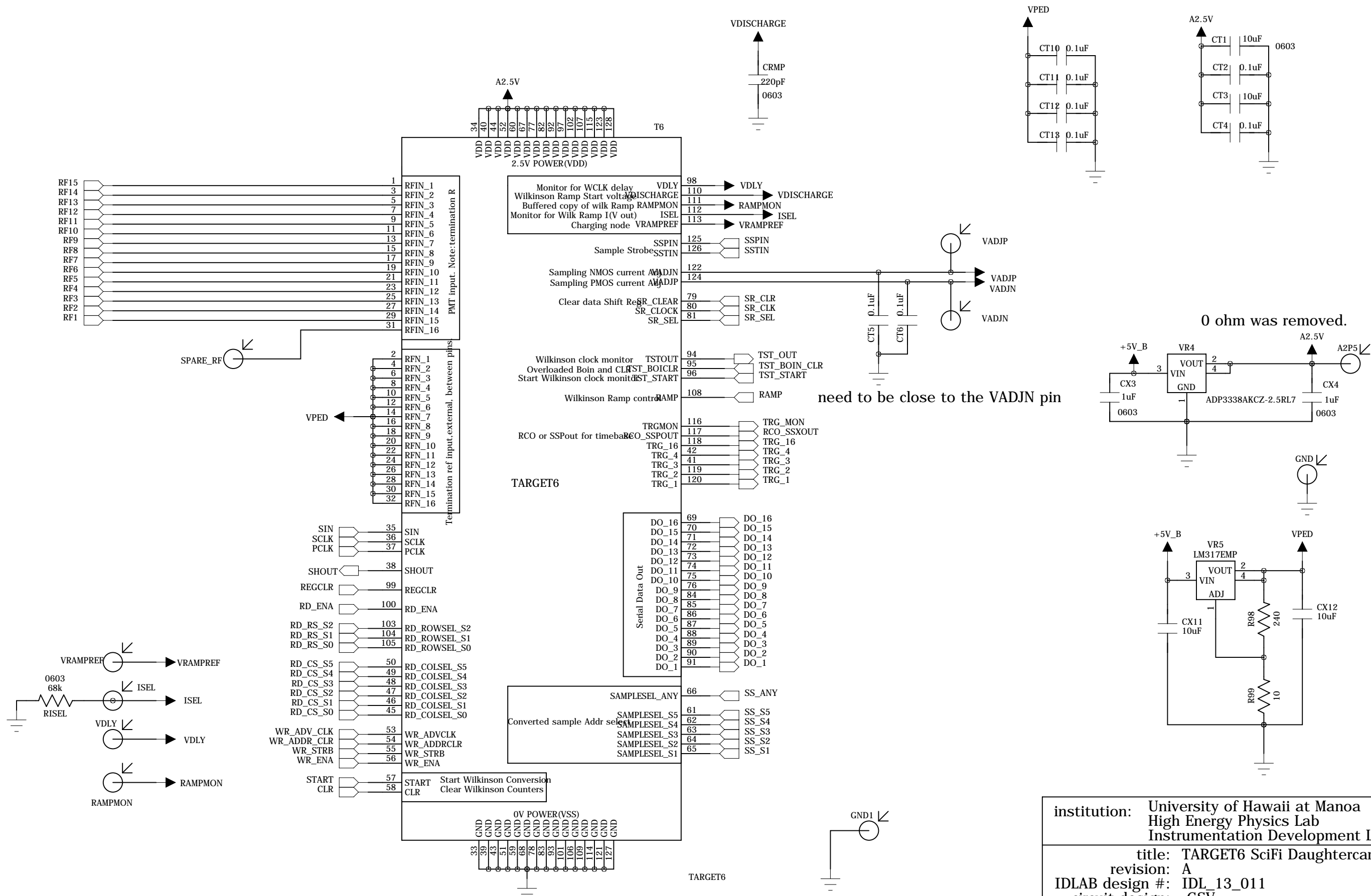
C

B

B

A

A



institution: University of Hawaii at Manoa
 High Energy Physics Lab
 Instrumentation Development Lab

title: TARGET6 SciFi Daughtercard
 revision: A
 IDLAB design #: IDL_13_011
 circuit design: GSV
 PCB design: GSV

sheet #: 18 of 19
 sheet description: TARGET6 ASIC
 date last modified: October 25, 2013

6

5

4

3

2

1

E

E

D

D

C

C

B

B

A

A

Will use -3.3V from a AC-DC power supply on the M.B.

institution:	University of Hawaii at Manoa High Energy Physics Lab Instrumentation Development Lab
title:	TARGET6 SciFi Daughtercard
revision:	A
IDLAB design #:	IDL_13_011
circuit design:	GSV
PCB design:	GSV
sheet #:	19 of 19
sheet description:	Power
date last modified:	October 25, 2013