

6

5

4

3

2

1

E

E

D

D

C

C

B

B

A

A

institution: University of Hawai`i at Manoa
High Energy Physics Group
Instrument Development Lab

title: RITC2_FMC_HPC
revision: A
IDLAB design #: IDL_12_038
circuit design: KAN, MZA
PCB design: KAN, MZA, ZC, AZ

sheet #: 1 of 4
sheet description: block diagram
date last modified: 2013-14-02

6

5

4

3

2

1

E

E

D

D

C

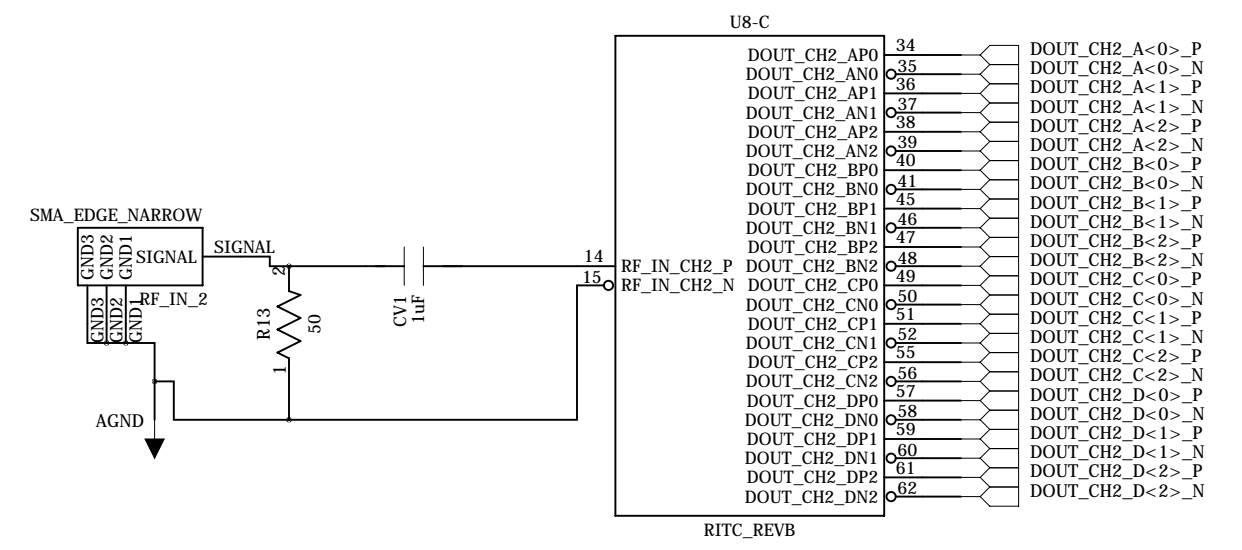
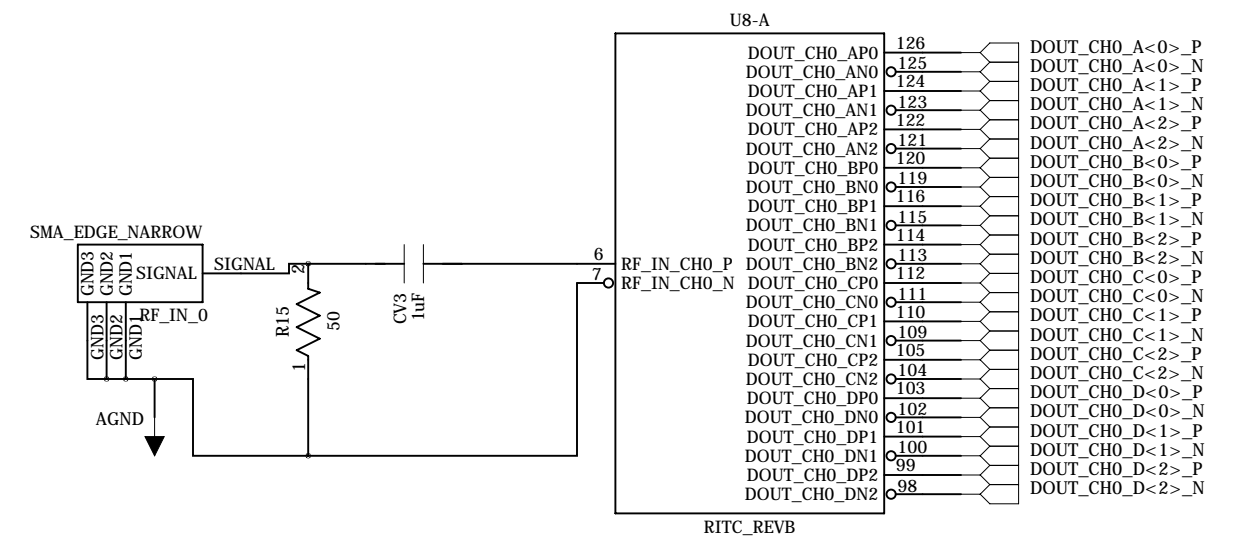
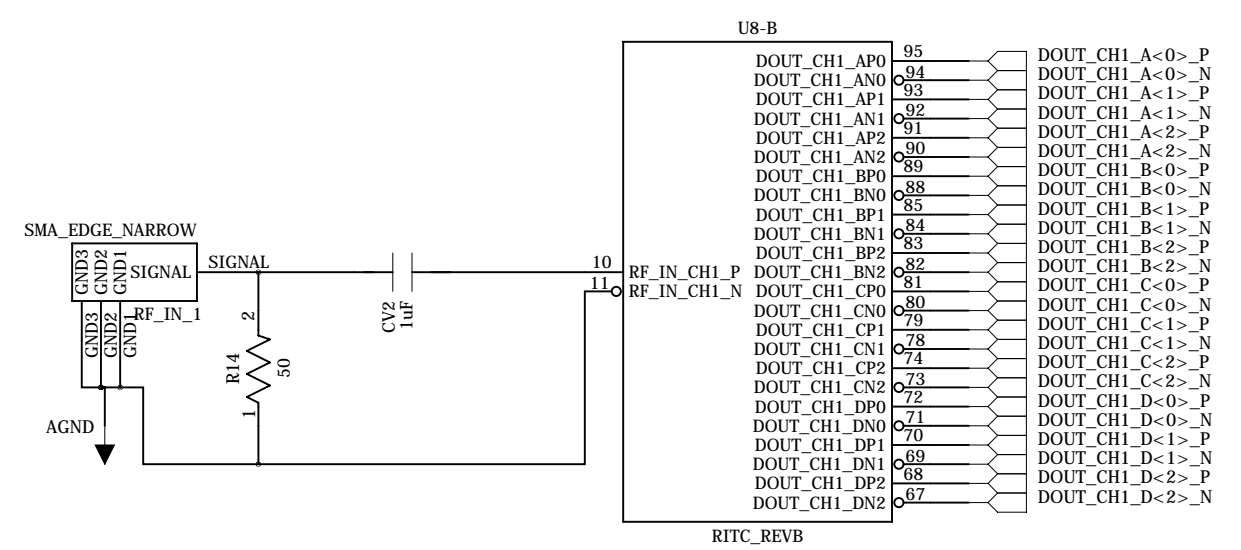
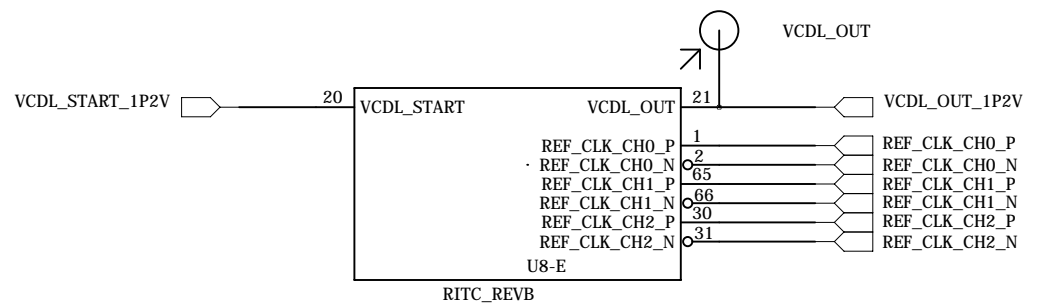
C

B

B

A

A



institution:	University of Hawai'i at Manoa High Energy Physics Group Instrument Development Lab
title:	RITC2_FMC_HPC
revision:	A
IDLAB design #:	IDL_12_038
circuit design:	KAN, MZA
PCB design:	KAN, MZA, ZC, AZ
sheet #:	2 of 4
sheet description:	RITC
date last modified:	2013-14-02

E

E

D

D

C

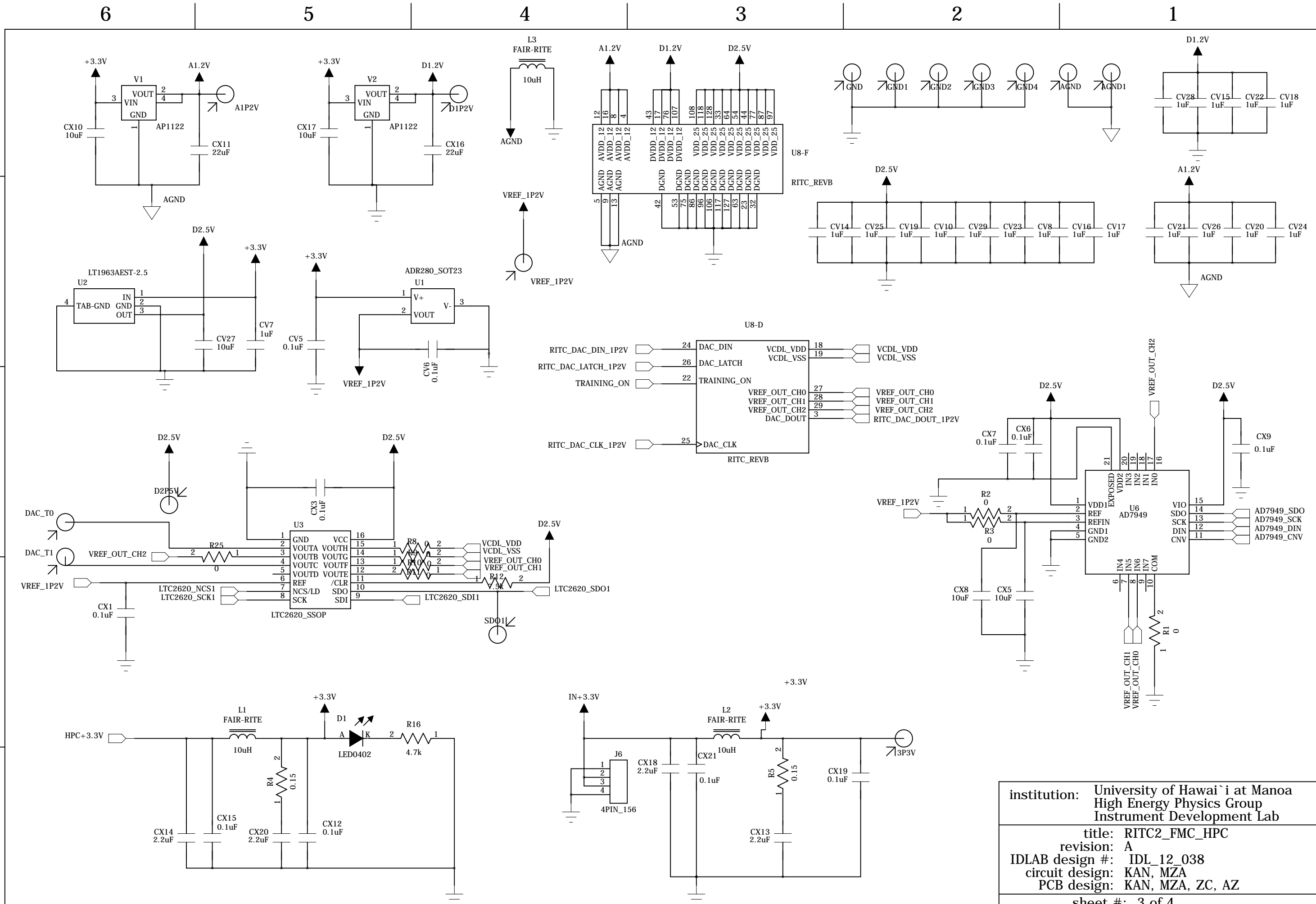
C

B

B

A

A



institution:	University of Hawai`i at Manoa High Energy Physics Group Instrument Development Lab
title:	RITC2_FMC_HPC
revision:	A
IDLAB design #:	IDL_12_038
circuit design:	KAN, MZA
PCB design:	KAN, MZA, ZC, AZ
sheet #:	3 of 4
sheet description:	POWER
date last modified:	2013-14-02

6

5

4

3

2

1

E

E

D

D

C

C

B

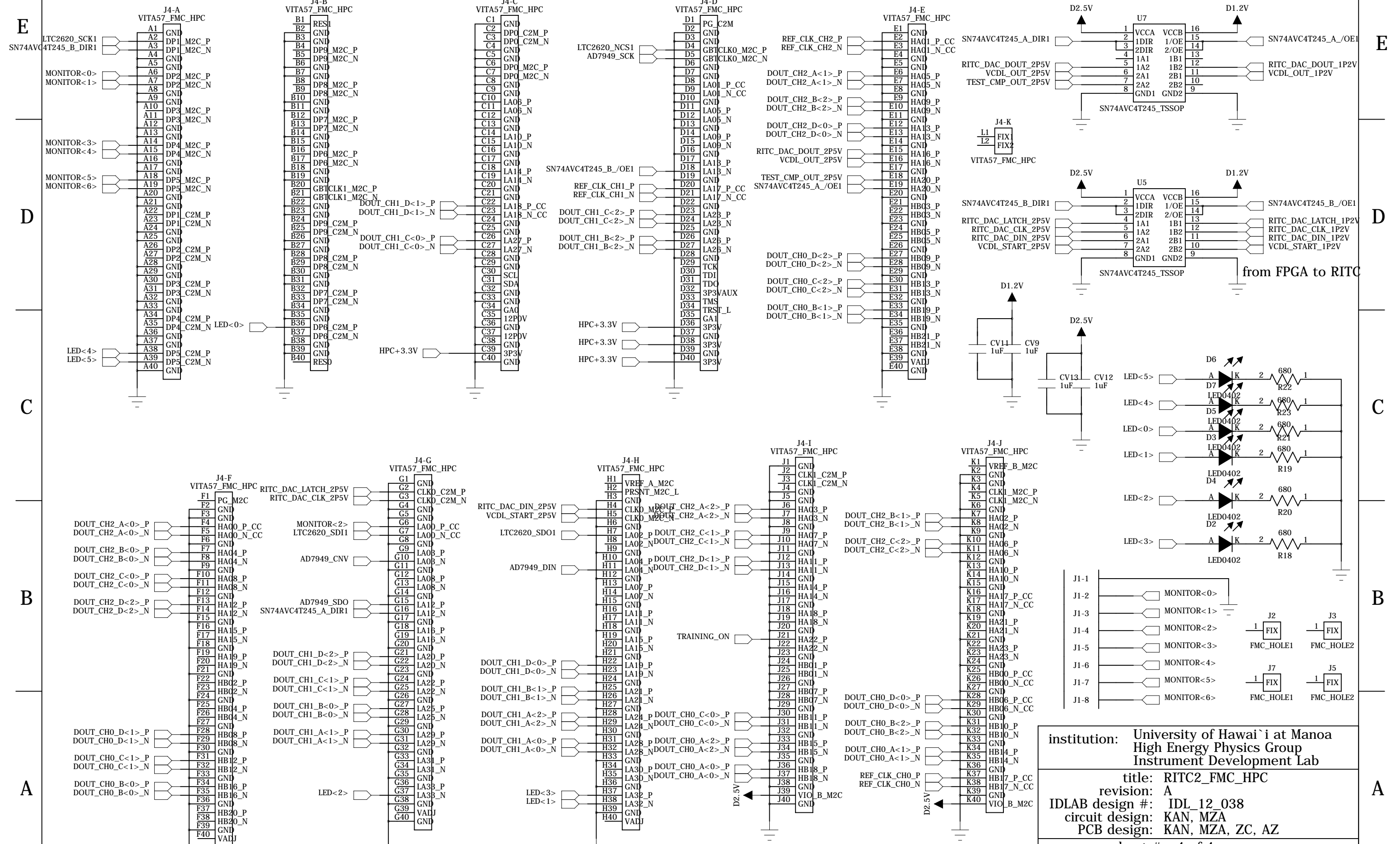
B

A

A

from RITC to FPGA

from FPGA to RITC



institution: University of Hawai'i at Manoa
 High Energy Physics Group
 Instrument Development Lab

title: RITC2_FMC_HPC
 revision: A
 IDLAB design #: IDL_12_038
 circuit design: KAN, MZA
 PCB design: KAN, MZA, ZC, AZ

sheet #: 4 of 4
 sheet description: FMC
 date last modified: 2013-14-02