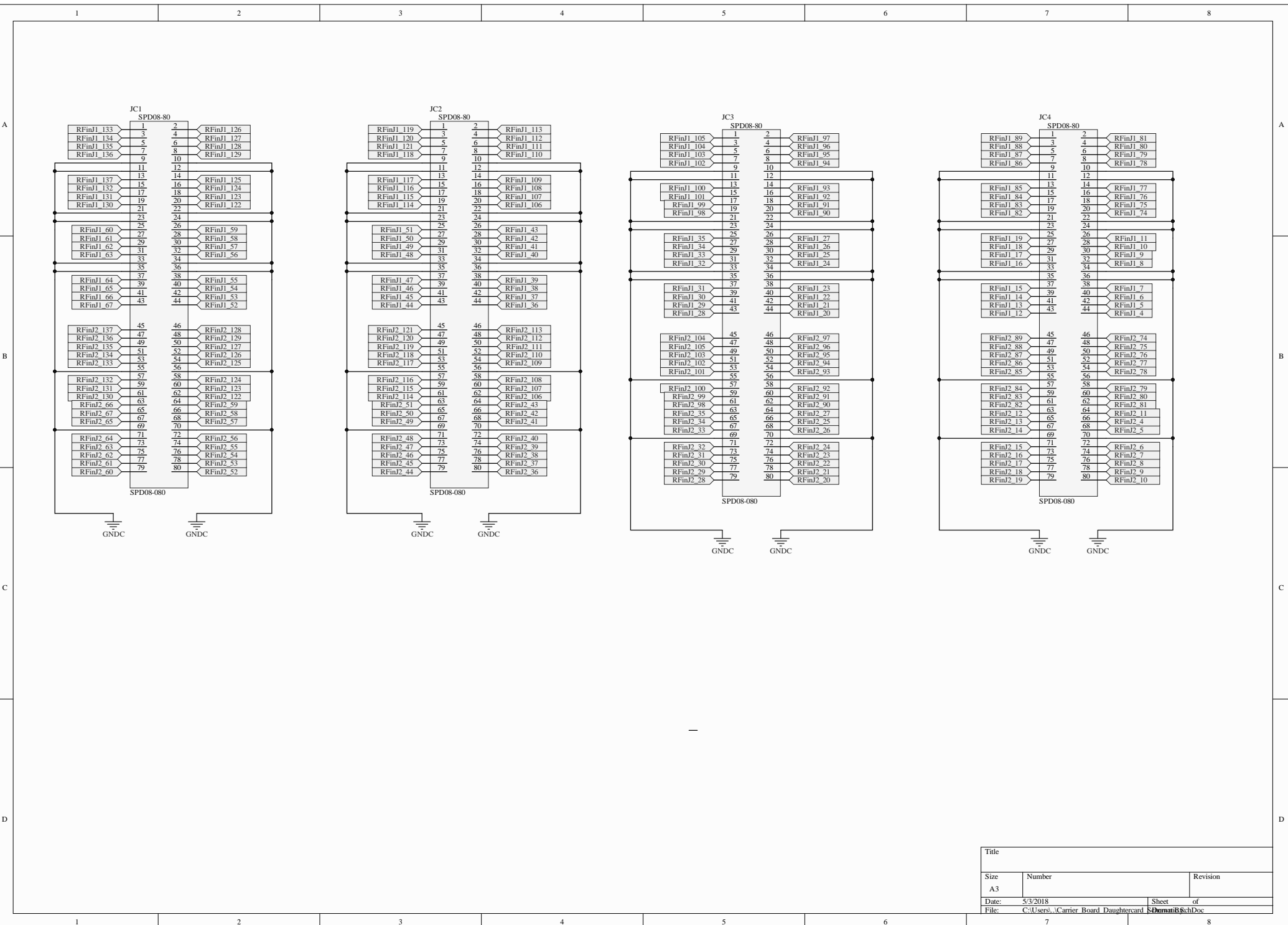
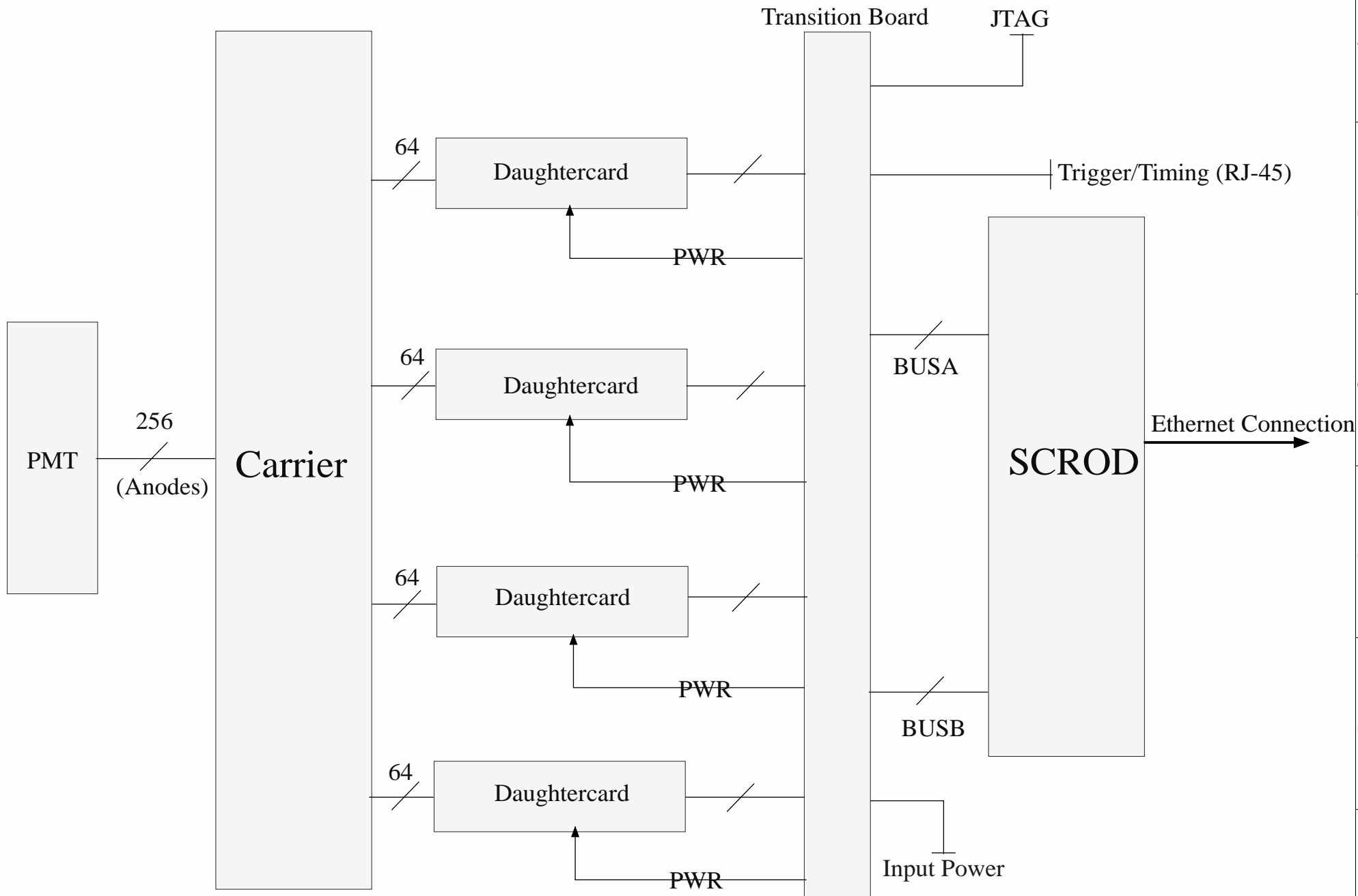


	A	B	C	D	E
1					
2					
3					
4					

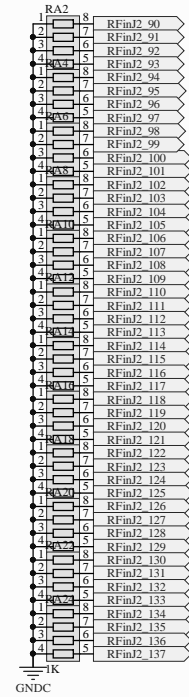
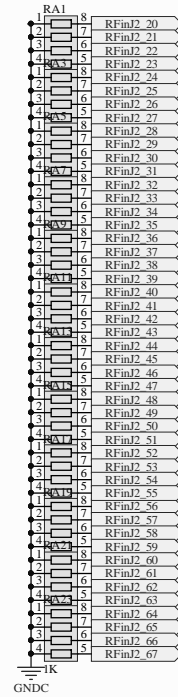
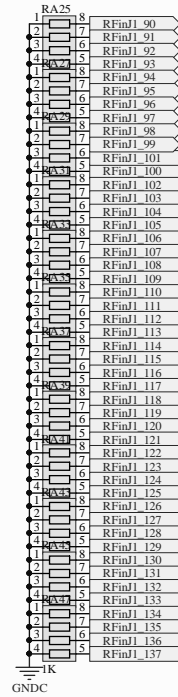
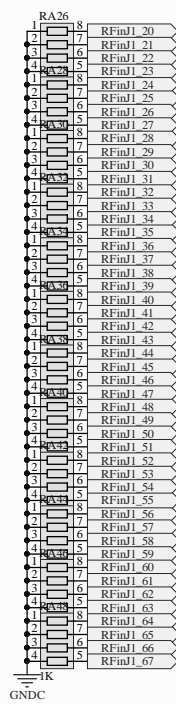


Title		
Size	Number	Revision
A3		
Date:	5/3/2018	Sheet of
File:	C:\Users\B.RichDoe\Documents\Carrier Board Daughtercard	



High Energy Physics Group, Instrumentation Development Lab		Designer: Designer	IDLAB design #: IDLnum
Board: BoardName	Drawn By: Drawn_By	Revision: RevNum	
Approved By: Approved_By	Variant: [No Variations]		
Sheet Title: mRICH Block Diagram	Modif. Date: 5/3/2018		
		Sheet * of *	





Title		
Size	Number	Revision
A3		
Date:	5/3/2018	Sheet of
File:	C:\Users\...Resistors.SchDoc	Drawn By:

A

A

B

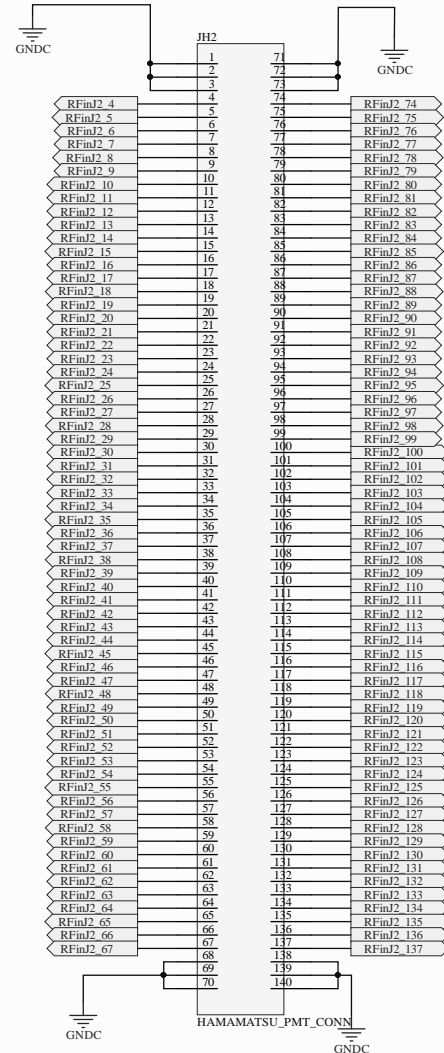
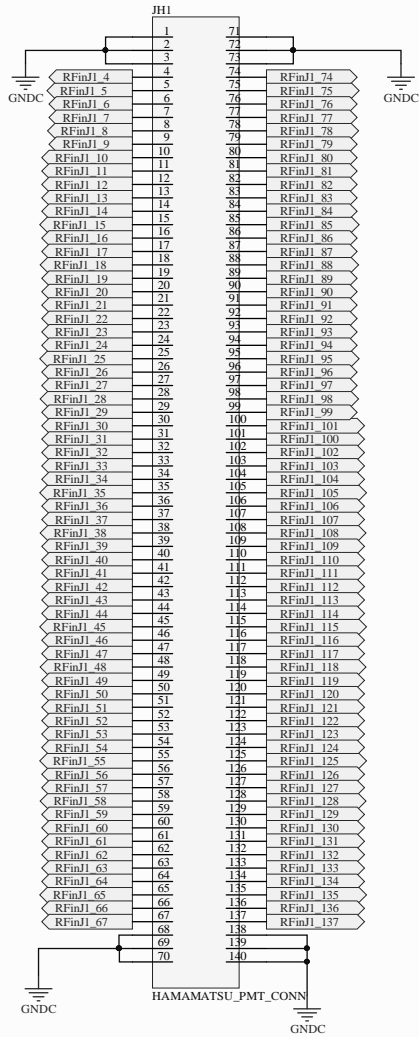
B

C

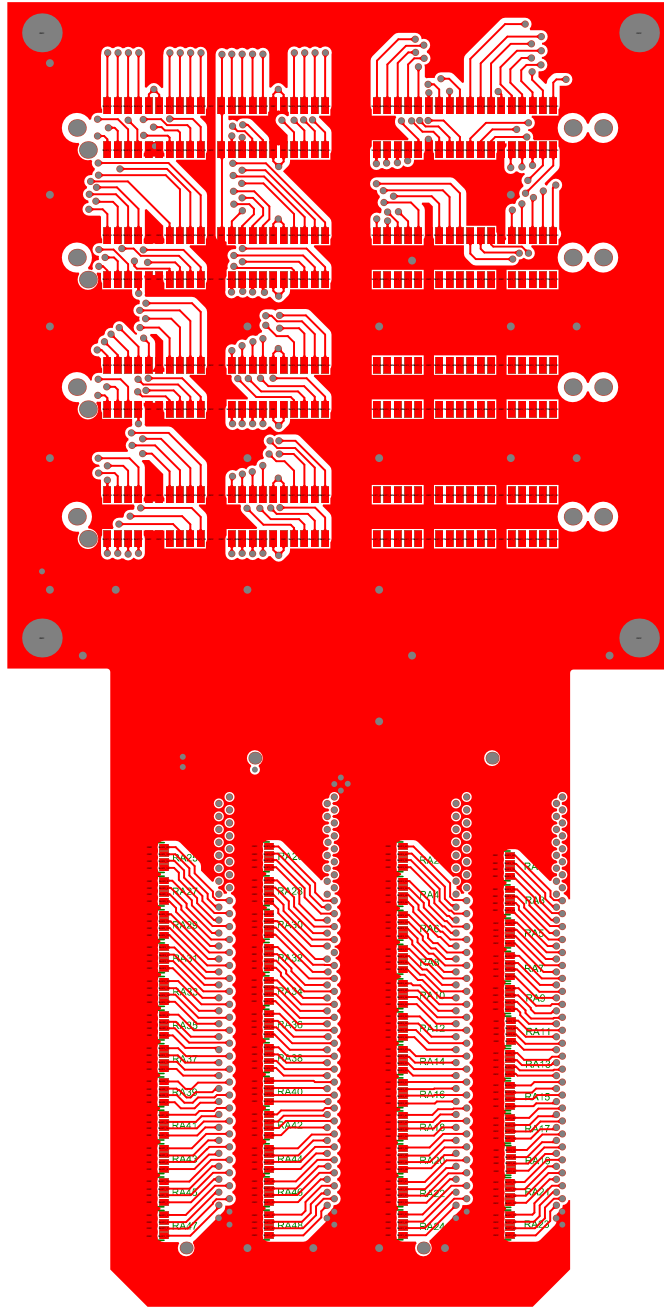
C

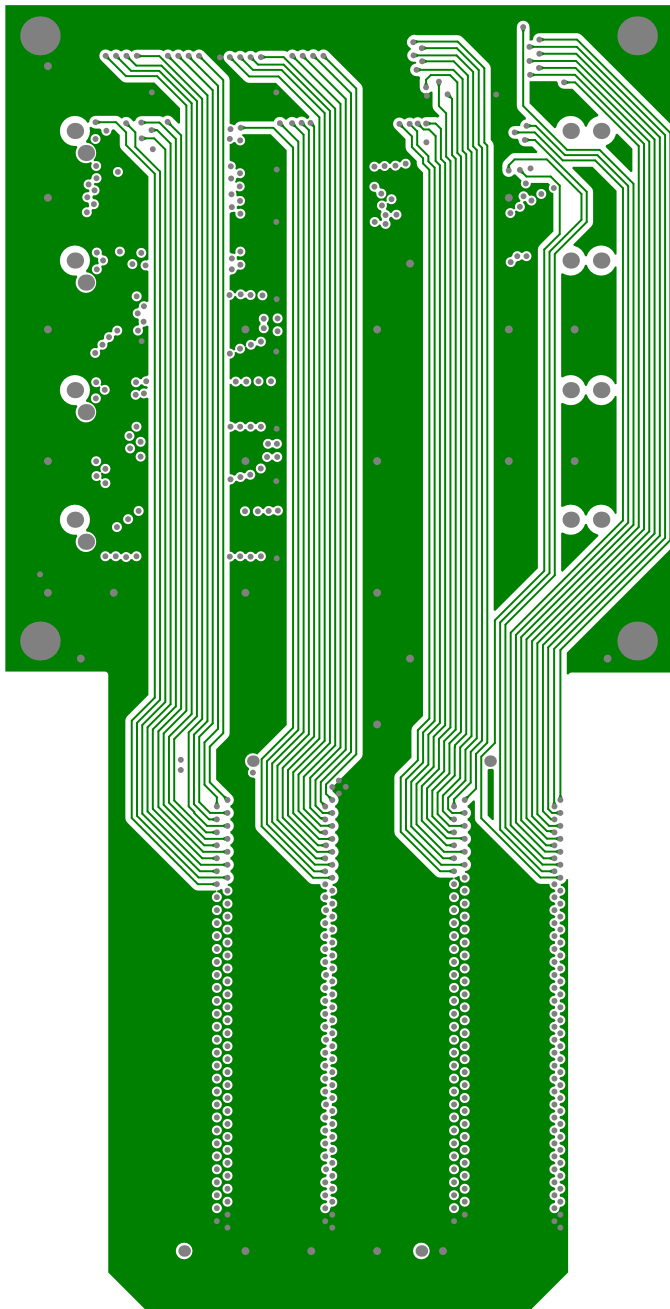
D

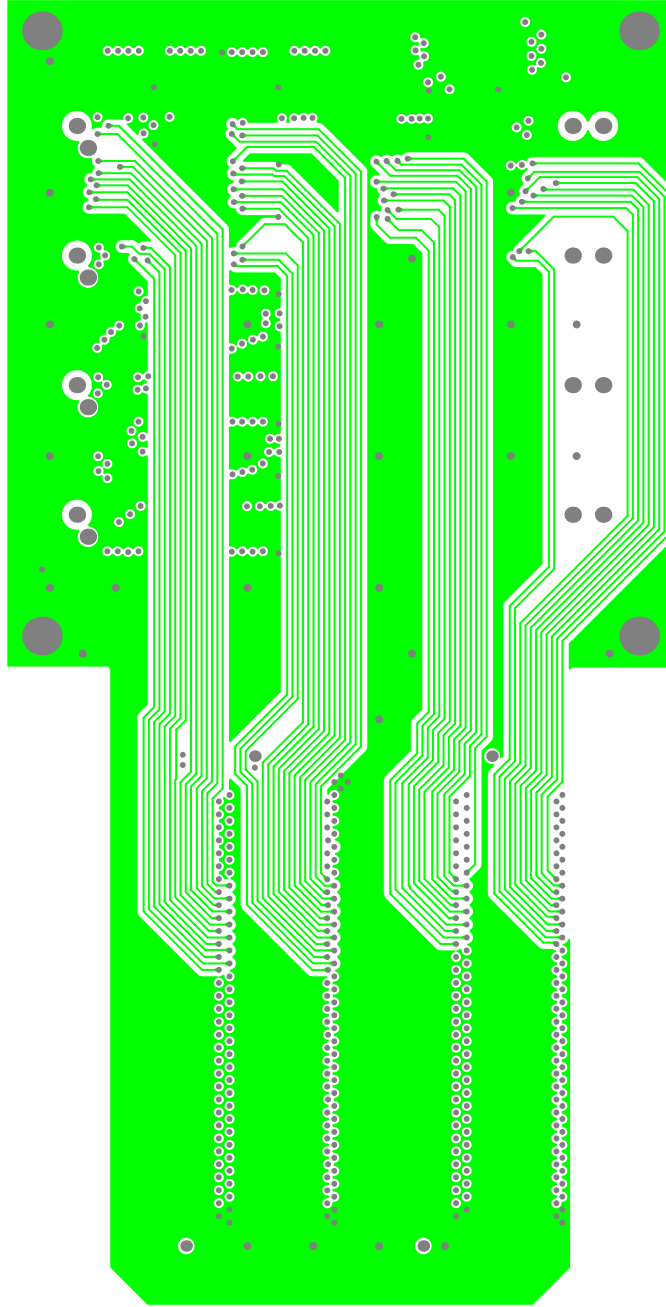
D

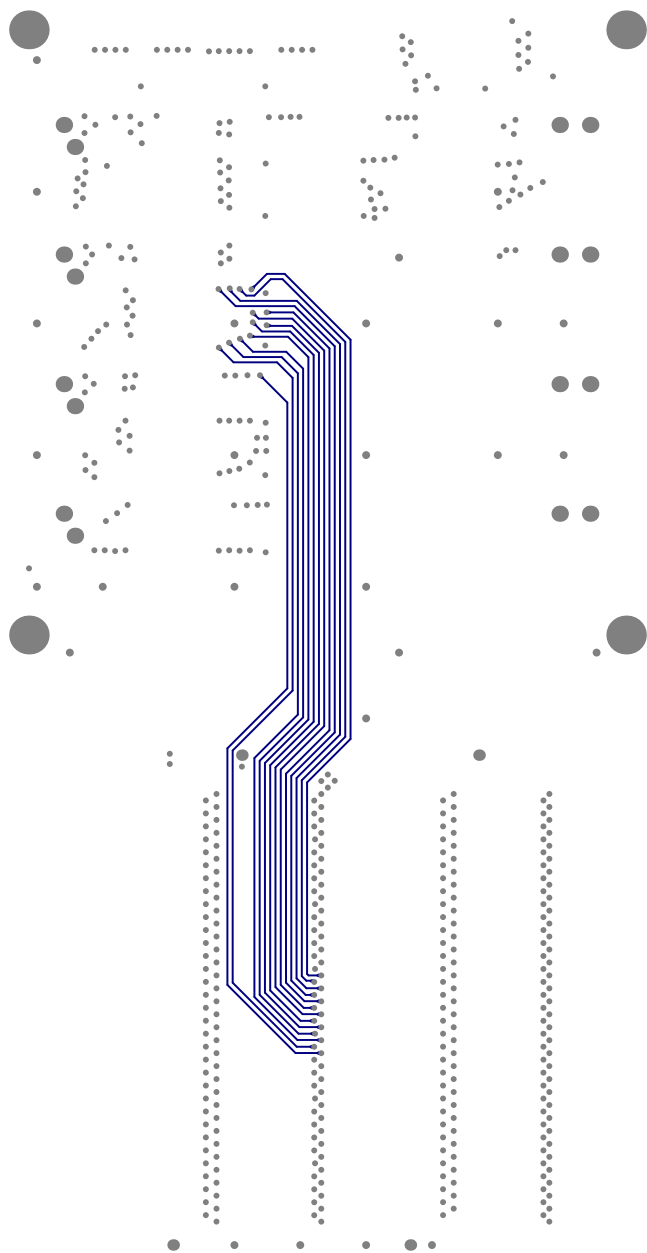


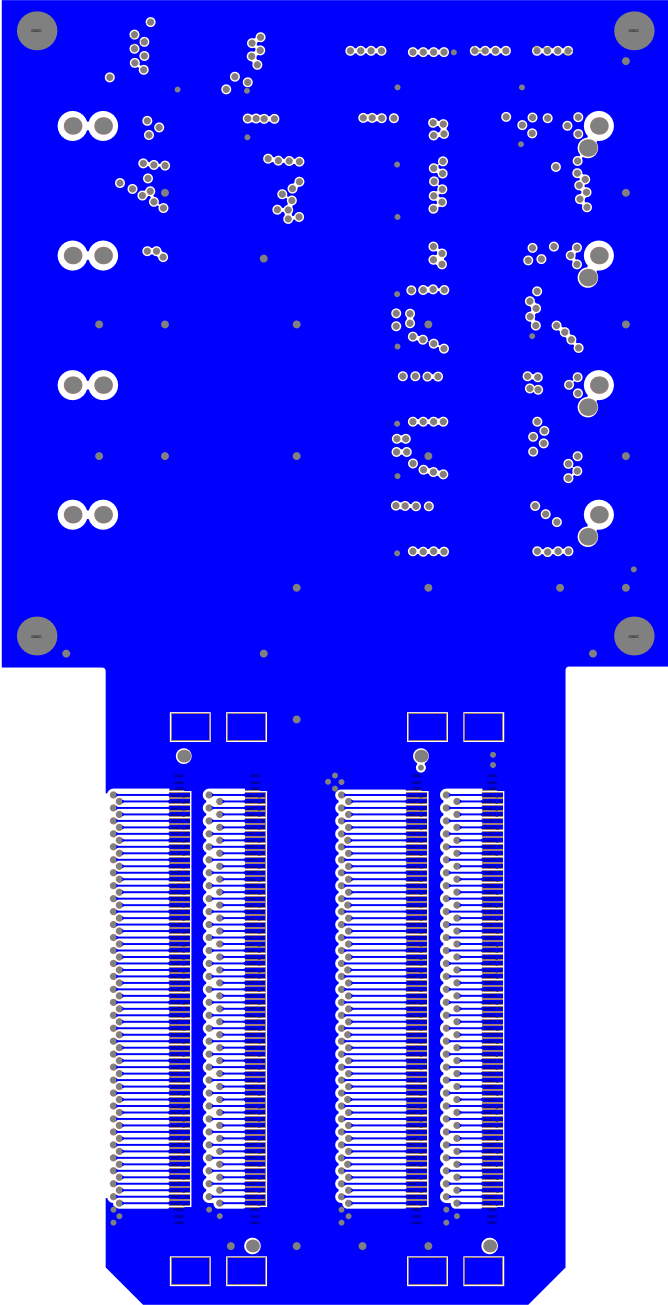
Title		
Size	Number	Revision
A3		
Date:	5/3/2018	Sheet of
File:	C:\Users\... \Sheet1.SchDoc	Drawn By:

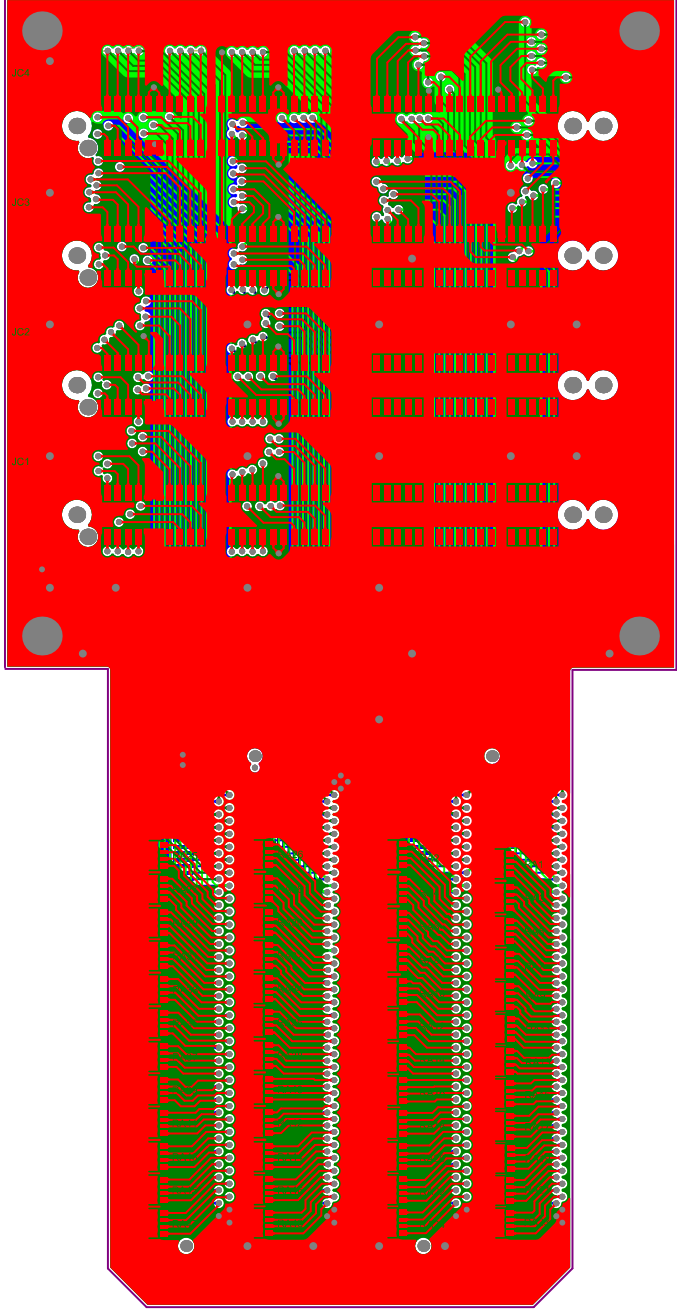












A

B

C

D

E

1

1

2

2

3

3

4

4

DATASHEET

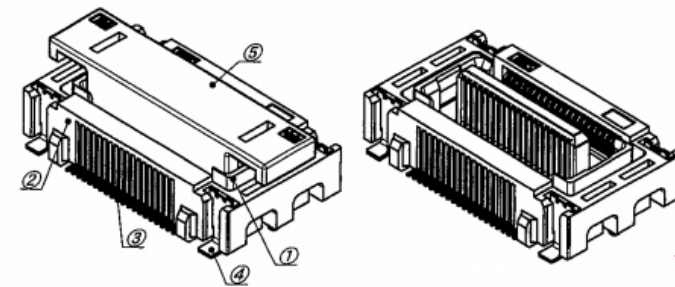
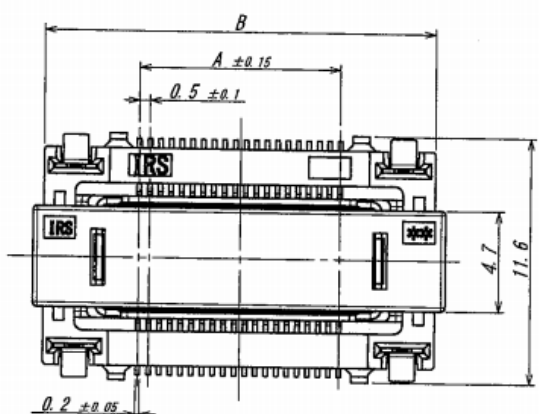
A

B

C

D

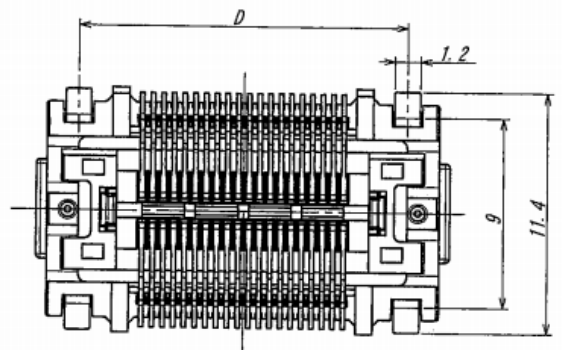
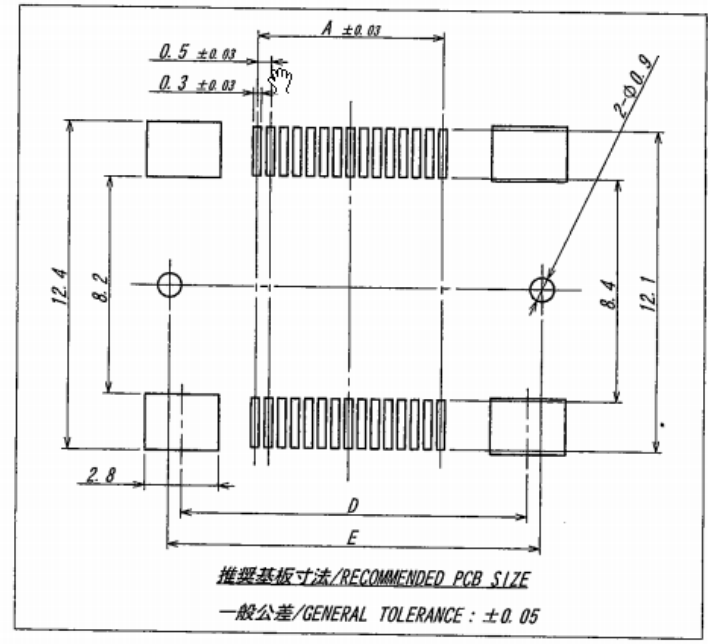
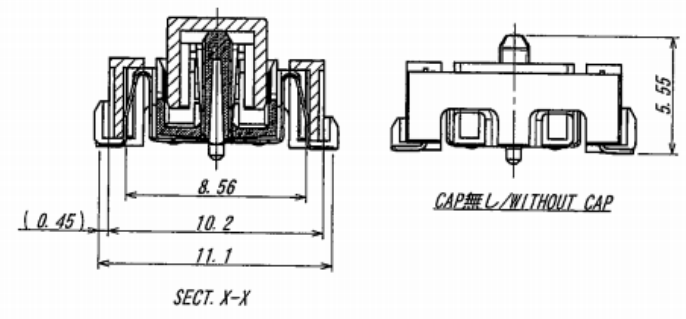
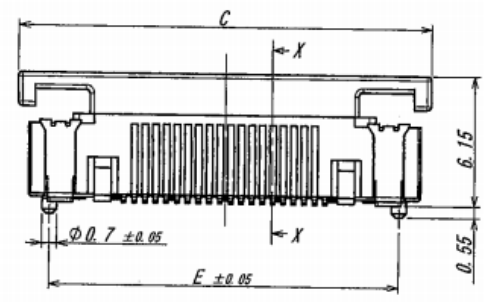
E



極数 CKT	製品番号 PRODUCTS No.	A	B	C	D	E
40	9984B-40B-GFN1	9.5	18.5	19.5	15.5	16.5
50	9984B-50B-GFN1	12.0	21.0	22.0	18.0	19.0
60	9984B-60B-GFN1	14.5	23.5	24.5	20.5	21.5
80	9984B-80B-GFN1	19.5	28.5	29.5	25.5	26.5
100	9984B-100B-GFN1	24.5	33.5	34.5	30.5	31.5
120	9984B-120B-GFN1	29.5	38.5	39.5	35.5	36.5
140	9984B-140B-GFN1	34.5	43.5	44.5	40.5	41.5

NOTE
1. コプラナリティ/COPLANARITY : 0.1max.

1. PMT SIDE CONNECTORS DATASHEET
Hamamasu
type: hi3700-03
no:pa0008



ISSUED
'13.6.18
IRISO
ENG. DEPT.

MATERIAL 材質 ①A-X/BASE: LCP BLACK UL94V-0 ②リテーナ/RETAINER: LCP BLACK UL94V-0 ③A-X/POST: ベリリウム銅/BERYLLIUM COPPER (t=0.12) ④補強板/METAL FLANGE: 黄銅/BRASS (t=0.2) ⑤キャップ/CAP: PA9T BLACK UL94V-0				GENERAL TOLERANCES 一般公差 DIM 寸法 ± 0.3 ANGLE 角度 ± —		SCALE 尺度 / DR '13-6-14 T. Nakayama CHR 13 1/4 K. Kobayashi		UNIT 単位 mm DSN '10-10-14 D. Funayama APP 1/3 1/4 M. Takagi		TITLE 名称 9984シリーズ プラグ SERIES 9984 PLUG	
FINISH 仕上り ①A-X/POST: Ni下地/OVER Ni PLATE: 2μmMIN ②キャップ/GOLD PLATE ③接点部/CONTACT: 0.1μmMIN ④平坦部/TAIL: 0.03~0.12μm ⑤補強板/METAL FLANGE: Ni下地/OVER Ni PLATE: 1.5~3.5μm ⑥鍍金部/SEMI-GLOSS TIN PLATE: 3~6μm				SRD. ANG. PROJ. 三角法		IRISO ELECTRONICS CO., LTD 伊予電子工業株式会社		EDIP No PARTS No 部番 IMSA-9984B-**B-GFN1		DWG No 図番 110-209984-002	
NOTE REV 3994T RELEASED T. N. K. Y. '13-6-14 D. F. S. M. '10-10-14				DATE 年月日		DR CHK		REV.		1	

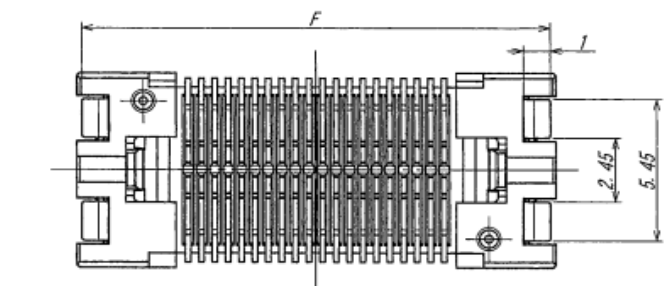
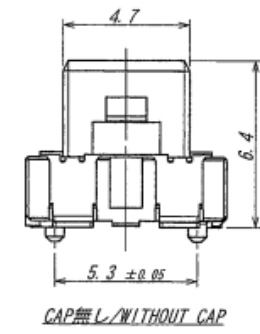
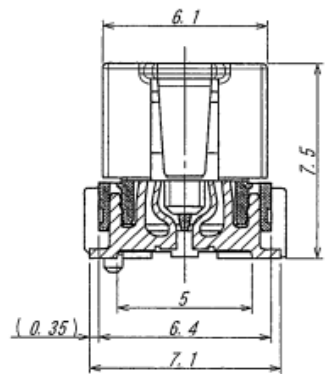
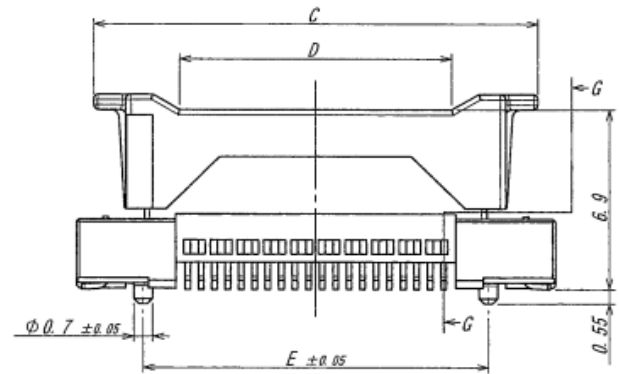
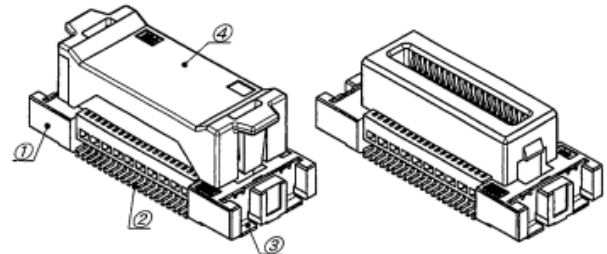
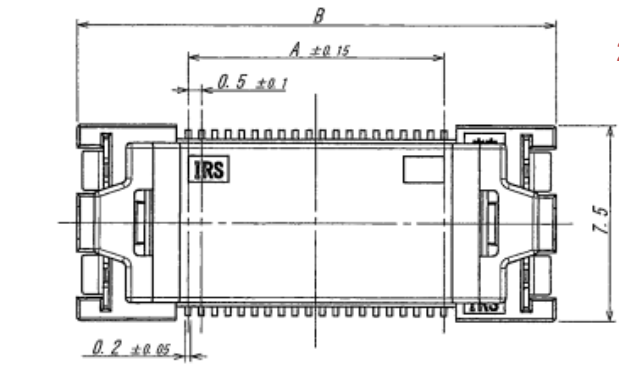
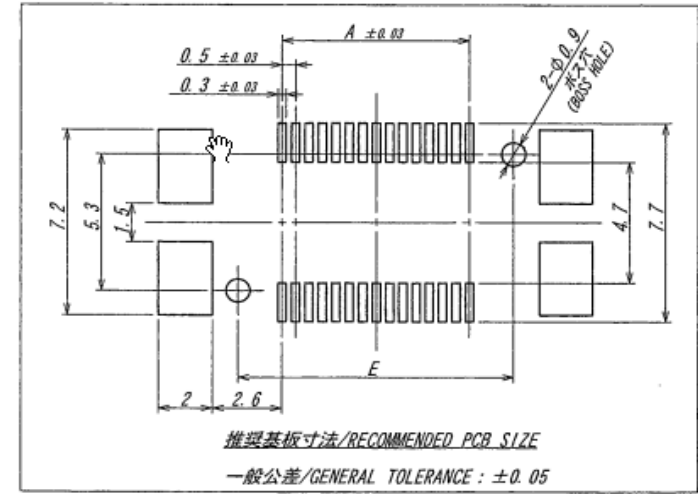
DO NOT SCALE DRAWING.
THIS DRAWING CONTAINS INFORMATION THAT IS PROPRIETARY TO IRISO AND SHOULD NOT BE REPRODUCED OR TRANSMITTED IN ANY FORM OR BY ANY MEANS, ELECTRONIC OR MECHANICAL, INCLUDING PHOTOCOPYING, RECORDING, OR BY ANY INFORMATION STORAGE AND RETRIEVAL SYSTEM.

2. PCB SIDE CONNECTORS DATASHEET.

極数 CKT	製品番号 PRODUCTS No.	A	B	C	D	E	F
40	9984S-40E*-GFN1	9.5	17.8	16.5	10.1	12.8	17.4
50	9984S-50E*-GFN1	12.0	20.3	19.0	12.6	15.3	19.9
60	9984S-60E*-GFN1	14.5	22.8	21.5	15.1	17.8	22.4
80	9984S-80E*-GFN1	19.5	27.8	26.5	20.1	22.8	27.4
100	9984S-100E*-GFN1	24.5	32.8	31.5	25.1	27.8	32.4
120	9984S-120E*-GFN1	29.5	37.8	36.5	30.1	32.8	37.4
140	9984S-140E*-GFN1	34.5	42.8	41.5	35.1	37.8	42.4

製品番号 PRODUCTS No.	ボス BOSS
9984S-**EA-GFN1	無し/WITHOUT
9984S-**EB-GFN1	有り/WITH

NOTE
1. コプラナリティ/COPLANARITY : 0.1max.



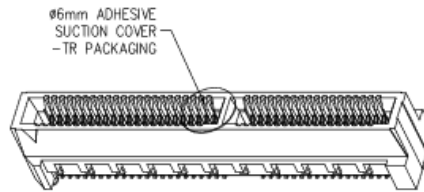
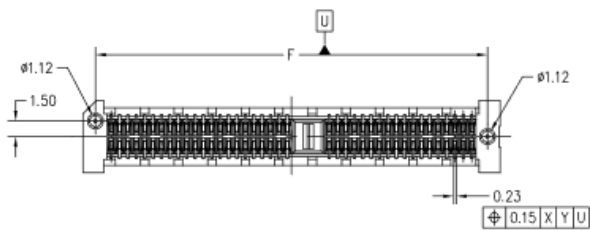
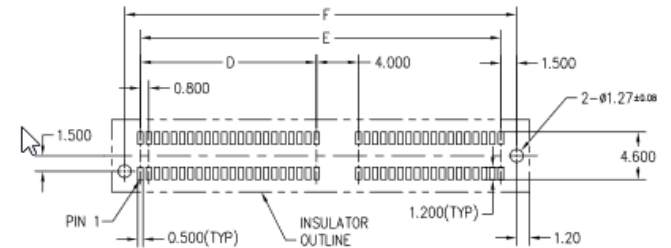
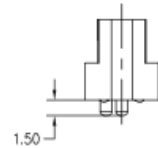
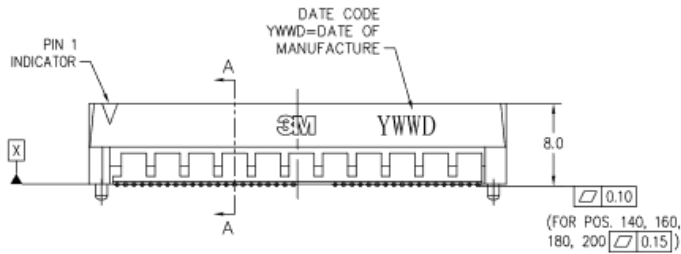
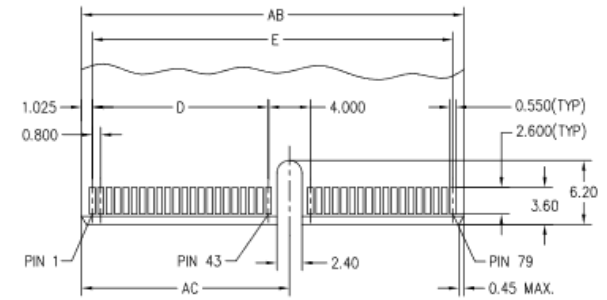
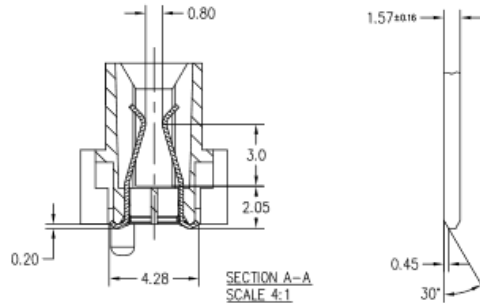
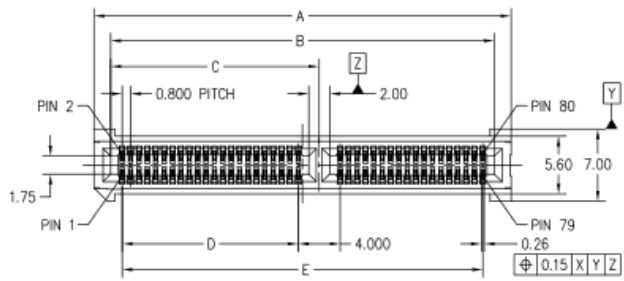
MATERIAL 材質 ①ハウジング/HOUSING: LCP BLACK UL94V-0 ②ソケット/CONTACT: 5%ニッケル/PHOSPHOR BRONZE (t=0.2) ③補強板/METAL FLANGE: 黄銅/BRASS (t=0.2) ④トップ/CAP: PAST BLACK UL94V-0				GENERAL TOLERANCES 一般公差 DIM 寸法 ± 0.3 ANGLE 角度 ± —		SCALE 尺度 / UNIT 単位 mm DR '16-5-24 T. Haga CHK 7/6 5/26 M. Takagi DSN '13-1-29 D. Funayama APP 20.6.5.26 U. Joo		TITLE 名称 9984シリーズ ソケット SERIES 9984 SOCKET EDP No PARTS No 部番 IMSA-9984S-**E*-GFN1 DWG No 図番 110-109984-009 REV. 2	
FIRISH 仕上り ①ソケット/CONTACT: Ni下地/OVER Ni PLATE 2.0µm MIN ②ハウジング/HOUSING: 黒色/BLACK 0.15mm MIN ③補強板/METAL FLANGE: 黄銅/BRASS 0.05~0.12mm ④トップ/CAP: 黒色/BLACK 0.05~0.12mm ⑤ソケット/CONTACT: 5%ニッケル/PHOSPHOR BRONZE ⑥ハウジング/HOUSING: LCP BLACK UL94V-0 ⑦ソケット/CONTACT: Ni下地/OVER Ni PLATE 1.5~2.5µm ⑧補強板/METAL FLANGE: 黄銅/BRASS 0.05~0.12mm				3RD. ANG. PROJ. 三角法		IRISO ELECTRONICS CO., LTD 伊豆電子工業株式会社			

DO NOT SCALE DRAWING. THIS DRAWING CONTAINS INFORMATION THAT IS PROPRIETARY TO IRISO AND SHOULD NOT BE USED WITHOUT WRITTEN PERMISSION. 本図面に記載された情報は、伊豆電子工業株式会社の知的財産であり、無断で複製、転載、または第三者に提供することを禁じます。

3M™ HIGH SPEED CARD-EDGE CONNECTOR, SPD08 SERIES

3. DC TO PMT CONNECTION (SECOND PAGE IS VARIENT COMPONENTS)

FIG. 2
FOR POSITIONS 050, 080, 100, 120,
140, 160, 180, 200, W/O LATCH TYPE
(SHOWN: SPD08-080-XX-TR)

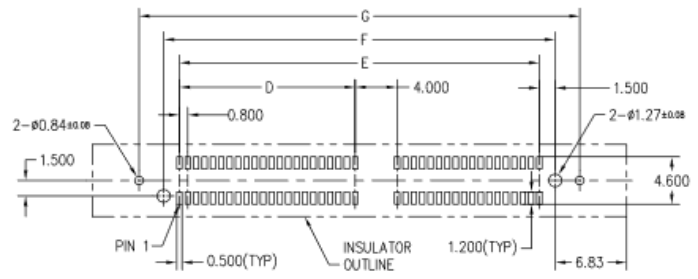
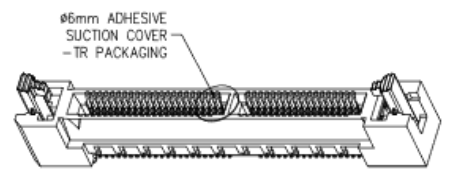
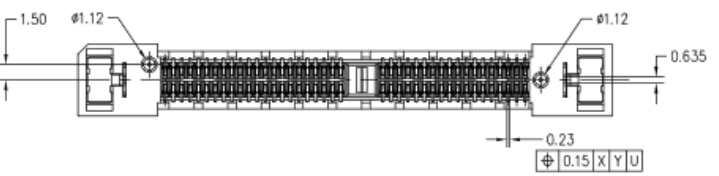
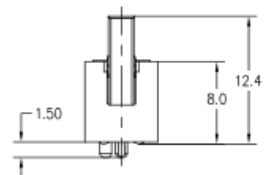
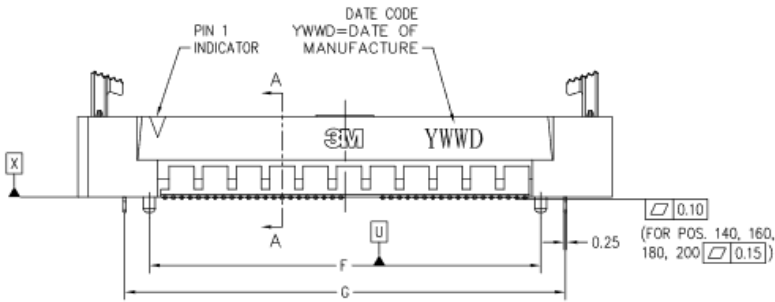
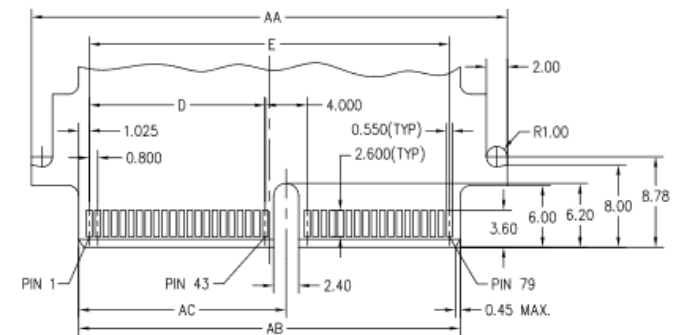
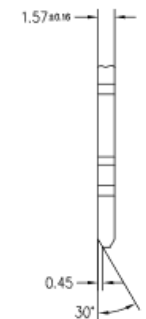
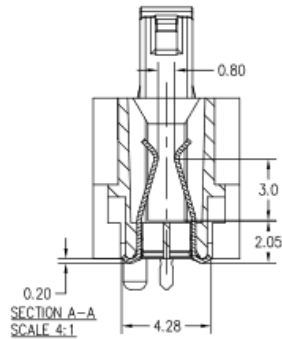
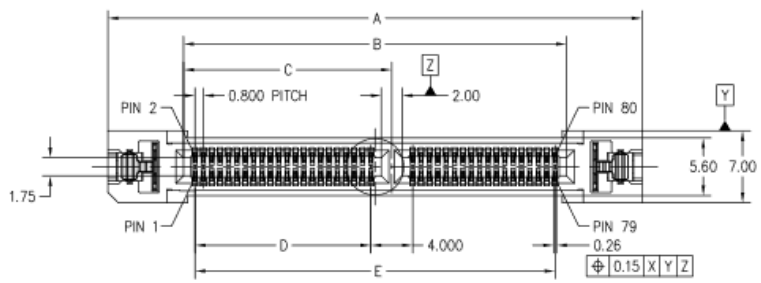


POSITIONS	DIMENSIONS							
	A	B	C	D	E	F	AB	AC
50	27.80	24.60	7.10	4.000	22.400	25.40	24.45	7.025
80	39.80	36.60	19.90	16.800	34.400	37.40	36.45	19.825
100	47.80	44.60	23.90	20.800	42.400	45.40	44.45	23.825
120	55.80	52.60	27.90	24.800	50.400	53.40	52.45	27.825
140	63.80	60.60	27.90	24.800	58.400	61.40	60.45	27.825
160	71.80	68.60	27.90	24.800	66.400	69.40	68.45	27.825
180	79.80	76.60	27.90	24.800	74.400	77.40	76.45	27.825
200	87.80	84.60	27.90	24.800	82.400	85.40	84.45	27.825

DESIGN REFERENCE	NEXT ASSEMBLY	REV	ECO	ISSUE DATE AND DESCRIPTION	DRFT	CHKD
				05/11/11		
DISTRIBUTION CODES		DRFT	K.D. LIU	DATE	MFG	DATE
		CHKD		DATE	APPL	DATE
DIVISION	ESD	DIVISION CODE	© 3M COPYRIGHT			
DO NOT SCALE DRAWING	SCALE 2:1	TOLERANCES EXCEPT AS NOTED	This document is the copyrighted property of the 3M Company and may not be reproduced without 3M written permission or used for other than 3M authorized purposes.			
THIRD ANGLE PROJECTION		INCHES	TITLE			
INTERPRET PER ASME Y14.5 - 1994		MILLIMETERS	SPD08 HIGH SPEED CARD EDGE CONNECTOR, 0.8MM PITCH SMT			
MAX SURFACE ROUGHNESS		0 ± 0.50	CAGE NUMBER	SIZE	DRAWING NO.	REV.
<input type="checkbox"/> ALL SURFACES		0 ± 0.20	C	78-5100-2420-7	B	
<input checked="" type="checkbox"/> MARKED ONLY		0.00 ± 0.10	MODEL	DET LISTS	<input type="checkbox"/> YES <input type="checkbox"/> NO	SHT 2 OF 4
		0.000 ± 0.05				
		ANGLES ± 3°				

3M™ HIGH SPEED CARD-EDGE CONNECTOR, SPD08 SERIES

FIG. 4
FOR POSITIONS 050, 080, 100, 120,
140, 160, 180, 200, WITH LATCH TYPE
(SHOWN: SPD08-080-L-XX-TR)



POSITIONS	DIMENSIONS									
	A	B	C	D	E	F	G	AA	AB	AC
50	39.05	24.60	7.10	4.000	22.400	25.40	30.10	33.45	24.45	7.025
80	51.05	36.60	19.90	16.800	34.400	37.40	42.10	45.45	36.45	19.825
100	59.05	44.60	23.90	20.800	42.400	45.40	50.10	53.45	44.45	23.825
120	67.05	52.60	27.90	24.800	50.400	53.40	58.10	61.45	52.45	27.825
140	75.05	60.60	27.90	24.800	58.400	61.40	66.10	69.45	60.45	27.825
160	83.05	68.60	27.90	24.800	66.400	69.40	74.10	77.45	68.45	27.825
180	91.05	76.60	27.90	24.800	74.400	77.40	82.10	85.45	76.45	27.825
200	99.05	84.60	27.90	24.800	82.400	85.40	90.10	93.45	84.45	27.825

DESIGN REFERENCE	NEXT ASSEMBLY	REV	ECO	ISSUE DATE AND DESCRIPTION	DRFT	CHKD
(DISTRIBUTION CODES)		DRFT	K.D. LIU	DATE 05/11/11	MFG	DATE
		CHGD		DATE	APPL	DATE
DIVISION ESD	DIVISION CODE	© 3M COPYRIGHT This document is the copyrighted property of the 3M Company and may not be reproduced without 3M written permission or used for other than 3M authorized purposes.				
DO NOT SCALE DRAWING	SCALE 2:1	TOLERANCES EXCEPT AS NOTED INCHES .0 .00 ± .000 ± .0000 ±				
THIRD ANGLE PROJECTION	INTERPRET PER ASME Y14.5 - 1994	MILLIMETERS 0 ± 0.50 .0 ± 0.20 .00 ± 0.10 .000 ± 0.05				
MAX SURFACE ROUGHNESS	<input type="checkbox"/> ALL SURFACES <input checked="" type="checkbox"/> MARKED ONLY	ANGLES ± 3°				
TITLE		CAGE NUMBER		DRAWING NO.		REV.
SPD08 HIGH SPEED CARD EDGE CONNECTOR, 0.8MM PITCH SMT		C		78-5100-2420-7		B
MODEL		DET		LISTS		SHT 4 OF 4

Design Rules Verification Report

Filename : C:\Users\khanhle\Desktop\Projects\IDL_18_010-mRICH_Carrier_Boards with only one carrier routed\IDL_018_010-mRICH_Carrier_Boards_pcb\Carrier Board Final_cleaning_018_010.mcbDoc

Warnings 1
Rule Violations 0

Warnings	
Design contains shelved or modified (but not repoured) polygons. The result of DRC is not correct. Recommended	1
Total	1

Rule Violations	
Clearance Constraint (Gap=6mil) (InAnyDifferentialPair or InNetClass('INPUT')),(InNamedPolygon('L4_5VAN'))	0
Clearance Constraint (Gap=6mil) (All),(All)	0
Clearance Constraint (Gap=20mil) (Disabled)(Iskeepout),(All)	0
Clearance Constraint (Gap=5mil) (IsStitchingVia and InNet('GND')),(IsVia and (Not IsStitchingVia)) Or IsPa	0
Clearance Constraint (Gap=20mil) (InNetClass('RF') or InNet('HV_BIAS'))	0
Clearance Constraint (Gap=8mil) (InNamedPolygon('L4_5VAN') or InNamedPolygon('L3_5VAP'))	0
Short-Circuit Constraint (Allowed=No) (All),(All)	0
Width Constraint (Min=6mil) (Max=6mil) (Preferred=6mil) (All)	0
Width Constraint (Min=1mil) (Max=10mil) (Preferred=2mil) (HasFootprint('ITECH_LOGO'))	0
Power Plane Connect Rule(Direct Connect)(Expansion=20mil) (Conductor Width=10mil) (Air Gap=10mil) (Entries=	0
Power Plane Connect Rule(Direct Connect)(Expansion=12mil) (Conductor Width=15mil) (Air Gap=8mil) (Entries=	0
Minimum Annular Ring (Minimum=4mil) (All)	0
Hole Size Constraint (Min=8mil) (Max=129.921mil) (All)	0
Hole To Hole Clearance (Gap=10mil) (All),(All)	0
Height Constraint (Min=0mil) (Max=1000mil) (Preferred=500mil) (Disabled)(All)	0
Total	0

Design contains shelved or modified (but not repoured) polygons. The result of DRC is not correct. Recommended to	
Polygon named: L1 In net GNDC On L1	