

E

D

C

B

A

E

D

C

B

A

6

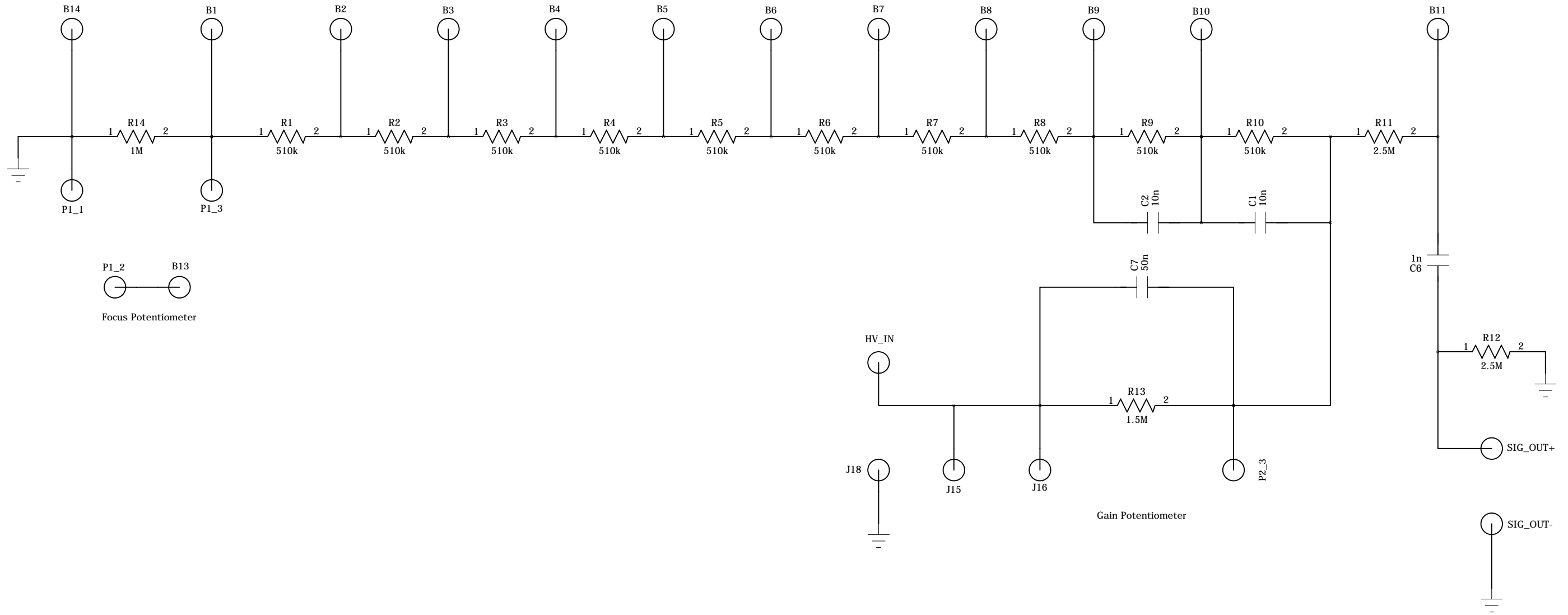
5

4

3

2

1



institution:	University of Hawaii at Manoa High Energy Physics Lab Instrumentation Development Lab
title:	HV_Base_for_PMT
revision:	Rev_A
IDLAB design #:	IDL_16_012
circuit design:	JLB
PCB design:	JLB
sheet #:	1 of 1
sheet description:	Resistor Divider
date last modified:	11-16-2016