

institution:	University of Hawaii at Manoa High Energy Physics Lab Instrumentation Development Lab
title:	KLM TARGETX Readout Daughtercard
revision:	C
IDLAB design #:	IDL 15_005
circuit design:	XS, PO
PCB design:	XS
sheet #:	1 of 5
sheet description:	
date last modified:	2015-04-02

6

5

4

3

2

1

E

E

D

D

C

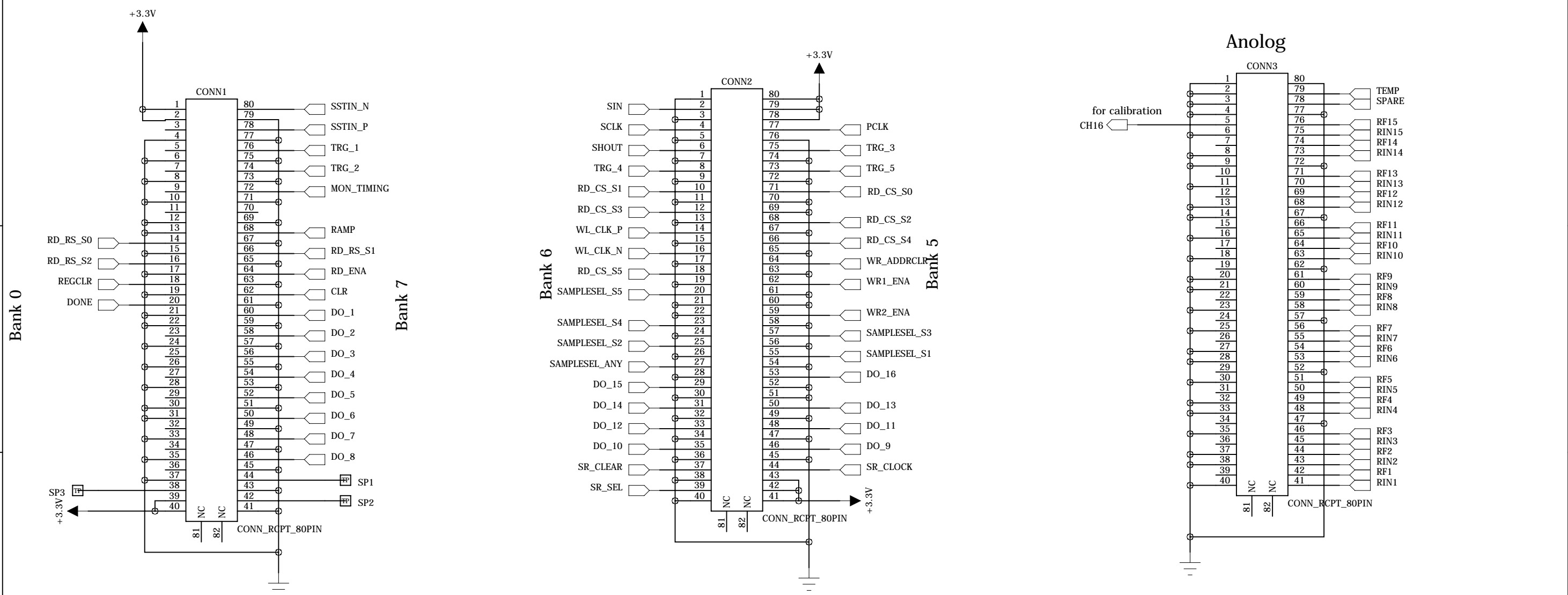
C

B

B

A

A



institution:	University of Hawaii at Manoa High Energy Physics Lab Instrumentation Development Lab
title:	KLM TARGETX Readout Daughtercard
revision:	C
IDLAB design #:	IDL_15_005
circuit design:	XS, PO
PCB design:	XS
sheet #:	2 of 5
sheet description:	
date last modified:	2015-04-02

6

5

4

3

2

1

E

E

D

D

C

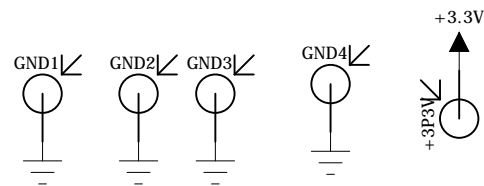
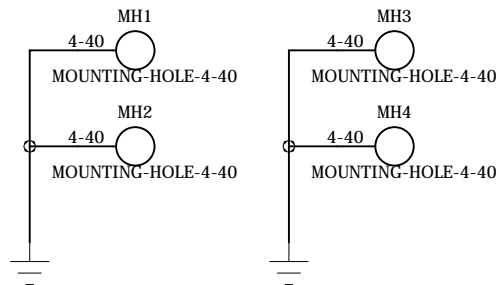
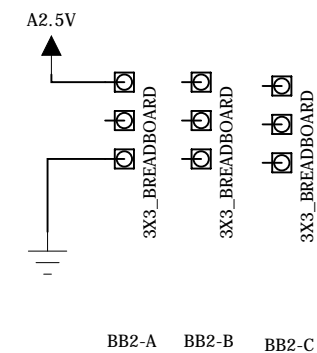
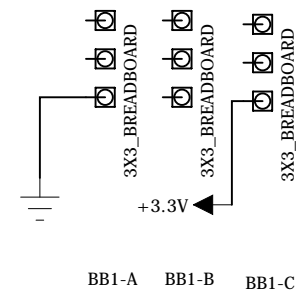
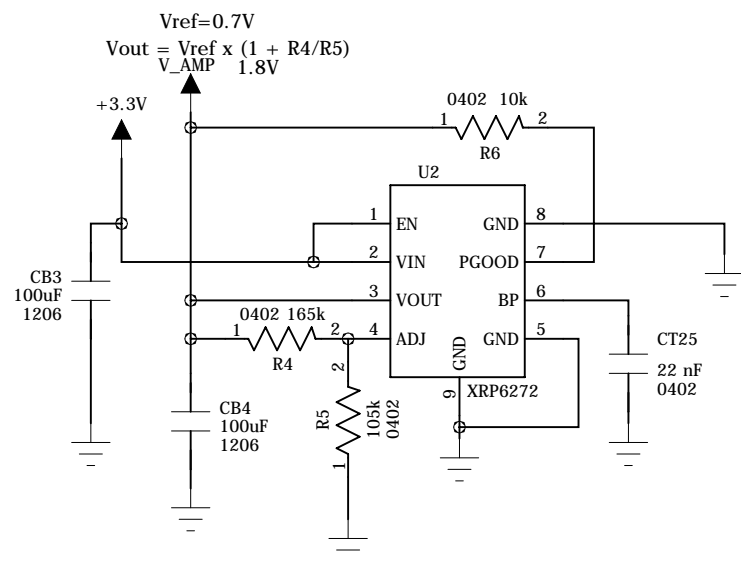
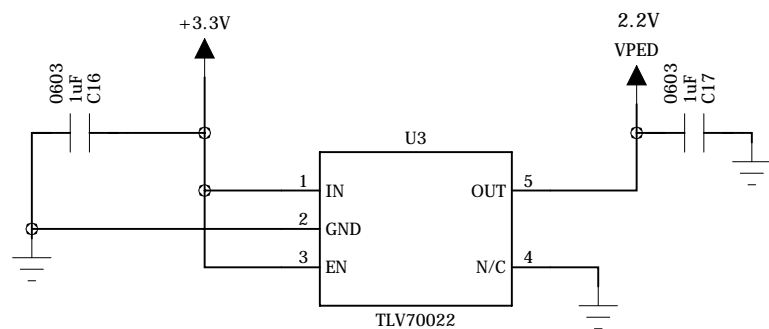
C

B

B

A

A



institution:	University of Hawaii at Manoa High Energy Physics Lab Instrumentation Development Lab
title:	KLM TARGETX Readout Daughtercard
revision:	C
IDLAB design #:	IDL_15_005
circuit design:	XS, PO
PCB design:	XS
sheet #:	3 of 5
sheet description:	
date last modified:	2015-04-02

6

5

4

3

2

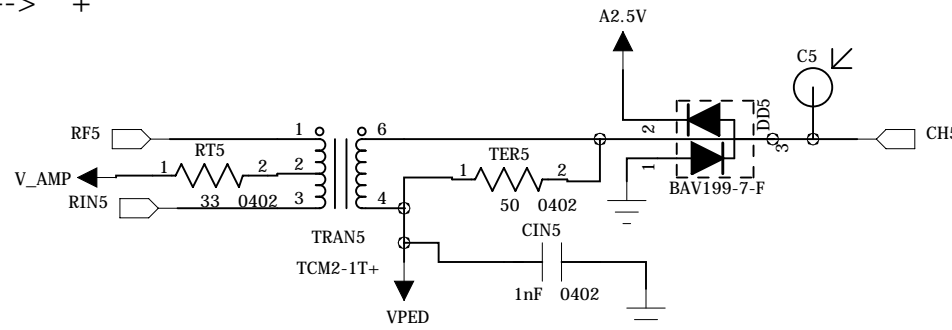
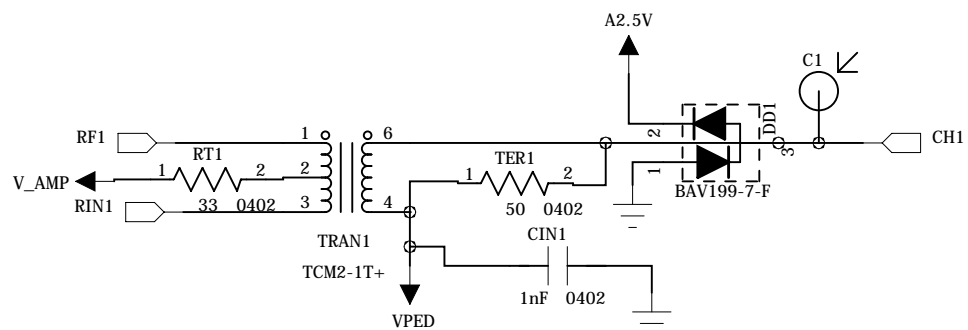
1

E

E

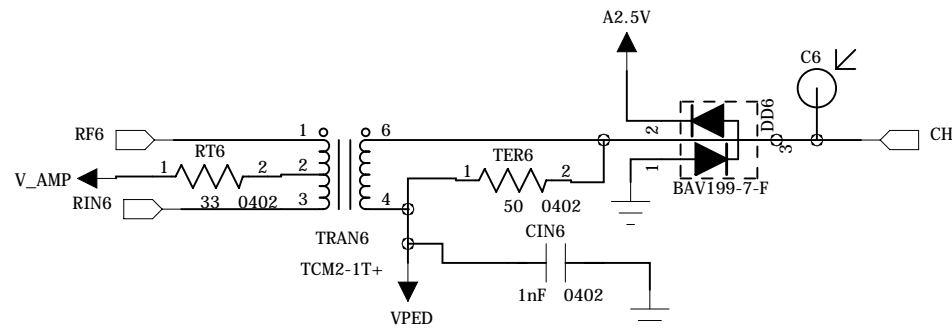
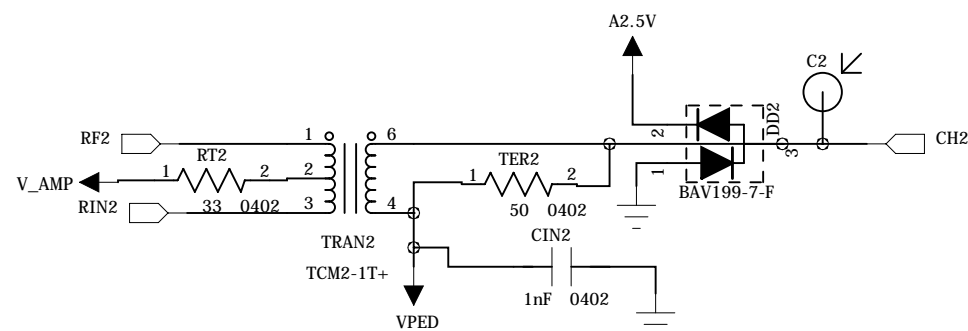
RF <--> OUT2 --> "-"

RIN <--> OUT1 --> "+"



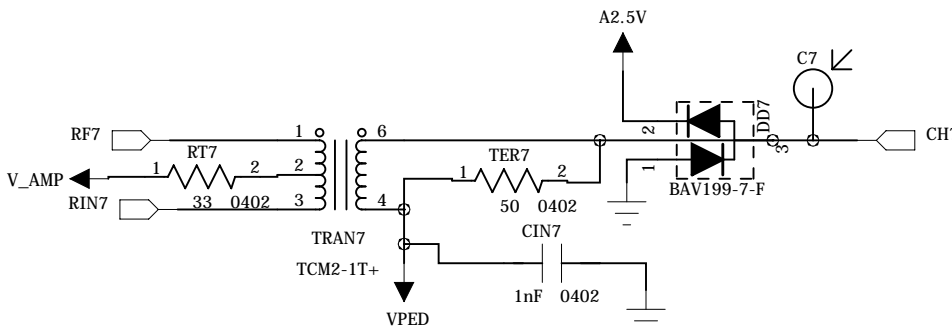
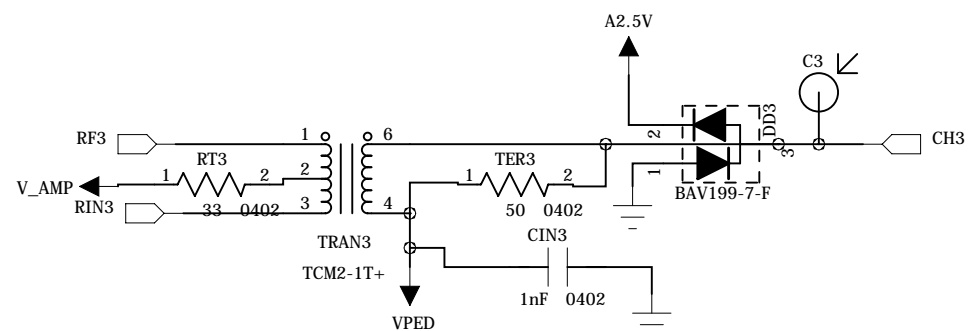
D

D



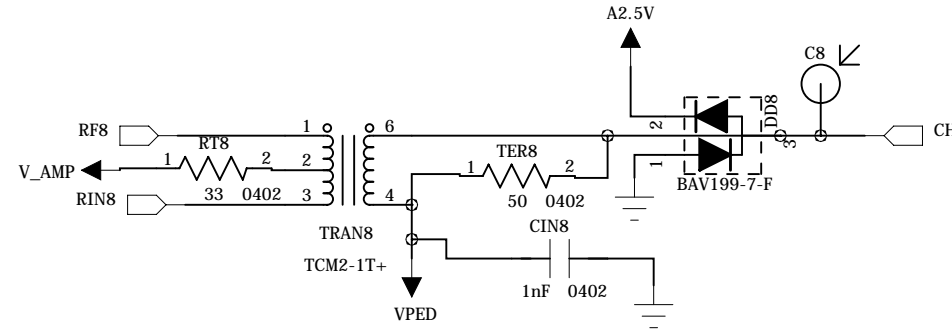
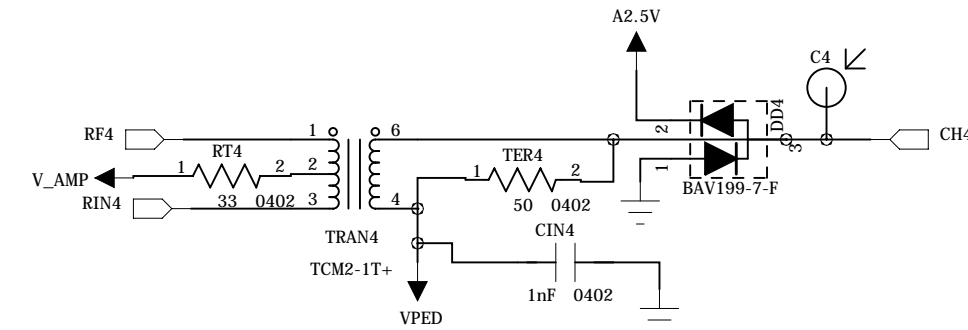
C

C



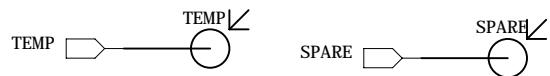
B

B



A

A



institution:	University of Hawaii at Manoa High Energy Physics Lab Instrumentation Development Lab
title:	KLM TARGETX Readout Daughtercard
revision:	C
IDLAB design #:	IDL_15_005
circuit design:	XS, PO
PCB design:	XS
sheet #:	4 of 5
sheet description:	
date last modified:	2015-04-02

6

5

4

3

2

1

E

E

D

D

C

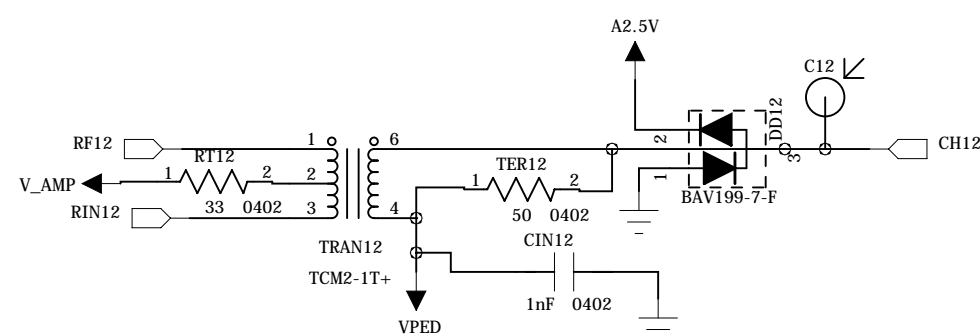
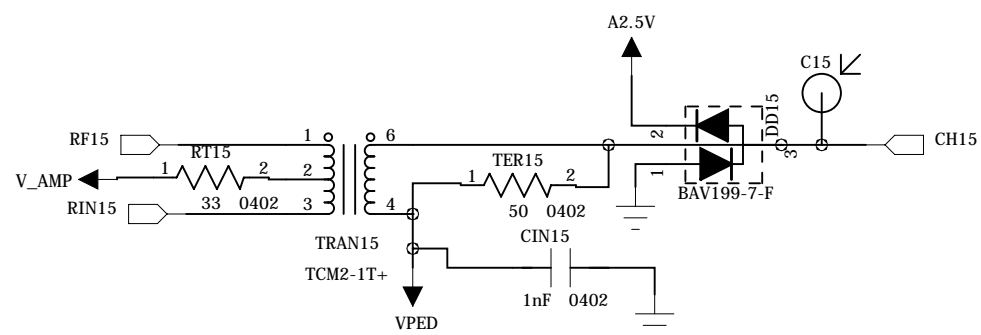
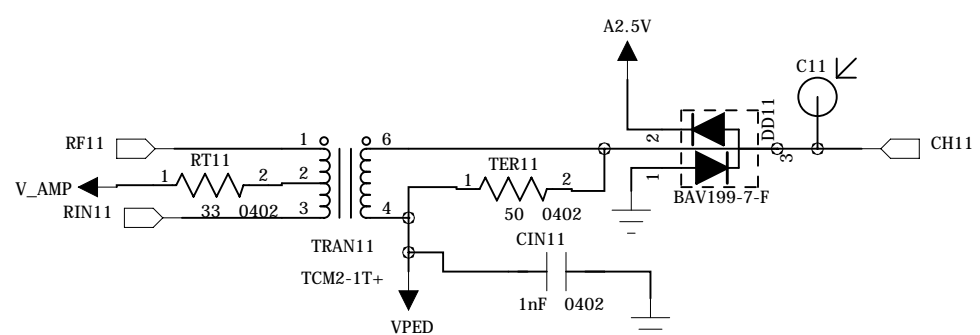
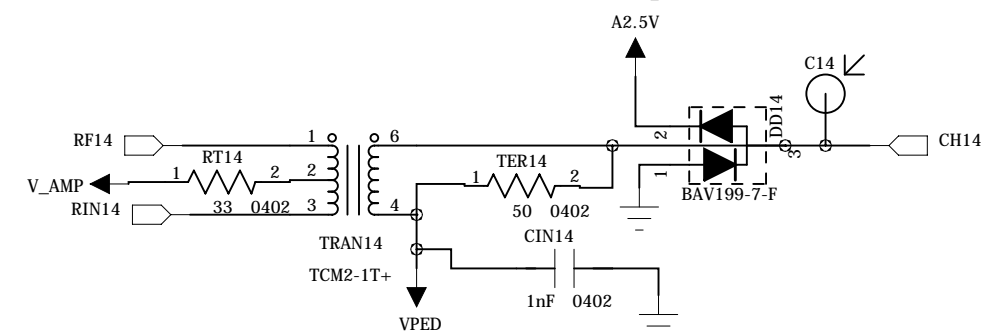
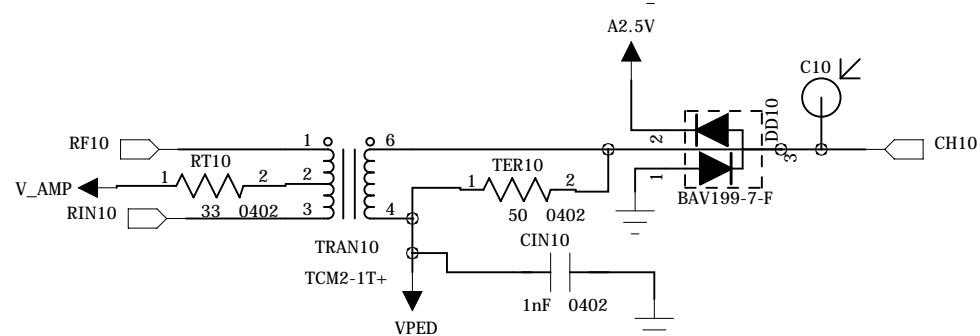
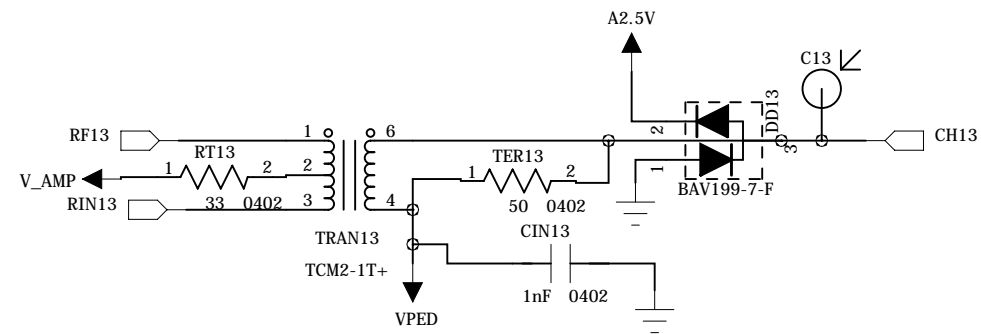
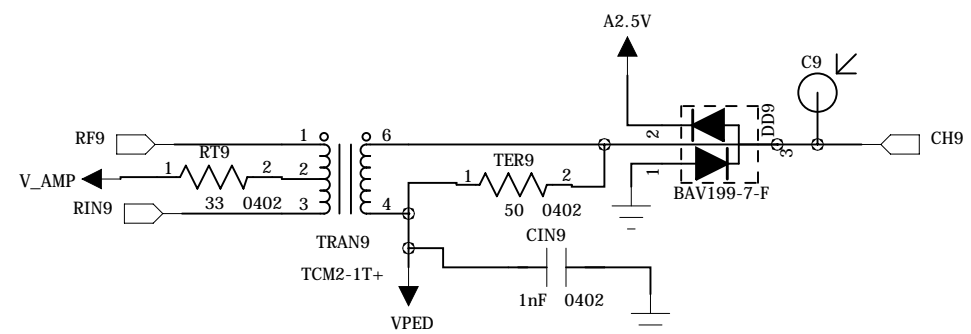
C

B

B

A

A



institution:	University of Hawaii at Manoa High Energy Physics Lab Instrumentation Development Lab
title:	KLM TARGETX Readout Daughtercard
revision:	C
IDLAB design #:	IDL_15_005
circuit design:	XS, PO
PCB design:	XS
sheet #:	5 of 5
sheet description:	
date last modified:	2015-04-02