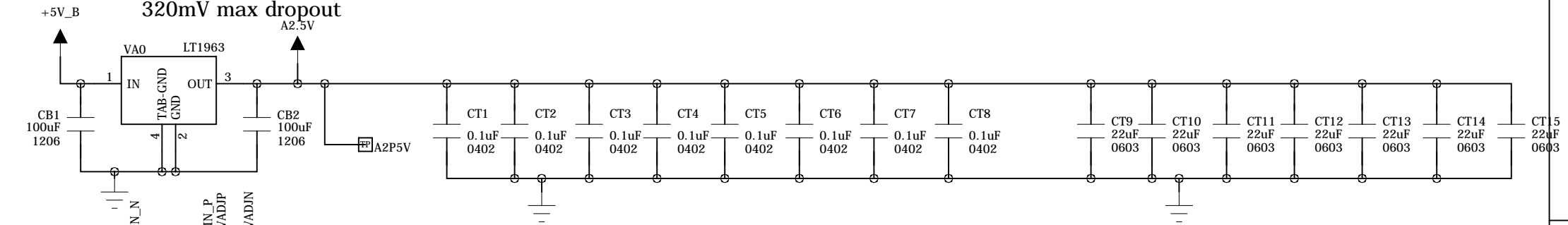
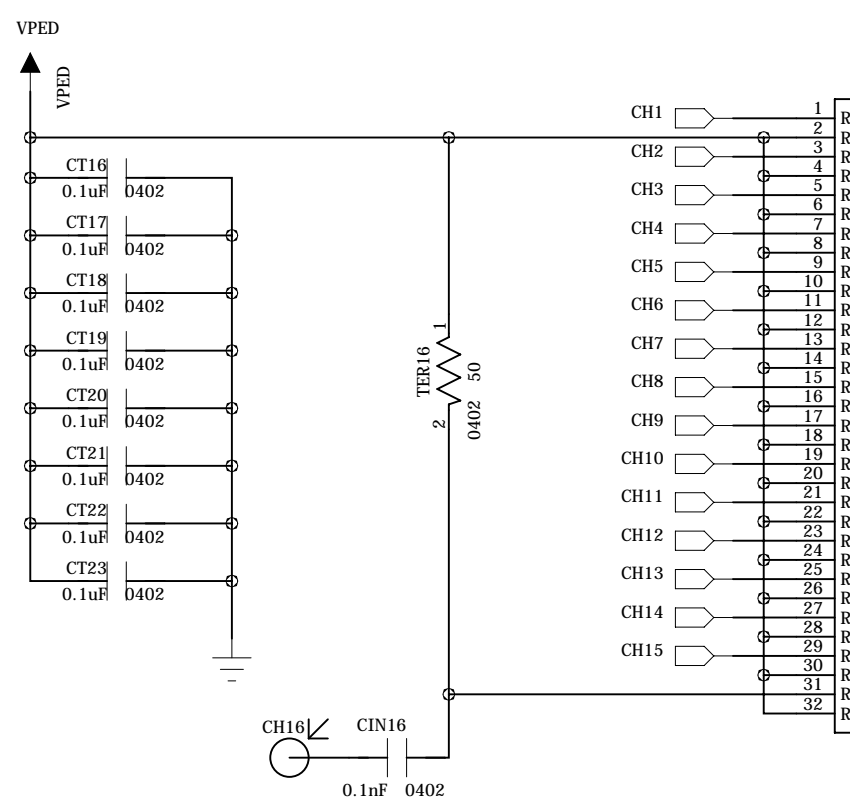
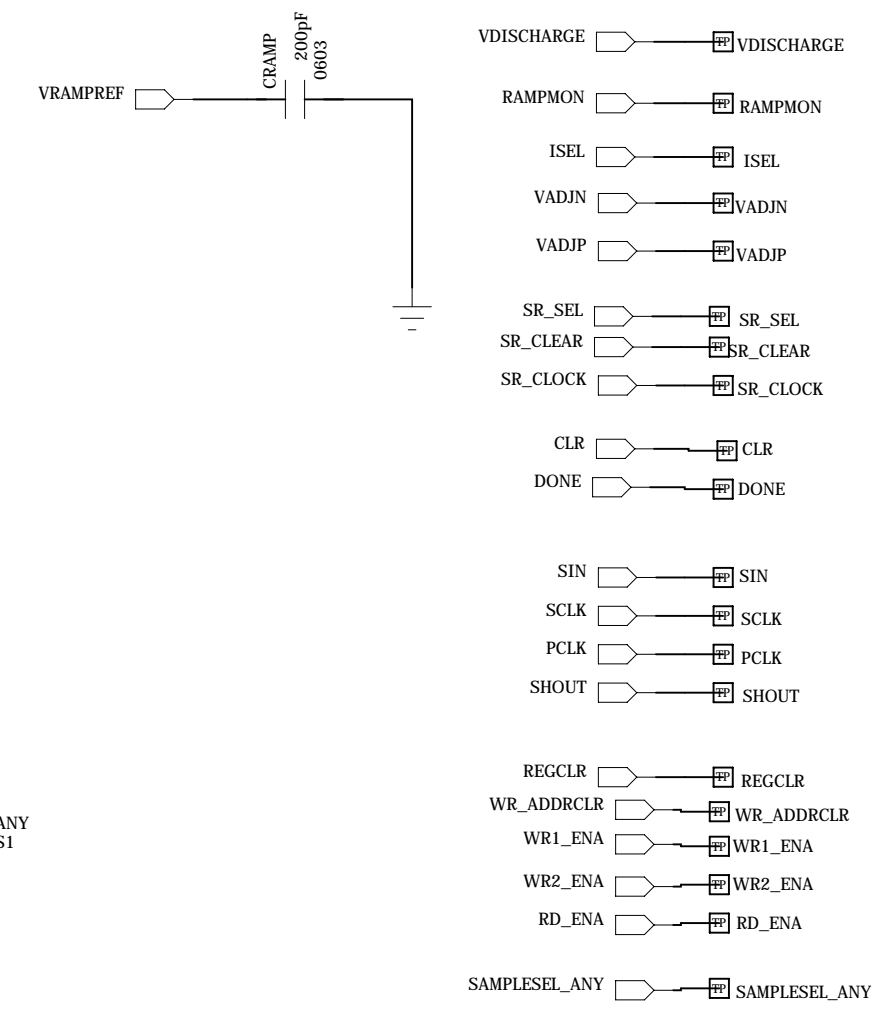
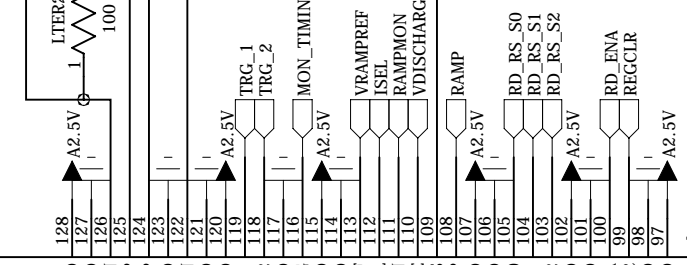


provides power to ASIC

320mV max dropout
A2.5V



CMP_VSS ties to GND



institution:	University of Hawaii at Manoa High Energy Physics Lab Instrumentation Development Lab
title:	KLM TARGETX Readout Daughtercard
revision:	B
IDLAB design #:	IDL_14_032
circuit design:	XS
PCB design:	XS
sheet #:	1 of 5
sheet description:	
date last modified:	2014-09-01

6

5

4

3

2

1

E

E

D

D

C

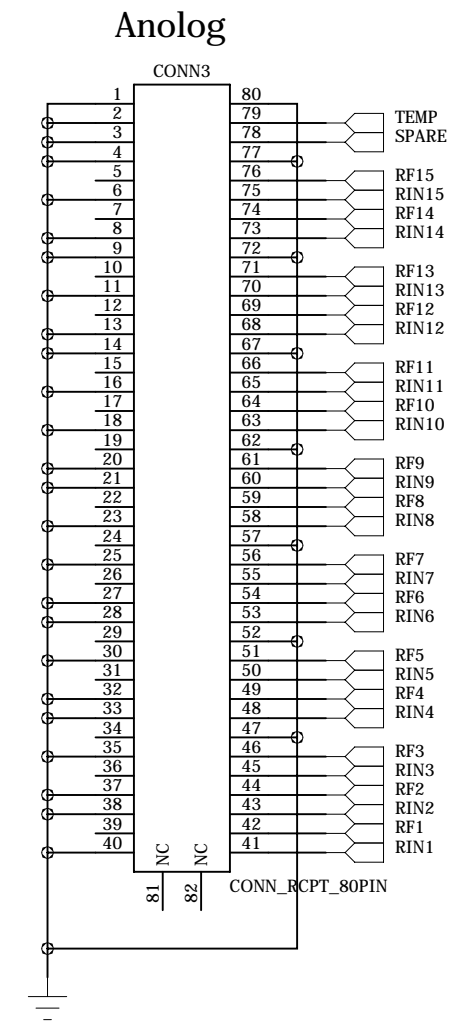
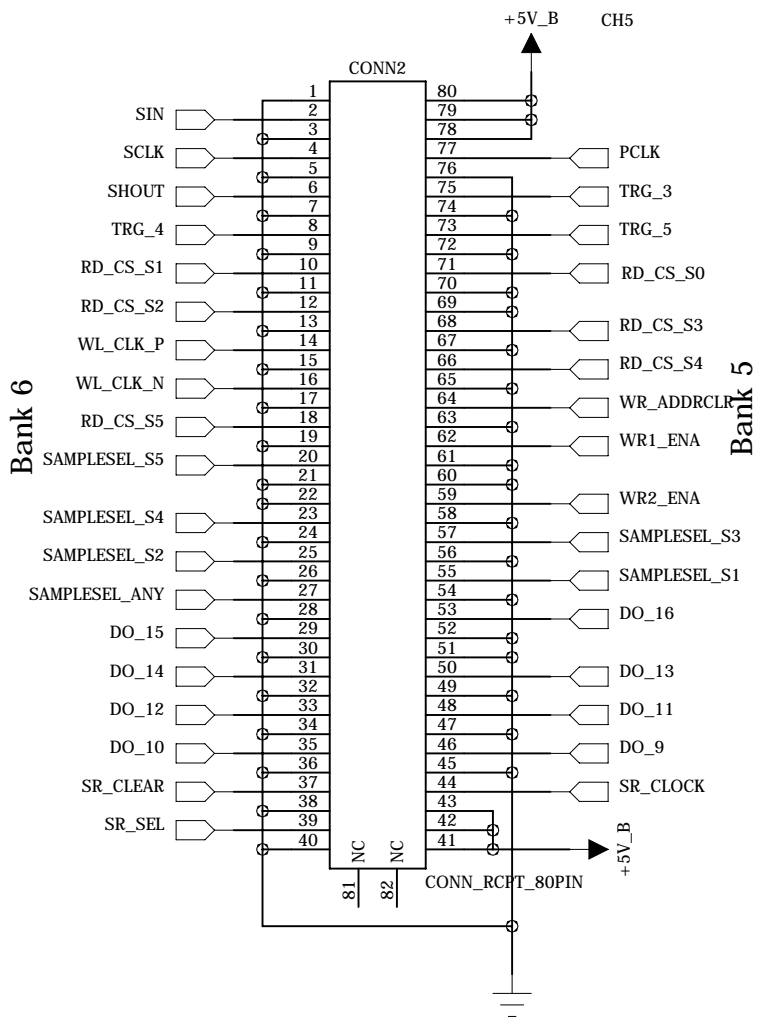
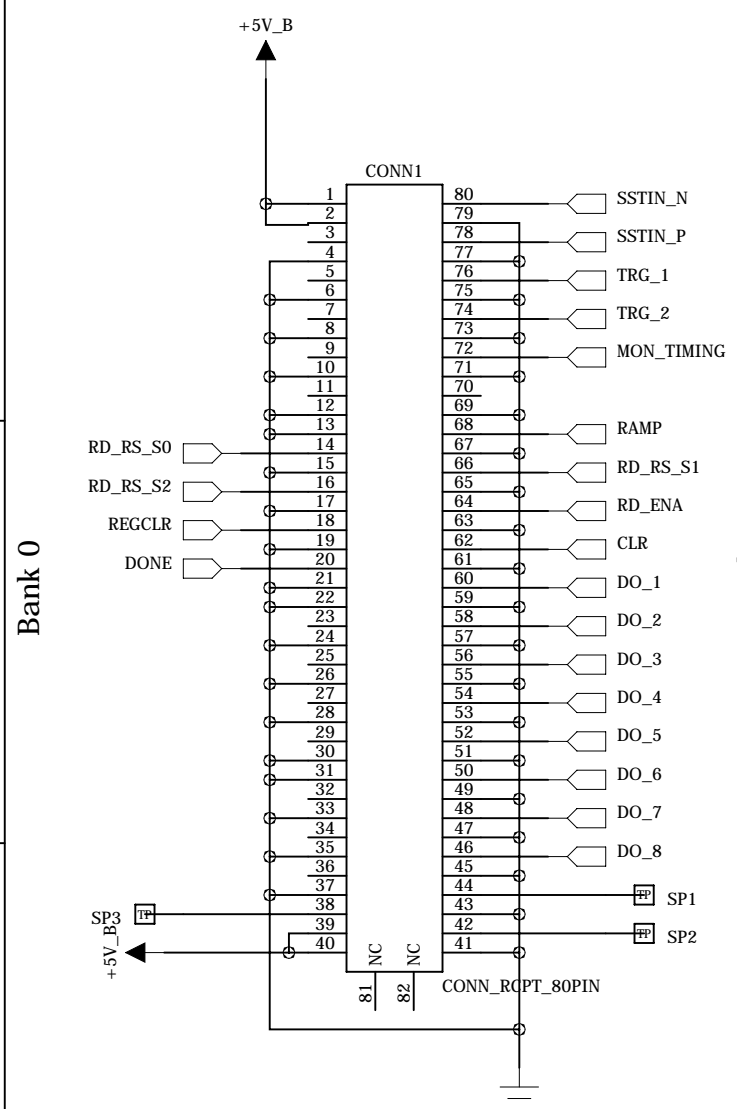
C

B

B

A

A



institution:	University of Hawaii at Manoa High Energy Physics Lab Instrumentation Development Lab
title:	KLM TARGETX Readout Daughtercard
revision:	B
IDLAB design #:	IDL_14_032
circuit design:	XS
PCB design:	XS
sheet #:	2 of 5
sheet description:	
date last modified:	2014-09-01

6

5

4

3

2

1

E

E

D

D

C

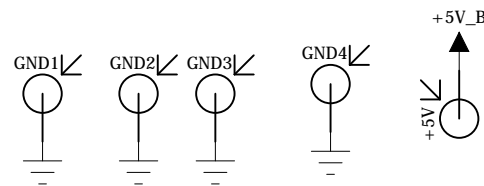
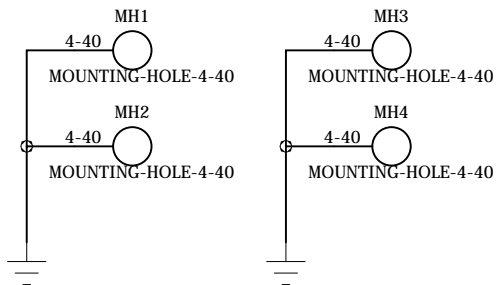
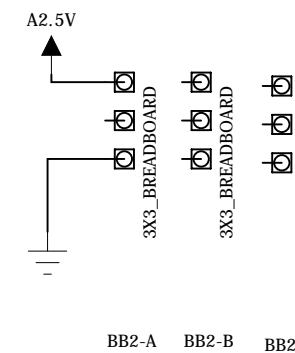
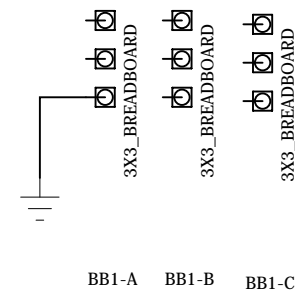
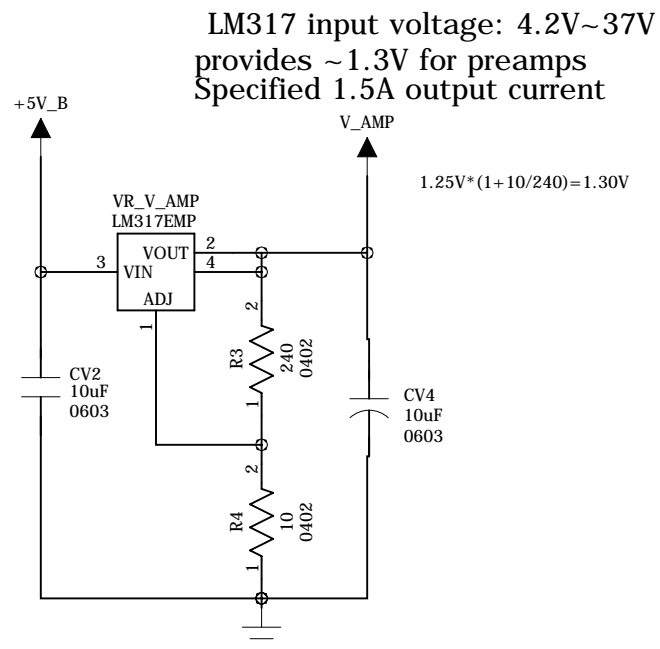
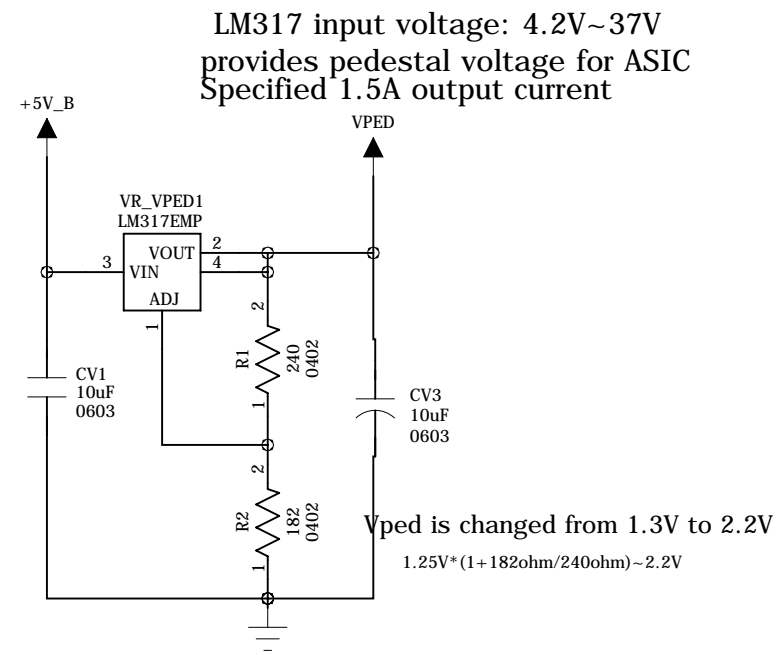
C

B

B

A

A



institution:	University of Hawaii at Manoa High Energy Physics Lab Instrumentation Development Lab
title:	KLM TARGETX Readout Daughtercard
revision:	B
IDLAB design #:	IDL_14_032
circuit design:	XS
PCB design:	XS
sheet #:	3 of 5
sheet description:	
date last modified:	2014-09-01

6

5

4

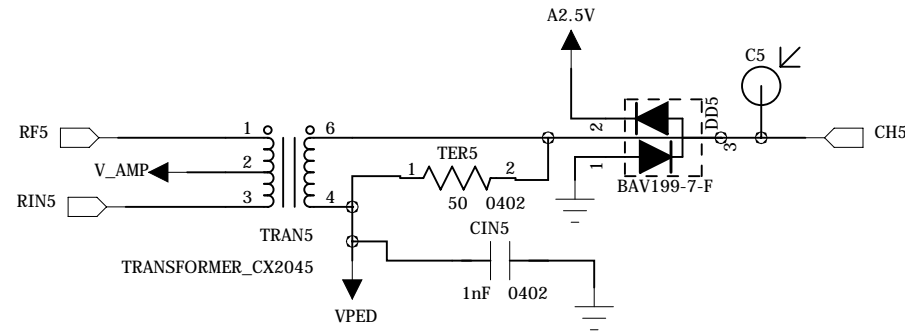
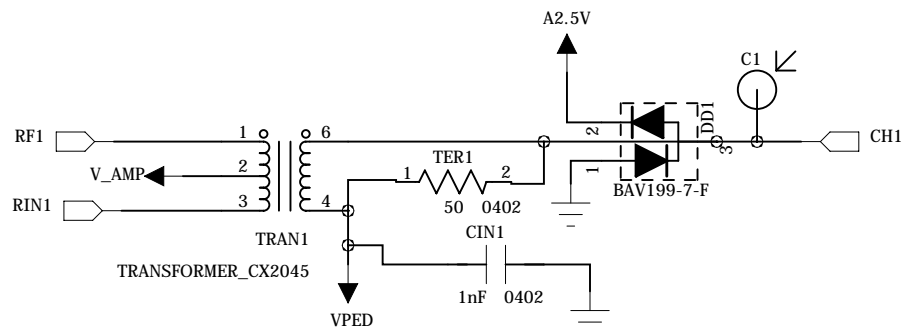
3

2

1

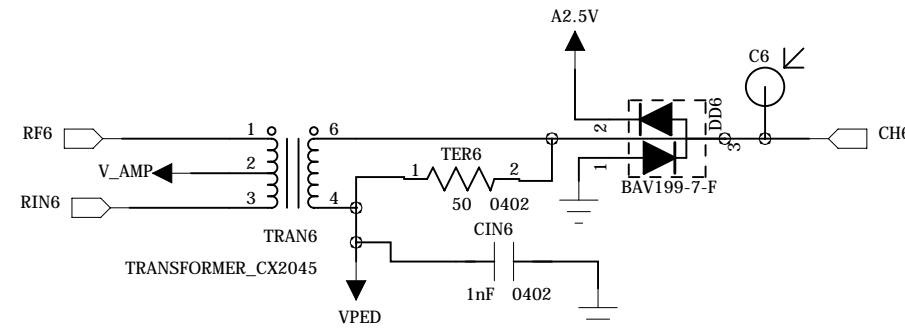
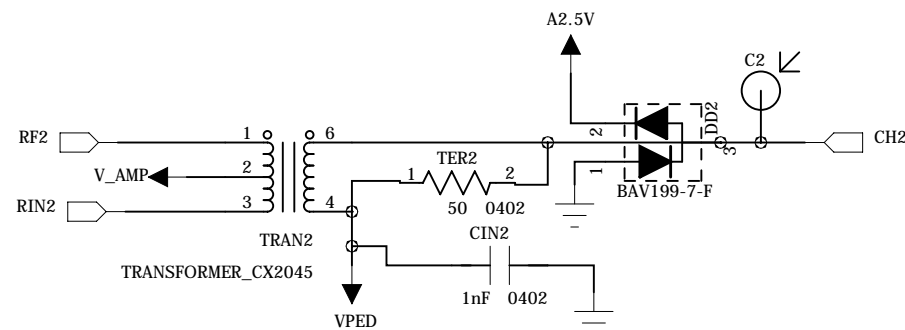
E

E



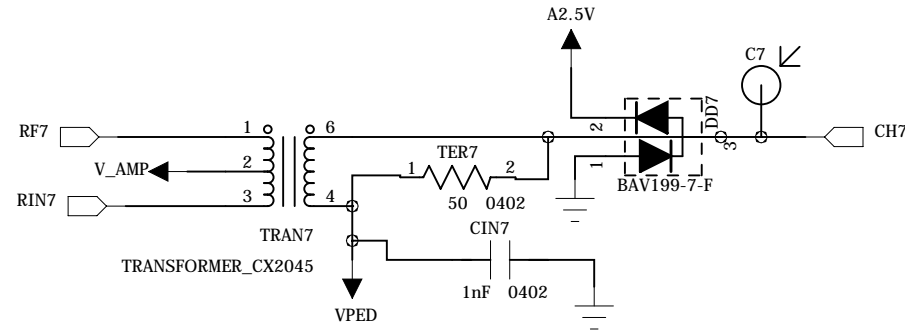
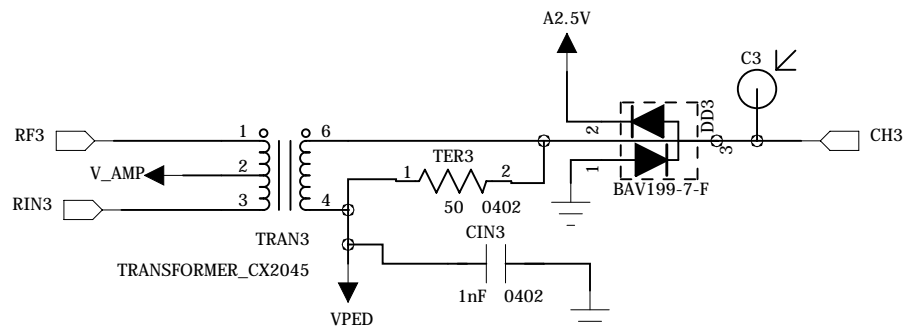
D

D



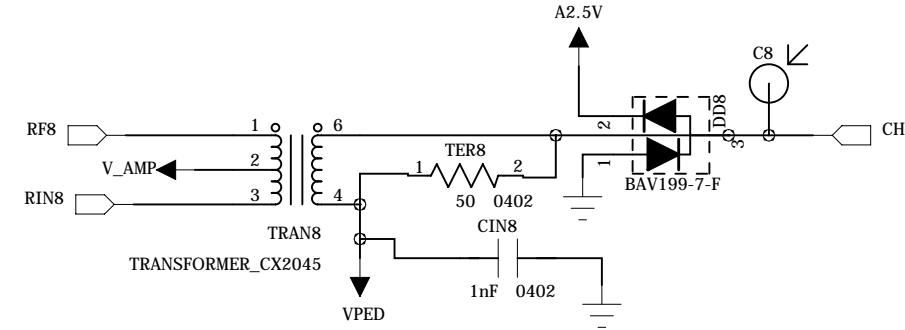
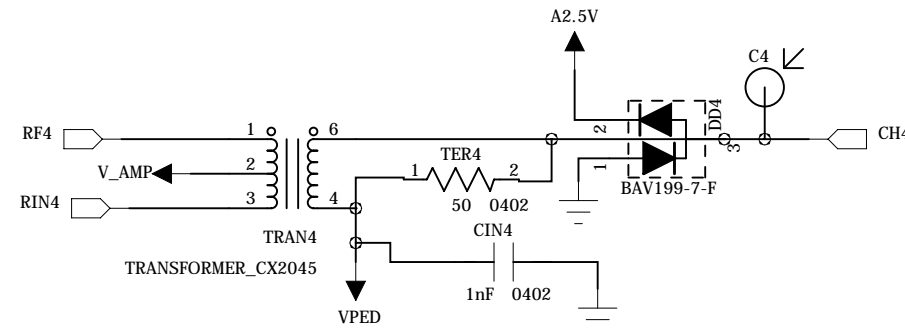
C

C



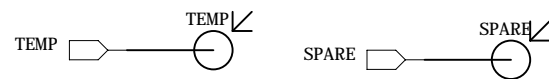
B

B



A

A



institution:	University of Hawaii at Manoa High Energy Physics Lab Instrumentation Development Lab
title:	KLM TARGETX Readout Daughtercard
revision:	B
IDLAB design #:	IDL_14_032
circuit design:	XS
PCB design:	XS
sheet #:	4 of 5
sheet description:	
date last modified:	2014-09-01

6

5

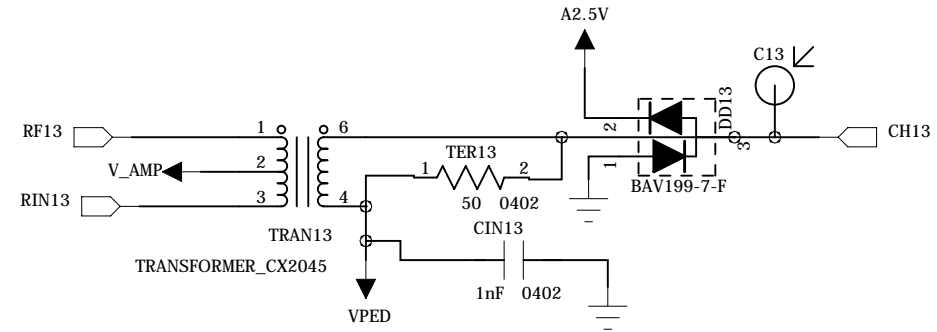
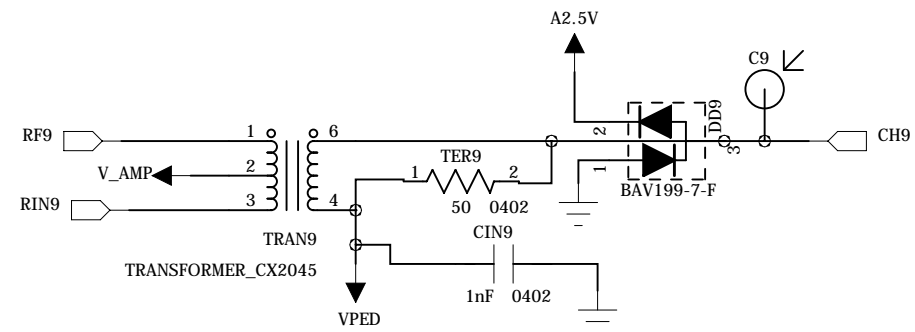
4

3

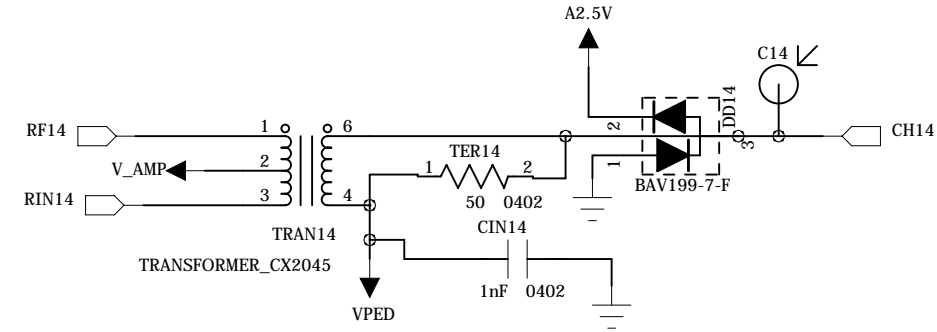
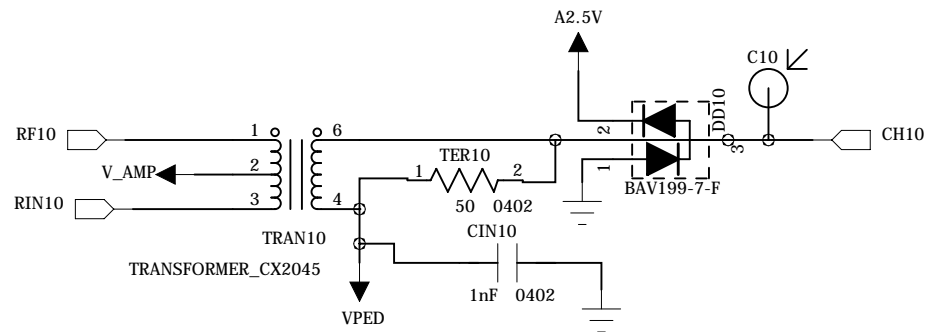
2

1

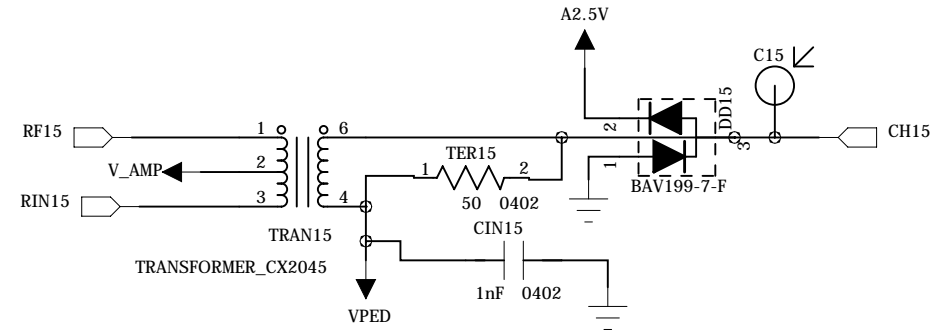
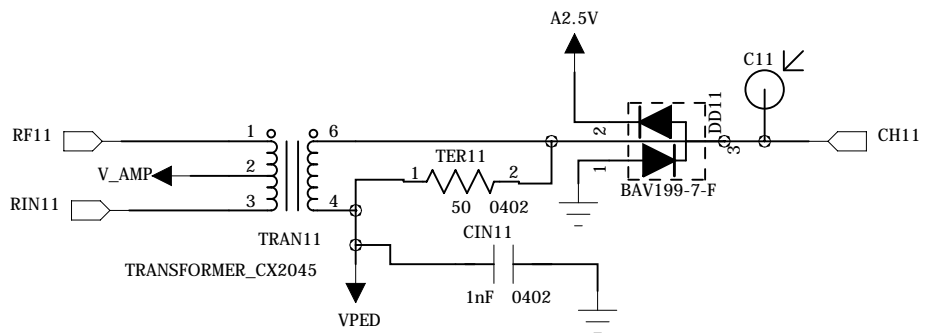
E



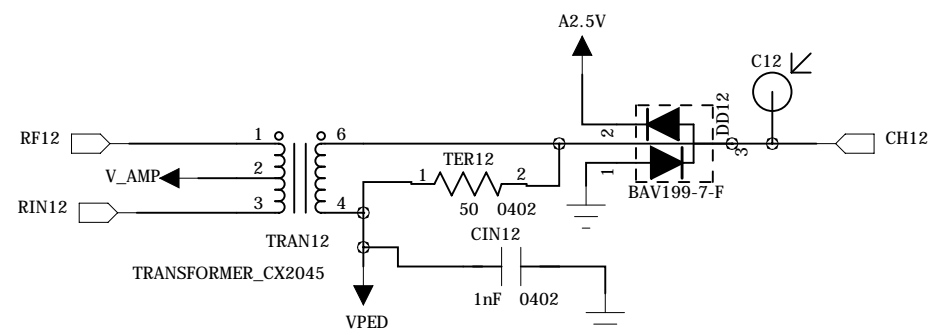
D



C



B



A

institution: University of Hawaii at Manoa
High Energy Physics Lab
Instrumentation Development Lab

title: KLM TARGETX Readout Daughtercard
revision: B
IDLAB design #: IDL_14_032
circuit design: XS
PCB design: XS

sheet #: 5 of 5
sheet description:
date last modified: 2014-09-01