

6

5

provides power to ASIC

3

2

1

E

E

D

D

C

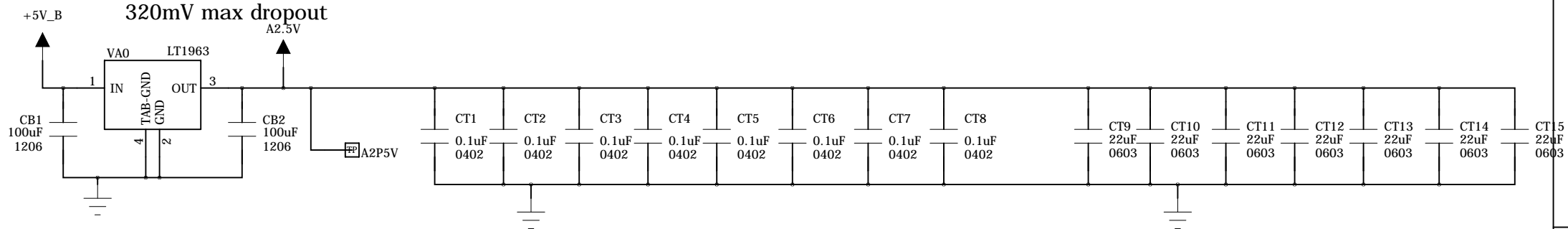
C

B

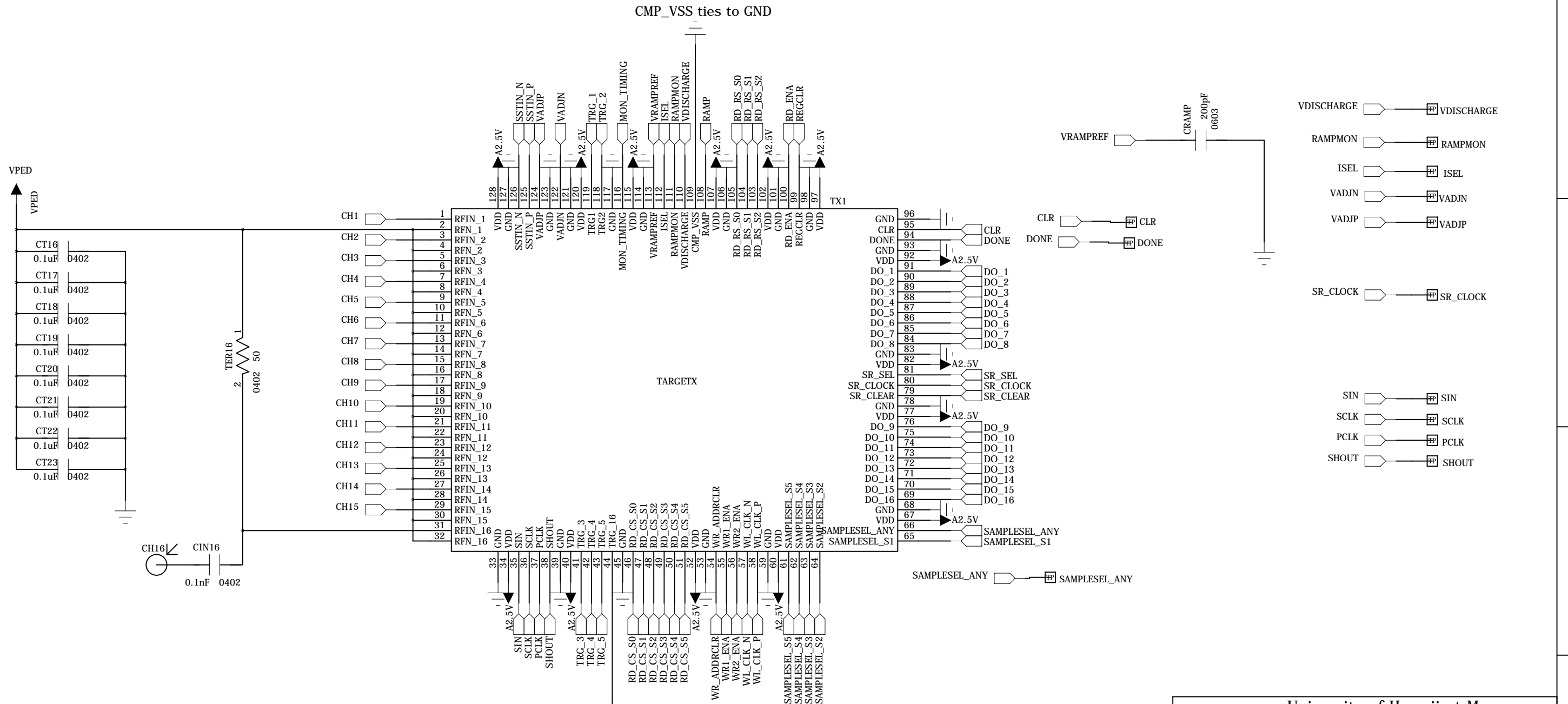
B

A

A



CMP_VSS ties to GND



institution:	University of Hawaii at Manoa High Energy Physics Lab Instrumentation Development Lab
title:	KLM TARGETX Readout Daughtercard
revision:	A
IDLAB design #:	IDL_14_005
circuit design:	XS
PCB design:	XS
sheet #:	1 of 5
sheet description:	
date last modified:	4-20-2014

6

5

4

3

2

1

E

E

D

D

C

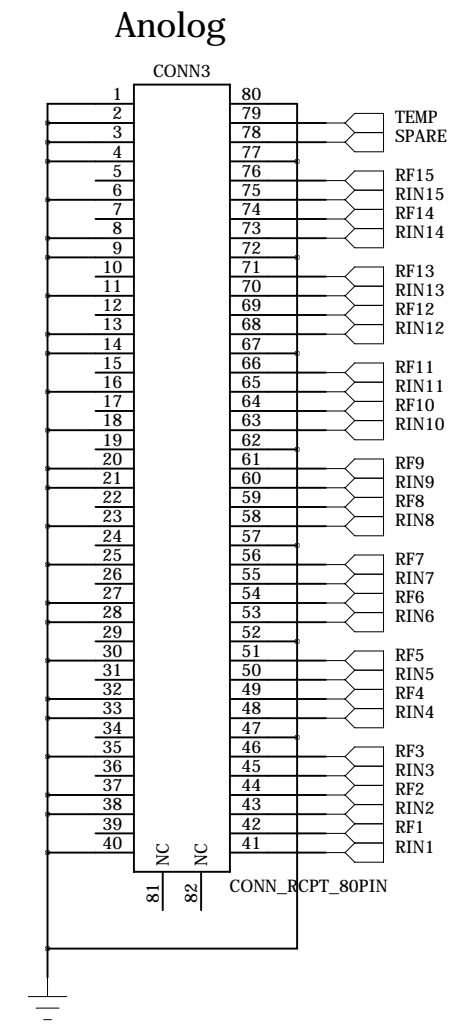
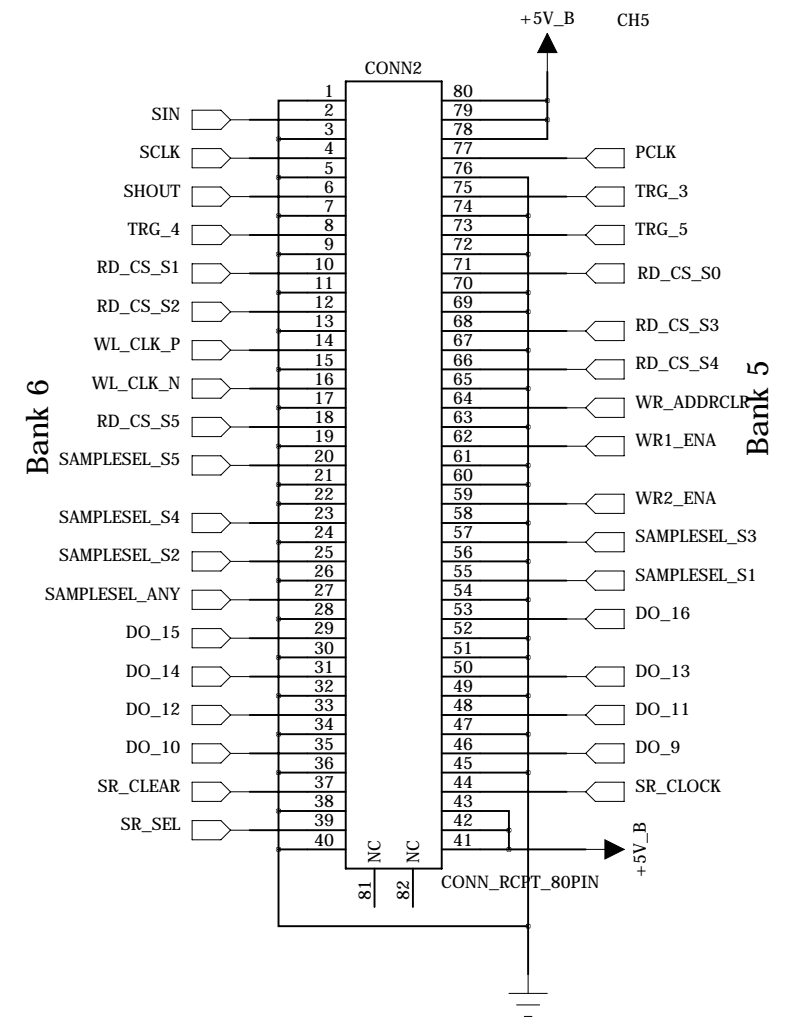
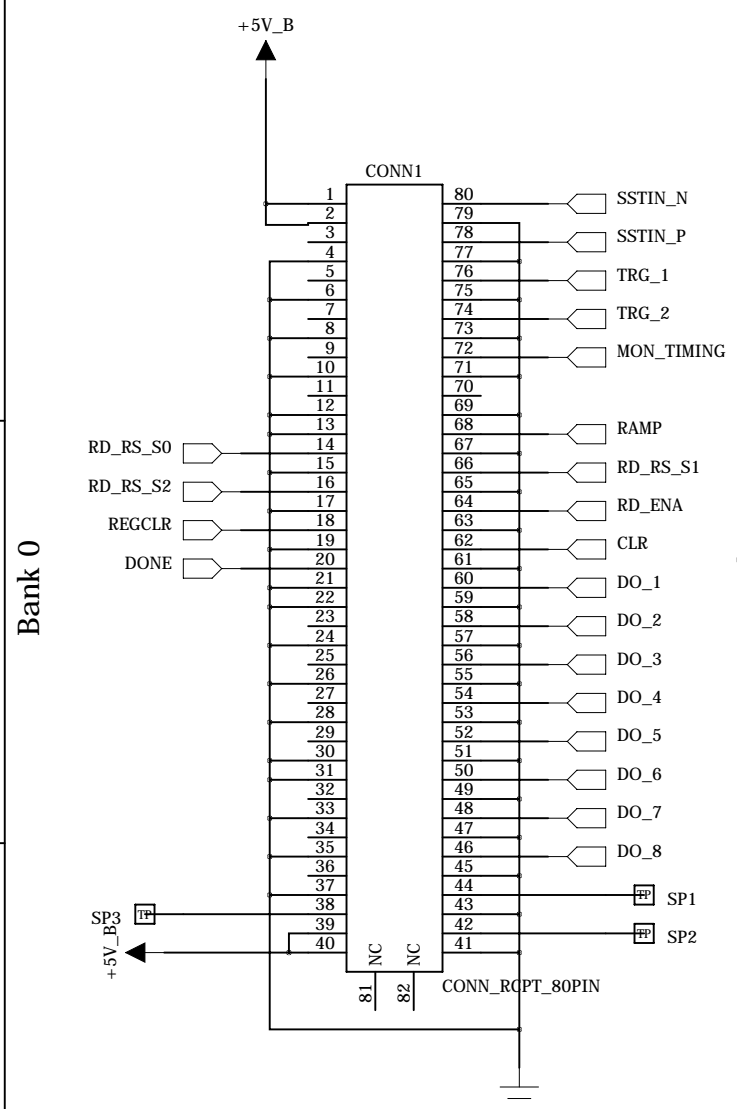
C

B

B

A

A



institution:	University of Hawaii at Manoa High Energy Physics Lab Instrumentation Development Lab
title:	KLM TARGETX Readout Daughtercard
revision:	A
IDLAB design #:	IDL_14_005
circuit design:	XS
PCB design:	XS
sheet #:	2 of 5
sheet description:	
date last modified:	4-20-2014

6

5

4

3

2

1

E

E

D

D

C

C

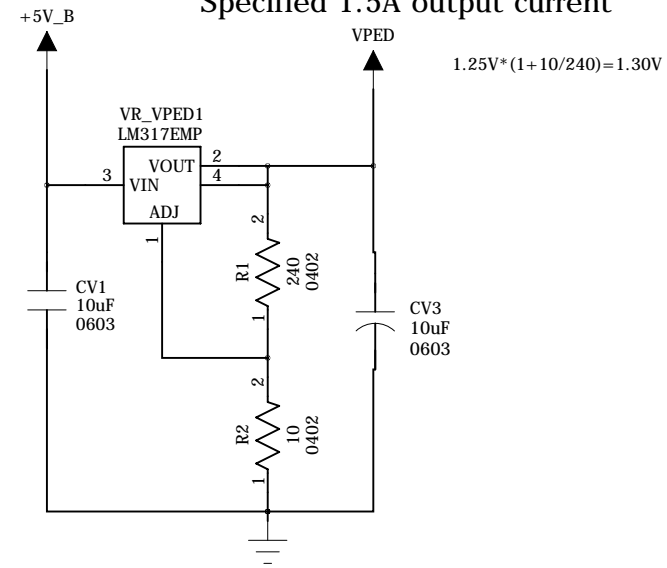
B

B

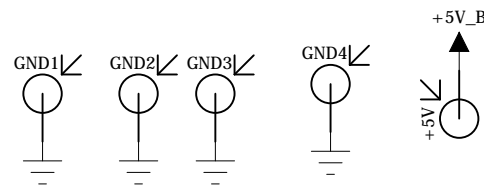
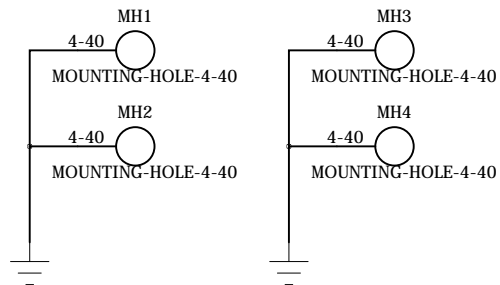
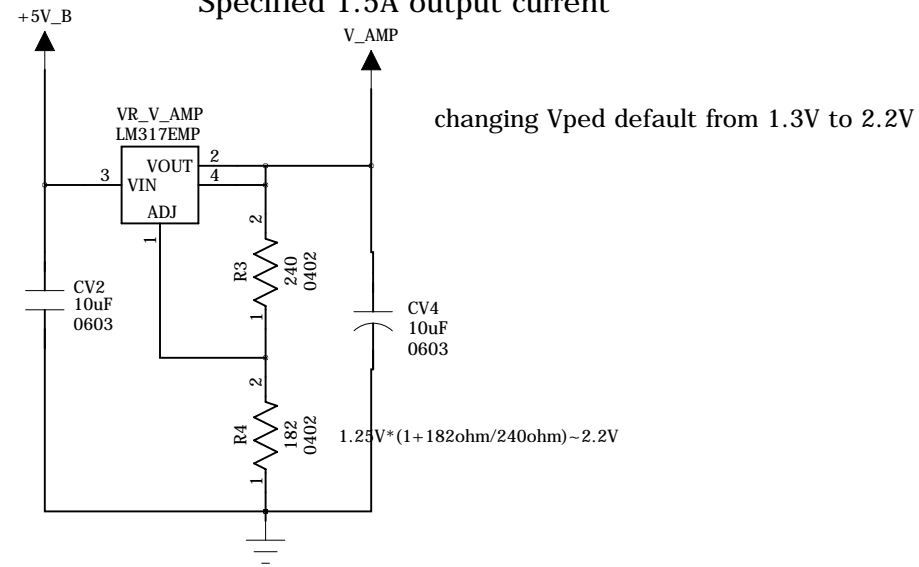
A

A

LM317 input voltage: 4.2V~37V
 provides pedestal voltage for ASIC
 Specified 1.5A output current



LM317 input voltage: 4.2V~37V
 provides ~1.3V for preamps
 Specified 1.5A output current



institution:	University of Hawaii at Manoa High Energy Physics Lab Instrumentation Development Lab
title:	KLM TARGETX Readout Daughtercard
revision:	A
IDLAB design #:	IDL_14_005
circuit design:	XS
PCB design:	XS
sheet #:	3 of 5
sheet description:	
date last modified:	4-20-2014

6

5

4

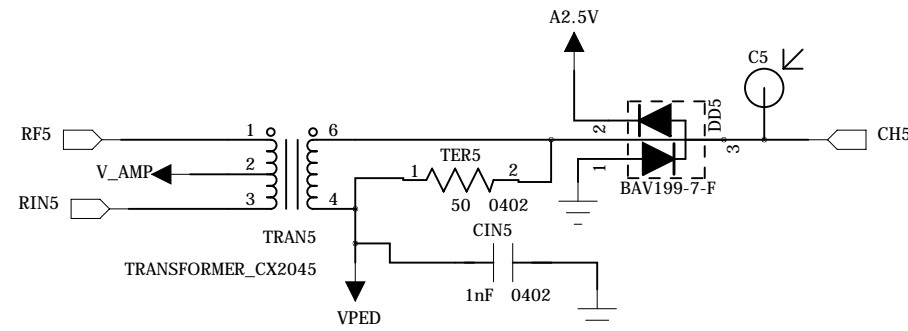
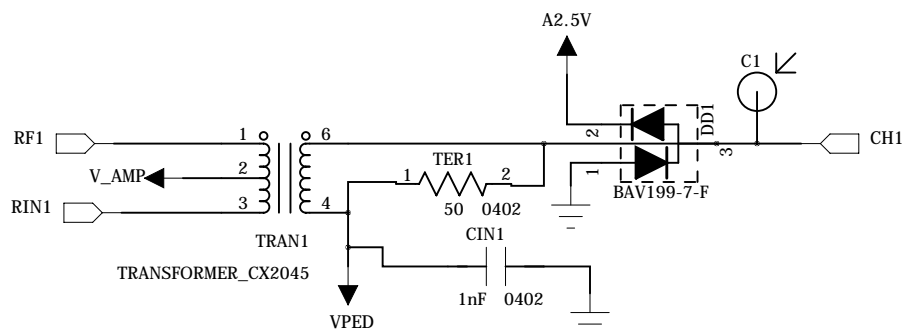
3

2

1

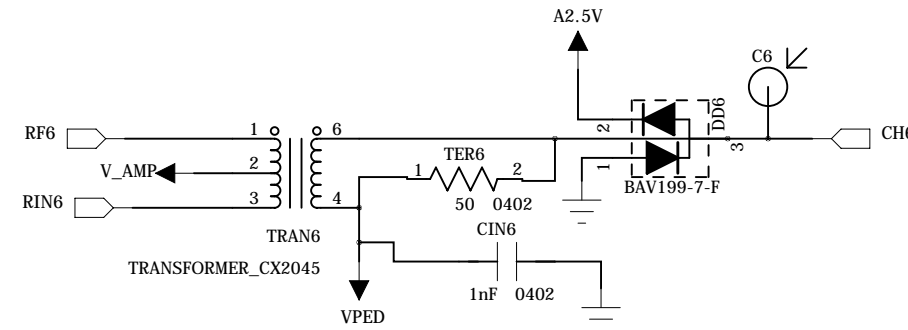
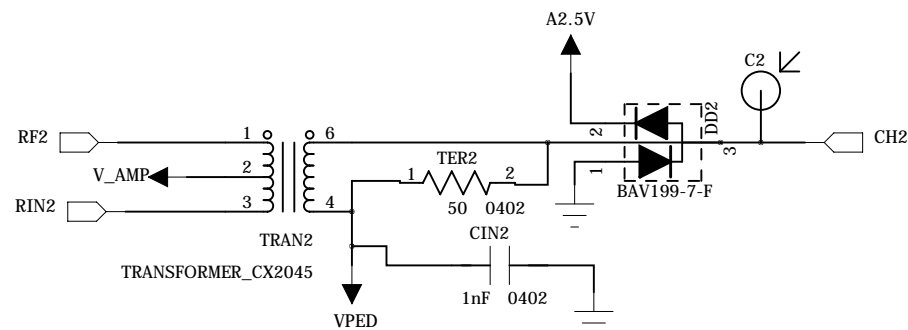
E

E



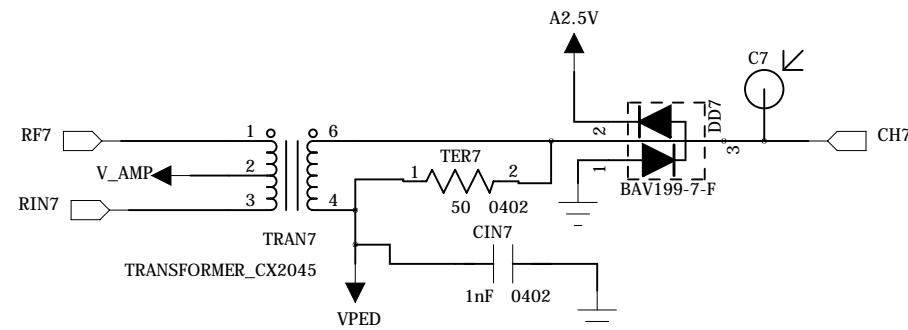
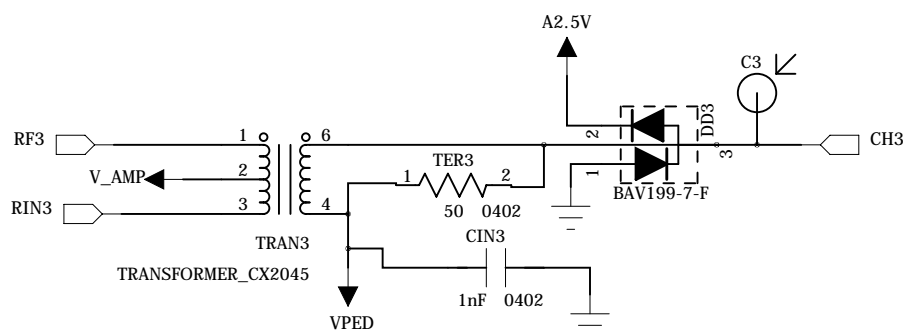
D

D



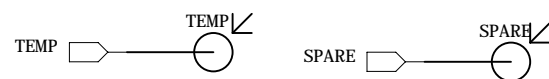
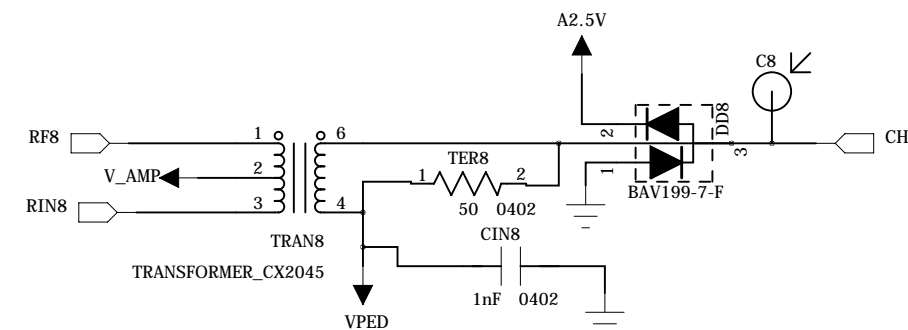
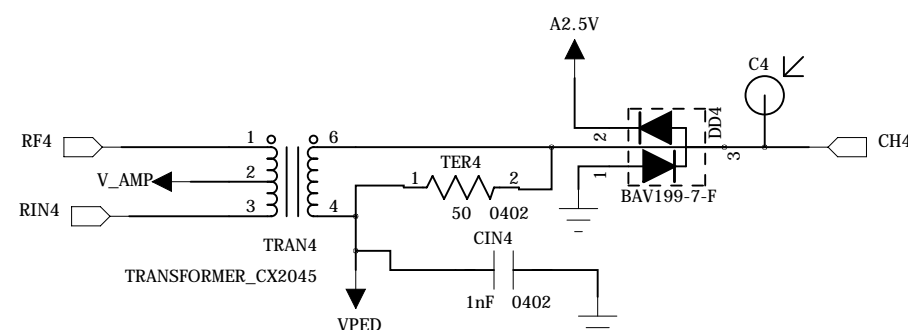
C

C



B

B



A

A

institution:	University of Hawaii at Manoa High Energy Physics Lab Instrumentation Development Lab
title:	KLM TARGETX Readout Daughtercard
revision:	A
IDLAB design #:	IDL_14_005
circuit design:	XS
PCB design:	XS
sheet #:	4 of 5
sheet description:	
date last modified:	4-20-2014

6

5

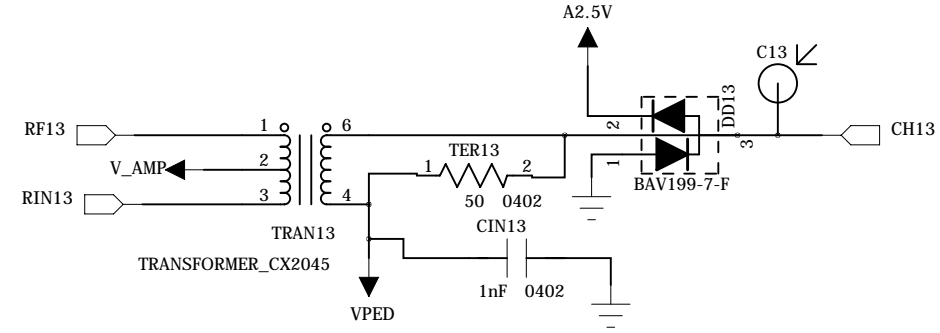
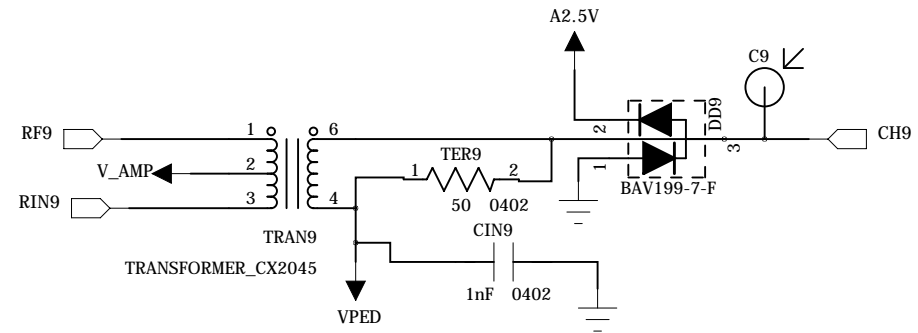
4

3

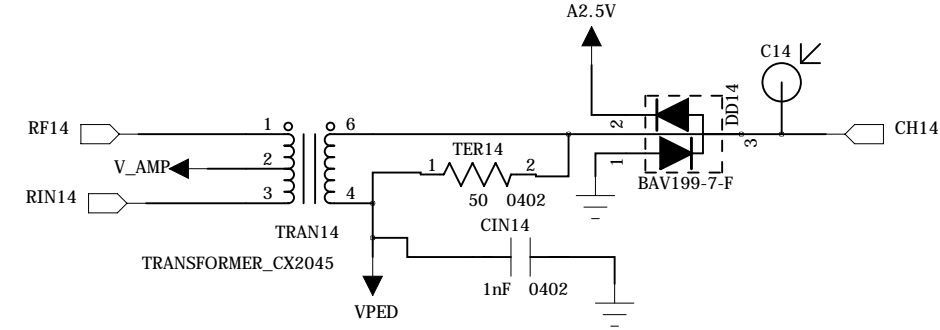
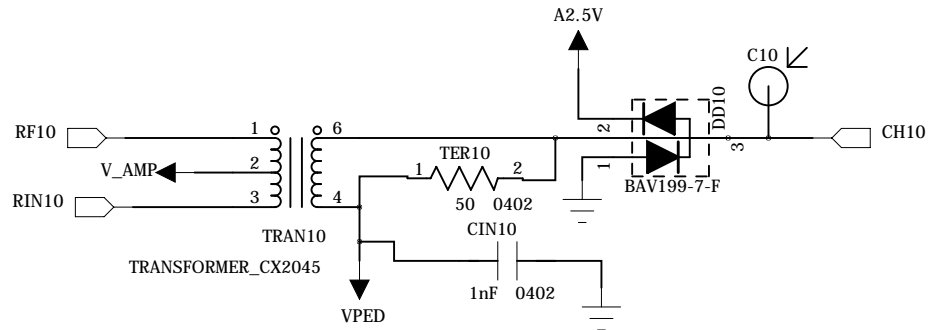
2

1

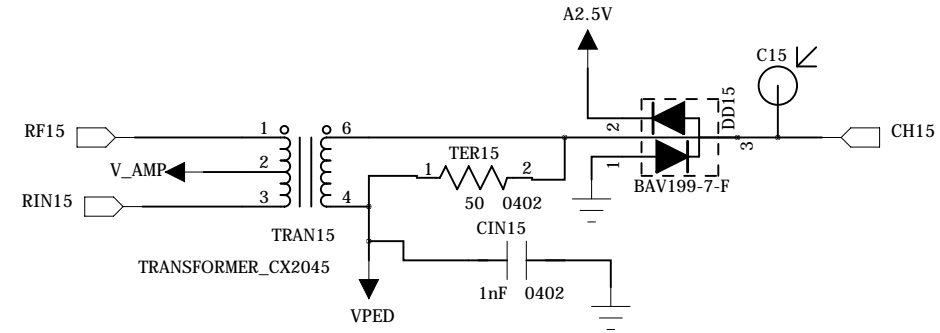
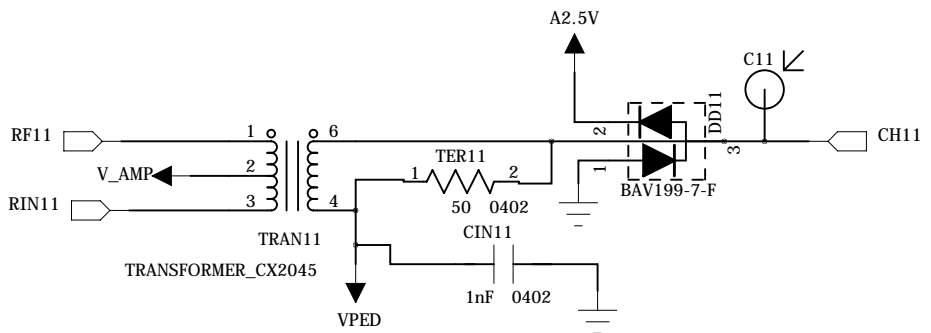
E



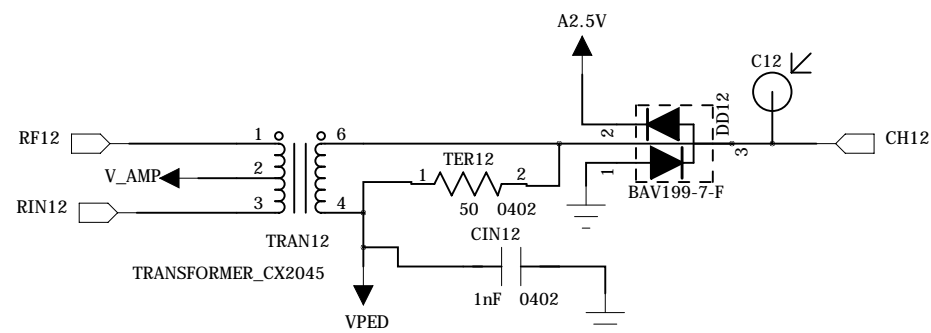
D



C



B



A

institution: University of Hawaii at Manoa
High Energy Physics Lab
Instrumentation Development Lab

title: KLM TARGETX Readout Daughtercard
revision: A
IDLAB design #: IDL_14_005
circuit design: XS
PCB design: XS

sheet #: 5 of 5
sheet description:
date last modified: 4-20-2014