

6

5

4

3

2

1

E

E

D

D

C

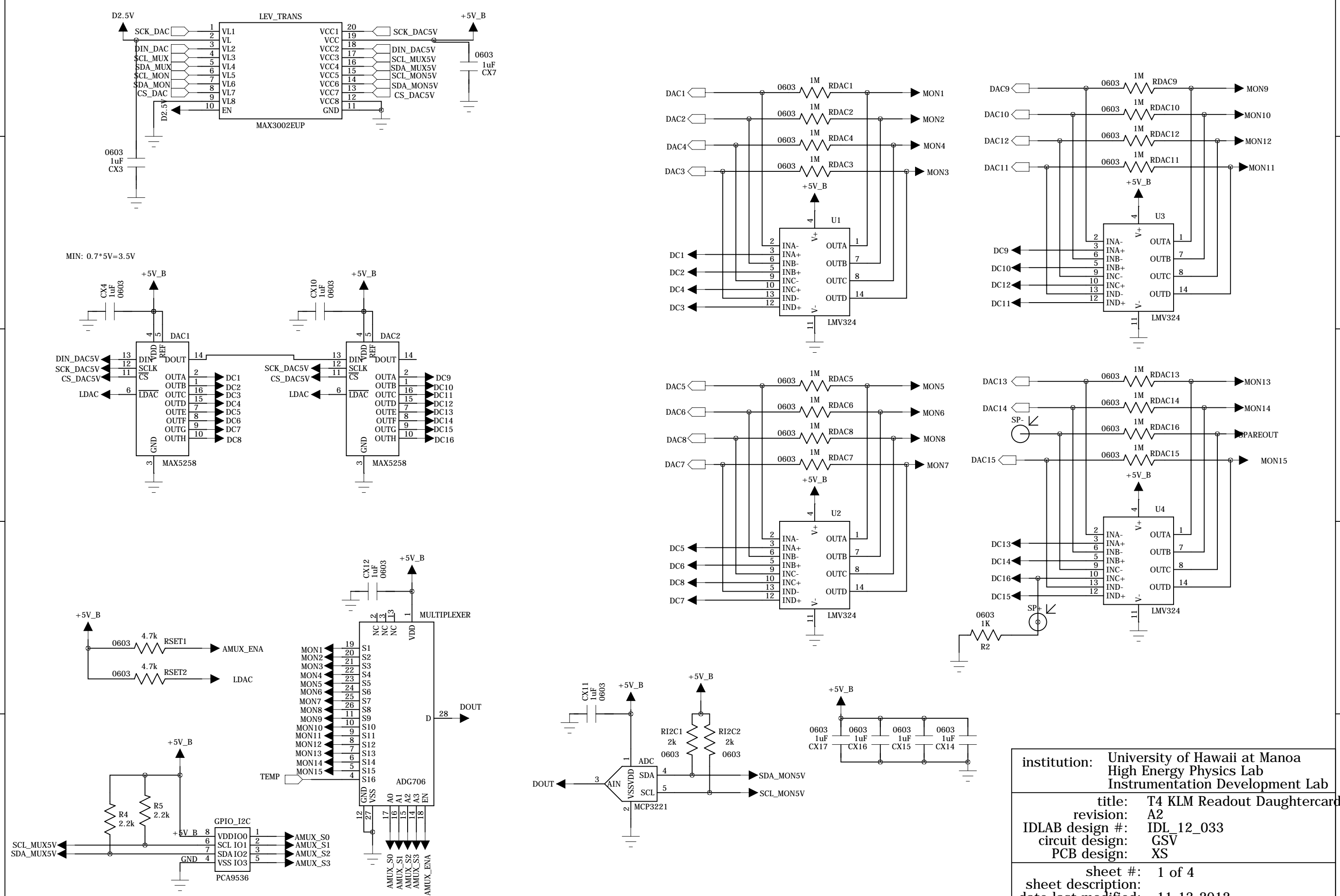
C

B

B

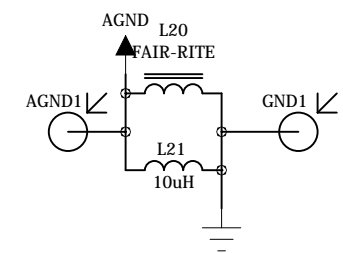
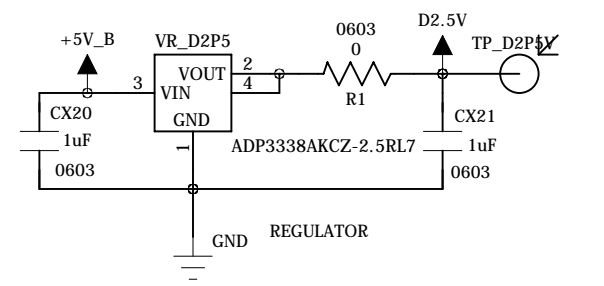
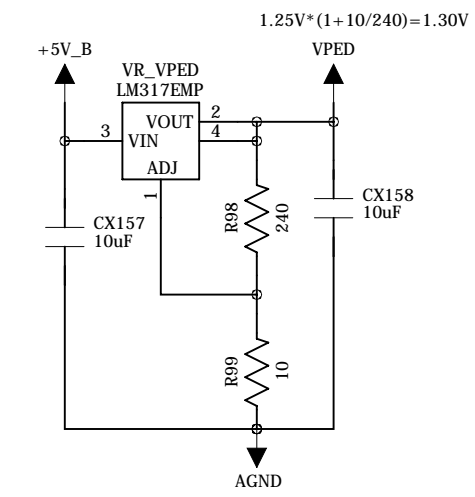
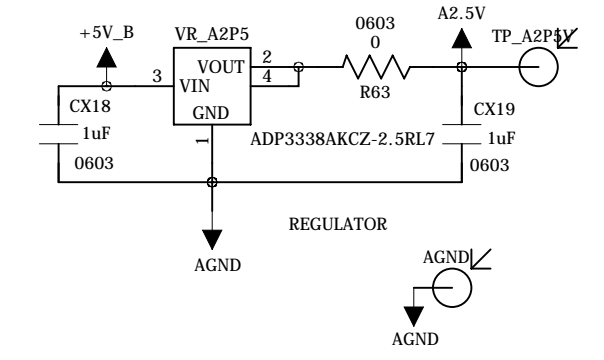
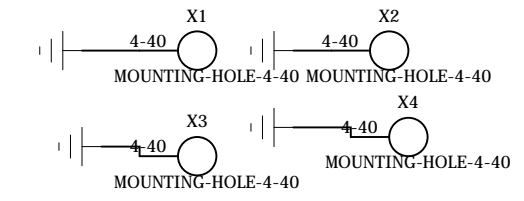
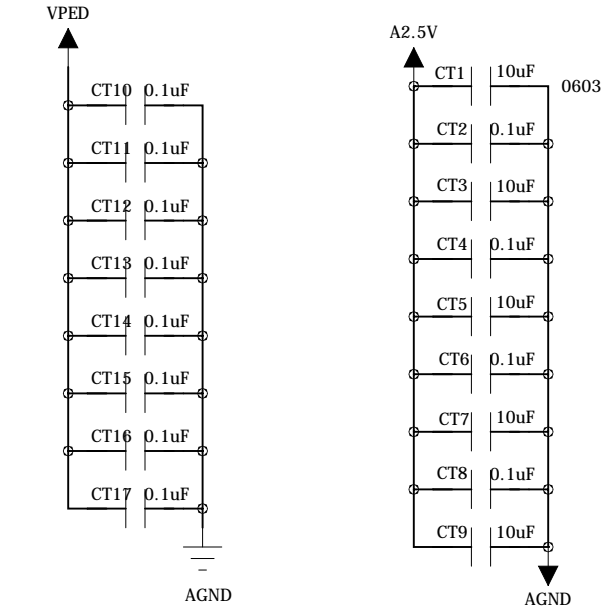
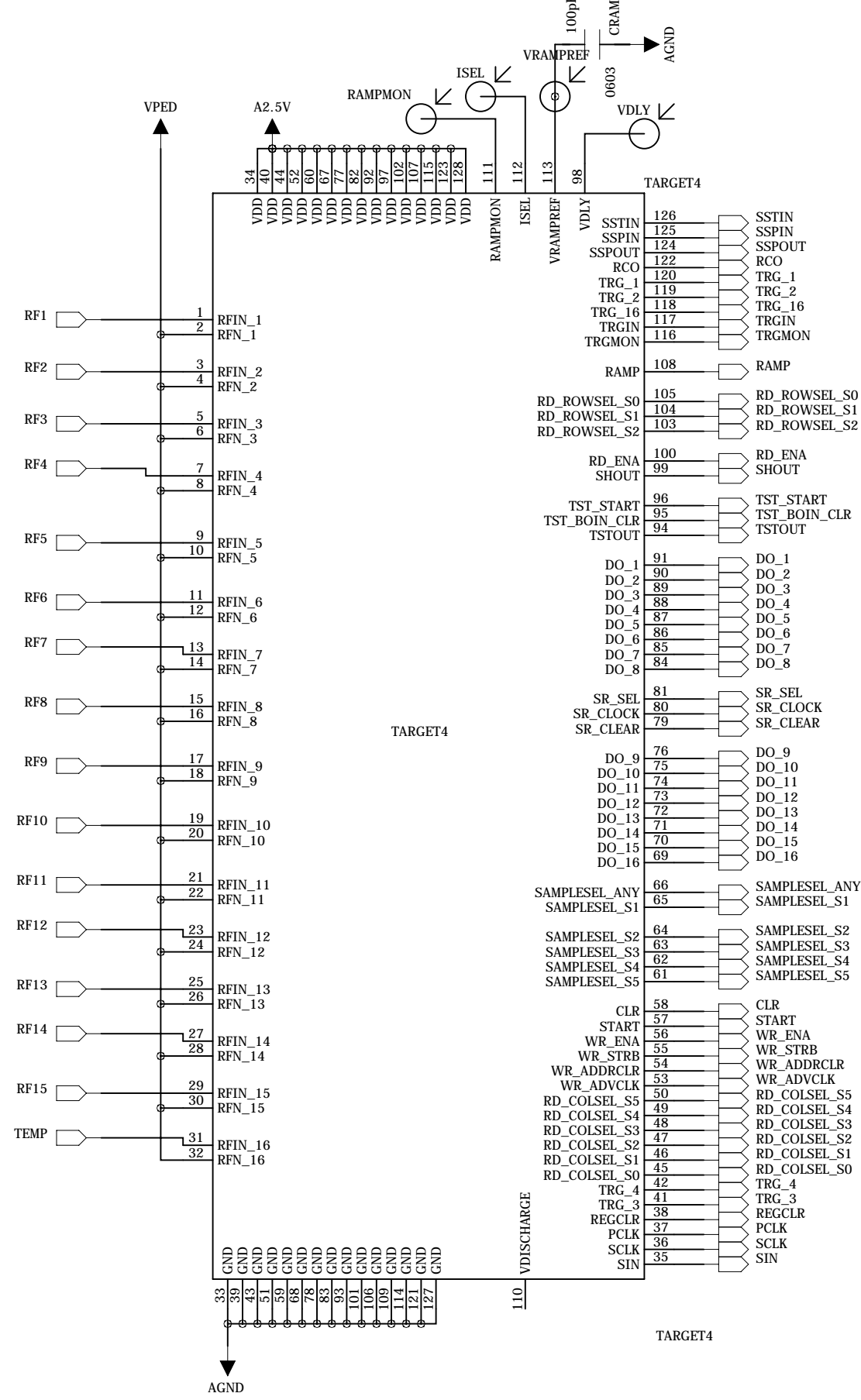
A

A



institution:	University of Hawaii at Manoa High Energy Physics Lab Instrumentation Development Lab
title:	T4 KLM Readout Daughtercard
revision:	A2
IDLAB design #:	IDL_12_033
circuit design:	GSV
PCB design:	XS
sheet #:	1 of 4
sheet description:	
date last modified:	11-13-2012

Cramp needs to be connected to pin 113 (VRAMPREF).  
 Test 200pF Cramp and get close to 5us ramp.



institution:	University of Hawaii at Manoa High Energy Physics Lab Instrumentation Development Lab
title:	T4 KLM Readout Daughtercard
revision:	A2
IDLAB design #:	IDL_12_033
circuit design:	GSV
PCB design:	XS
sheet #:	2 of 4
sheet description:	
date last modified:	11-13-2012

E

E

D

D

C

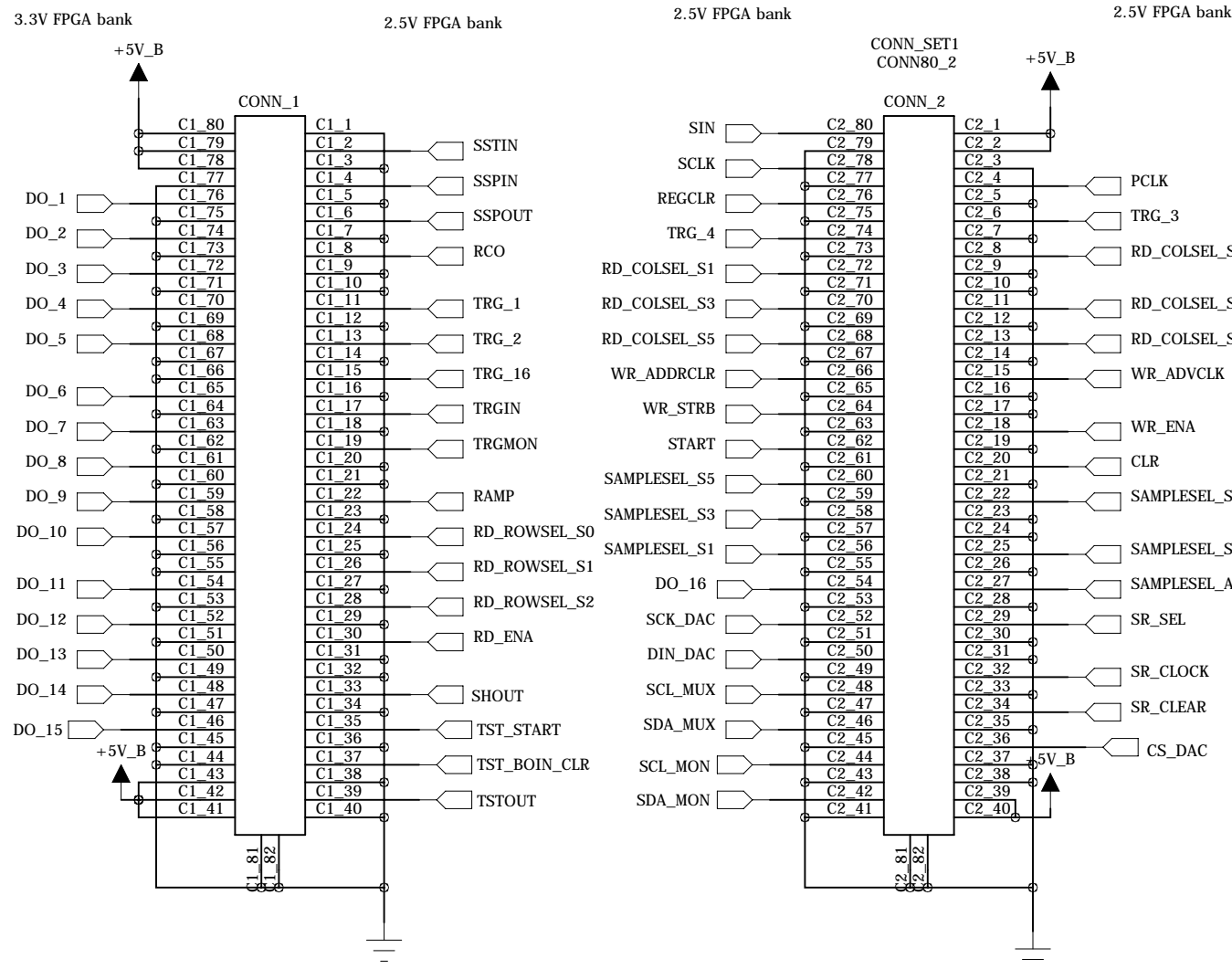
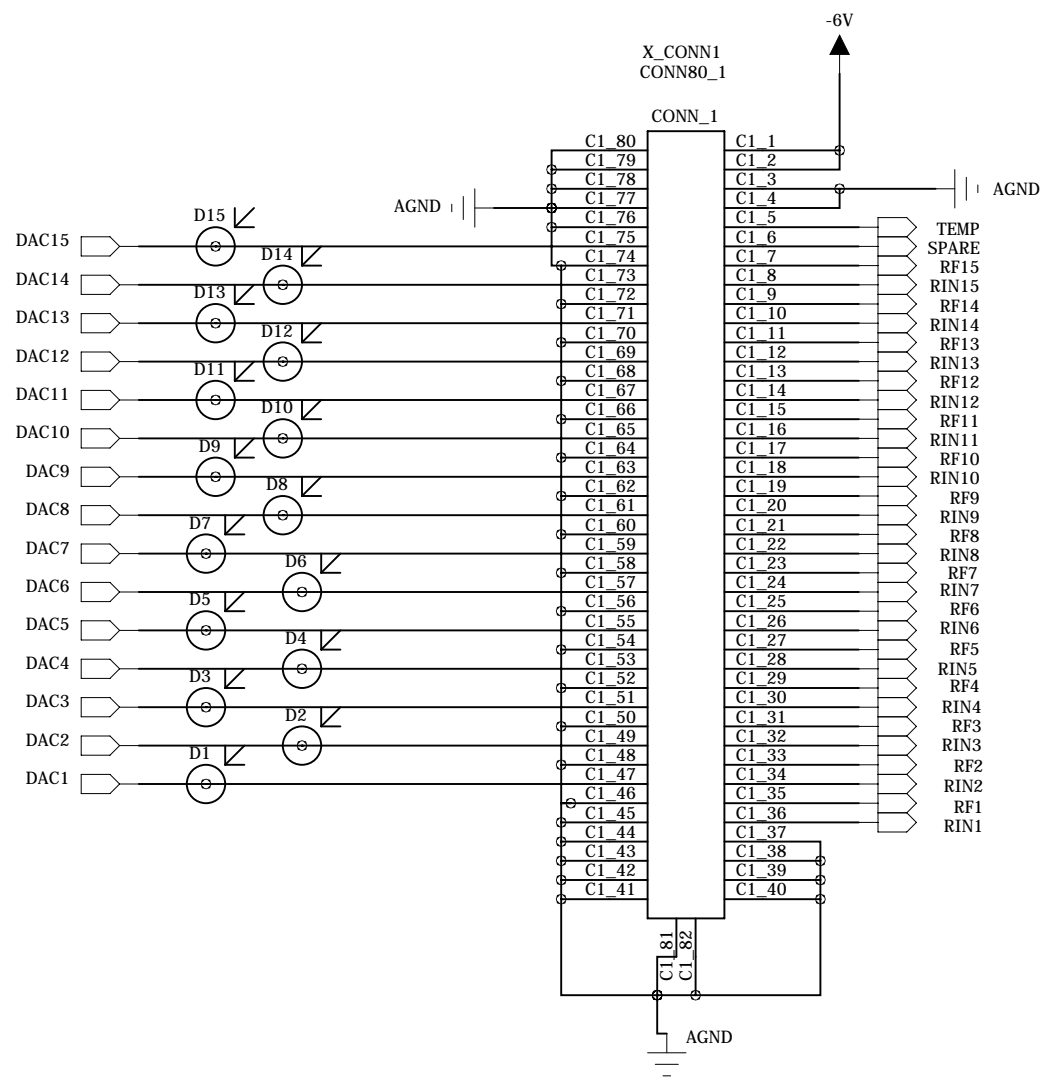
C

B

B

A

A



institution:	University of Hawaii at Manoa High Energy Physics Lab Instrumentation Development Lab
title:	T4 KLM Readout Daughtercard
revision:	A2
IDLAB design #:	IDL_12_033
circuit design:	GSV
PCB design:	XS
sheet #:	3 of 4
sheet description:	
date last modified:	11-13-2012

6

5

4

3

2

1

E

E

D

D

C

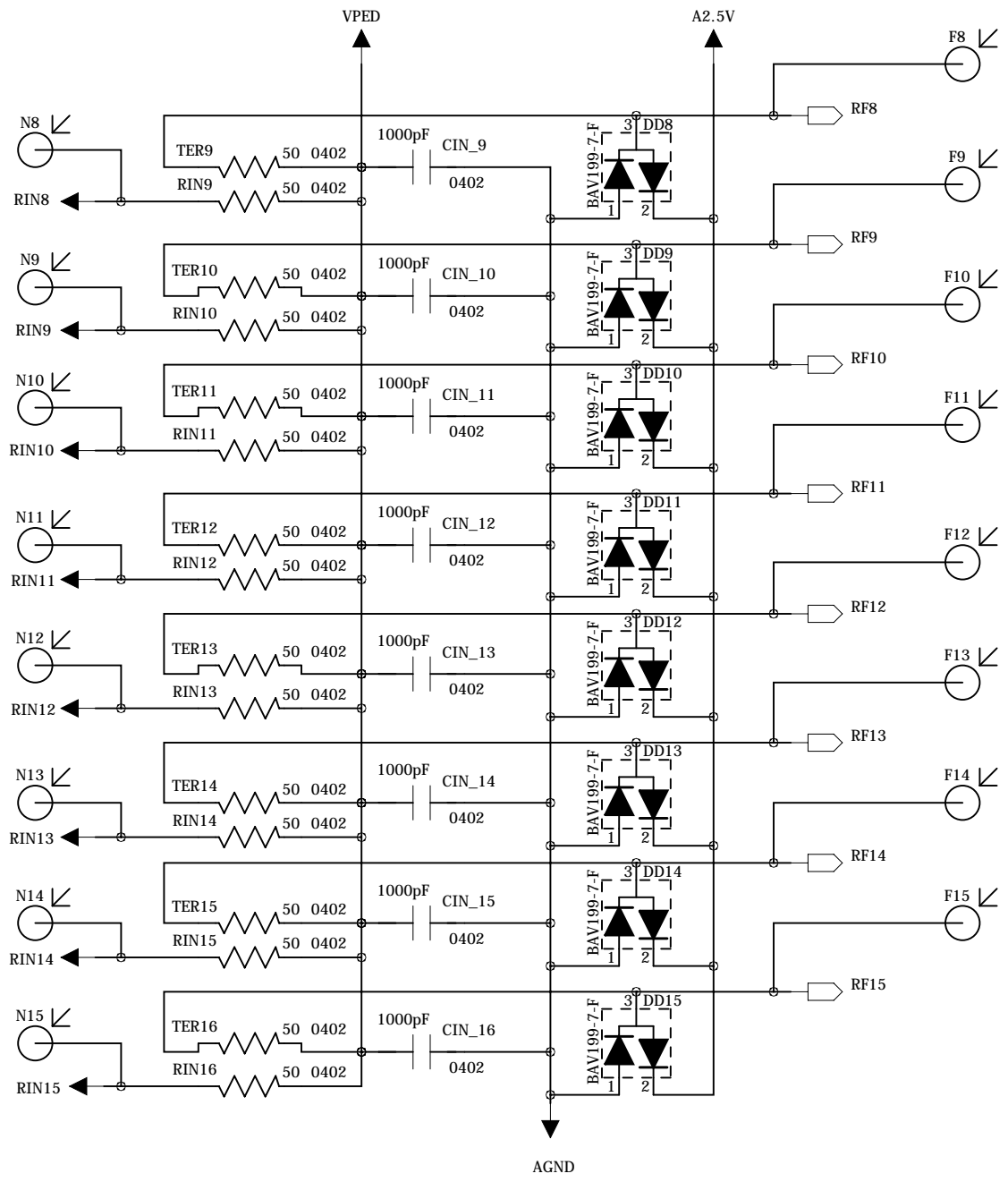
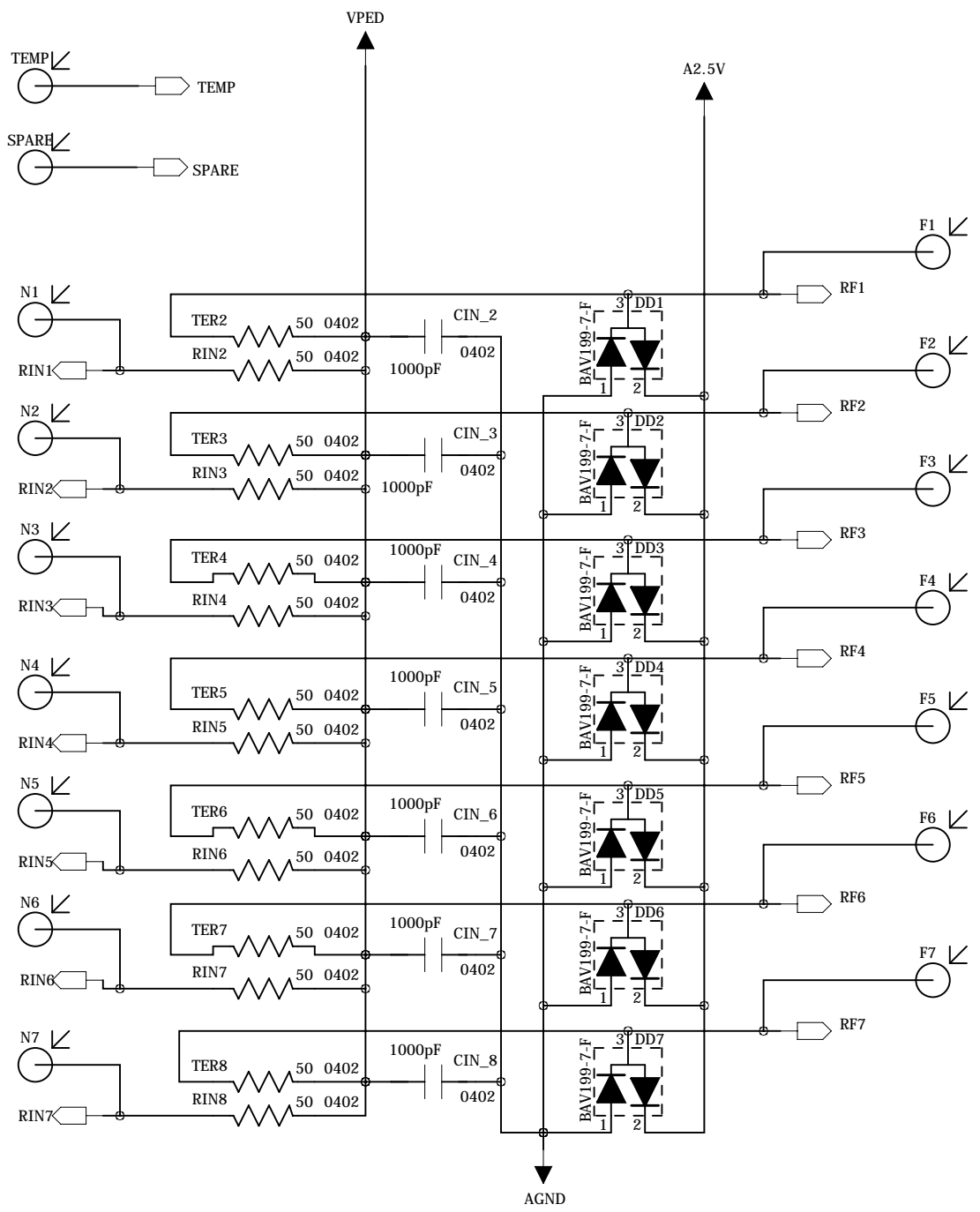
C

B

B

A

A



institution:	University of Hawaii at Manoa High Energy Physics Lab Instrumentation Development Lab
title:	T4 KLM Readout Daughtercard
revision:	A2
IDLAB design #:	IDL_12_033
circuit design:	GSV
PCB design:	XS
sheet #:	4 of 4
sheet description:	
date last modified:	11-13-2012