

6

5

4

3

2

1

E

D

C

B

A

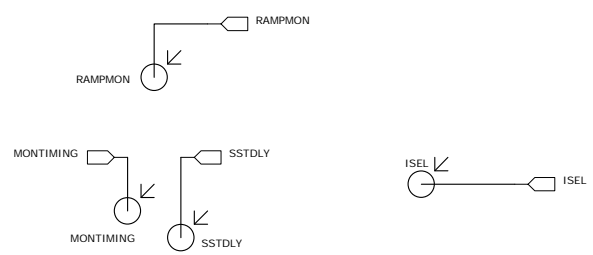
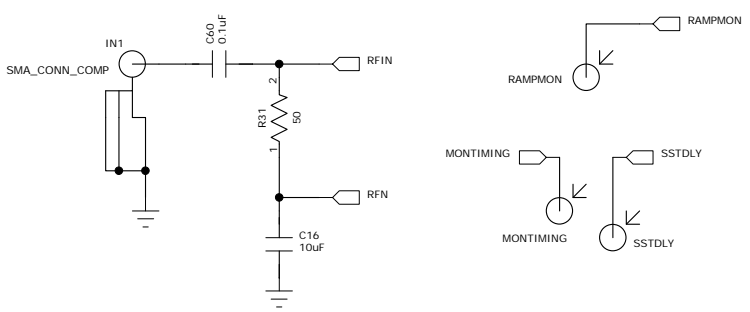
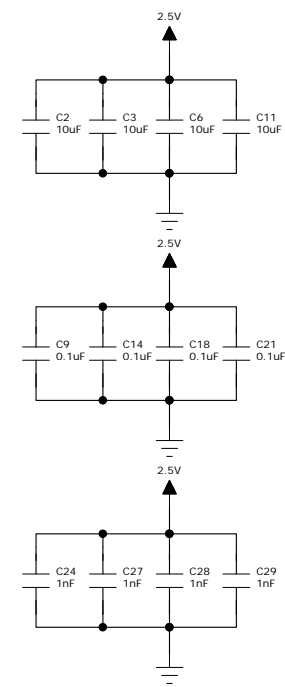
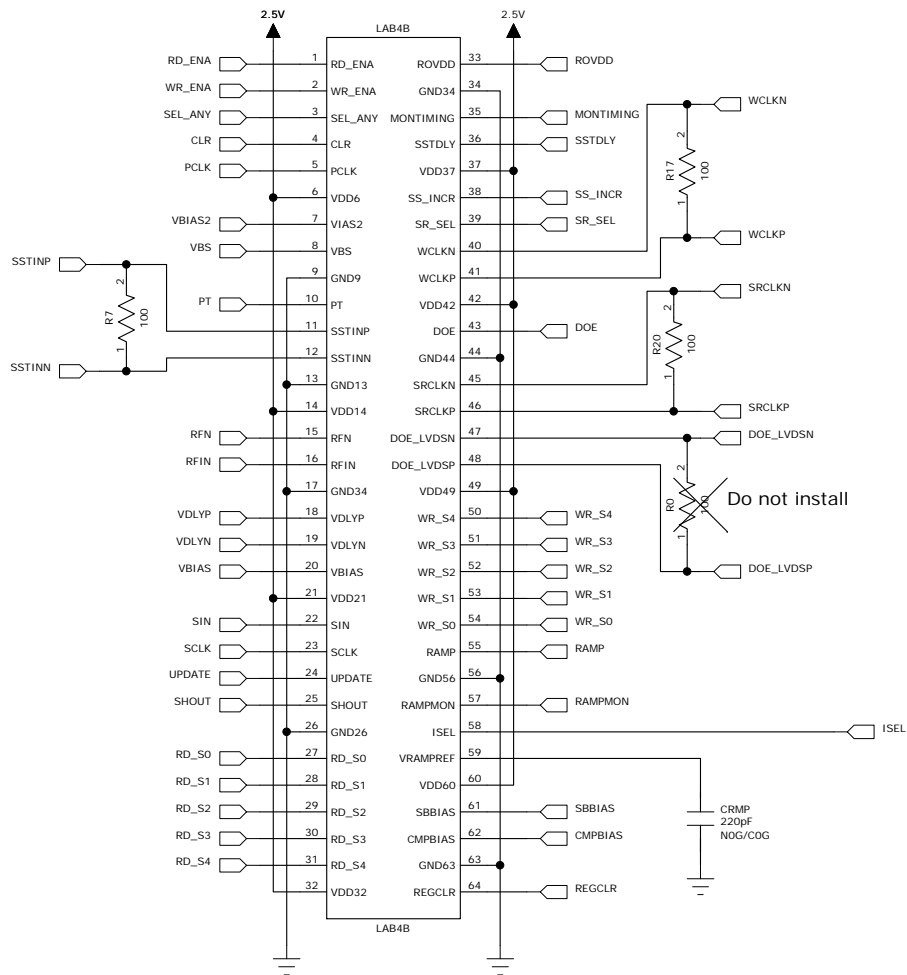
E

D

C

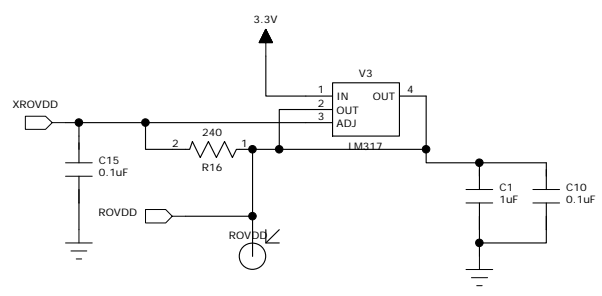
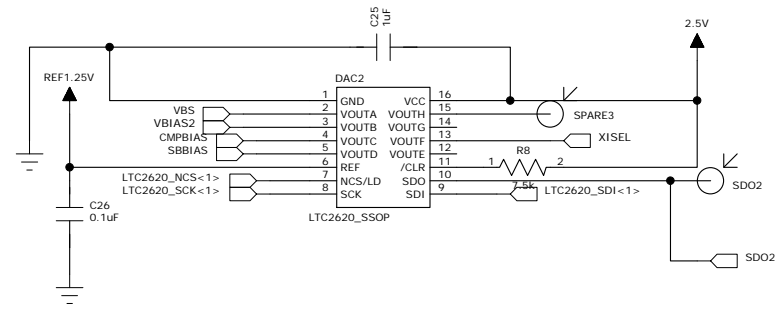
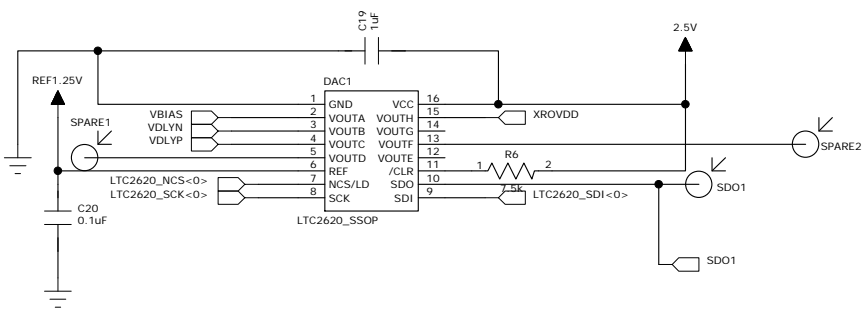
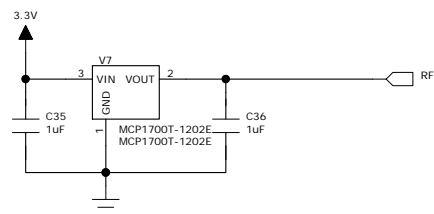
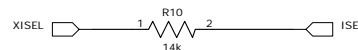
B

A



institution:	University of Hawai`i at Manoa High Energy Physics Group Instrument Development Lab
title:	LAB4B_LPC_FMC
revision:	A
IDLAB design #:	IDL_12_034
circuit design:	LBR/GSV
PCB design:	LBR/GSV
sheet #:	1 of 4
sheet description:	LAB4B
date last modified:	2013-1-14

Install 68k and set XISEL to GND for ext R operation



institution:	University of Hawai`i at Manoa High Energy Physics Group Instrument Development Lab
title:	LAB4B_LPC_FMC
revision:	A
IDLAB design #:	IDL_12_034
circuit design:	LBR/GSV
PCB design:	LBR/GSV
sheet #:	2 of 4
sheet description:	DACs
date last modified:	2013-1-14

6

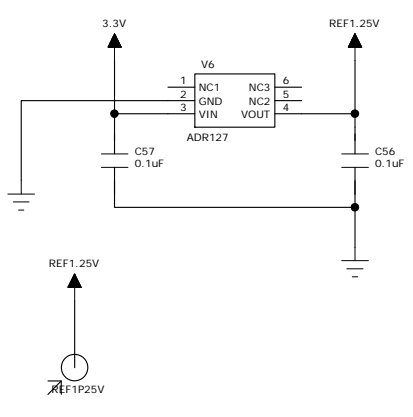
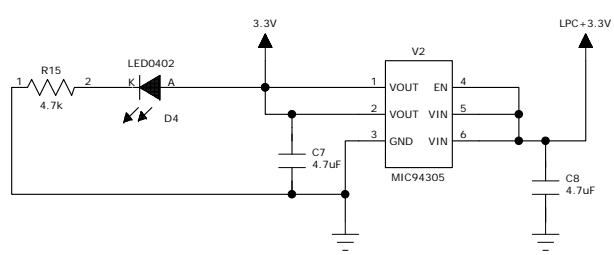
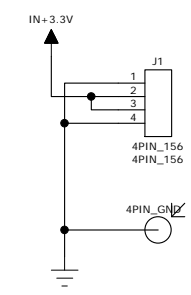
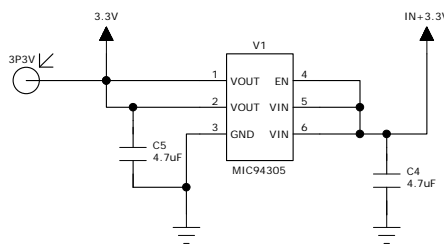
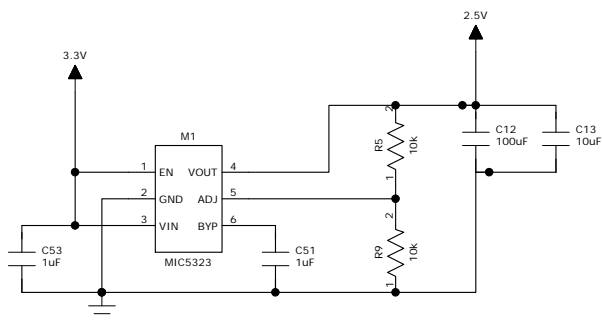
5

4

3

2

1



institution:	University of Hawai`i at Manoa High Energy Physics Group Instrument Development Lab
title:	LAB4B_LPC_FMC
revision:	A
IDLAB design #:	IDL_12_034
circuit design:	LBR/GSV
PCB design:	LBR/GSV
sheet #:	3 of 4
sheet description:	POWER
date last modified:	2013-1-14

6

5

4

3

2

1

E

E

D

D

C

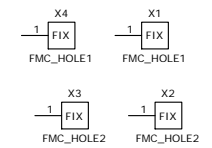
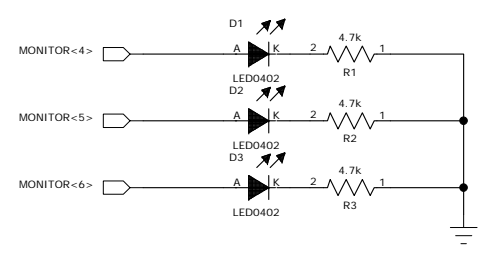
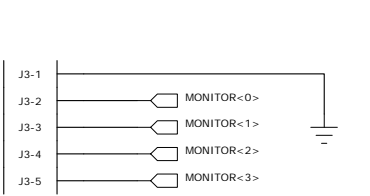
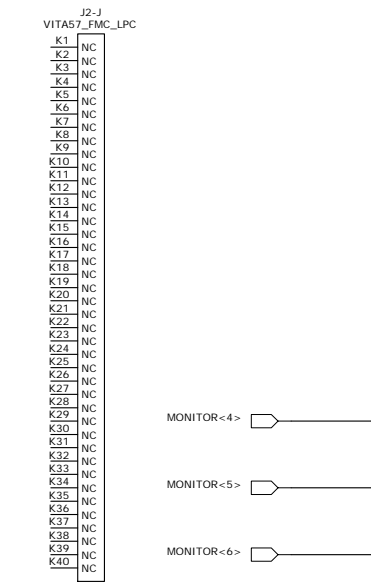
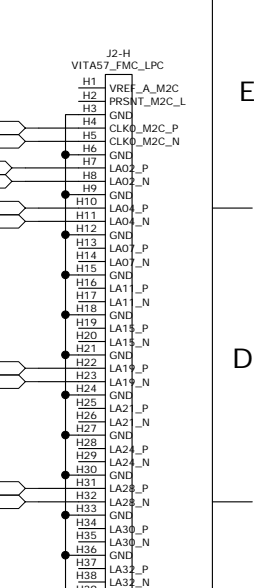
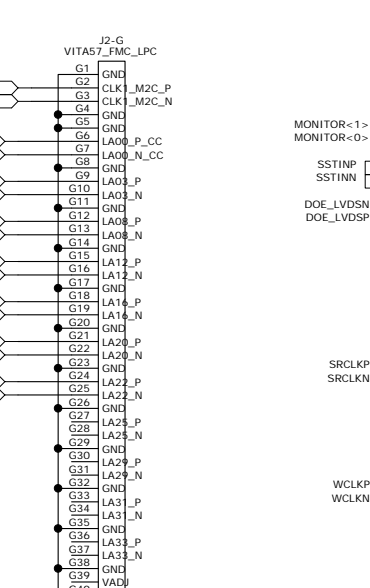
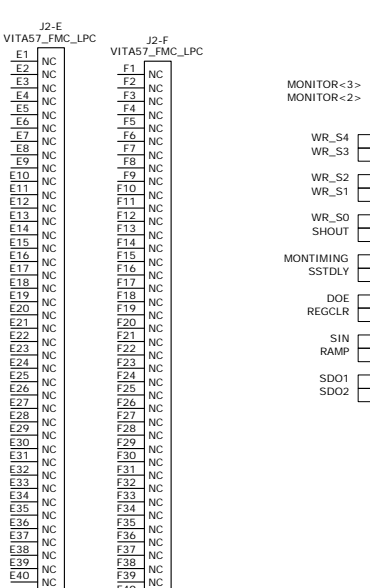
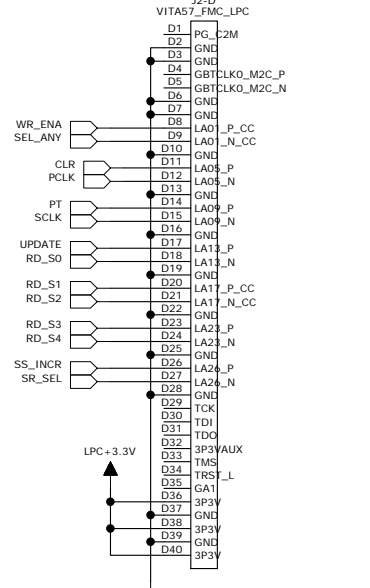
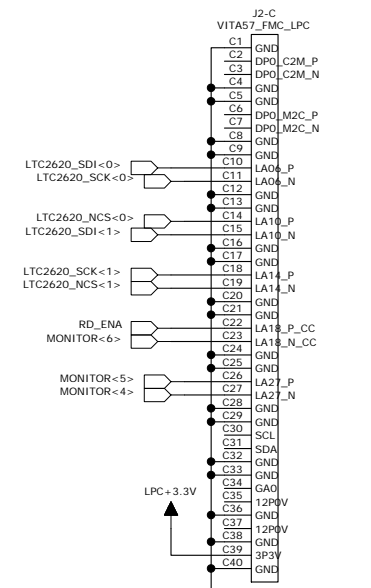
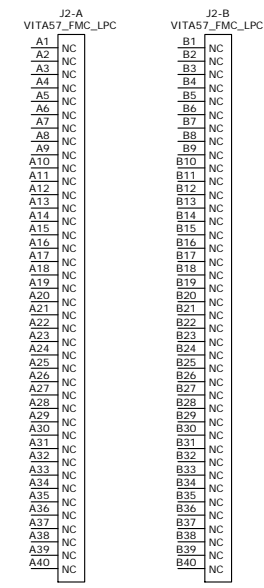
C

B

B

A

A



institution: University of Hawai'i at Manoa  
 High Energy Physics Group  
 Instrument Development Lab

title: LAB4B\_LPC\_FMC  
 revision: A  
 IDLAB design #: IDL\_12\_034  
 circuit design: LBR/GSV  
 PCB design: LBR/GSV

sheet #: 4 of 4  
 sheet description: FMC  
 date last modified: 2013-1-14