

E

D

C

B

A

6

5

4

3

2

1

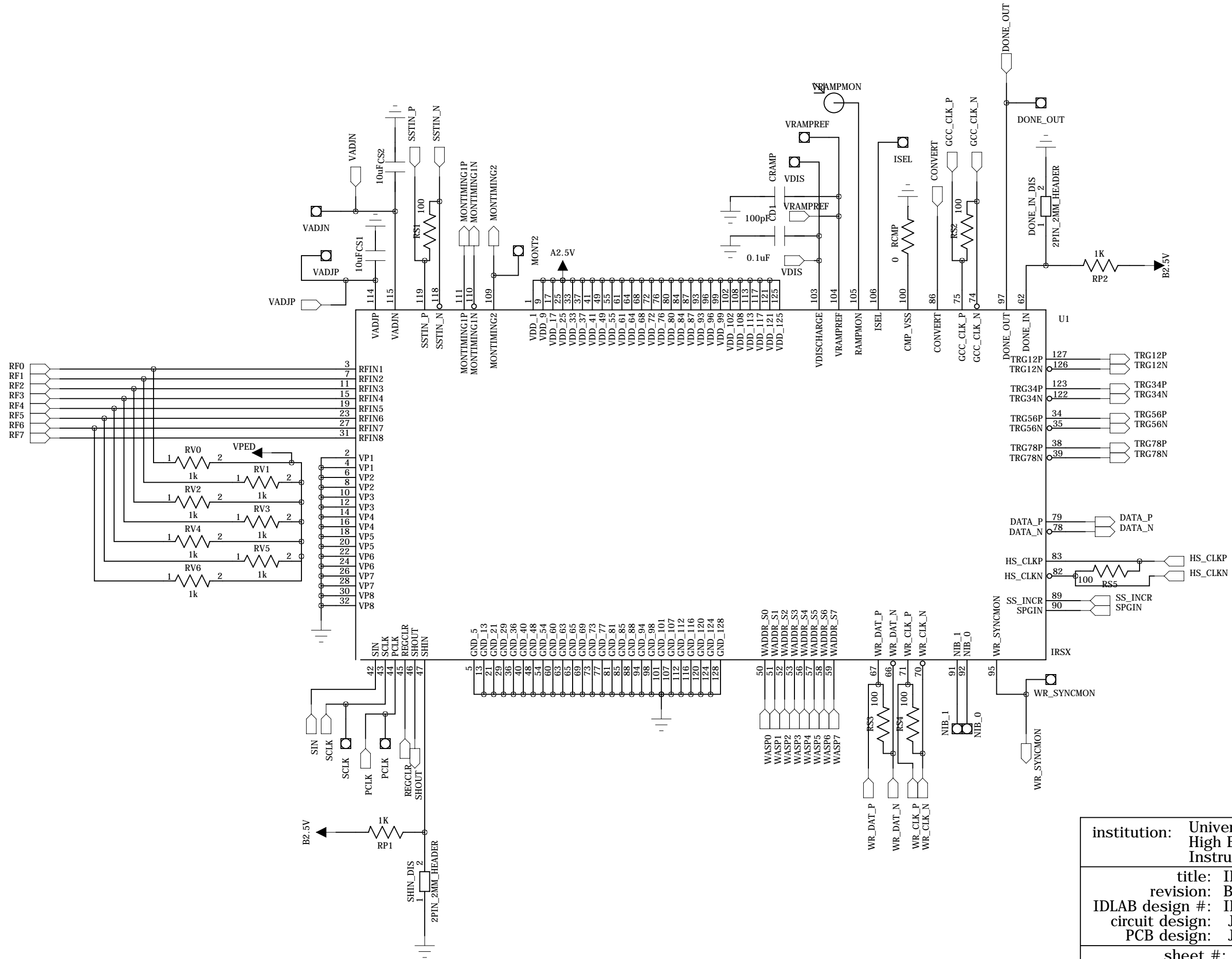
E

D

C

B

A



institution: University of Hawaii at Manoa
 High Energy Physics Lab
 Instrumentation Development Lab

title: IRSX Reference Schematic
 revision: B
 IDLAB design #: IDL_14_027
 circuit design: JLB, GSV, GV, MZA
 PCB design: JLB

sheet #: 1 of 7
 sheet description: ASIC_IRSX
 date last modified: Aug 24, 2014

6

5

4

3

2

1

E

E

D

D

C

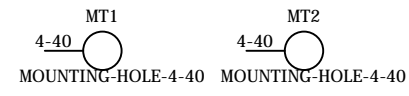
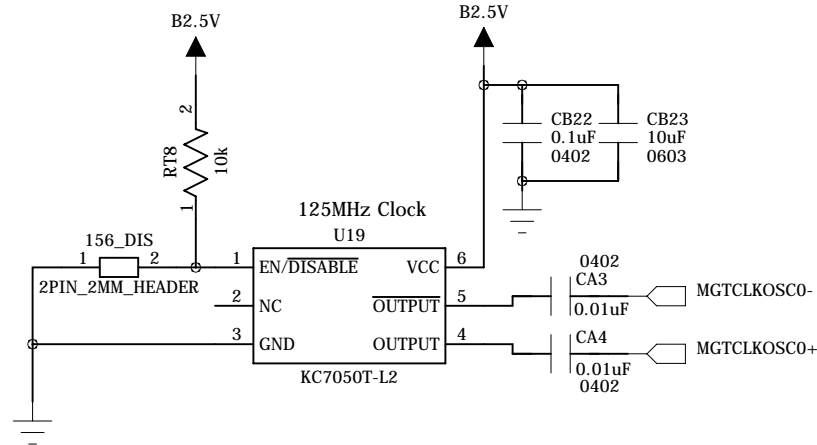
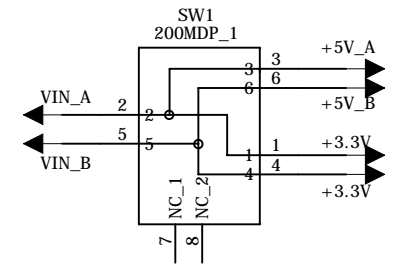
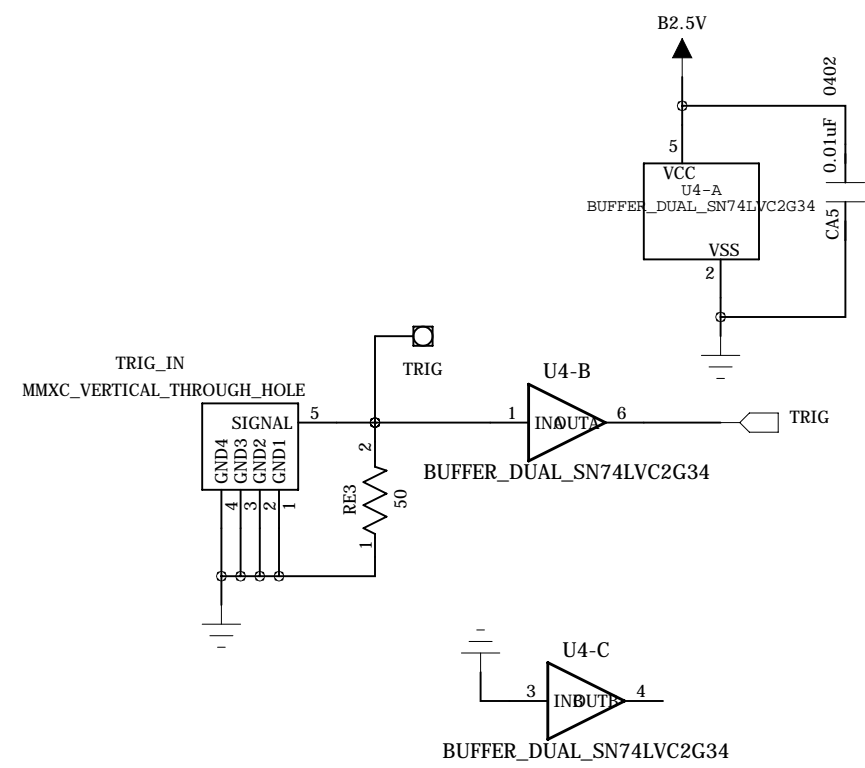
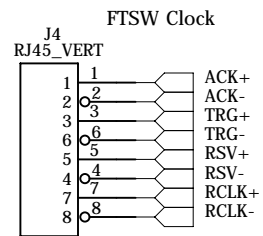
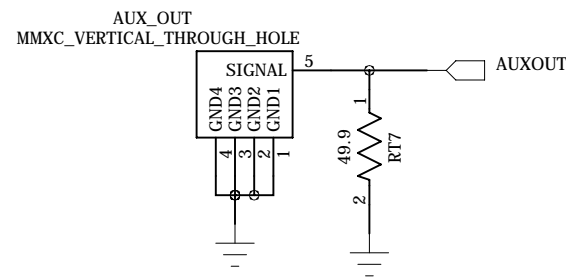
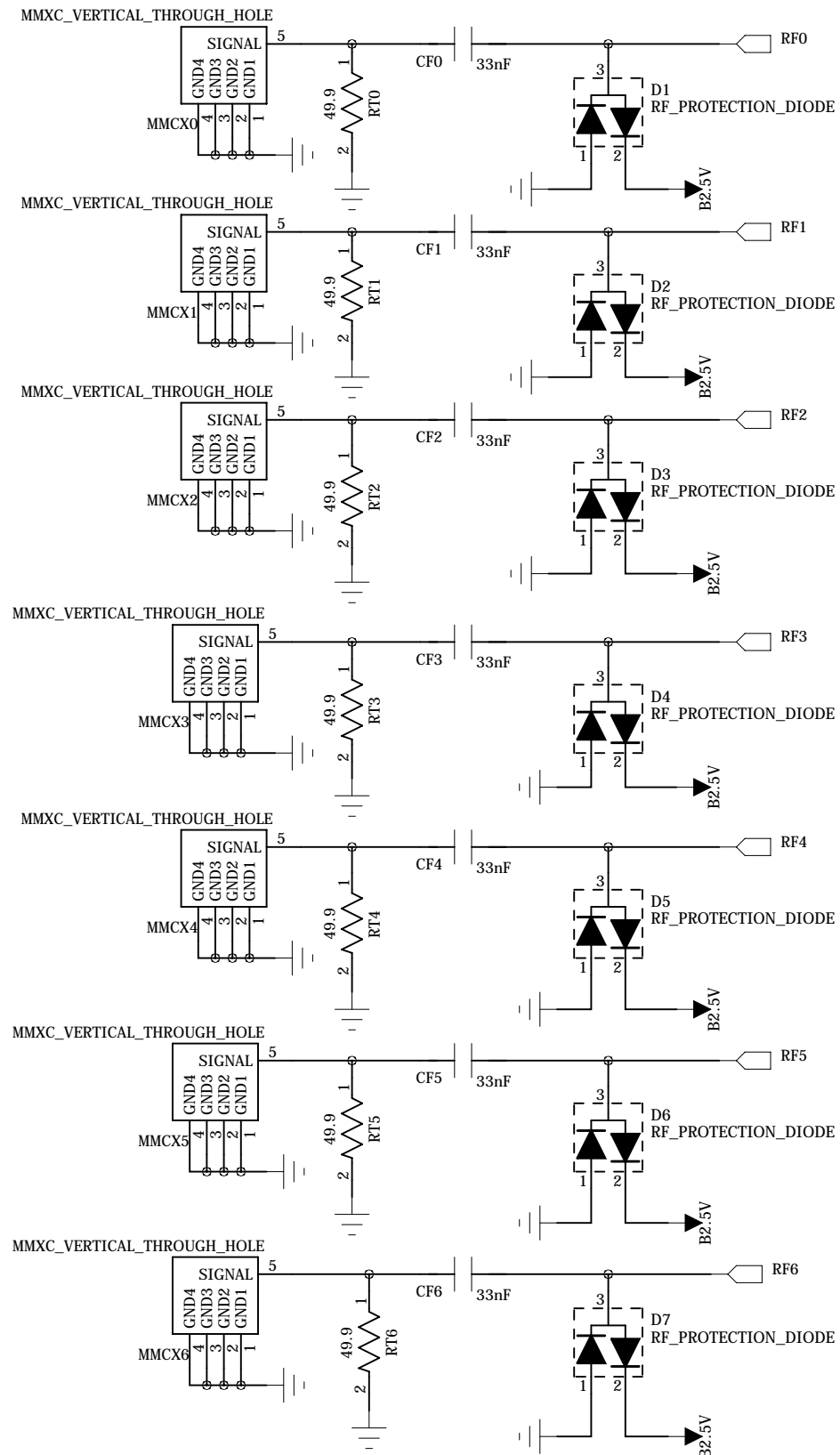
C

B

B

A

A



institution: University of Hawaii at Manoa
 High Energy Physics Lab
 Instrumentation Development Lab

title: IRSX Reference Schematic
 revision: B
 IDLAB design #: IDL_14_027
 circuit design: JLB, GSV, GV, MZA
 PCB design: JLB

sheet #: 2 of 7
 sheet description: Connectors
 date last modified: Aug 24, 2014

6

5

4

3

2

1

E

E

D

D

C

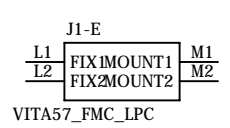
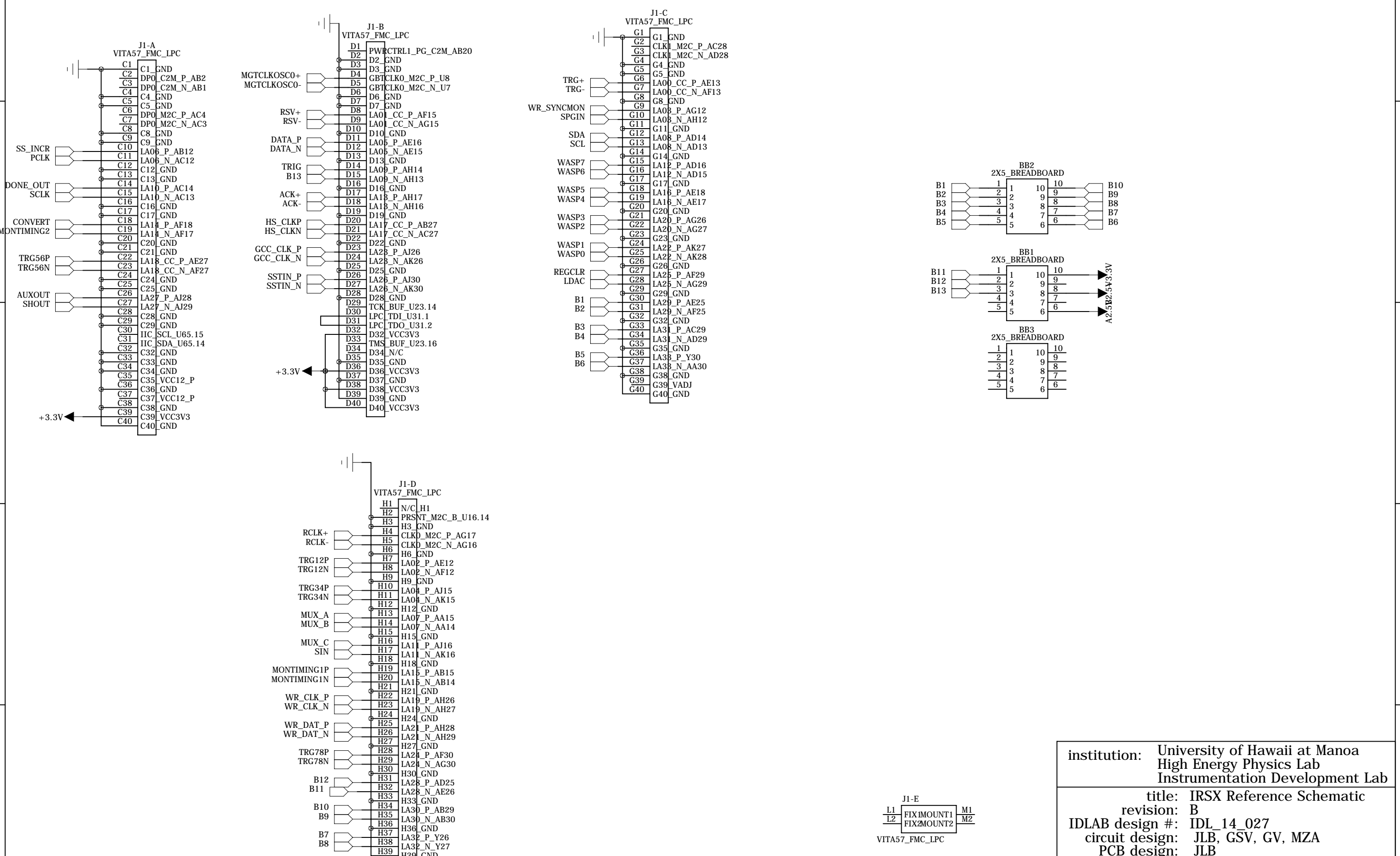
C

B

B

A

A



institution: University of Hawaii at Manoa
High Energy Physics Lab
Instrumentation Development Lab

title: IRSX Reference Schematic

revision: B

IDLAB design #: IDL_14_027

circuit design: JLB, GSV, GV, MZA

PCB design: JLB

sheet #: 3 of 7

sheet description: FMC LPC Connector

date last modified: Aug 24, 2014

6

5

4

3

2

1

E

E

D

D

C

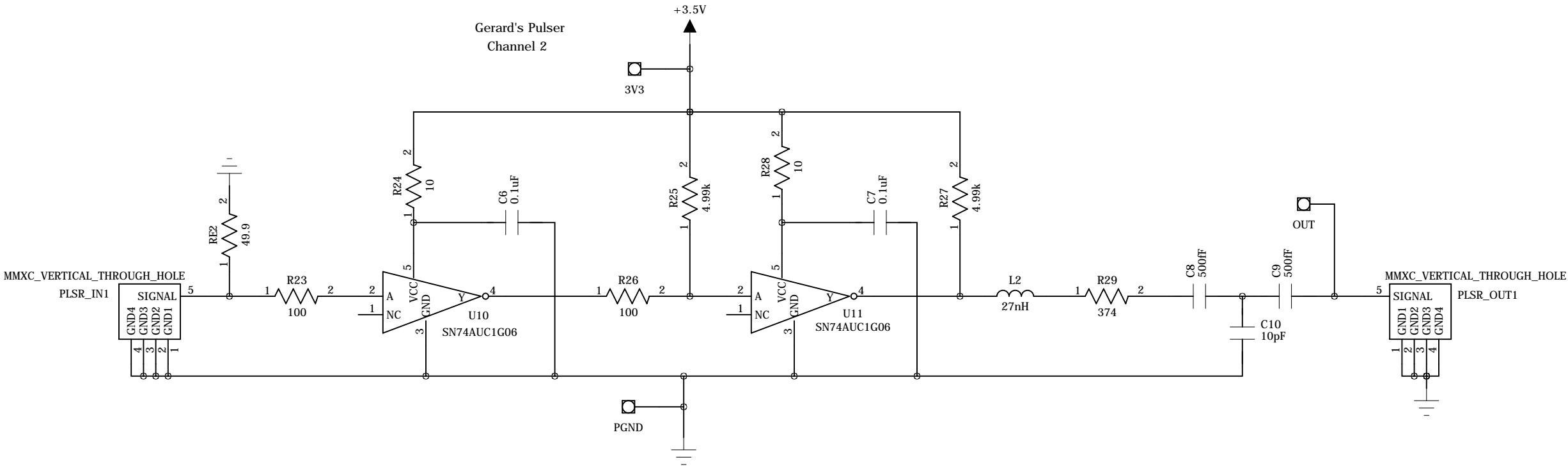
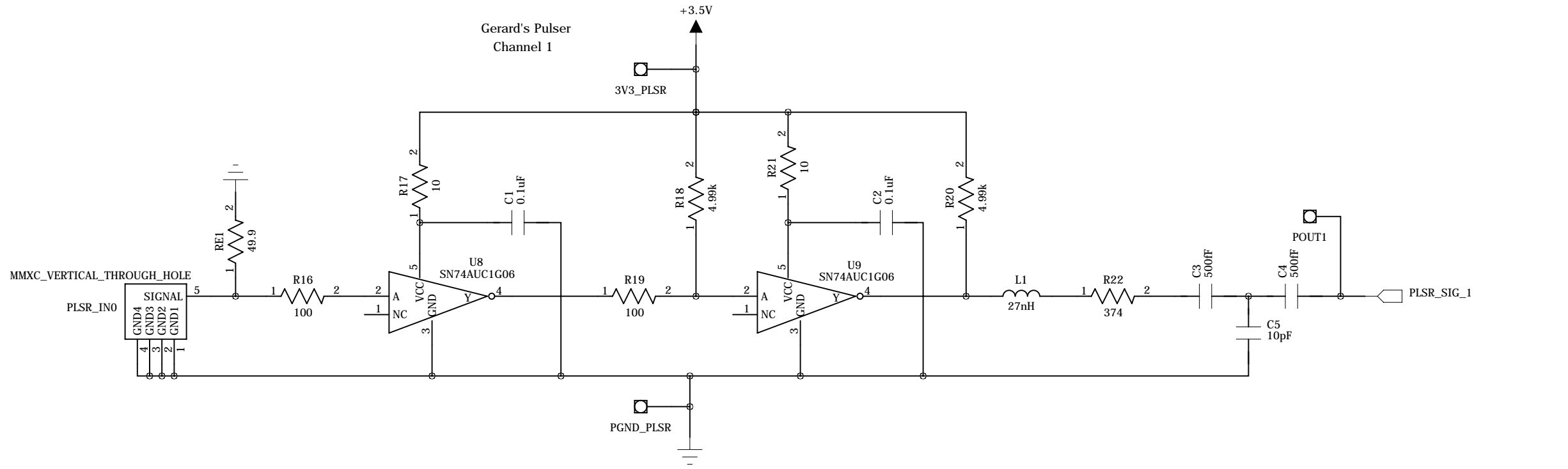
C

B

B

A

A



institution:	University of Hawaii at Manoa High Energy Physics Lab Instrumentation Development Lab
title:	IRSX Reference Schematic
revision:	B
IDLAB design #:	IDL_14_027
circuit design:	JLB, GSV, GV, MZA
PCB design:	JLB

sheet #:	4 of 7
sheet description:	Pulser
date last modified:	Aug 24, 2014

6

5

4

3

2

1

E

E

D

D

C

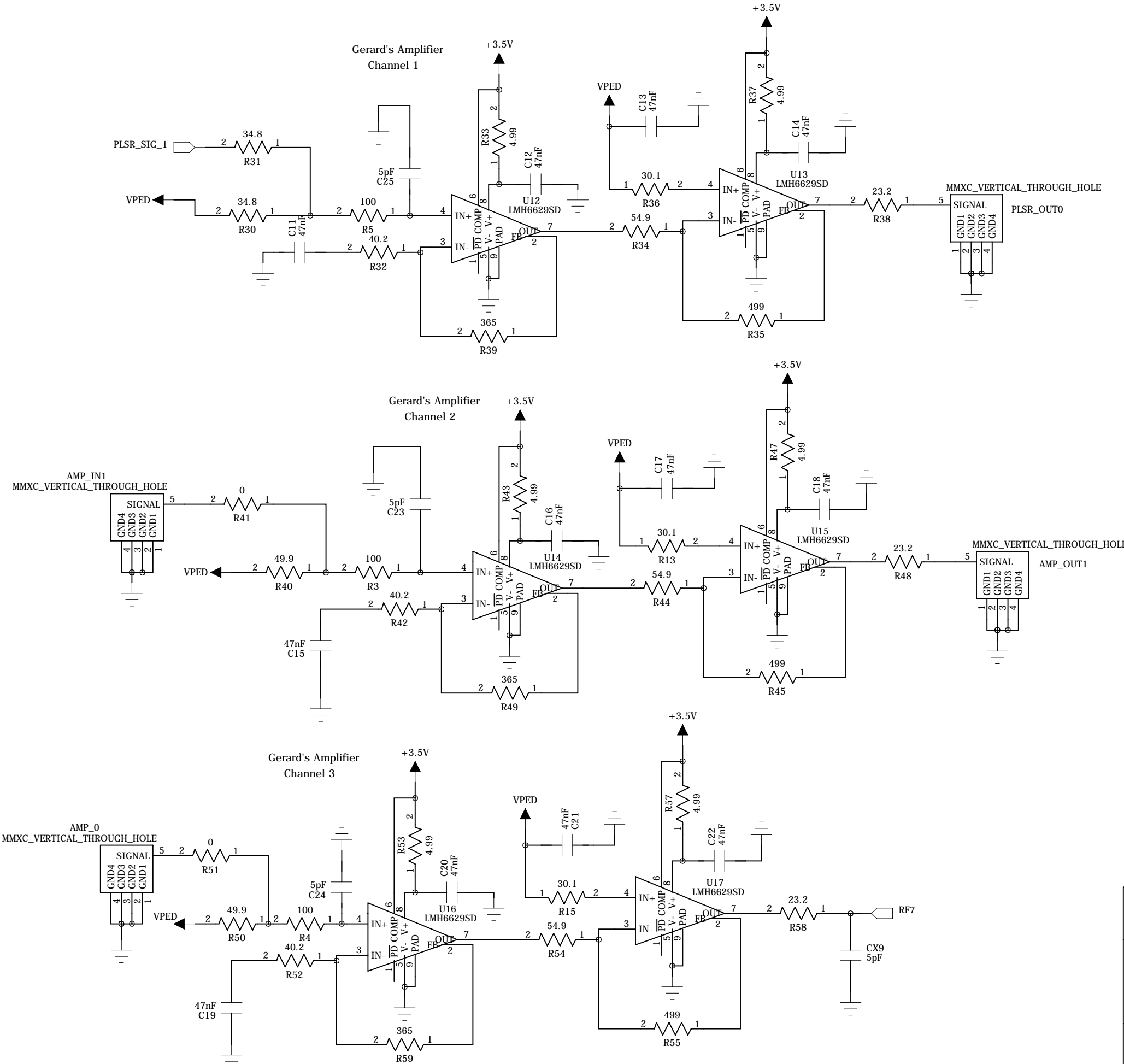
C

B

B

A

A



institution:	University of Hawaii at Manoa High Energy Physics Lab Instrumentation Development Lab
title:	IRSX Reference Schematic
revision:	B
IDLAB design #:	IDL_14_027
circuit design:	JLB, GSV, GV, MZA
PCB design:	JLB
sheet #:	5 of 7
sheet description:	2 Stage Amp
date last modified:	Aug 24, 2014

6

5

4

3

2

1

E

E

D

D

C

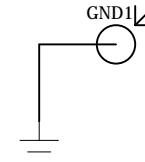
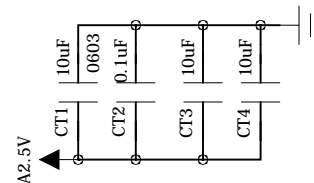
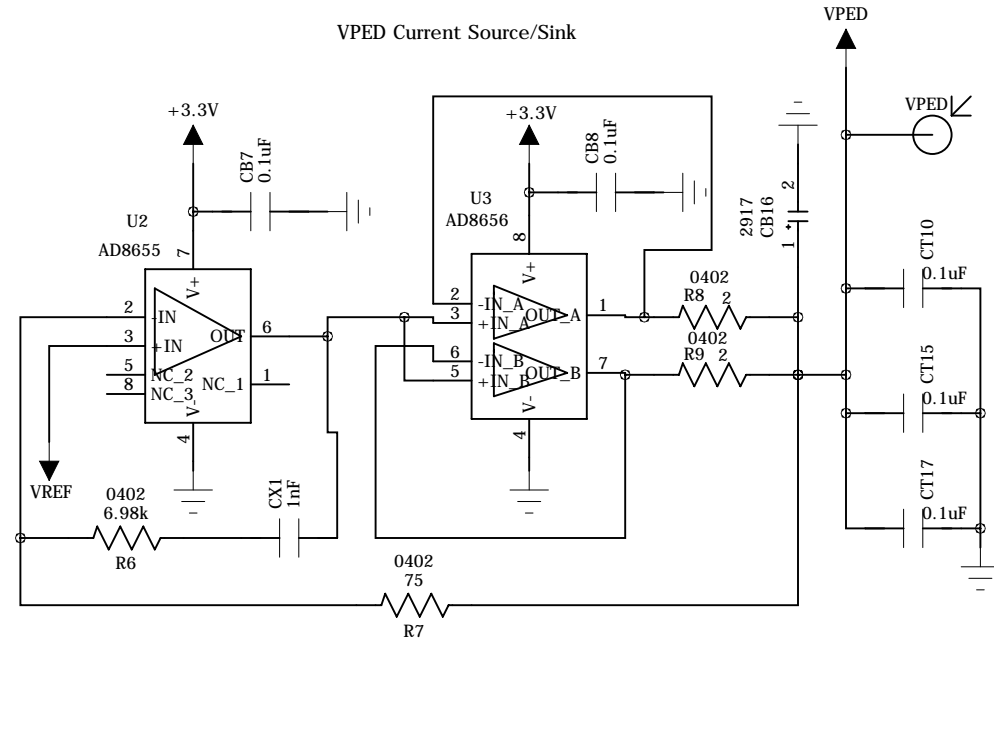
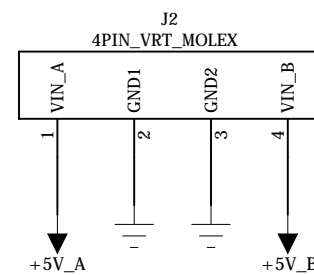
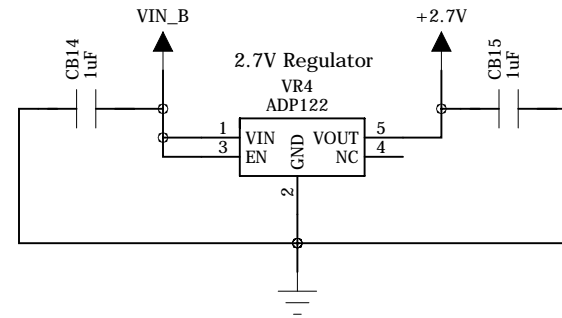
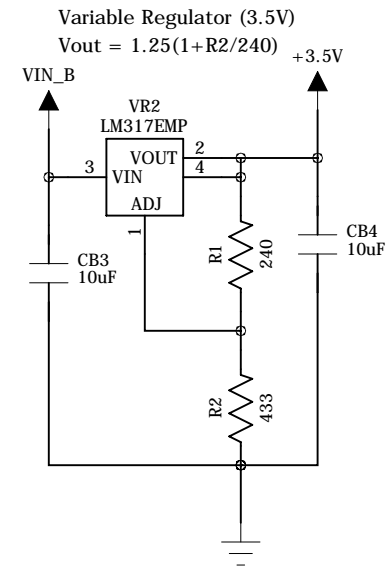
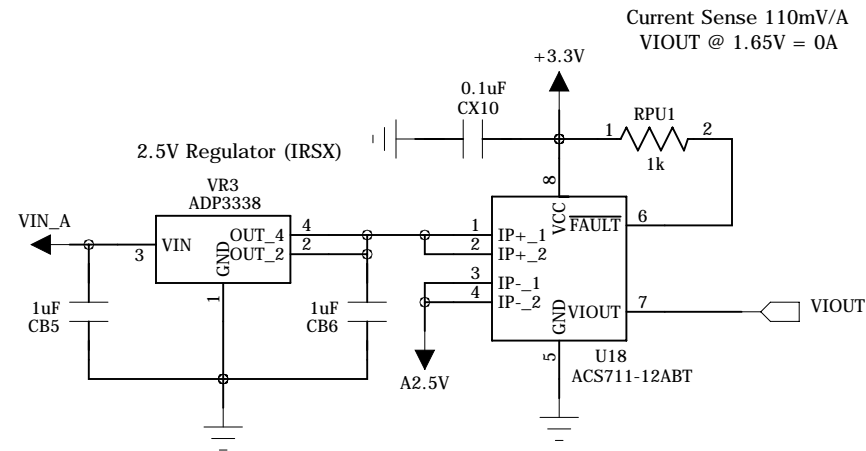
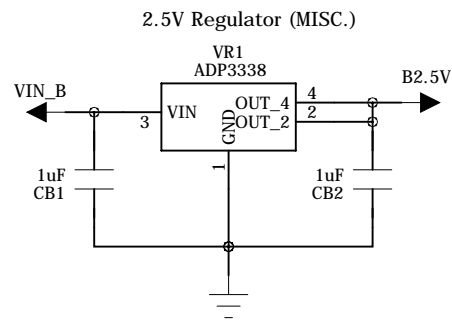
C

B

B

A

A



institution:	University of Hawaii at Manoa High Energy Physics Lab Instrumentation Development Lab
title:	IRSX Reference Schematic
revision:	B
IDLAB design #:	IDL_14_027
circuit design:	JLB, GSV, GV, MZA
PCB design:	JLB
sheet #:	7 of 7
sheet description:	Power
date last modified:	Aug 24, 2014